



US00D775627S

(12) **United States Design Patent**
Yang et al.

(10) **Patent No.:** **US D775,627 S**
(45) **Date of Patent:** **** Jan. 3, 2017**

- (54) **MOBILE DEVICE DOCK**
- (71) Applicant: **Analogix Semiconductor, Inc.**, Santa Clara, CA (US)
- (72) Inventors: **Kewei Yang**, Saratoga, CA (US);
André Bouwer, San Jose, CA (US);
Marvin Su, Palo Alto, CA (US);
Soumendra Mohanty, San Jose, CA (US)
- (73) Assignee: **Analogix Semiconductor, Inc.**, Santa Clara, CA (US)

- D533,177 S 12/2006 Andre et al.
 - D537,817 S 3/2007 Andre et al.
 - D542,288 S 5/2007 Andre et al.
 - D596,626 S 7/2009 Andre et al.
 - D601,583 S 10/2009 Andre et al.
 - D620,953 S 8/2010 Andre et al.
 - D624,541 S * 9/2010 Kemery D14/240
- (Continued)

FOREIGN PATENT DOCUMENTS

- CN 303454038 11/2015
 - CN 303542283 1/2016
- (Continued)

- (**) Term: **14 Years**
- (21) Appl. No.: **29/525,468**
- (22) Filed: **Apr. 29, 2015**

OTHER PUBLICATIONS

Notice of Allowance, Mailing Date Mar. 21, 2016, U.S. Appl. No. 14/734,950, filed Jun. 9, 2015.
(Continued)

Related U.S. Application Data

- (63) Continuation-in-part of application No. 14/624,521, filed on Feb. 17, 2015.
- (51) **LOC (10) Cl.** **14-02**
- (52) **U.S. Cl.**
USPC **D14/434**; D14/217; D14/357
- (58) **Field of Classification Search**
USPC D14/217, 218, 240, 250–253, 140, 142,
D14/149, 356–358, 432, 434, 447, 451,
D14/452, 496; D21/313; D13/103, 107,
D13/108; 455/557, 575.1; D16/242, 245;
D12/415
CPC H04M 1/00; H04M 1/04; H04M 1/06;
H04M 1/11; F16M 11/04; F16M 11/041;
B60R 11/02; B60R 11/0241; B60R
11/0258; B60R 11/0252
See application file for complete search history.

Primary Examiner — Susan Bennett Hattan
Assistant Examiner — Marie Fast Horse
(74) *Attorney, Agent, or Firm* — Carr & Ferrell LLP

(57) **CLAIM**

The ornamental design for a mobile device dock, as shown and described.

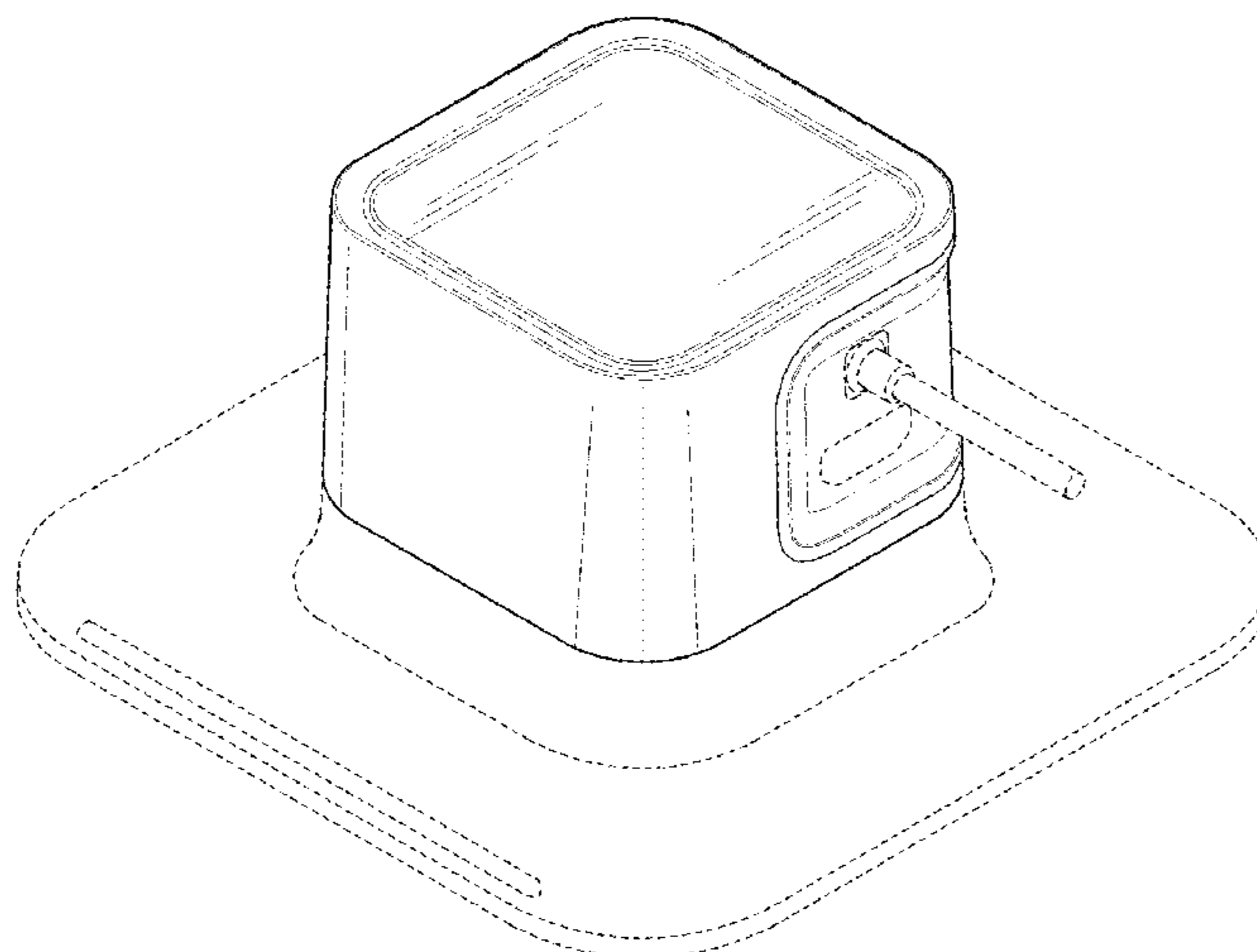
DESCRIPTION

FIG. 1 is a top perspective view of a mobile device dock showing the new design;
FIG. 2 is a front view thereof;
FIG. 3 is a rear view thereof;
FIG. 4 is a right side view thereof;
FIG. 5 is a left side view thereof;
FIG. 6 is a top view thereof; and,
FIG. 7 is a bottom view thereof.
The broken lines showing the remainder of the mobile device dock are directed to environment. None of the broken lines form a part of the claimed design.

- (56) **References Cited**
U.S. PATENT DOCUMENTS

- D297,316 S * 8/1988 Mastro D10/106.2
- D324,514 S * 3/1992 Ishida D14/358

1 Claim, 5 Drawing Sheets



(56)

References Cited

U.S. PATENT DOCUMENTS

D628,143 S * 11/2010 Riddiford D12/415
 D662,496 S 6/2012 Lewis et al.
 D676,005 S * 2/2013 Wood D14/125
 D686,201 S 7/2013 Lee
 D686,595 S 7/2013 Andre et al.
 D700,502 S * 3/2014 Smith D8/349
 D705,201 S 5/2014 Isaacs et al.
 D706,249 S * 6/2014 Holzer D14/240
 D716,363 S * 10/2014 Apter D16/245
 D724,583 S * 3/2015 Ge D14/356
 D726,690 S 4/2015 Andre et al.
 D727,360 S * 4/2015 Peng D14/203.1
 D736,191 S 8/2015 Jeon et al.
 D739,857 S * 9/2015 Lay D10/80
 D742,856 S 11/2015 Skjoldborg et al.
 D745,480 S 12/2015 Mathews et al.
 D748,639 S * 2/2016 Khodapanah D14/447
 D749,596 S * 2/2016 Khodapanah D14/447
 D754,110 S * 4/2016 Jung D14/240
 D755,880 S * 5/2016 Luo D16/214
 9,389,698 B2 7/2016 Bouwer et al.
 D762,734 S * 8/2016 Kwong D14/496
 D765,140 S * 8/2016 Peng D14/496
 D766,218 S 9/2016 Yang et al.
 2003/0094354 A1 5/2003 Badarneh
 2010/0057882 A1 3/2010 Haartsen et al.
 2011/0312272 A1 12/2011 Goto et al.
 2014/0104183 A1 4/2014 Caron et al.
 2014/0123253 A1 5/2014 Davis et al.
 2014/0173584 A1 6/2014 Gayrard et al.
 2014/0184471 A1 7/2014 Martynov et al.
 2014/0217816 A1 8/2014 Okada

2015/0029120 A1 1/2015 Sieckmann
 2015/0095786 A1 4/2015 Kreiner et al.
 2015/0187147 A1 7/2015 Tieman
 2015/0277744 A1 10/2015 Tang
 2015/0326707 A1 11/2015 Lee et al.
 2016/0162035 A1 6/2016 Bouwer et al.
 2016/0165026 A1 6/2016 Yang et al.

FOREIGN PATENT DOCUMENTS

JP D1440208 S 5/2012
 JP D1467865 S 5/2013
 WO DM088070 10/2015

OTHER PUBLICATIONS

Final Office Action, Mailing Date May 11, 2016, U.S. Appl. No. 14/624,521, filed Feb. 17, 2015.
 Notice of Allowance, Mailing Date May 25, 2016, U.S. Appl. No. 29/525,448, filed Apr. 29, 2015.
 Notice of Allowance dated Aug. 25, 2015 in Chinese Application No. 201530187861.0, filed Jun. 10, 2015.
 Notice of Allowance dated Oct. 15, 2015 in Chinese Application No. 201530187611.7, filed Jun. 10, 2015.
 Office Action dated Mar. 10, 2016 in Taiwanese Application No. 104306033, filed Oct. 27, 2015.
 Non-Final Office Action, Aug. 9, 2016, U.S. Appl. No. 14/624,521, filed Feb. 17, 2015.
 "Search Report for Design Patent Application" and "Allowance Decision" dated Aug. 30, 2016 in Taiwanese Application No. 104306033, filed Oct. 27, 2015, 3 pages [4 pages including translation].

* cited by examiner

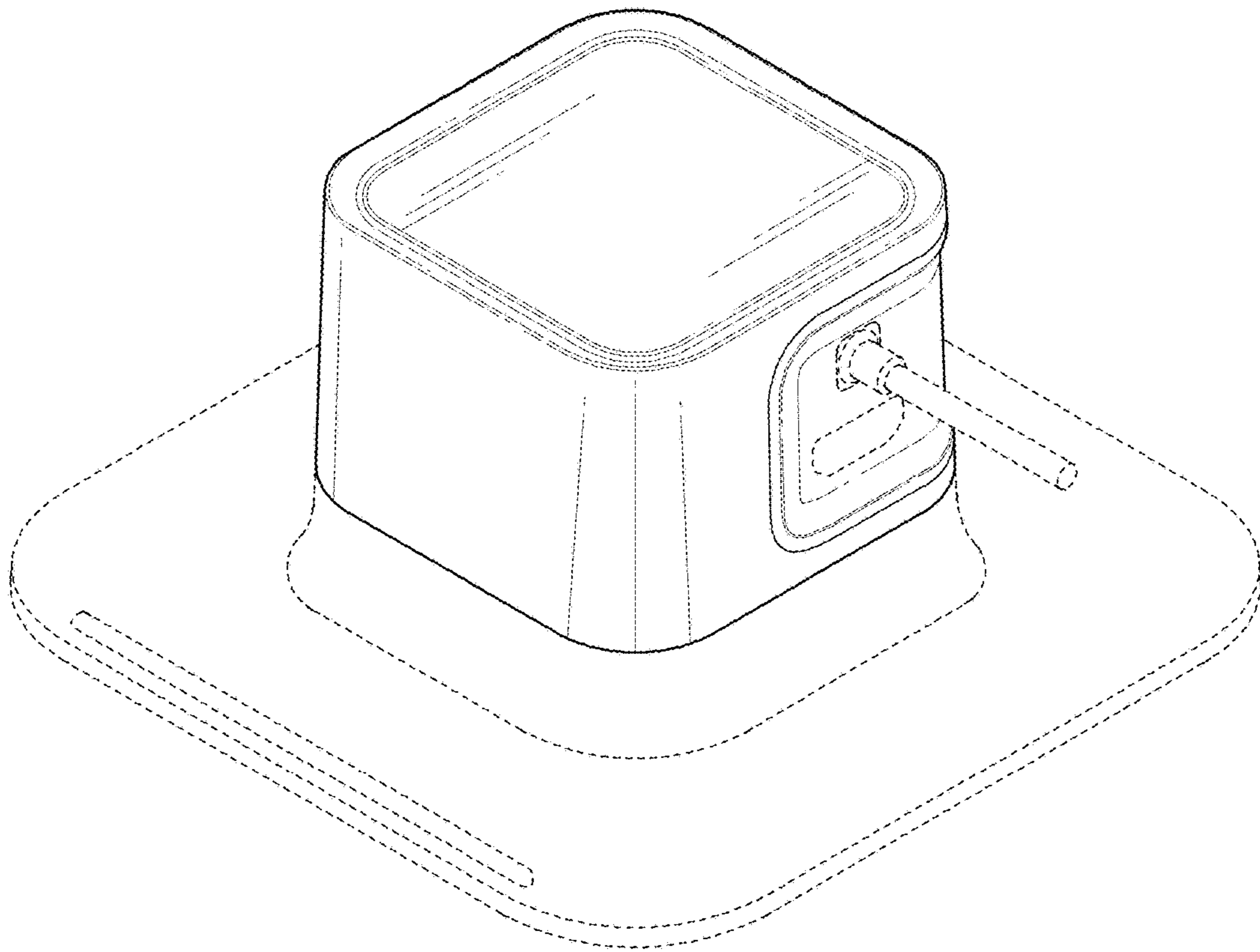


FIG. 1

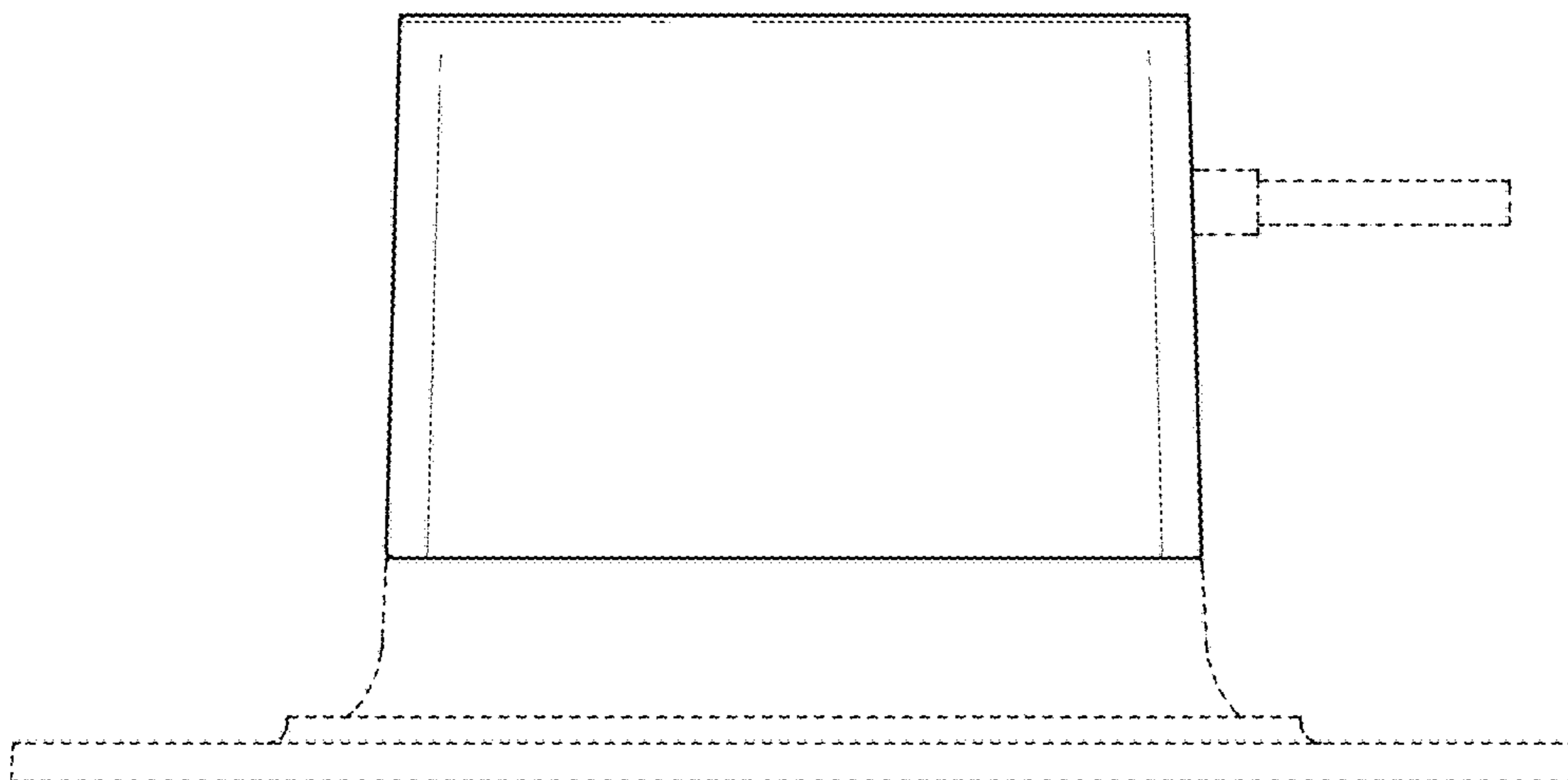


FIG. 2

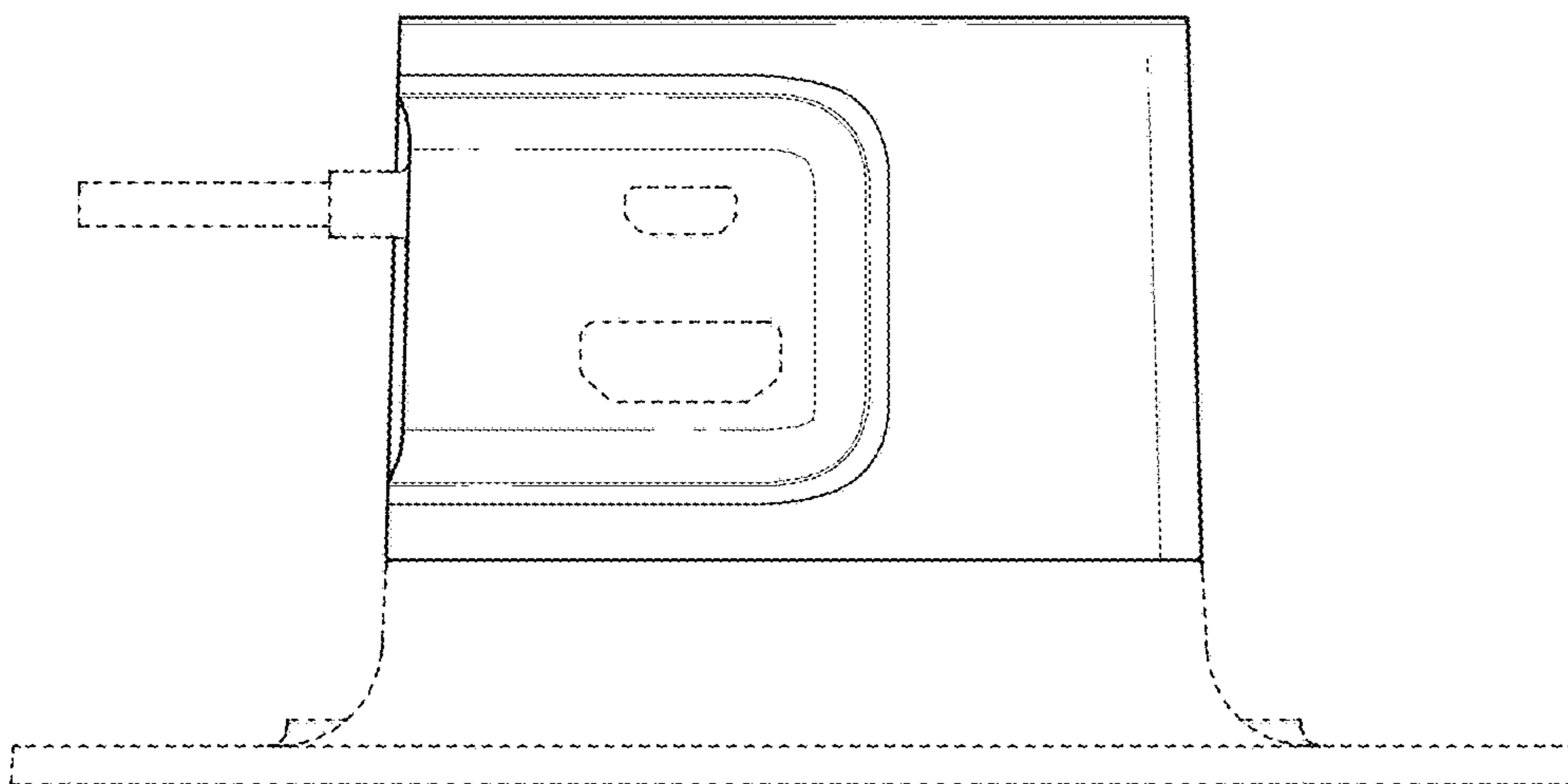


FIG. 3

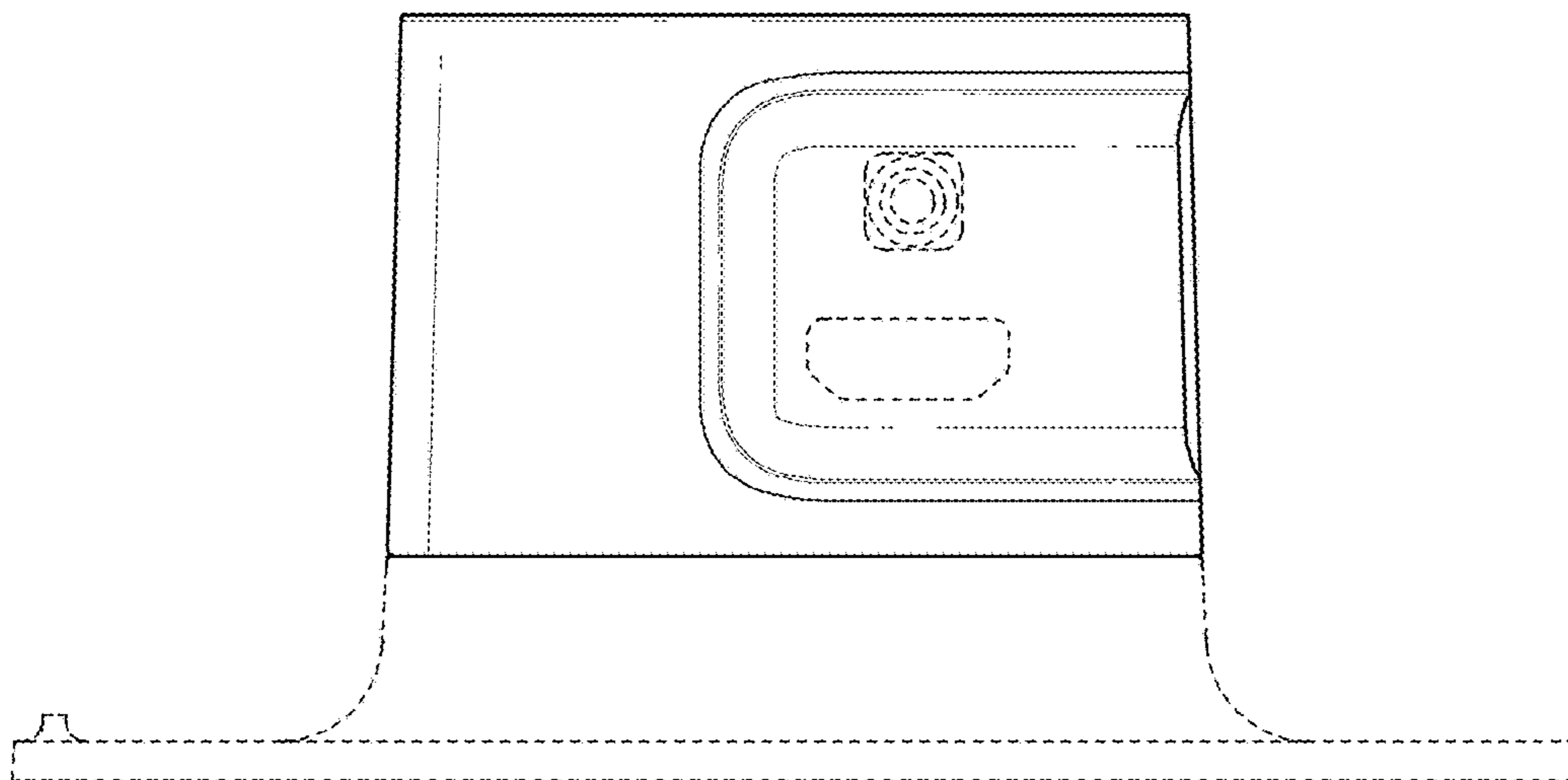


FIG. 4

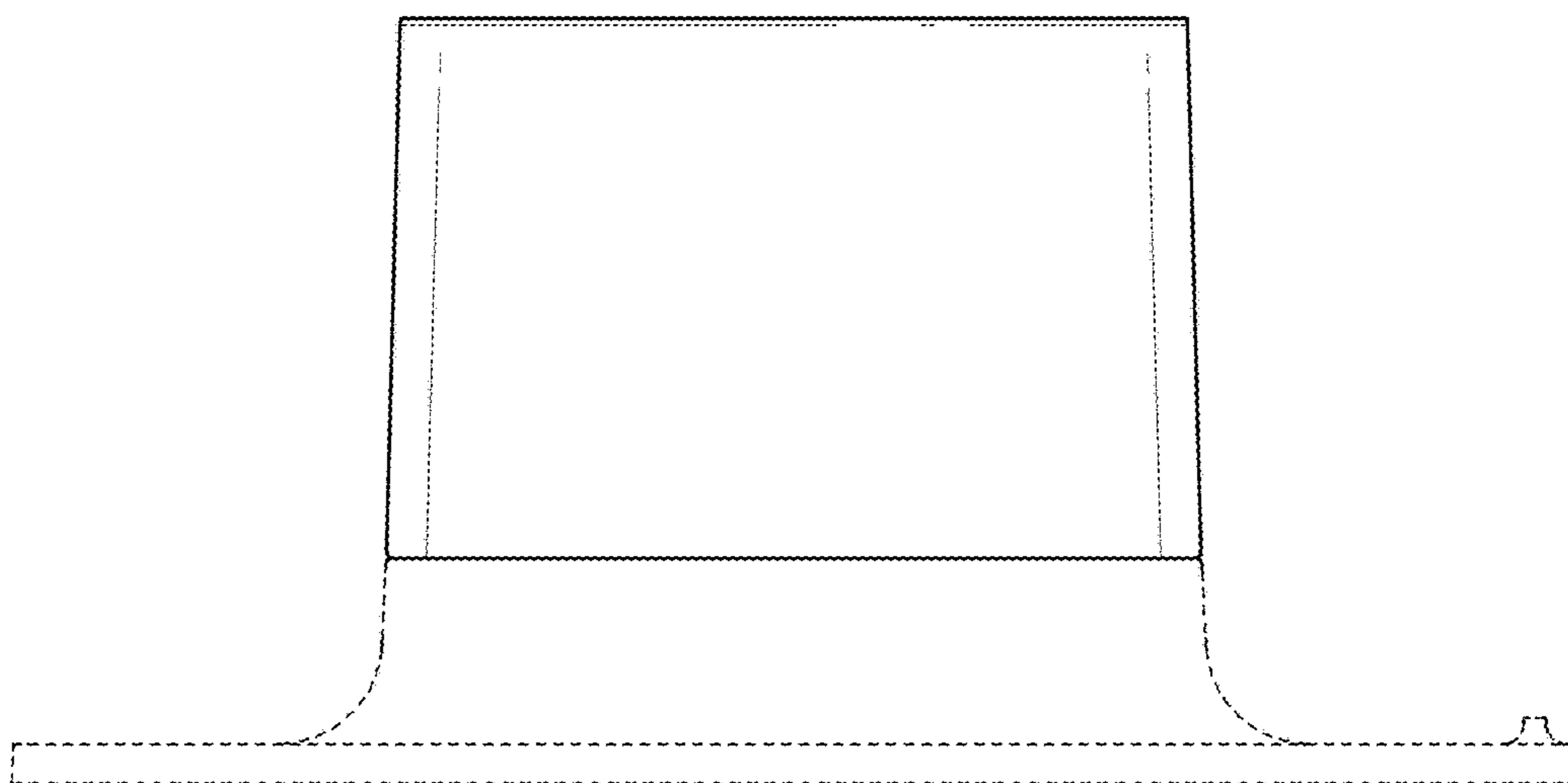


FIG. 5

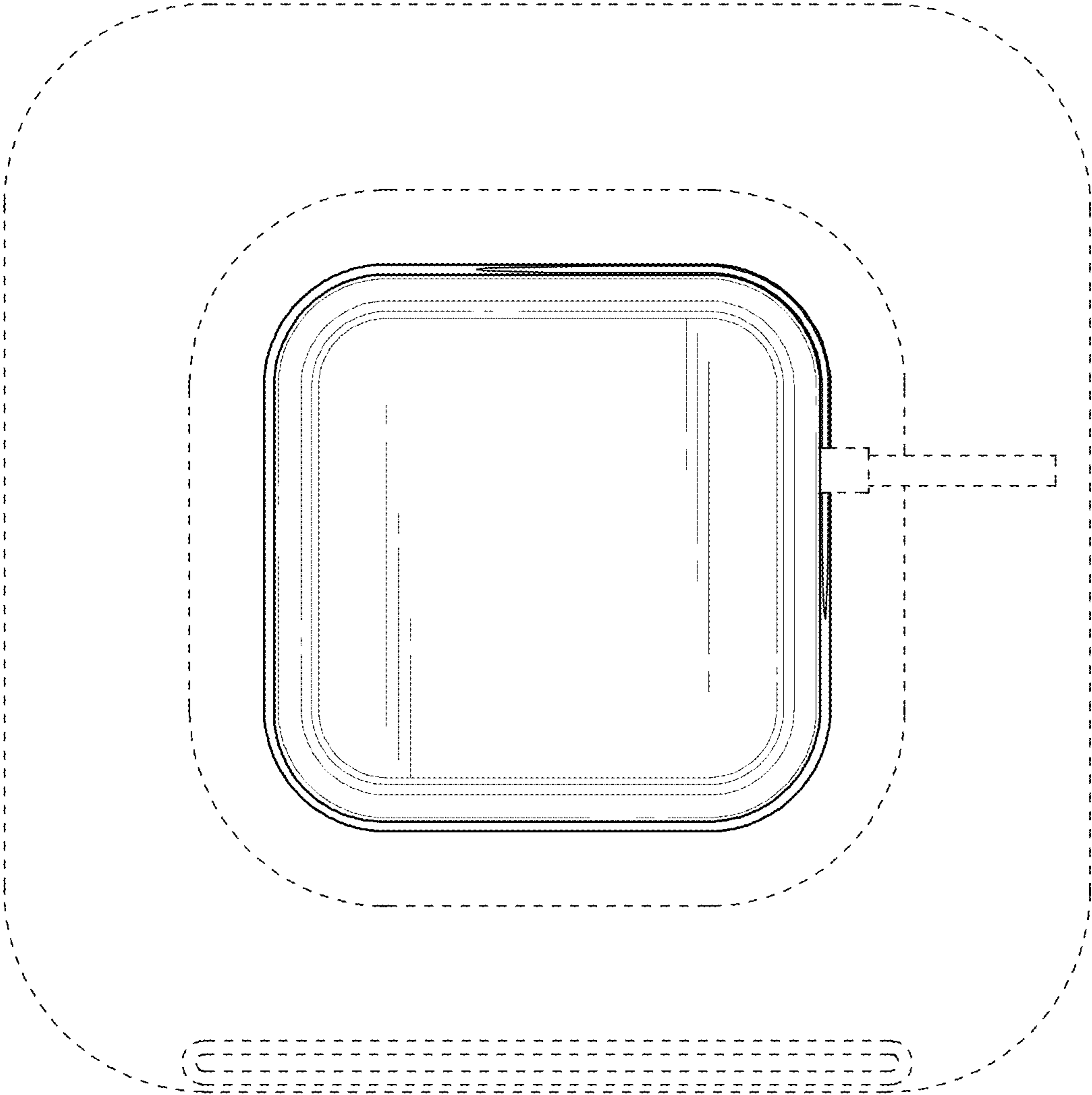


FIG. 6

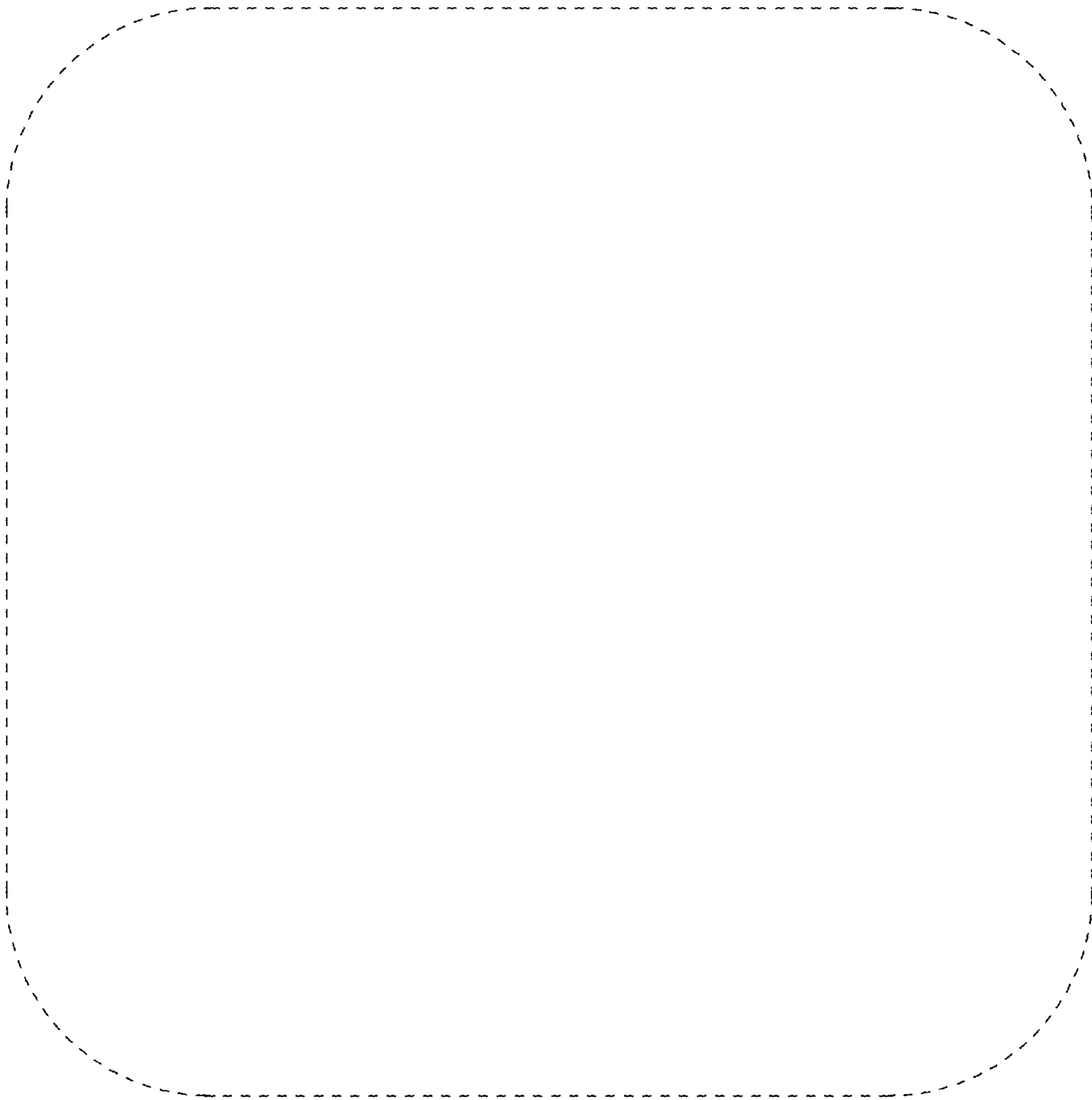


FIG. 7