



US00D775626S

(12) **United States Design Patent**  
**McWilliam**

(10) **Patent No.:** **US D775,626 S**

(45) **Date of Patent:** **\*\* Jan. 3, 2017**

(54) **BAND FOR A DEVICE**

(71) Applicant: **Amazon Technologies, Inc.**, Seattle,  
WA (US)

(72) Inventor: **Giles David Matthew McWilliam**, San  
Francisco, CA (US)

(73) Assignee: **Amazon Technologies, Inc.**, Seattle,  
WA (US)

(\*\*) Term: **14 Years**

(21) Appl. No.: **29/520,259**

(22) Filed: **Mar. 12, 2015**

(51) **LOC (10) Cl.** ..... **14-02**

(52) **U.S. Cl.**  
USPC ..... **D14/432**

(58) **Field of Classification Search**

USPC ..... D14/300, 314, 217, 218, 348, 349, 353,  
D14/355, 356, 357, 358, 363-370, 383,  
D14/388, 432, 433, 439, 299, 902, 474,  
D14/480.2, 480.3, 480.5, 480.6, 483, 511,  
D14/188, 250; D13/123, 133, 162, 162.1,  
D13/168, 173, 184, 199; D18/4.4;  
D20/99, 1, 8; D10/104.1, 103; D6/315,  
D6/316, 328; D8/316, 318, 356, 380;  
D9/434; D12/223; D3/218, 221, 322  
CPC ..... G06K 19/0723; H04W 4/00; H04W 4/206;  
H04W 4/021; H04W 4/0241; H04W  
4/005; H04W 4/22; G06F 1/16; G06F  
1/1607; G06F 1/1628; G06F 1/163; G06F  
1/1684; G06F 1/1689; G06F  
1/1603; G06F 1/1605

See application file for complete search history.

(56) **References Cited**

**U.S. PATENT DOCUMENTS**

D248,693 S 7/1978 Housman  
D249,294 S \* 9/1978 Housman ..... D20/1  
D296,440 S 6/1988 Smith et al.

D338,102 S \* 8/1993 McGuire ..... D3/207  
D373,318 S \* 9/1996 Berch ..... D10/106.1  
D374,976 S \* 10/1996 MacDonald ..... D3/207  
D379,627 S \* 6/1997 Takahashi ..... D14/171  
D446,511 S \* 8/2001 Kanno ..... D14/167  
D479,712 S 9/2003 Ng  
D481,374 S 10/2003 Lee  
D489,704 S \* 5/2004 Kim ..... D14/188  
D490,069 S 5/2004 Lee  
D490,070 S 5/2004 Lee

(Continued)

**FOREIGN PATENT DOCUMENTS**

JP 2004327365 A \* 11/2004

**OTHER PUBLICATIONS**

Translated the Japanese Office Action mailed Feb. 26, 2016 for Japanese Design Application No. 2015-20207, a counterpart foreign application of Design U.S. Appl. No. 29/520,266, 4 pages.

(Continued)

*Primary Examiner* — Susan Bennett Hattan  
*Assistant Examiner* — Marie Fast Horse  
(74) *Attorney, Agent, or Firm* — Lee & Hayes, PLLC

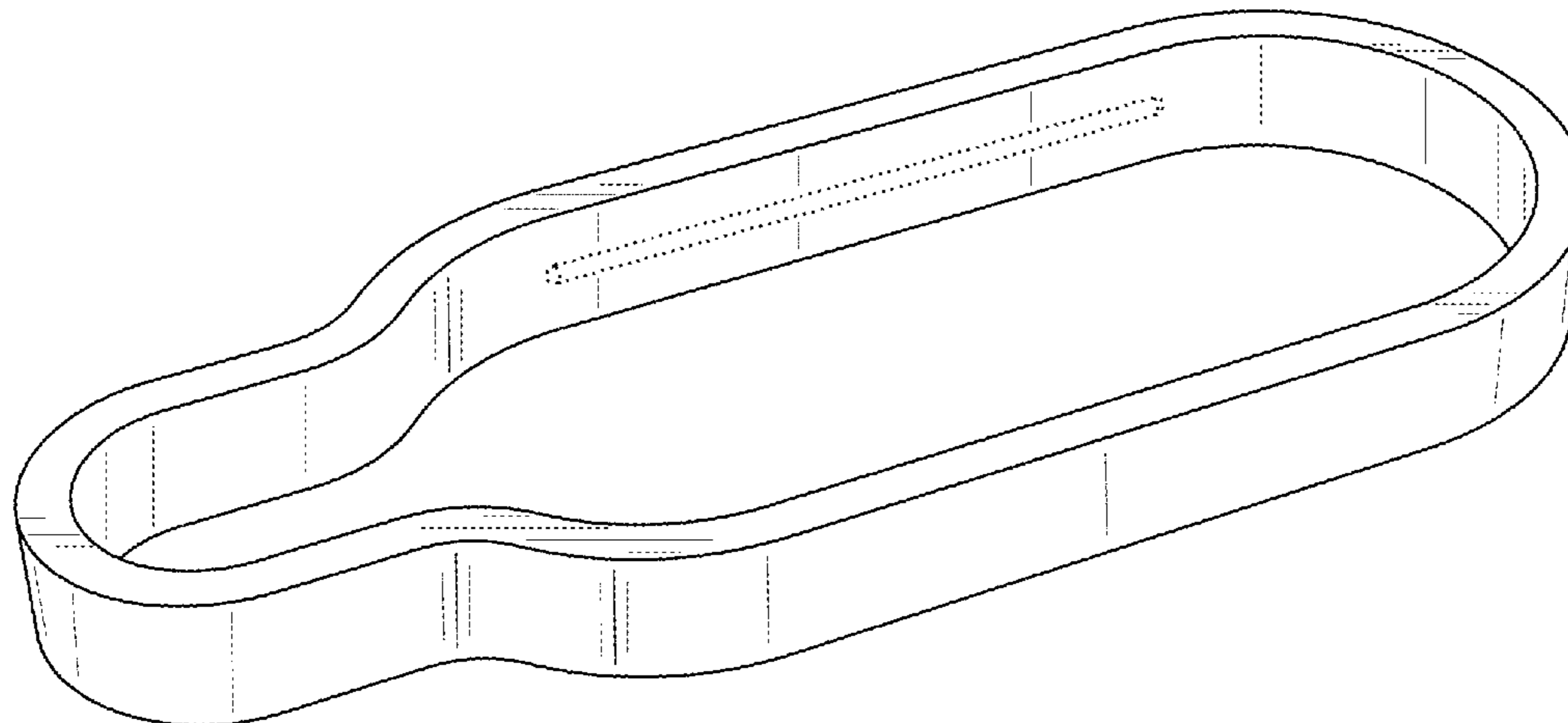
(57) **CLAIM**

The ornamental design for a band for a device, as shown and described.

**DESCRIPTION**

FIG. 1 is a perspective view of a band for a device, taken from above;  
FIG. 2 is a front view of the band of FIG. 1;  
FIG. 3 is a right-side view of the band of FIG. 1;  
FIG. 4 is a left-side view of the band of FIG. 1;  
FIG. 5 is a top plan view of the band of FIG. 1; and,  
FIG. 6 is a bottom plan view of the band of FIG. 1.  
The broken lines in the drawings depict portions of the band for a device that form no part of the claimed design.

**1 Claim, 4 Drawing Sheets**



(56)

References Cited

U.S. PATENT DOCUMENTS

D490,840 S 6/2004 Arakaki et al.  
 D491,161 S \* 6/2004 Tang ..... D14/188  
 D500,015 S \* 12/2004 Gubbe ..... D13/168  
 D502,936 S \* 3/2005 Oas ..... D14/188  
 D508,511 S \* 8/2005 Christou ..... D16/202  
 D520,991 S 5/2006 Ma et al.  
 D528,027 S 9/2006 Hung  
 D534,896 S \* 1/2007 Lin ..... D14/188  
 D535,284 S \* 1/2007 Peng ..... D14/188  
 D548,283 S 8/2007 George  
 D548,728 S 8/2007 Yoshiyama  
 D556,197 S \* 11/2007 Blankenship ..... D14/480.6  
 D556,198 S \* 11/2007 Blankenship ..... D14/480.5  
 D559,084 S \* 1/2008 Foxx ..... D8/356  
 D561,703 S \* 2/2008 Shimokawa ..... D13/168  
 D563,110 S \* 3/2008 Mangano ..... D6/328  
 D564,997 S \* 3/2008 Tran ..... D14/137  
 D583,365 S \* 12/2008 Suk ..... D14/240  
 D596,163 S \* 7/2009 Madonna ..... D14/218  
 D600,228 S \* 9/2009 Finney ..... D14/138 AC  
 D602,489 S \* 10/2009 Blackwell ..... D14/342  
 D618,681 S \* 6/2010 Richter ..... D14/358  
 D622,685 S \* 8/2010 Garra ..... D14/137  
 D623,192 S 9/2010 Peng  
 D623,753 S \* 9/2010 Saffer ..... D14/480.5  
 D624,551 S \* 9/2010 Cohen ..... D14/480.5  
 D626,950 S 11/2010 Roman  
 D631,483 S \* 1/2011 Nelson ..... D14/484.1  
 D633,507 S \* 3/2011 Nelson ..... D14/484.1  
 D646,280 S 10/2011 Yano  
 D647,886 S \* 11/2011 Kao ..... D14/218  
 D661,285 S 6/2012 Ivaskevicius  
 D667,382 S \* 9/2012 Cosentino ..... D13/168  
 D668,940 S \* 10/2012 Taurins ..... D8/356  
 D671,505 S \* 11/2012 Clark ..... D13/168  
 D677,559 S \* 3/2013 Taurins ..... D8/356  
 D689,495 S \* 9/2013 Bentley ..... D14/433  
 D693,332 S \* 11/2013 Lee ..... D13/168  
 8,654,074 B1 2/2014 Auguste et al.  
 D705,170 S 5/2014 Diehl et al.  
 D705,751 S 5/2014 Wenger et al.  
 D706,278 S \* 6/2014 Fukuoka ..... D14/480.5  
 D708,974 S \* 7/2014 Dauwalter, III ..... D10/104.1  
 D715,760 S 10/2014 Kim et al.  
 D716,290 S 10/2014 Lim et al.  
 8,965,281 B2 2/2015 Raisanen et al.  
 D726,831 S 4/2015 Lee et al.  
 D733,683 S \* 7/2015 Faerber ..... D14/215  
 D735,020 S \* 7/2015 Bradford ..... D8/356

D743,381 S \* 11/2015 Pi ..... D14/218  
 D750,474 S \* 3/2016 Ng ..... D8/380  
 D751,527 S \* 3/2016 Hinokio ..... D14/204  
 D751,558 S \* 3/2016 Lee ..... D10/103  
 D753,985 S \* 4/2016 Nelson ..... D8/356  
 2005/0071479 A1 3/2005 Achlioptas  
 2011/0124383 A1 \* 5/2011 Garra ..... H04M 1/72519  
 455/575.1  
 2016/0094967 A1 \* 3/2016 Sulaiman ..... H04M 1/72541  
 455/404.2

OTHER PUBLICATIONS

Translated the Japanese Office Action mailed Feb. 26, 2016 for Japanese Design Application No. 2015-20205, a counterpart foreign application of Design U.S. Appl. No. 29/520,233, 4 pages.  
 The Canadian Office Action mailed Dec. 22, 2015 for Canadian Patent Application No. 164293, a counterpart foreign application of U.S. Appl. No. 29/520,259, 2 pages.  
 The Canadian Office Action mailed Dec. 22, 2015 for Canadian Patent Application No. 164295, a counterpart foreign application of U.S. Appl. No. 29/520,266, 2 pages.  
 The Canadian Office Action mailed Dec. 22, 2015 for Canadian Patent Application No. 164294, a counterpart foreign application of U.S. Appl. No. 29/520,233, 2 pages.  
 The Indian Office Action mailed Dec. 11, 2015 for Indian design application No. 275571, a counterpart foreign application of design U.S. Appl. No. 29/520,266, 10 pages.  
 The Indian Office Action mailed Dec. 11, 2015 for Indian design application No. 275573, a counterpart foreign application of design U.S. Appl. No. 29/520,233, 10 pages.  
 The Indian Office Action mailed Dec. 11, 2015 for Indian design application No. 275572, a counterpart foreign application of design U.S. Appl. No. 29/520,266, 10 pages.  
 The Indian Office Action mailed Dec. 11, 2015 for Indian design application No. 275574, a counterpart foreign application of design U.S. Appl. No. 29/520,233, 10 pages.  
 The Indian Office Action mailed Dec. 1, 2015 for Indian design application No. 275575, a counterpart foreign application of design U.S. Appl. No. 29/520,259, 8 pages.  
 The Indian Office Action mailed Dec. 11, 2015 for Indian design application No. 275576, a counterpart foreign application of design U.S. Appl. No. 29/520,259, 8 pages.  
 Hahn, "Flic is a smart, wireless button that lets you play music, make calls, order pizza", Digital Trends, Retrieved from <<[http://www.digitaltrends.com/cool-tech/flic-smart-wireless-button-lets-play-music-make-calls-order-pizza/#:I7X\\_xqiuBD5DFA](http://www.digitaltrends.com/cool-tech/flic-smart-wireless-button-lets-play-music-make-calls-order-pizza/#:I7X_xqiuBD5DFA)>>, Posted Dec. 2014, 9 pages.

\* cited by examiner

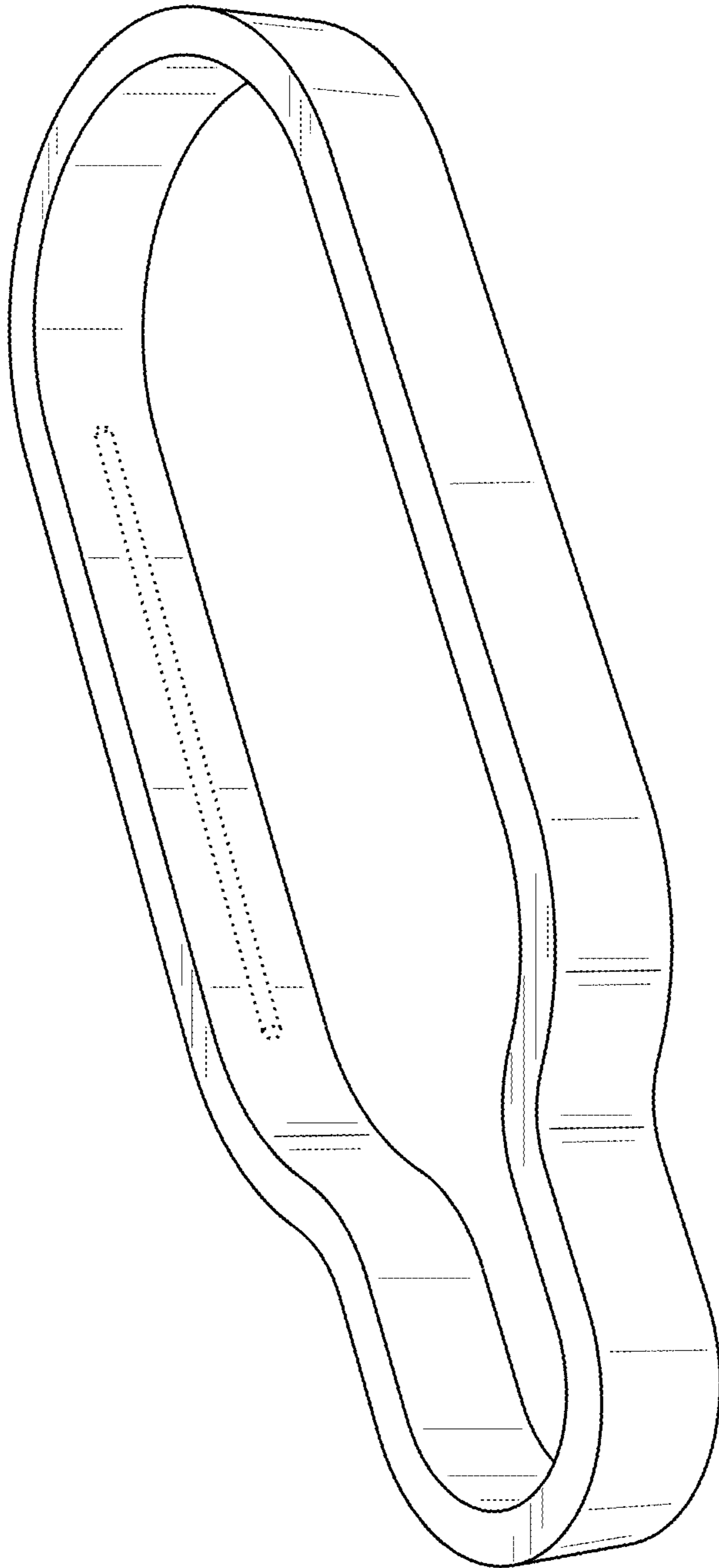


FIG. 1

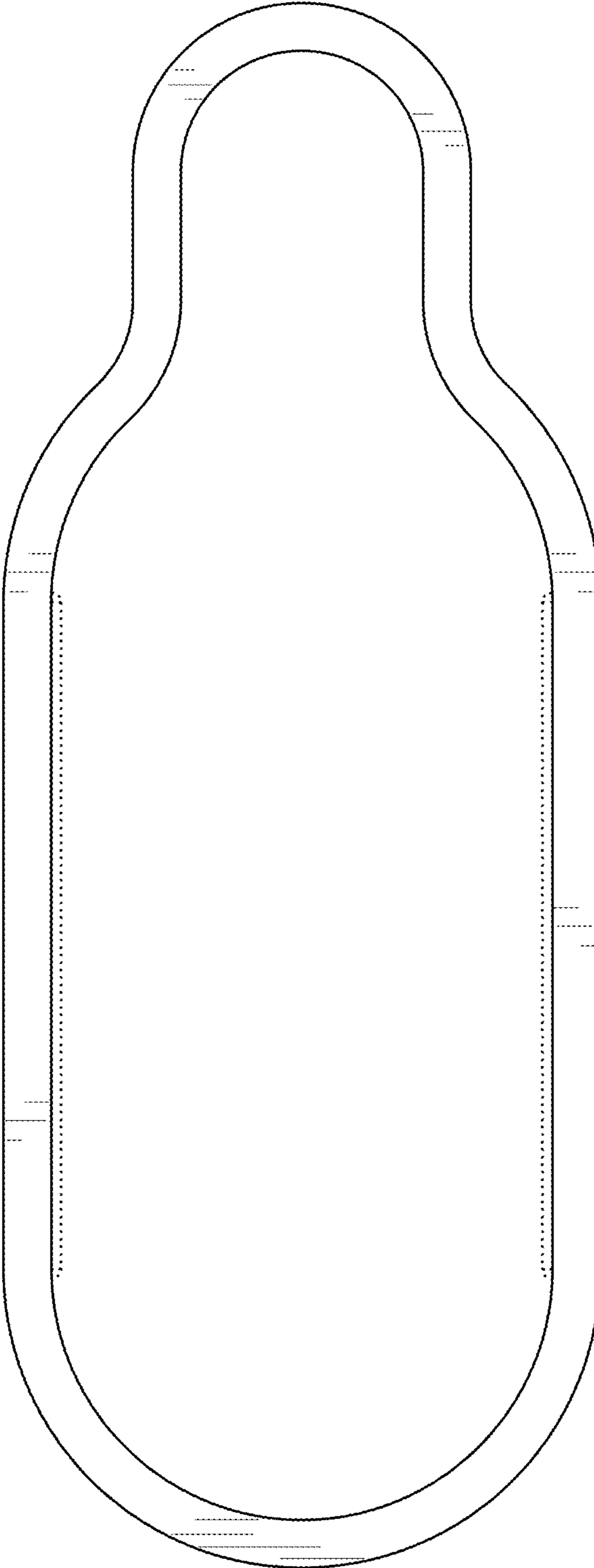


FIG. 2

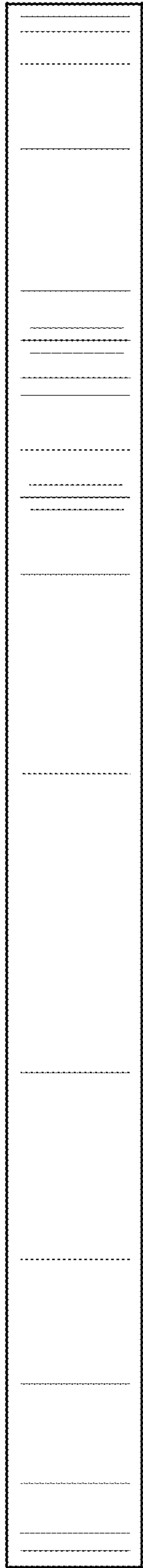


FIG. 3

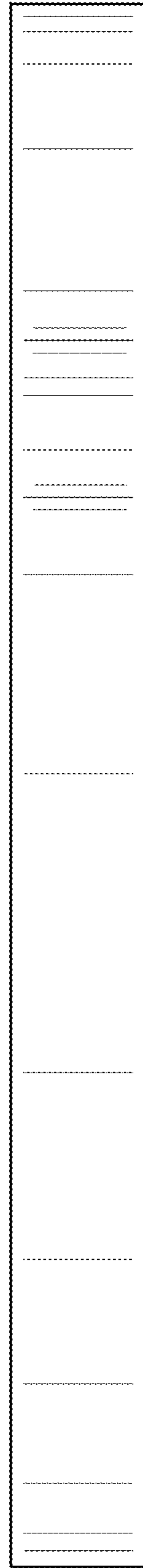


FIG. 4

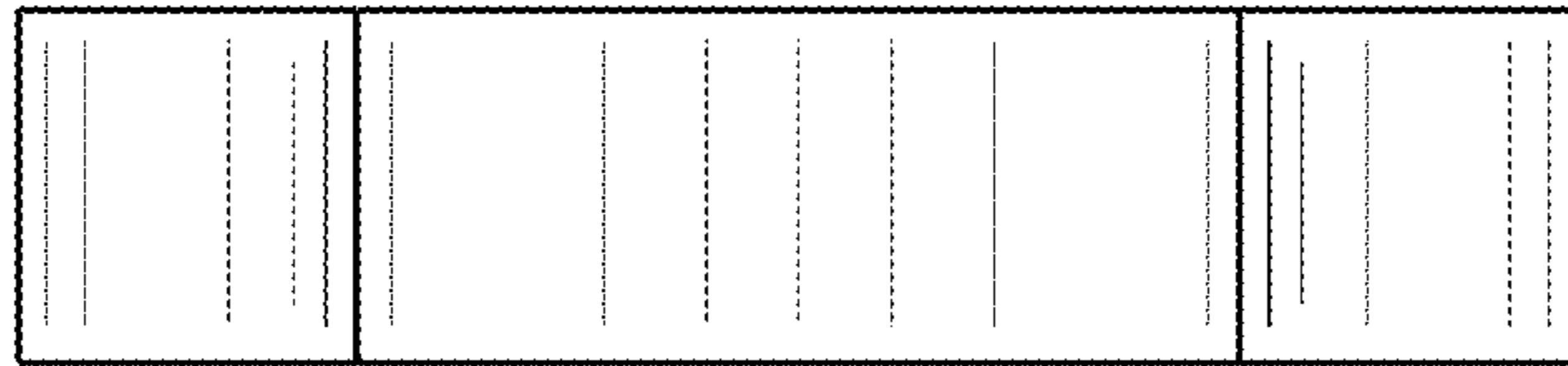


FIG. 5

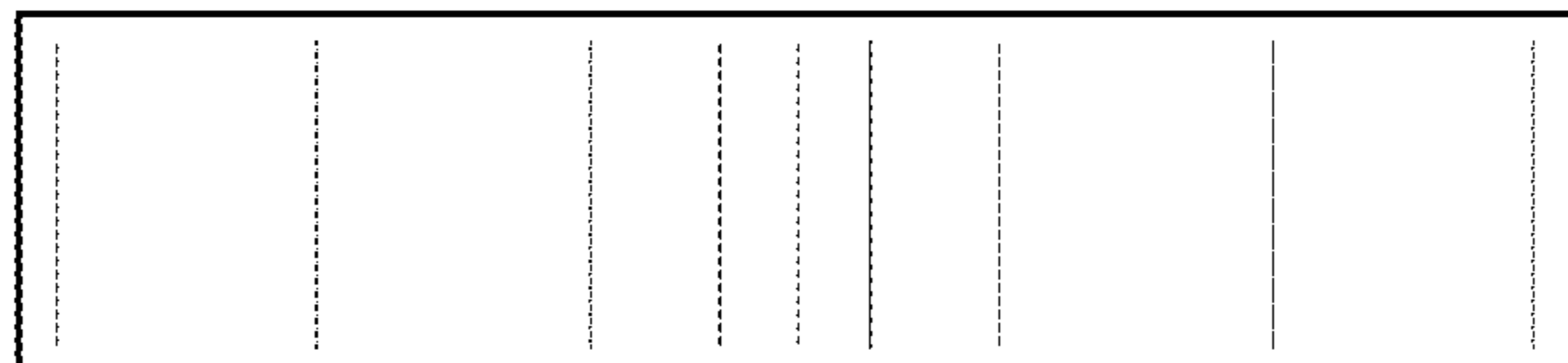


FIG. 6