



US00D775624S

(12) **United States Design Patent**  
**Kong**

(10) **Patent No.:** **US D775,624 S**

(45) **Date of Patent:** **\*\* Jan. 3, 2017**

(54) **COMPUTER HINGE HAVING A HIGH ANGLE OF ROTATION**

(71) Applicant: **Intel Corporation**, Santa Clara, CA (US)

(72) Inventor: **Duck Young Kong**, Beaverton, OR (US)

(73) Assignee: **Intel Corporation**, Santa Clara, CA (US)

(\*\*) Term: **14 Years**

(21) Appl. No.: **29/512,969**

(22) Filed: **Dec. 23, 2014**

(51) **LOC (10) Cl.** ..... **14-02**

(52) **U.S. Cl.**  
USPC ..... **D14/315**

(58) **Field of Classification Search**  
USPC . D14/315-327; D18/1, 2, 7, 11; 235/145 A, 235/145 R; 341/22, 23; 345/104, 156, 345/168, 169, 173; 361/679.08, 679.09, 361/679.11, 679.26, 679.27  
CPC ..... G06F 1/16; G06F 1/1616; G06F 1/1626; G06F 1/1632; G06F 1/1613; G06F 1/1601; G06F 1/1618; G06F 1/162; G06F 1/1679; G06F 1/1681; G06F 1/1683; H01R 35/02; H03M 11/00; G09B 13/04; H03K 17/94; G09G 5/00; F16M 11/10; E05D 11/0081; E05D 3/10; E05D 11/082; E05Y 2900/606; H05K 5/0226; Y10T 16/52; Y10T 16/533; Y10T 16/547; Y10T 16/5385; Y10T 16/5472; Y10T 16/5476; Y10T 16/54038  
See application file for complete search history.

(56) **References Cited**

**U.S. PATENT DOCUMENTS**

5,566,048 A \* 10/1996 Esterberg ..... G06F 1/1616  
16/307  
D438,538 S \* 3/2001 Ogasawara ..... D14/317

D630,221 S \* 1/2011 Sogabe ..... D14/315  
D664,953 S \* 8/2012 Hung ..... D14/327  
8,259,440 B2 \* 9/2012 Lin ..... G06F 1/1616  
248/917  
8,693,181 B2 \* 4/2014 Tseng ..... G06F 1/1635  
312/223.1  
D708,604 S \* 7/2014 Tanner ..... D14/315  
8,842,424 B2 \* 9/2014 Kempainen ..... H04M 1/0235  
361/679.27  
8,875,348 B2 \* 11/2014 Kossett ..... G06F 1/1681  
16/342  
2009/0025182 A1 \* 1/2009 Hung ..... G06F 1/1632  
16/382

\* cited by examiner

*Primary Examiner* — Freda S Nunn

(74) *Attorney, Agent, or Firm* — International IP Law Group, P.L.L.C.

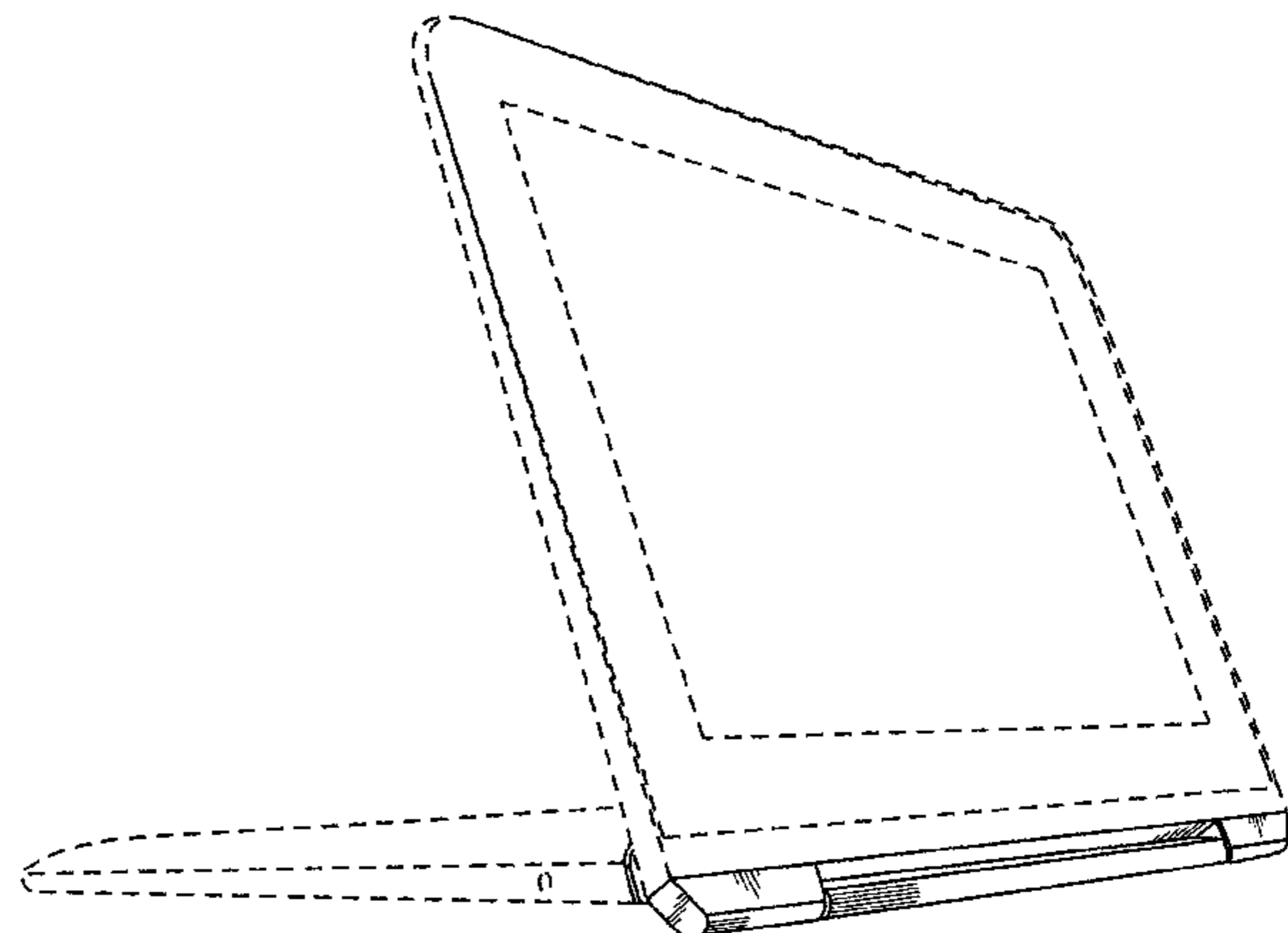
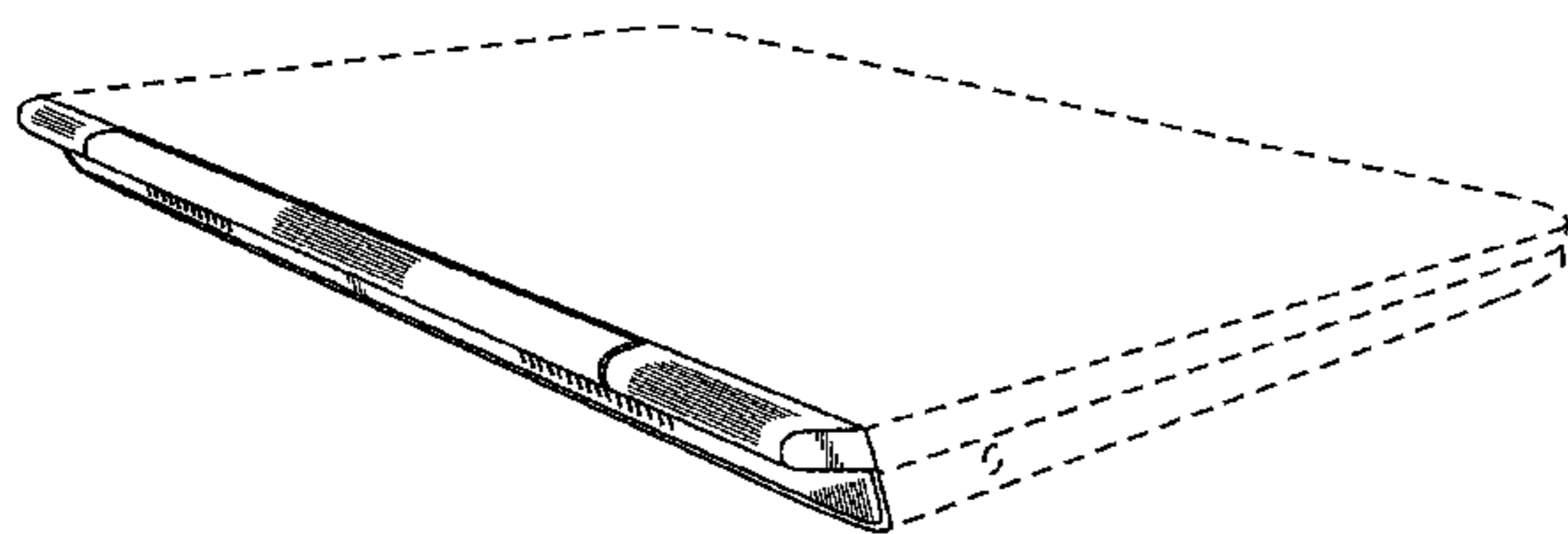
(57) **CLAIM**

The ornamental design for a computer hinge having a high angle of rotation, as shown and described.

**DESCRIPTION**

FIG. 1 is a rear perspective view of a computer hinge having a high angle of rotation;  
FIG. 2 is an exploded perspective view thereof wherein a re-attachable panel is shown removed;  
FIG. 3 is a top view thereof;  
FIG. 4 is rear perspective view thereof showing the computer in an opened position;  
FIG. 5 is another perspective view thereof shown in an alternate position; and,  
FIG. 6 is a bottom view thereof.  
The broken lines shown in the drawings depict environment only and form no part of the claimed design. Additionally, in some embodiments, line shading is meant to show contour of represented surfaces and not surface ornamentation.

**1 Claim, 6 Drawing Sheets**



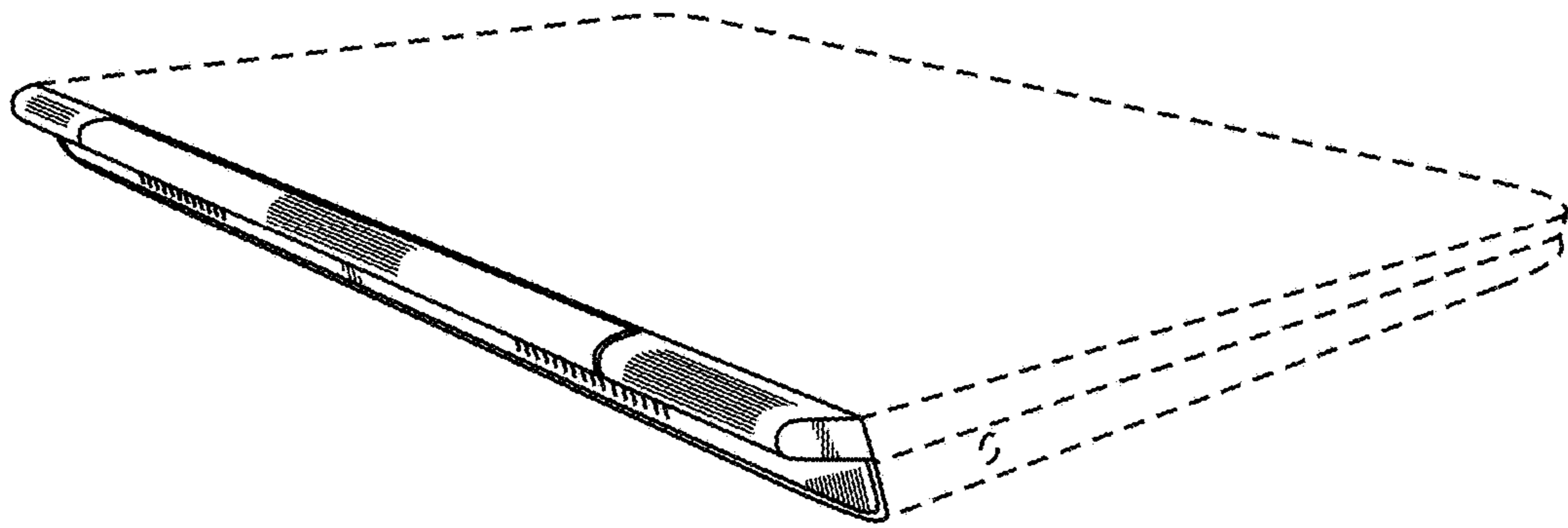


FIG. 1

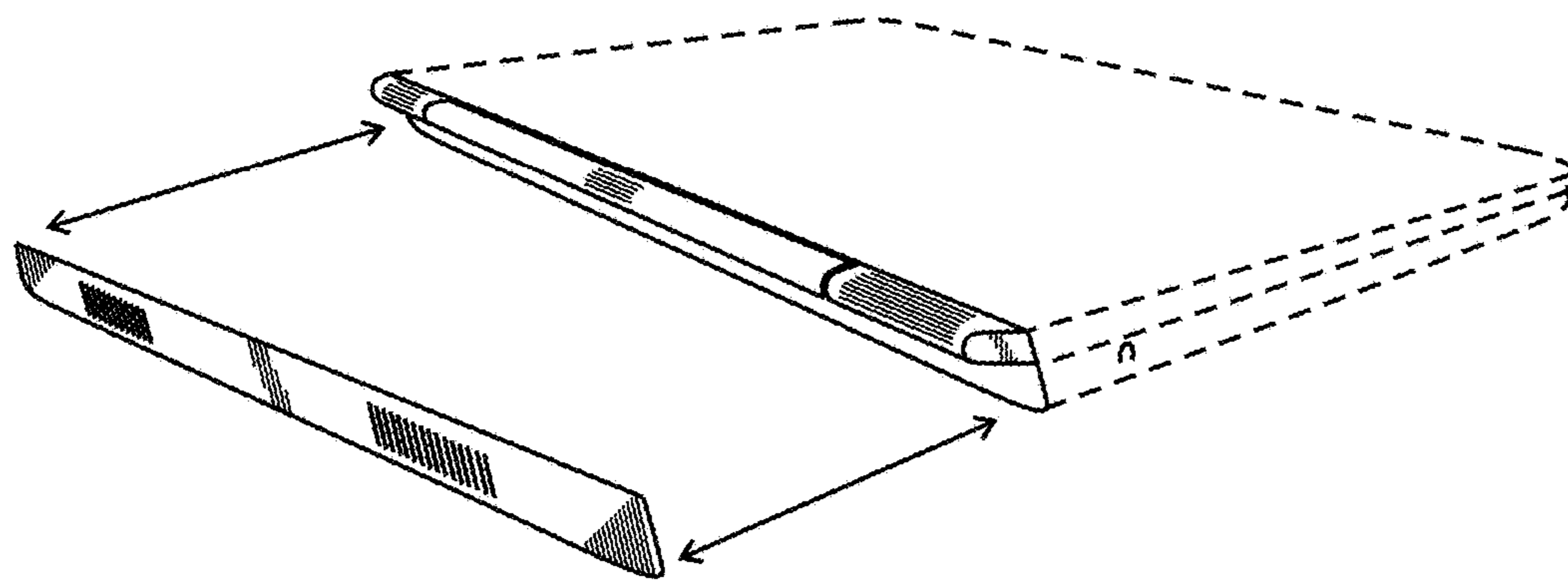


FIG. 2

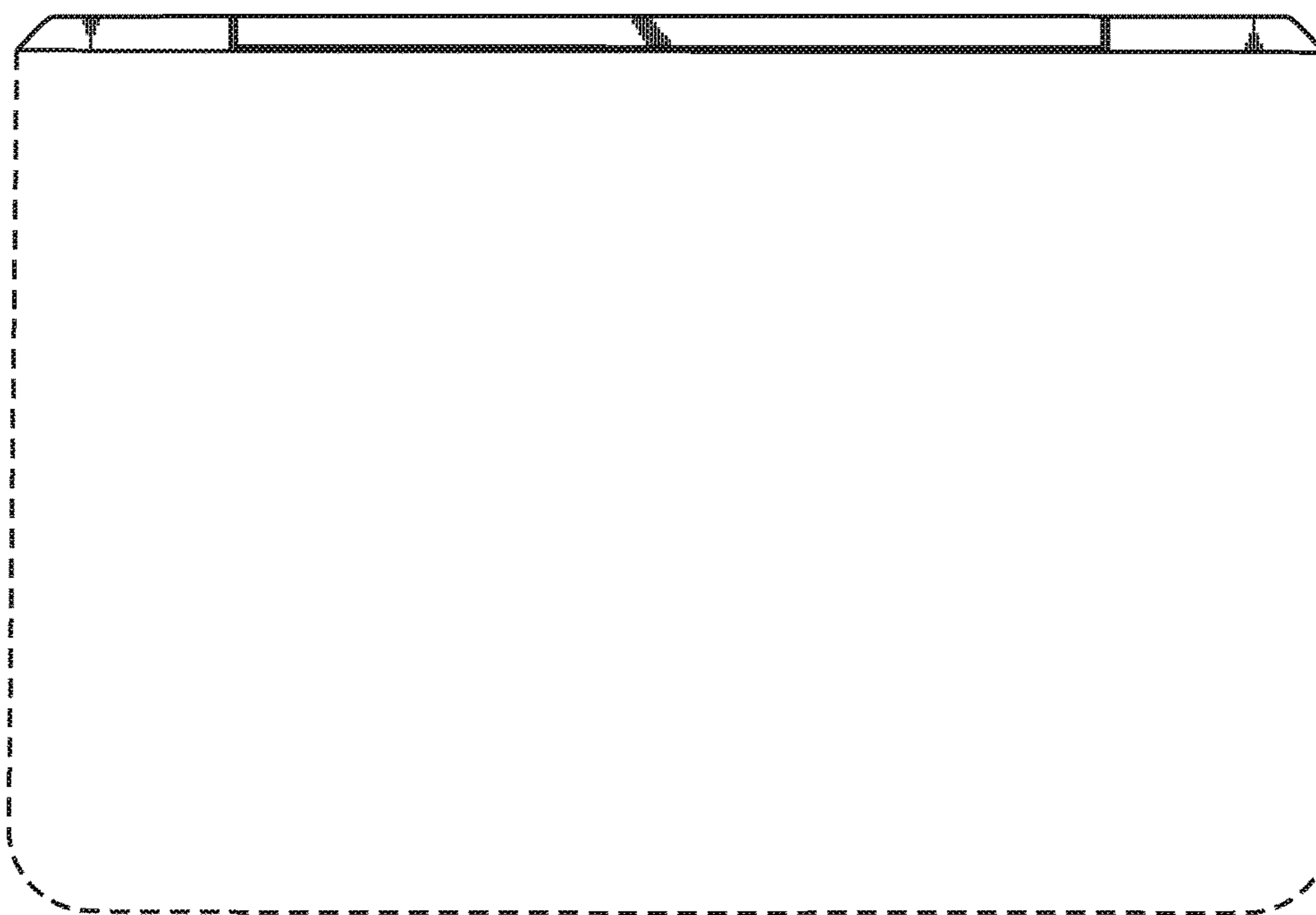


FIG. 3

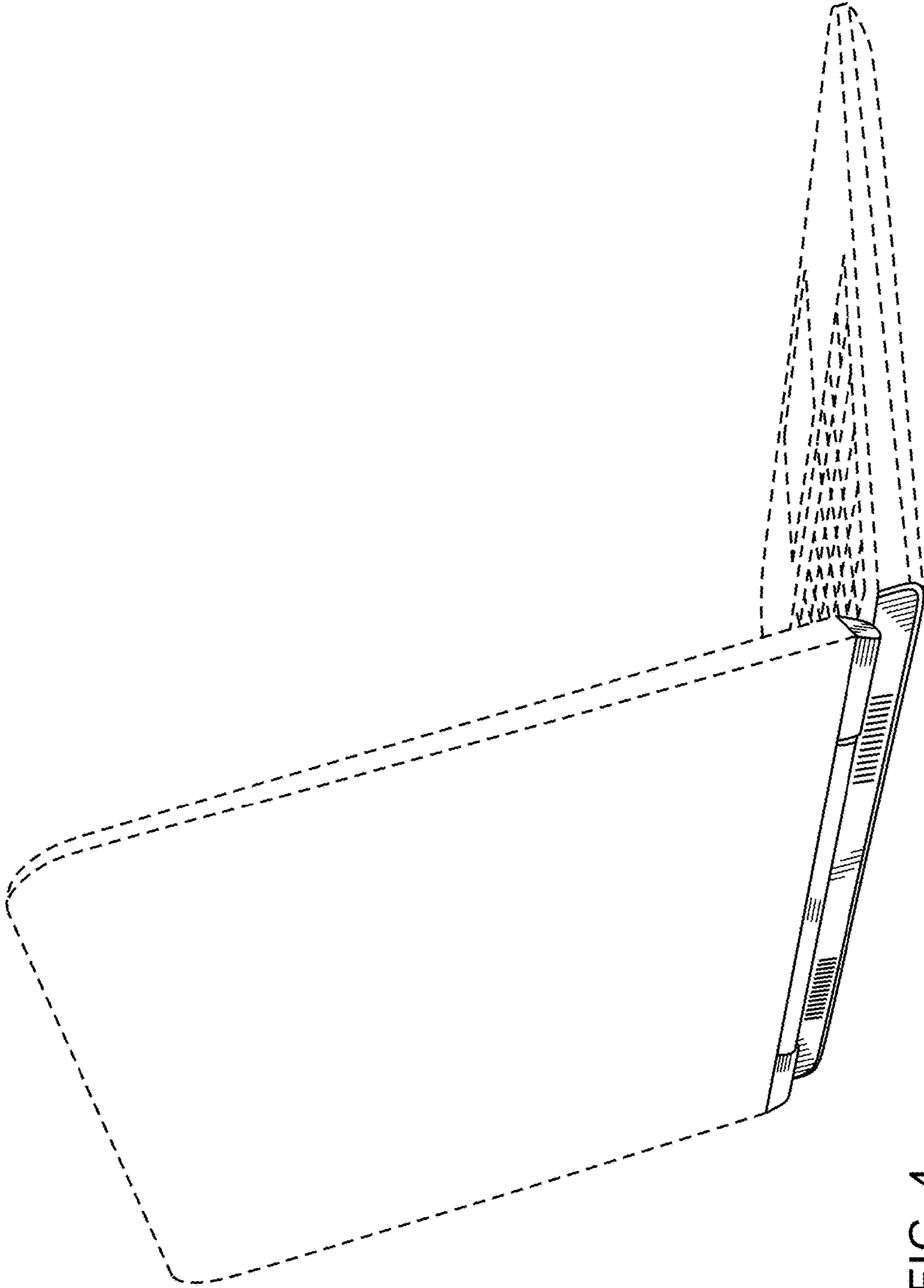


FIG. 4

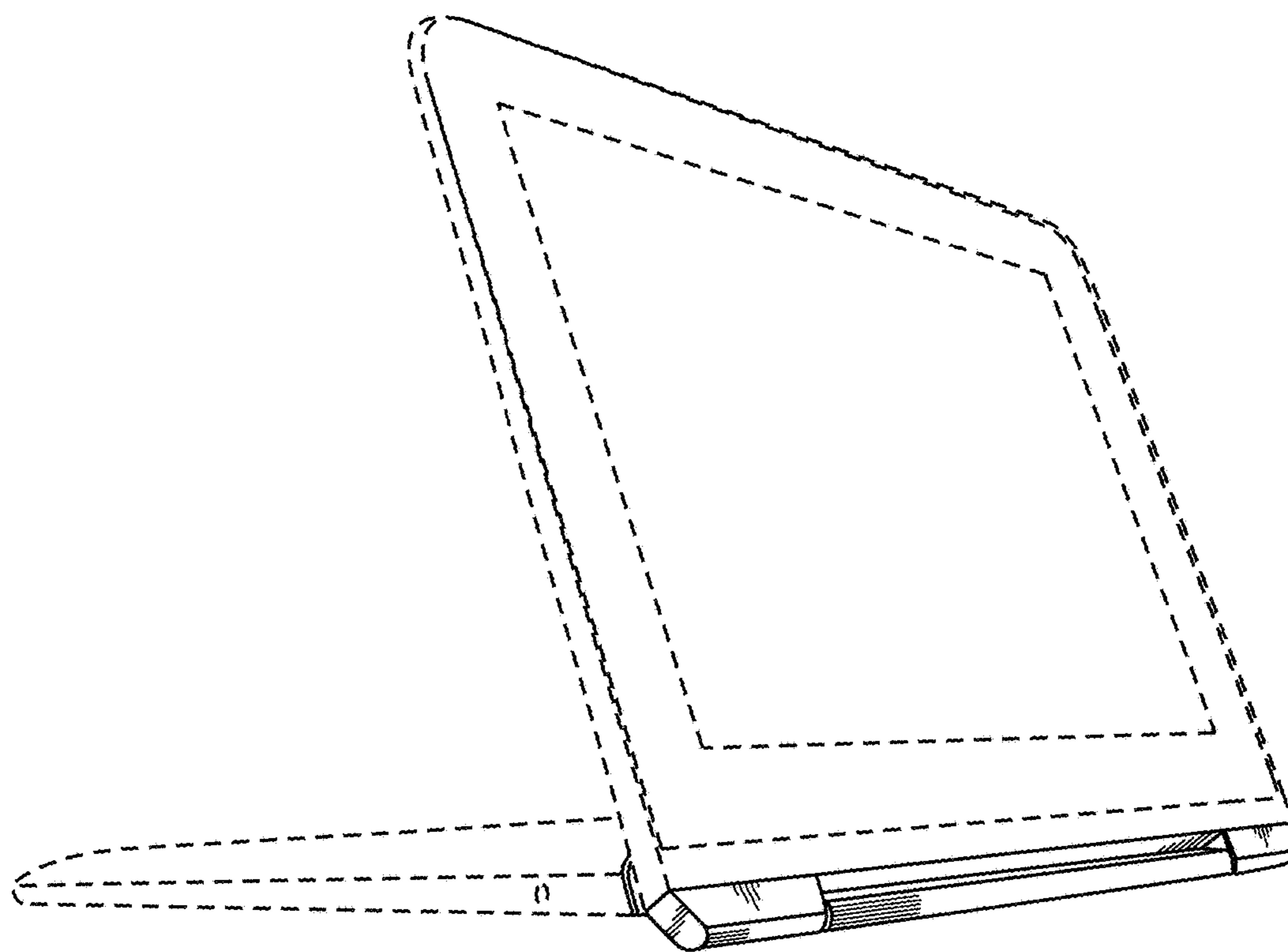


FIG. 5

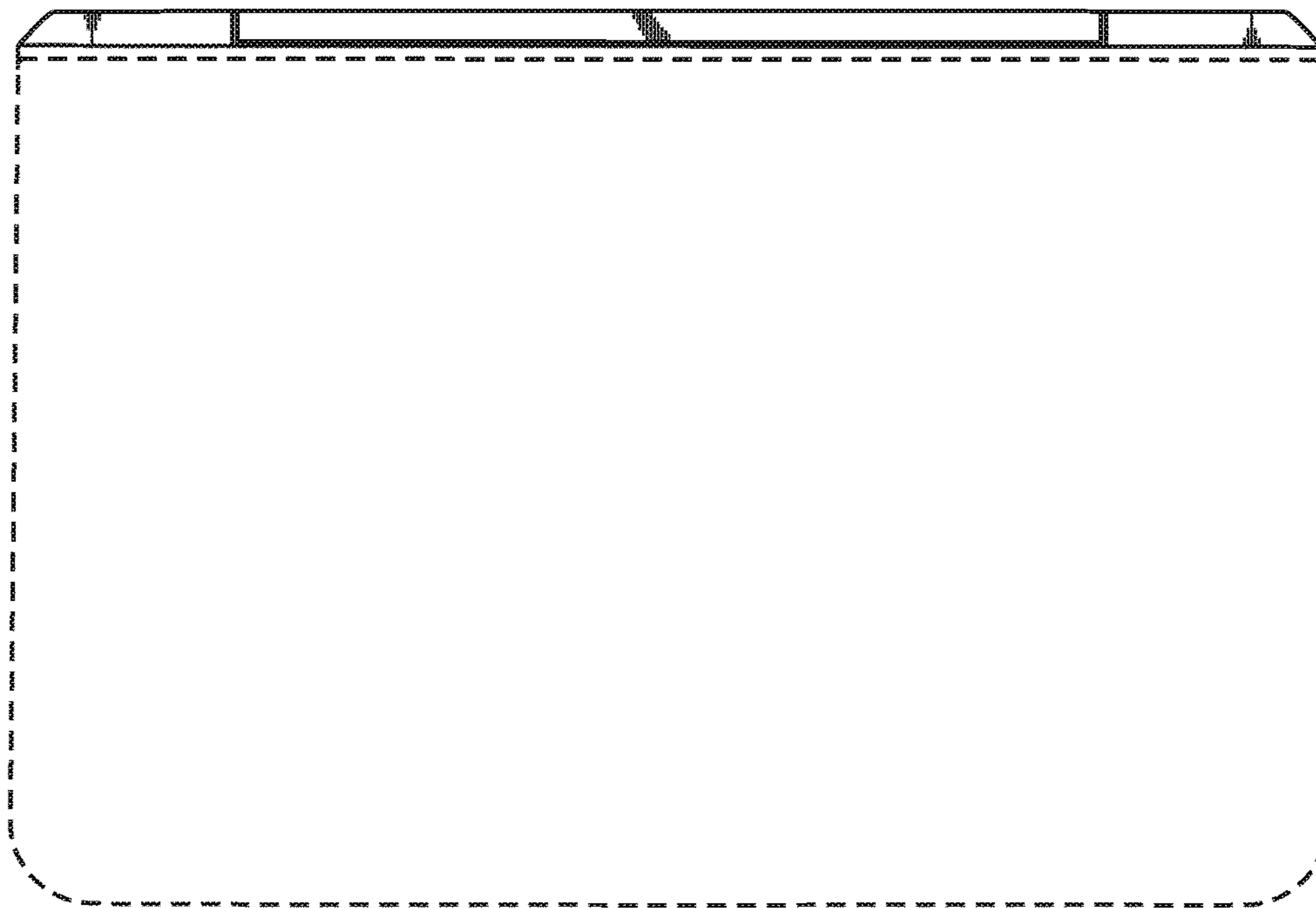


FIG. 6