



US00D775622S

(12) **United States Design Patent** (10) **Patent No.:** **US D775,622 S**  
**Fu et al.** (45) **Date of Patent:** **\*\* Jan. 3, 2017**

(54) **LOCKER-SECURED, MOBILE DEVICE CHARGING KIOSK**

(71) Applicants: **Yiran Fu**, Chelmsford, MA (US); **Krassimir Popov**, Chelmsford, MA (US); **Latchezar Popov**, Chelmsford, MA (US); **Upkar Singh**, Arlington, MA (US)

(72) Inventors: **Yiran Fu**, Chelmsford, MA (US); **Krassimir Popov**, Chelmsford, MA (US); **Latchezar Popov**, Chelmsford, MA (US); **Upkar Singh**, Arlington, MA (US)

(73) Assignee: **Velocity One LLC**, North Chelmsford, MA (US)

(\*\*) Term: **15 Years**

(21) Appl. No.: **29/548,454**

(22) Filed: **Dec. 14, 2015**

(51) **LOC (10) Cl.** ..... **14-02**

(52) **U.S. Cl.**  
USPC ..... **D14/307**

(58) **Field of Classification Search**  
USPC ..... D14/167, 154, 168, 188, 496, 156, 160, D14/161, 162, 163, 164, 165, 158, 253, D14/192, 159, 155, 138 AB, 137, 104.1, D14/307; 455/351, 350, 353; D10/104, D10/106, 65, 78; 340/573.4, 573.1  
CPC ..... G08B 13/1672; G08B 13/19645; G08B 25/006; H04M 11/04  
See application file for complete search history.

(56) **References Cited**

U.S. PATENT DOCUMENTS

D415,736 S \* 10/1999 Witte ..... D14/307  
D671,535 S \* 11/2012 Terashima ..... D14/307

D696,658 S \* 12/2013 Winston ..... D14/307  
D702,675 S \* 4/2014 Jones ..... D14/307  
D723,026 S \* 2/2015 Birgeoglu ..... D14/307  
D723,538 S \* 3/2015 Catoe ..... D14/307  
D726,706 S \* 4/2015 Kraft ..... D14/307  
D732,520 S \* 6/2015 Themann ..... D14/307  
D734,315 S \* 7/2015 Masuda ..... D14/307  
D738,366 S \* 9/2015 Kraft ..... D14/307  
D761,783 S \* 7/2016 Kulkarni ..... D14/300

\* cited by examiner

*Primary Examiner* — Austin Murphy

(74) *Attorney, Agent, or Firm* — Velocity One LLC; Yiran Fu; Krassimir Popov

(57) **CLAIM**

The ornamental design for a locker-secured, mobile device charging kiosk, as shown and described.

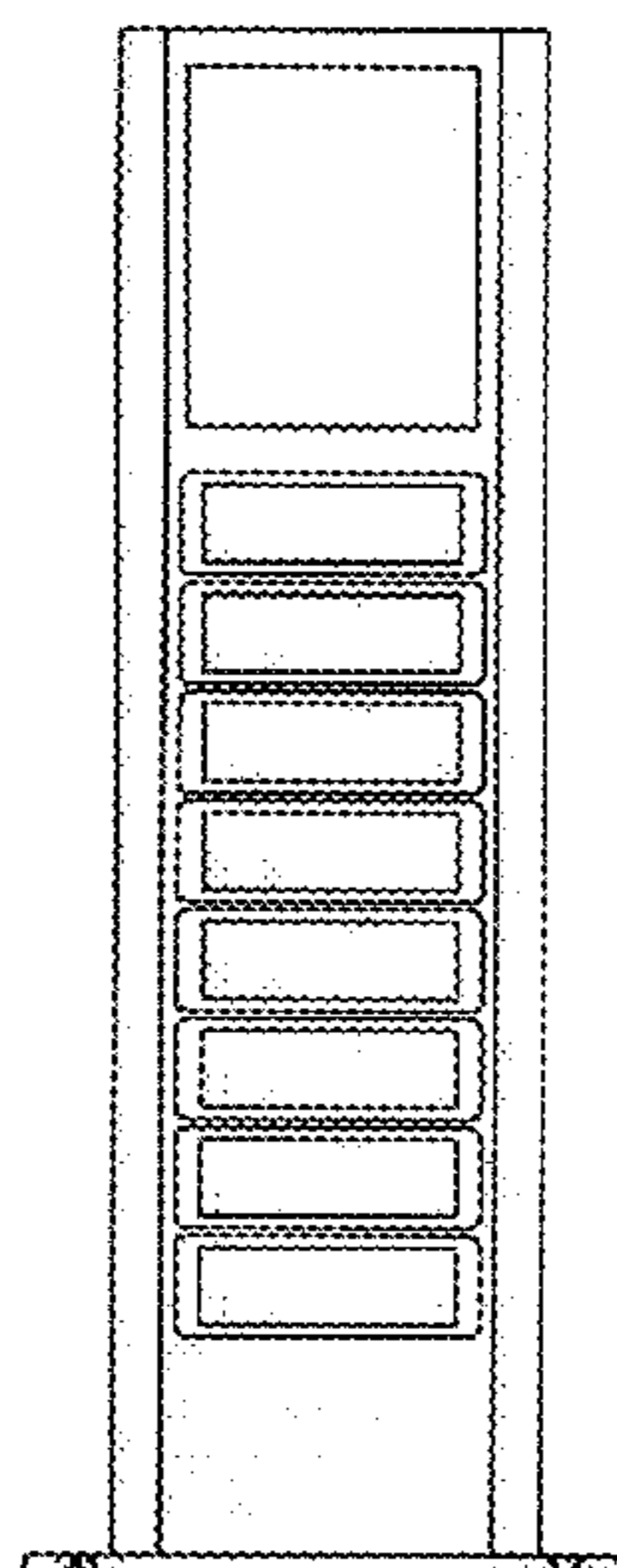
**DESCRIPTION**

FIG. 1 is a front elevational view of a locker-secured, mobile device charging kiosk showing my new design; FIG. 2 is a rear elevational view thereof; FIG. 3 is a left side elevational view thereof; FIG. 4 is an upper perspective view thereof; FIG. 5 is a top plan view thereof; and, FIG. 6 is a bottom plan view thereof.

The right side of the locker-secured, mobile device charging kiosk is a mirror image of the left side elevational view thereof shown in FIG. 3.

Any shading and cross-hatching are not features of the design but are utilized to illustrate the surface contours and material of the locker-secured, mobile device charging kiosk in the drawings.

**1 Claim, 3 Drawing Sheets**



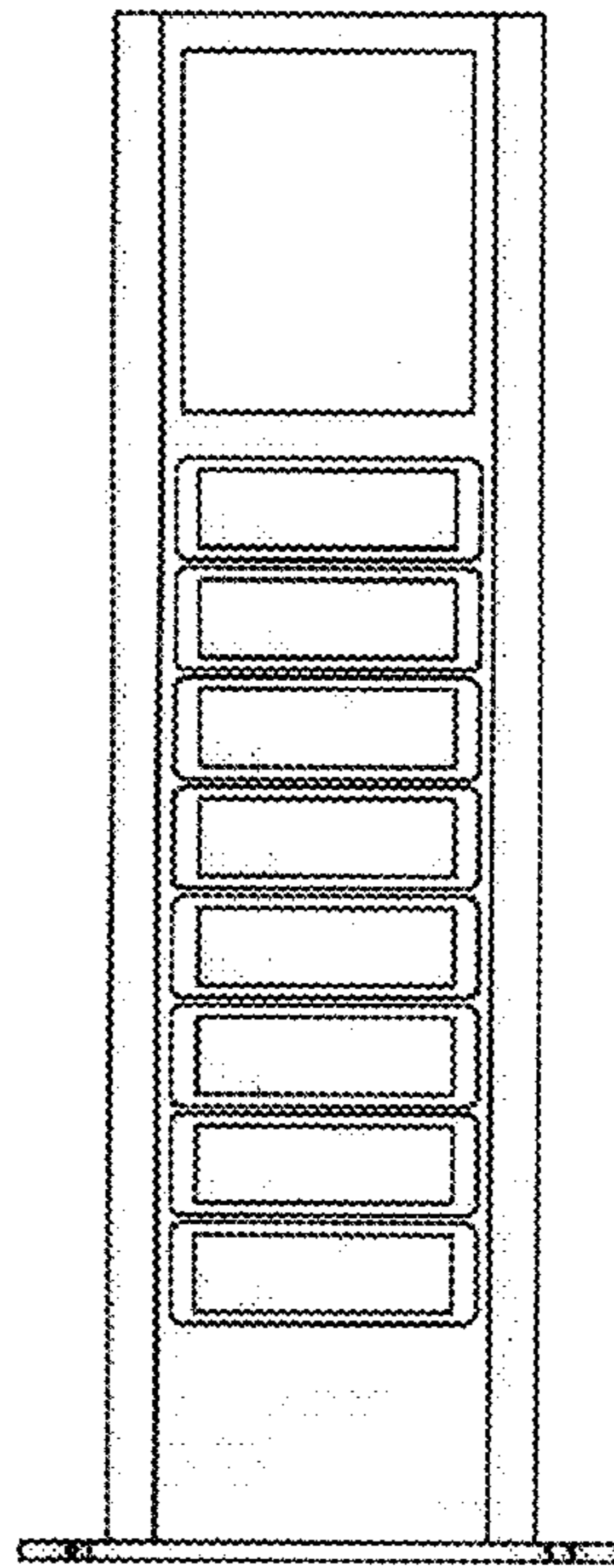


Fig. 1

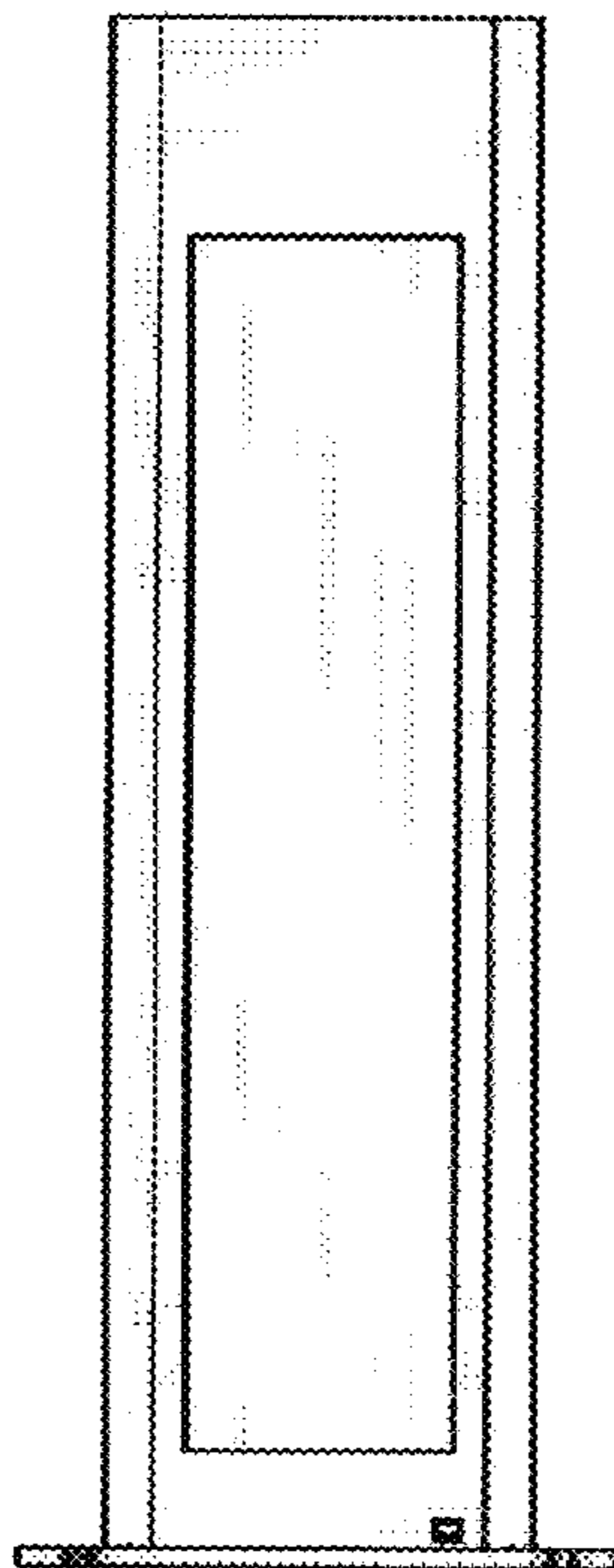


Fig. 2

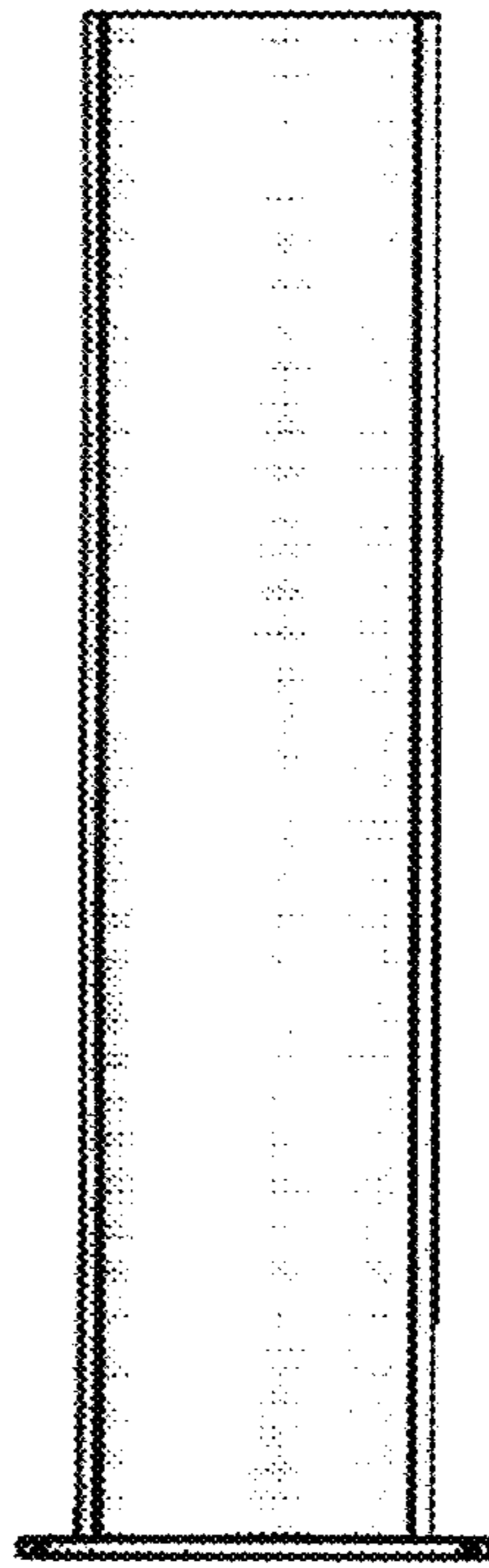


Fig. 3

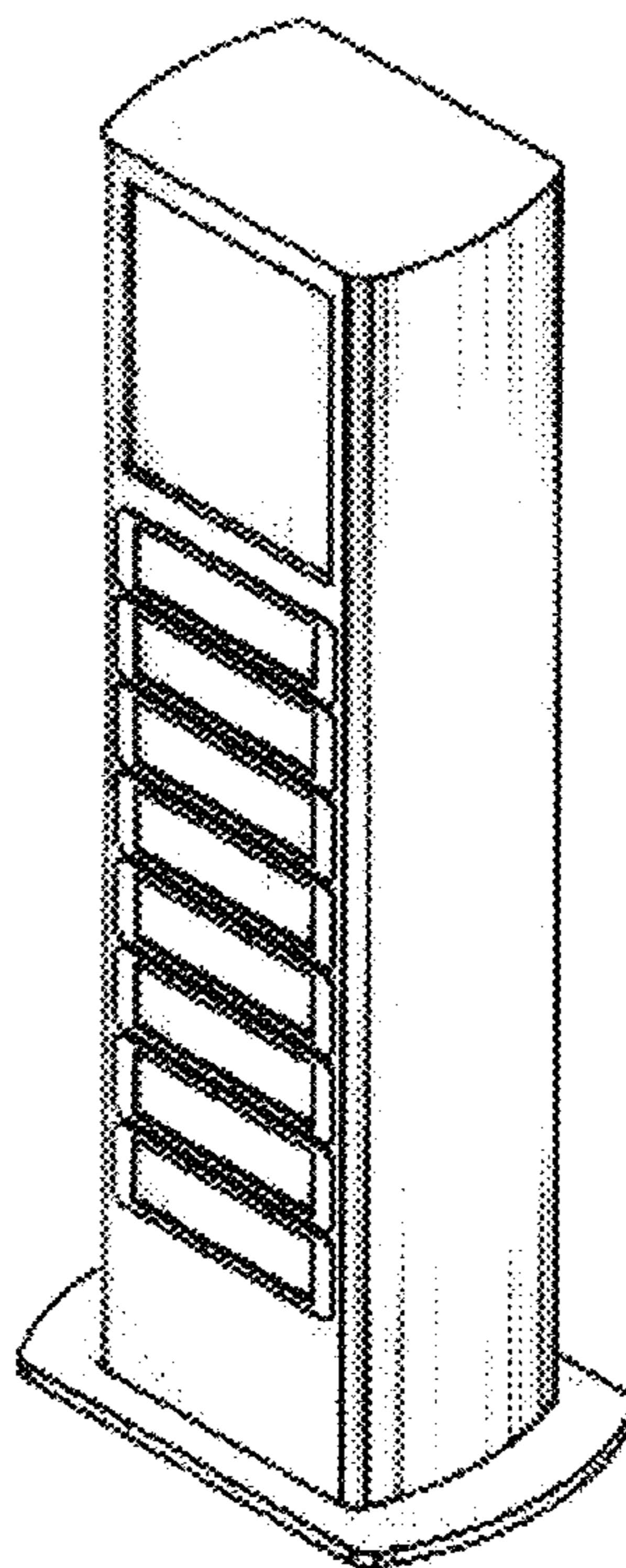


Fig. 4

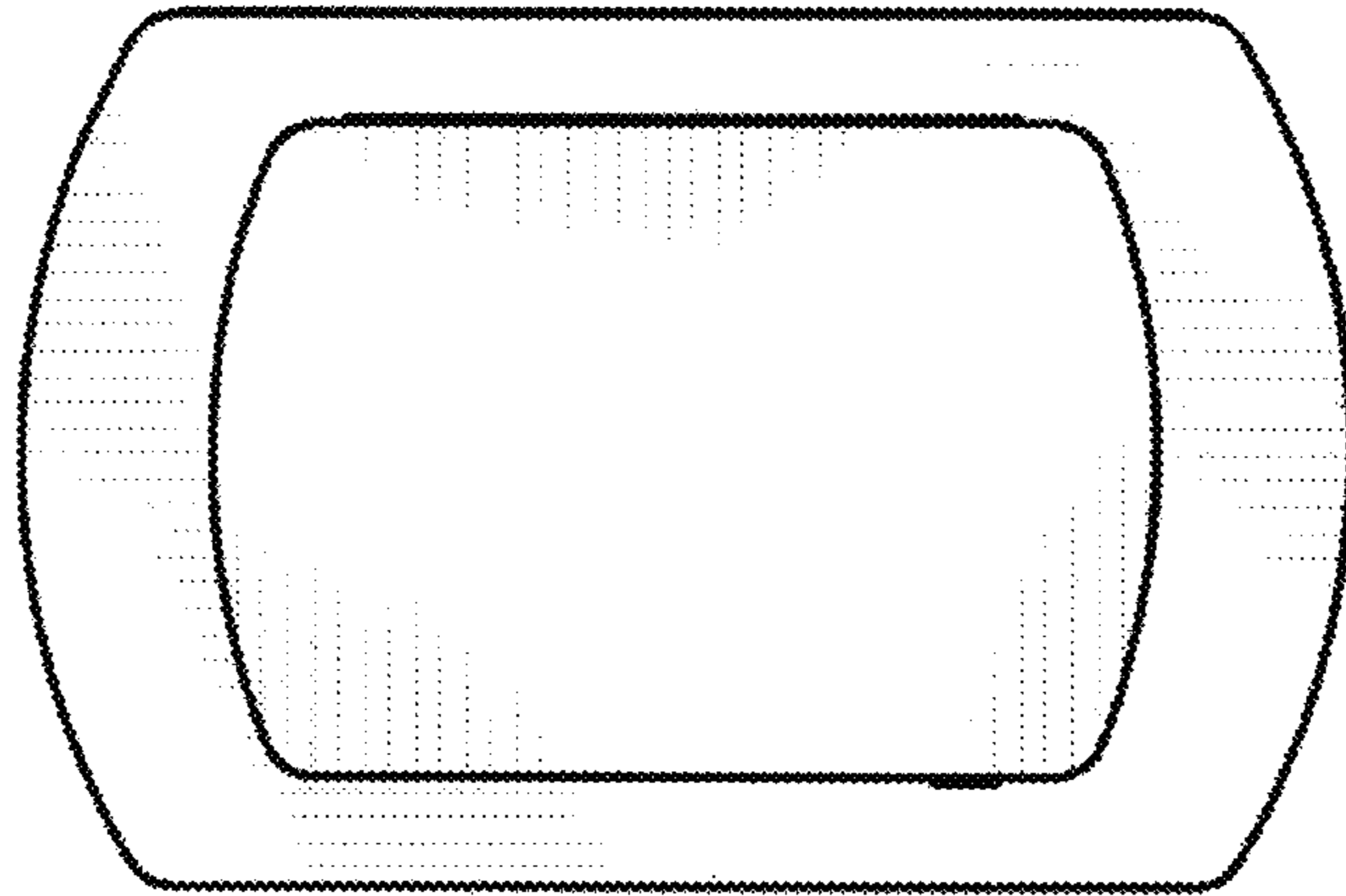


Fig. 5

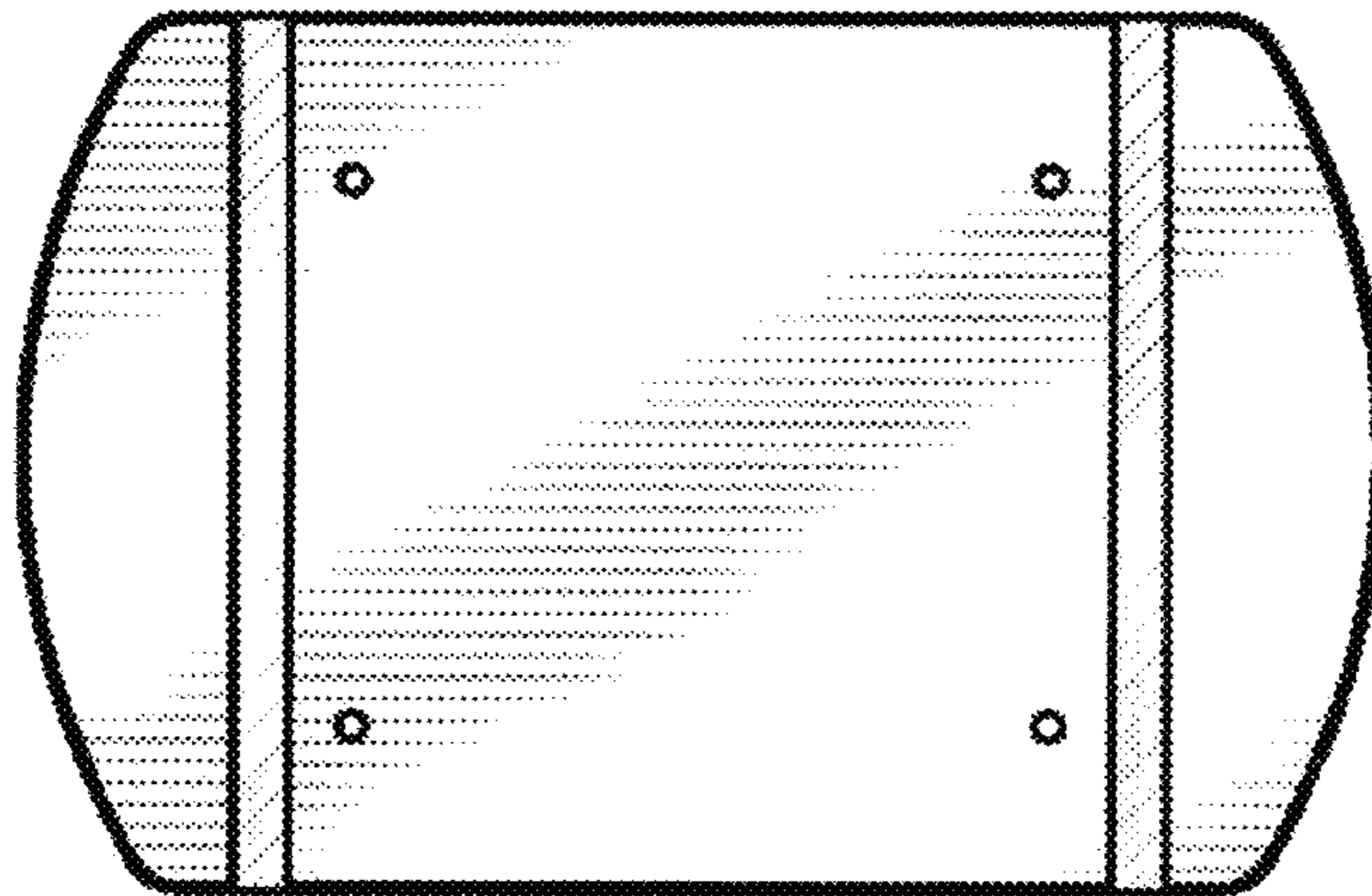


Fig. 6