



US00D775621S

(12) **United States Design Patent**
Corrado

(10) **Patent No.:** **US D775,621 S**
(45) **Date of Patent:** **** Jan. 3, 2017**

(54) **COMPUTER SECURITY ENCLOSURE**

(71) Applicant: **Toad Weevil Productions Inc.**, Port Moody (CA)
(72) Inventor: **Michael K. Corrado**, Port Moody (CA)
(73) Assignee: **Toad Weevil Productions Inc.**, Port Moody (CA)

(**) Term: **14 Years**
(21) Appl. No.: **29/511,904**
(22) Filed: **Dec. 15, 2014**

(30) **Foreign Application Priority Data**
Jun. 17, 2014 (CA) 157258
(51) **LOC (10) Cl.** **14-03**
(52) **U.S. Cl.**
USPC **D14/253**
(58) **Field of Classification Search**
USPC D14/253, 251, 240, 217, 496, 440, 423,
D14/447, 439, 432, 300; D8/381, 323
CPC H04M 1/00; H04M 1/04; H04M 1/06;
H04M 1/11
See application file for complete search history.

(56) **References Cited**

U.S. PATENT DOCUMENTS

D613,731 S *	4/2010	Yeo	D14/253
D703,657 S *	4/2014	Carnevali	D14/253
D723,536 S *	3/2015	Werth	D14/253
D740,249 S *	10/2015	Park	D14/188
D753,642 S *	4/2016	Iimuro	D14/253

* cited by examiner

Primary Examiner — Cynthia Underwood
(74) *Attorney, Agent, or Firm* — Taylor IP, P.C.

(57) **CLAIM**

The ornamental design for a computer security enclosure, as shown and described.

DESCRIPTION

FIG. 1 is a perspective view of the computer security enclosure in accordance with the design;
FIG. 2 is a front view thereof;
FIG. 3 is a rear view thereof;
FIG. 4 is a left side view thereof;
FIG. 5 is a top plan view thereof; and,
FIG. 6 is a bottom view thereof.

1 Claim, 6 Drawing Sheets

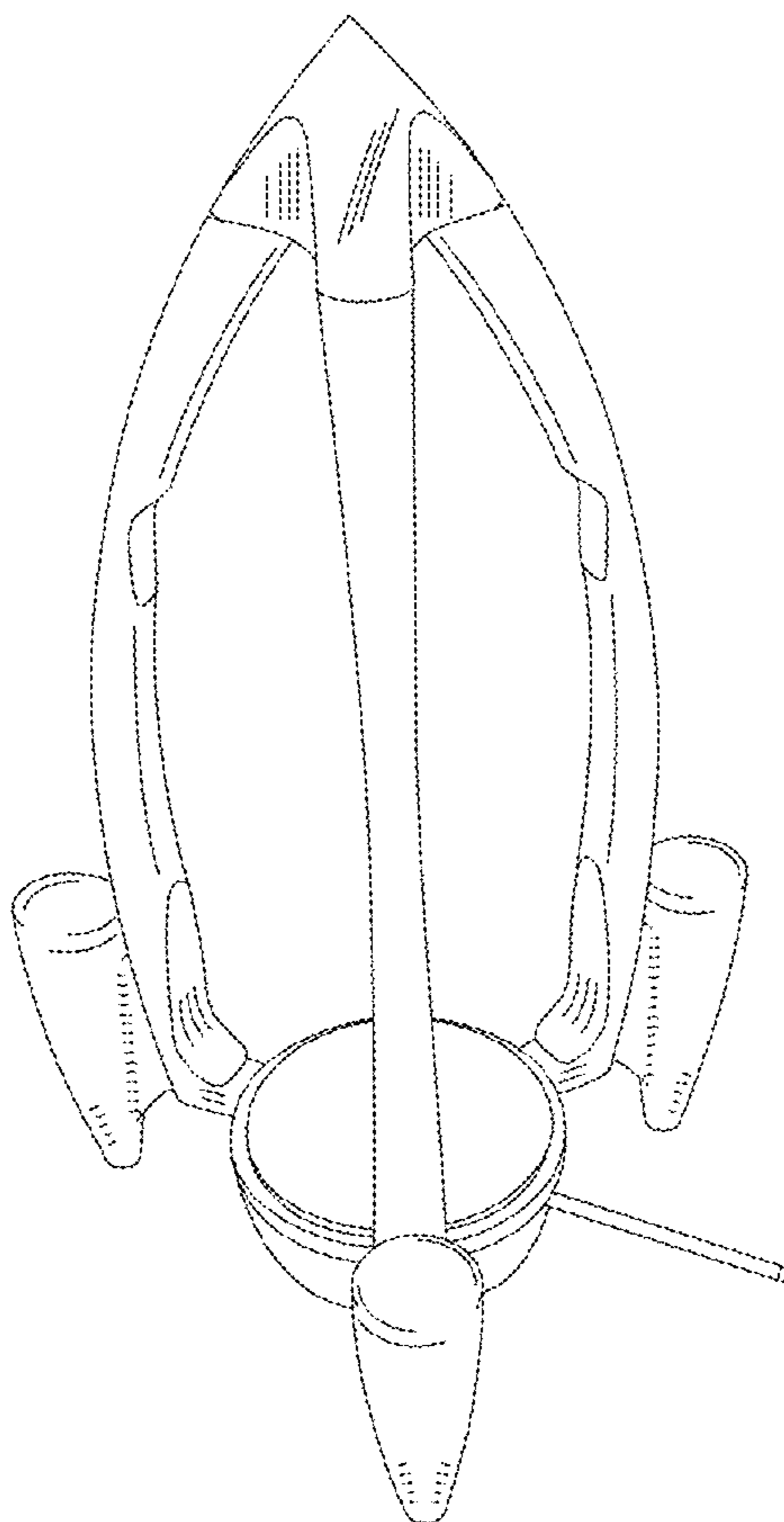
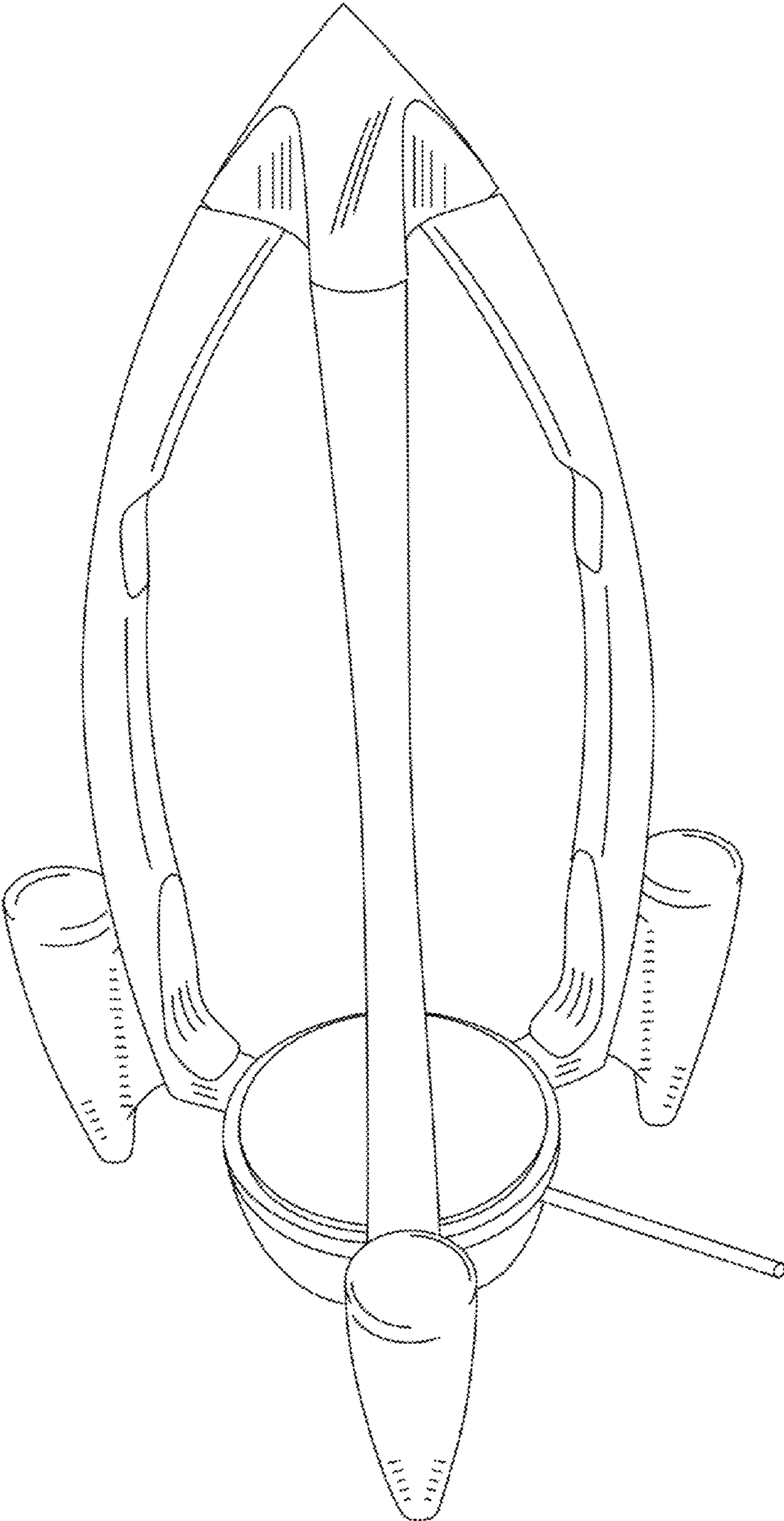


FIG. 1



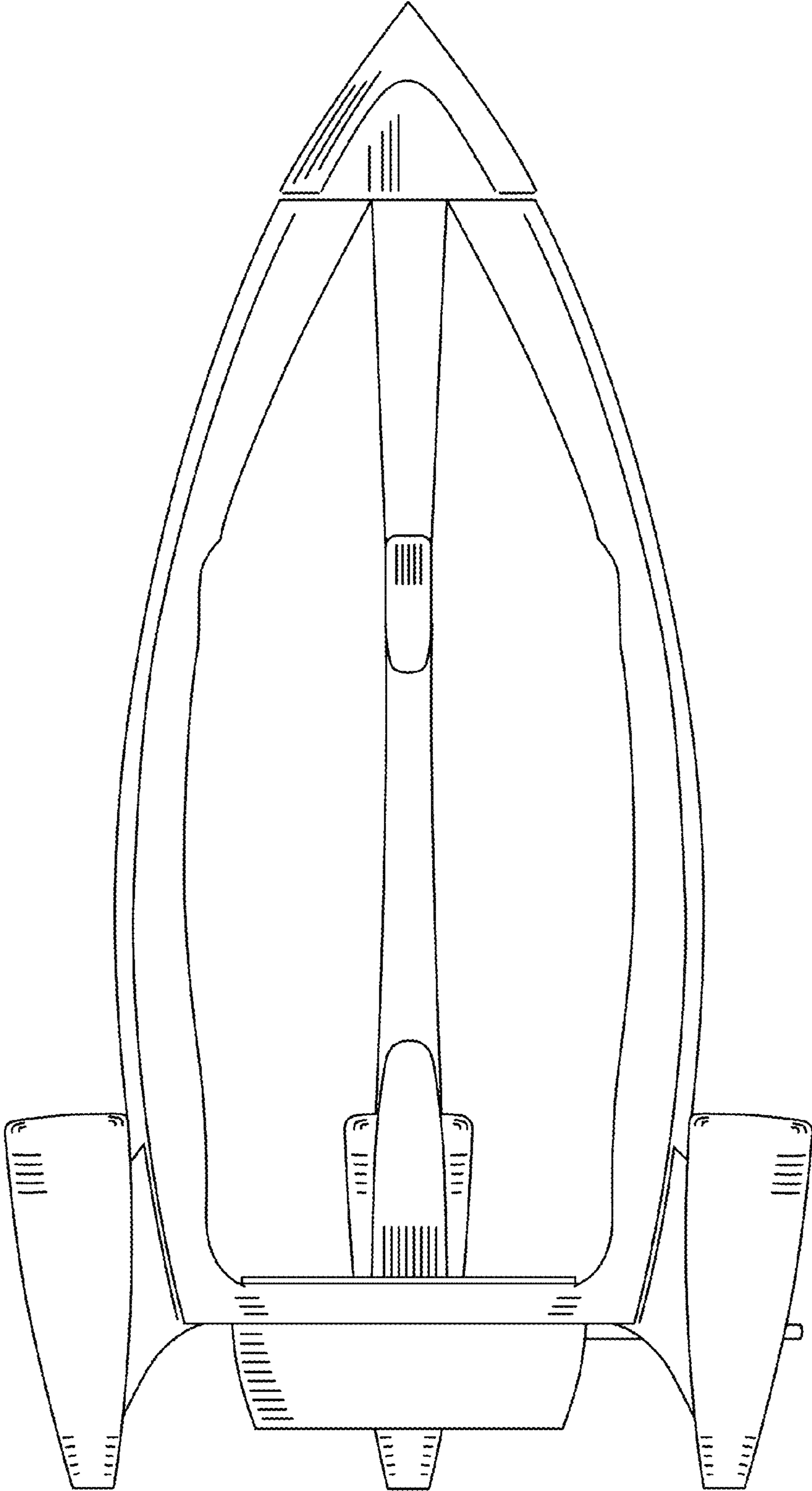


FIG. 2

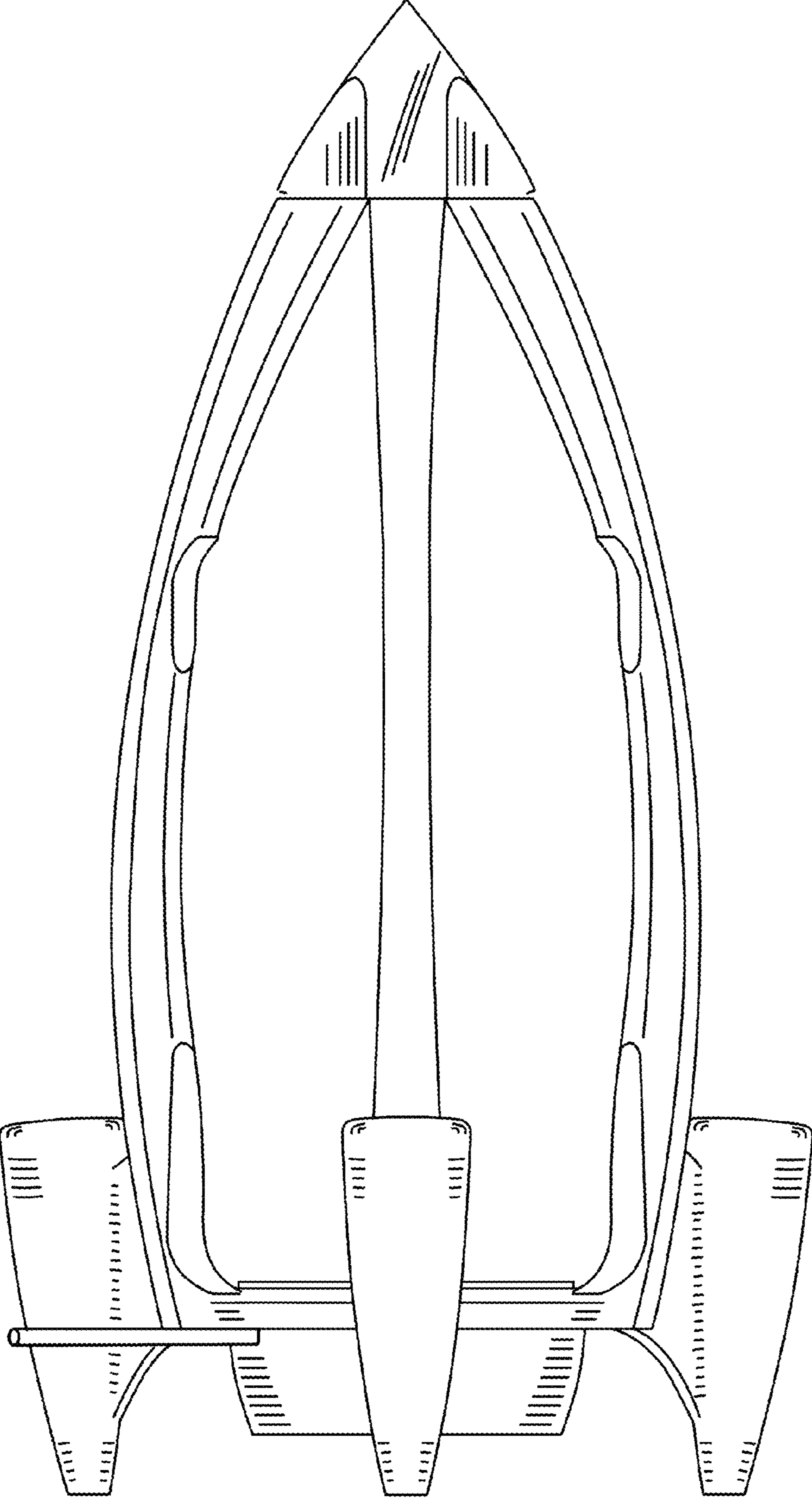


FIG. 3

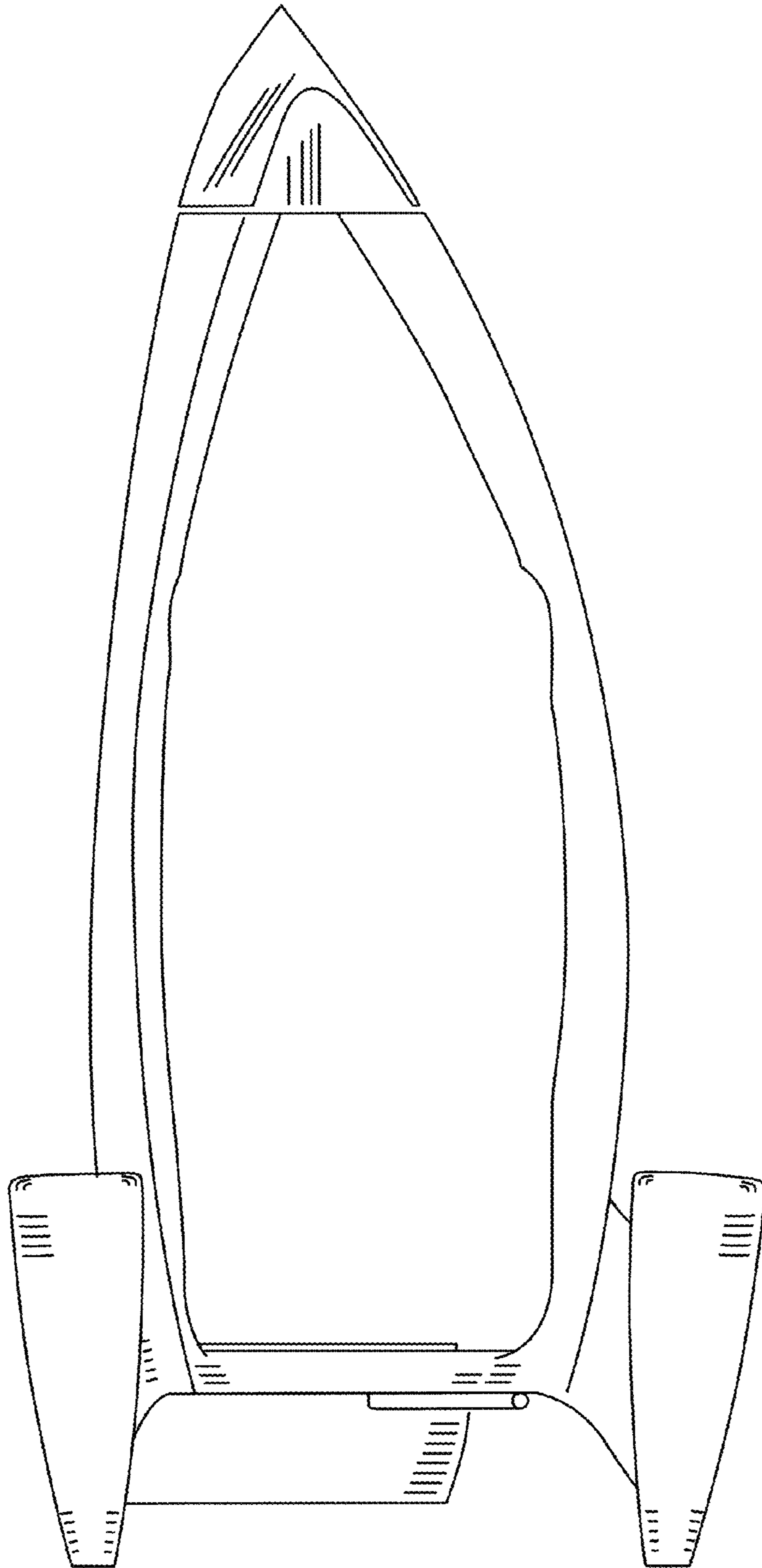
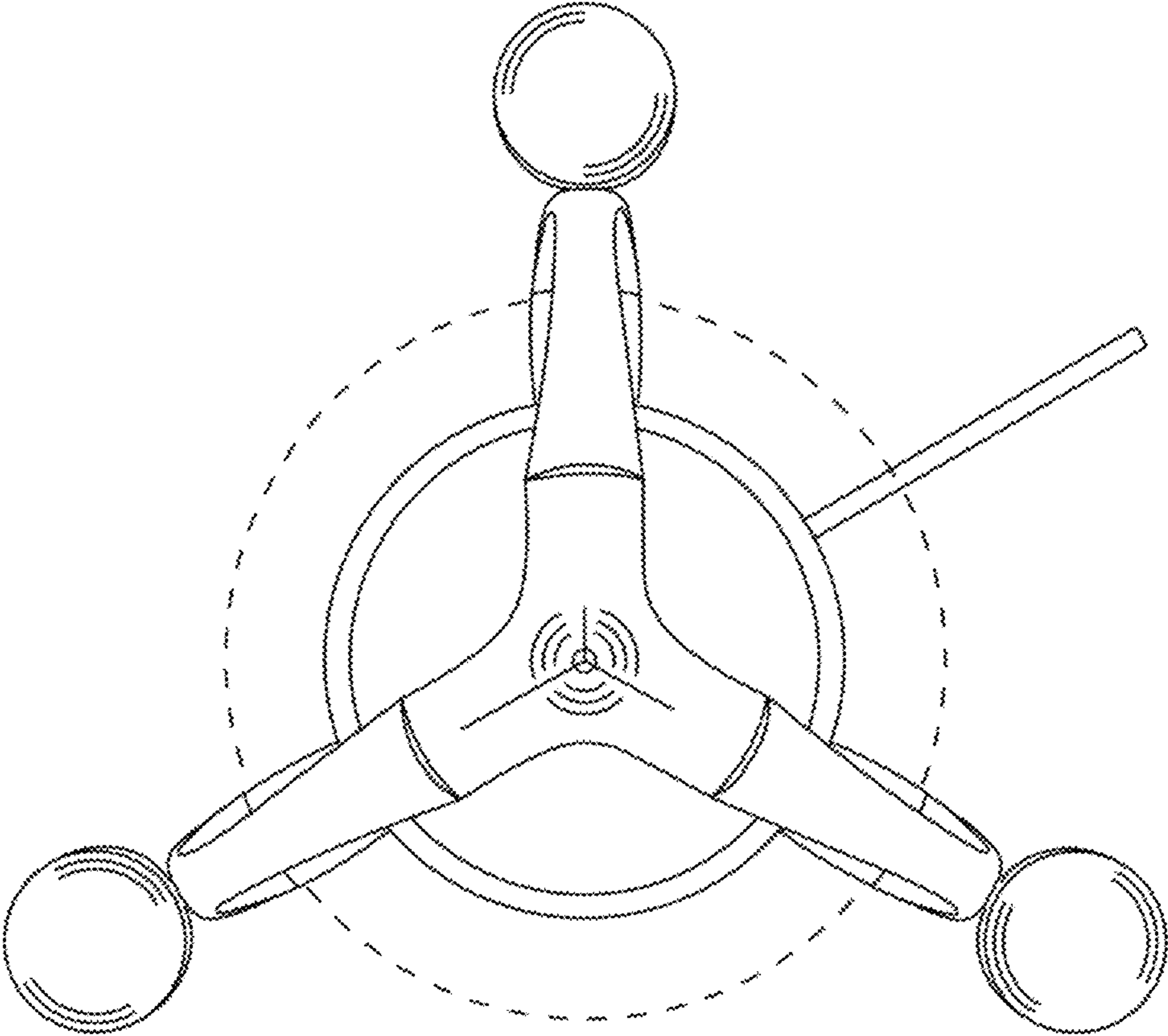


FIG. 4

FIG. 5



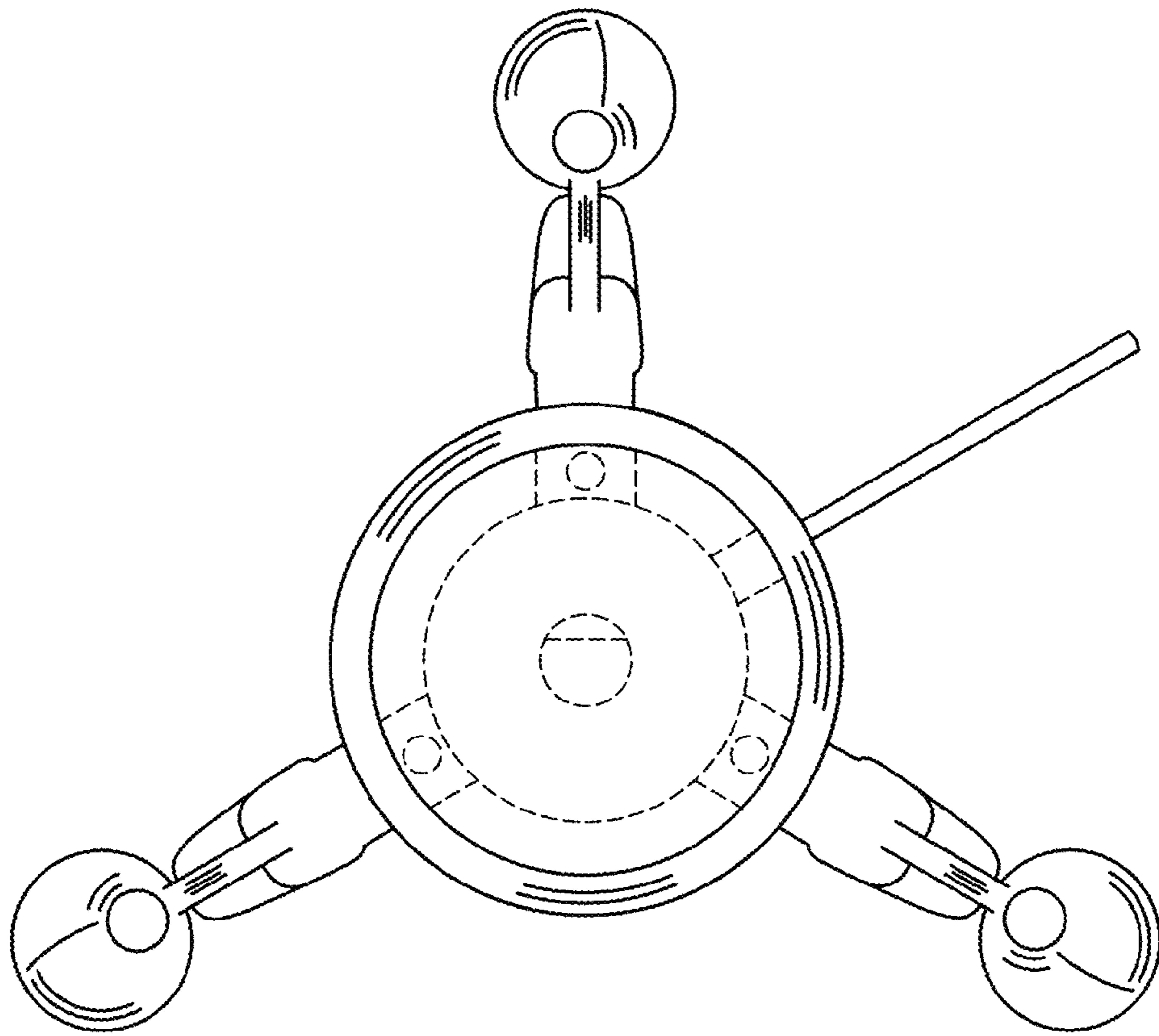


FIG. 6