



US00D775620S

(12) **United States Design Patent** (10) **Patent No.:** **US D775,620 S**
Kim (45) **Date of Patent:** **** Jan. 3, 2017**

(54) **CASE FOR ELECTRONIC DEVICE**

(71) Applicant: **Dae-Young Kim**, Seoul (KR)

(72) Inventor: **Dae-Young Kim**, Seoul (KR)

(73) Assignee: **SPIGEN KOREA CO., LTD.**,
Geumcheon-Gu, Seoul (KR)

(**) Term: **15 Years**

(21) Appl. No.: **29/568,012**

(22) Filed: **Jun. 14, 2016**

Related U.S. Application Data

(63) Continuation of application No. 29/495,236, filed on Jun. 27, 2014.

(51) **LOC (10) Cl.** **14-05**

(52) **U.S. Cl.**
USPC **D14/250**

(58) **Field of Classification Search**
USPC D14/250–253, 440, 203.3–203.7, 217,
D14/496, 248, 238.1, 240, 447, 230, 247,
D14/341, 345, 346, 439; D3/201, 218,
D3/269, 301, 273, 303; D13/103,
D13/107–108; 220/4.02; 248/309.1;
361/679.56; 379/426, 433.11, 455;
455/575.1, 575.8; 190/100; 206/305,
206/320

CPC . A45C 2011/002; A45C 11/00; A45C 13/002;
A45C 2011/003; H04M 1/0283; H04M
1/0202; H04M 1/185; H04B 1/3888

See application file for complete search history.

(56) **References Cited**

U.S. PATENT DOCUMENTS

D657,782 S 4/2012 Biller
D675,604 S * 2/2013 Limber D14/250
8,457,701 B2 * 6/2013 Diebel H04B 1/3888
206/701
D689,852 S 9/2013 Azoulay
D698,773 S * 2/2014 Wildner D14/250

D703,652 S 4/2014 Melanson
D703,655 S 4/2014 Melanson
D706,255 S * 6/2014 Akana D14/250
D714,274 S * 9/2014 Jung D14/250
D724,572 S * 3/2015 Wildner D14/250
D732,012 S * 6/2015 Tsai D14/250
D732,498 S 6/2015 Huang
D733,693 S * 7/2015 Wang D14/248
D736,205 S 8/2015 Park
D739,391 S 9/2015 Chen

(Continued)

OTHER PUBLICATIONS

iPhone SE 5S 5 Tough Case, Fone-Stuff®—2 Layer Armor Shell Hardback Cover in White (Includes Screen Protector); “https://www.amazon.co.uk/iPhone-Tough-Case-Fone-Stuff%C2%AEProtector/dp/B00J7Y547O/ref=sr_1_4?ie=UTF8&qid=1469387051&sr=8-4&keywords=fone+stuff+tough+iphone+case”; available online Mar. 24, 2014 (retrieved Jul. 24, 2016).*

(Continued)

Primary Examiner — Sandra Snapp

Assistant Examiner — Holly E Thurman

(74) *Attorney, Agent, or Firm* — East West Law Group;
Heedong Chae

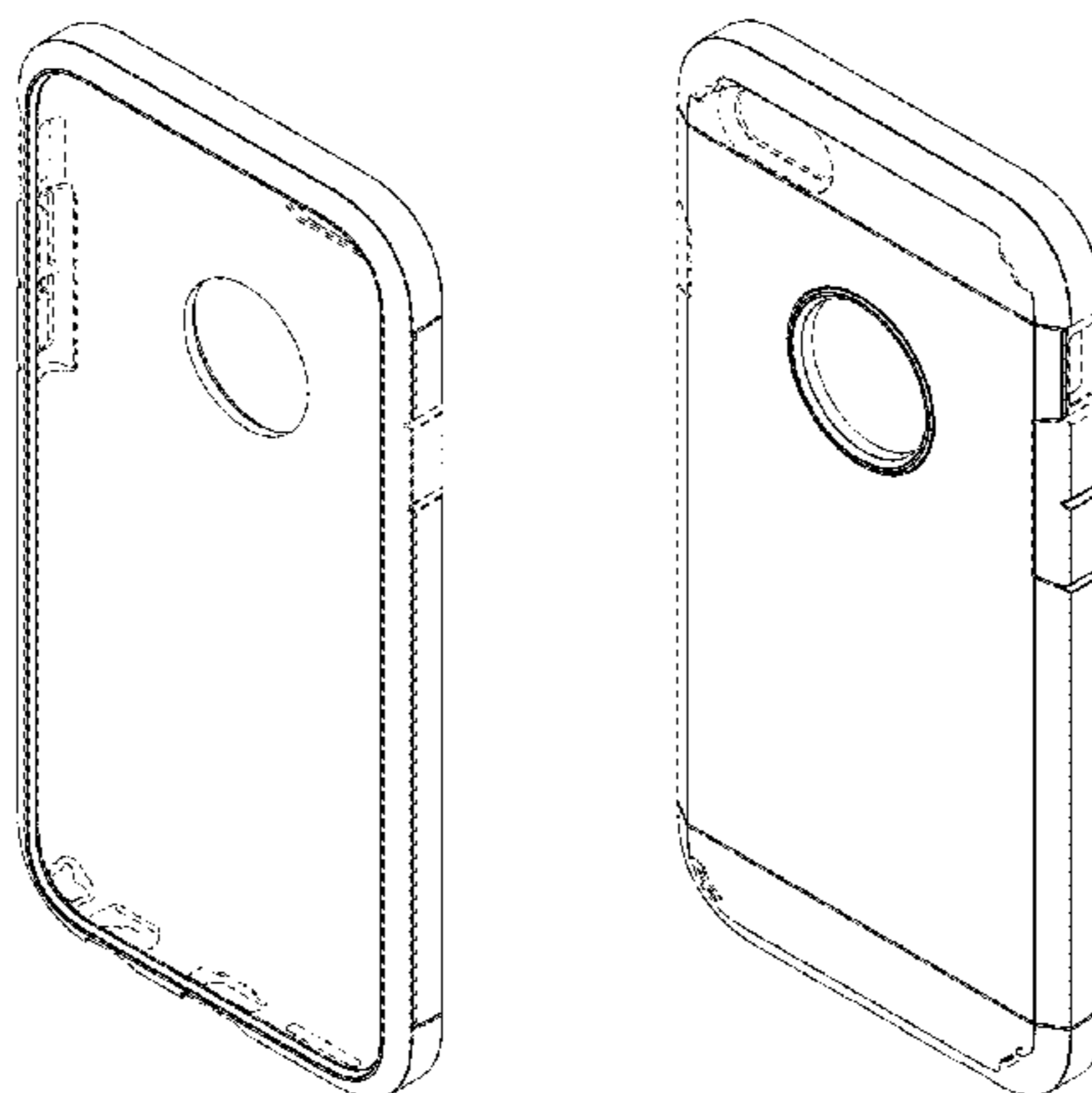
(57) **CLAIM**

The ornamental design for a case for electronic device, as shown and described.

DESCRIPTION

FIG. 1 is a front perspective view of a case for electronic device showing my new design;
FIG. 2 is another front perspective view thereof;
FIG. 3 is a rear perspective view thereof;
FIG. 4 is a front elevational view thereof;
FIG. 5 is a rear elevational view thereof;
FIG. 6 is a left side elevational view thereof;
FIG. 7 is a right side elevational view thereof;
FIG. 8 is a top plan view thereof; and,
FIG. 9 is a bottom plan view thereof.

(Continued)



The broken lines depict of unclaimed environment and form no part of the claimed design.

1 Claim, 9 Drawing Sheets

(56)

References Cited

U.S. PATENT DOCUMENTS

D741,279 S	10/2015	Tai
D741,844 S	10/2015	Rayner
D741,845 S	10/2015	Kim
D743,389 S	11/2015	Akana
D743,931 S	11/2015	Hubbard
D744,471 S	12/2015	Fitzgerald
D746,275 S	12/2015	Mohammad
D746,805 S	1/2016	Kim
D747,306 S	1/2016	Kim
D748,614 S	2/2016	Ju
D749,563 S	2/2016	Akana
D749,567 S	2/2016	Lee
D749,591 S	2/2016	Akana
9,247,795 B2	2/2016	Kim
D752,037 S	3/2016	Akana
9,295,174 B2	3/2016	Witter
9,301,414 B2	3/2016	Chao
D753,099 S	4/2016	Kim
D753,641 S	4/2016	Roberts

D754,651 S	4/2016	Roberts
D754,652 S	4/2016	Roberts et al.
D757,703 S *	5/2016	Kanazawa D14/250
D759,641 S *	6/2016	Lai D14/250
D761,239 S *	7/2016	Kim D14/250
2011/0297578 A1 *	12/2011	Stiehl B29C 45/1676 206/701
2012/0103844 A1 *	5/2012	Piedra A45F 5/021 206/320
2013/0175186 A1 *	7/2013	Simmer A45C 11/00 206/37
2014/0216952 A1 *	8/2014	Liang H04M 1/18 206/37
2014/0284096 A1	9/2014	Wu

OTHER PUBLICATIONS

“iPhone SE/5s/5/TONE,”<https://www.switcheasy.com/iphone-se5s/24-tones>, Downloaded Jun. 13, 2016, 4Page.

“Lunatik SMK5-001 Seismik Touch Suspension Frame for iPhone 5/iPhone 5S—Retail Packaging—Black/Smoke,” https://www.amazon.com/Lunatik-SMK5-001-Seismik-Suspension-iPhone/dp/B00BF780QS?ie=UTF8&*Version*=1&*entries*=0, Downloaded Jun. 13, 2016, 8 Pages.

“iPhone 5S/5 Case Slim Armor,”<http://www.spigen.com/products/iphone-5s-5-case-slim-armor-s?variant=1162051877> Downloaded Jun. 13, 2016, 4Page.

* cited by examiner

FIG. 1

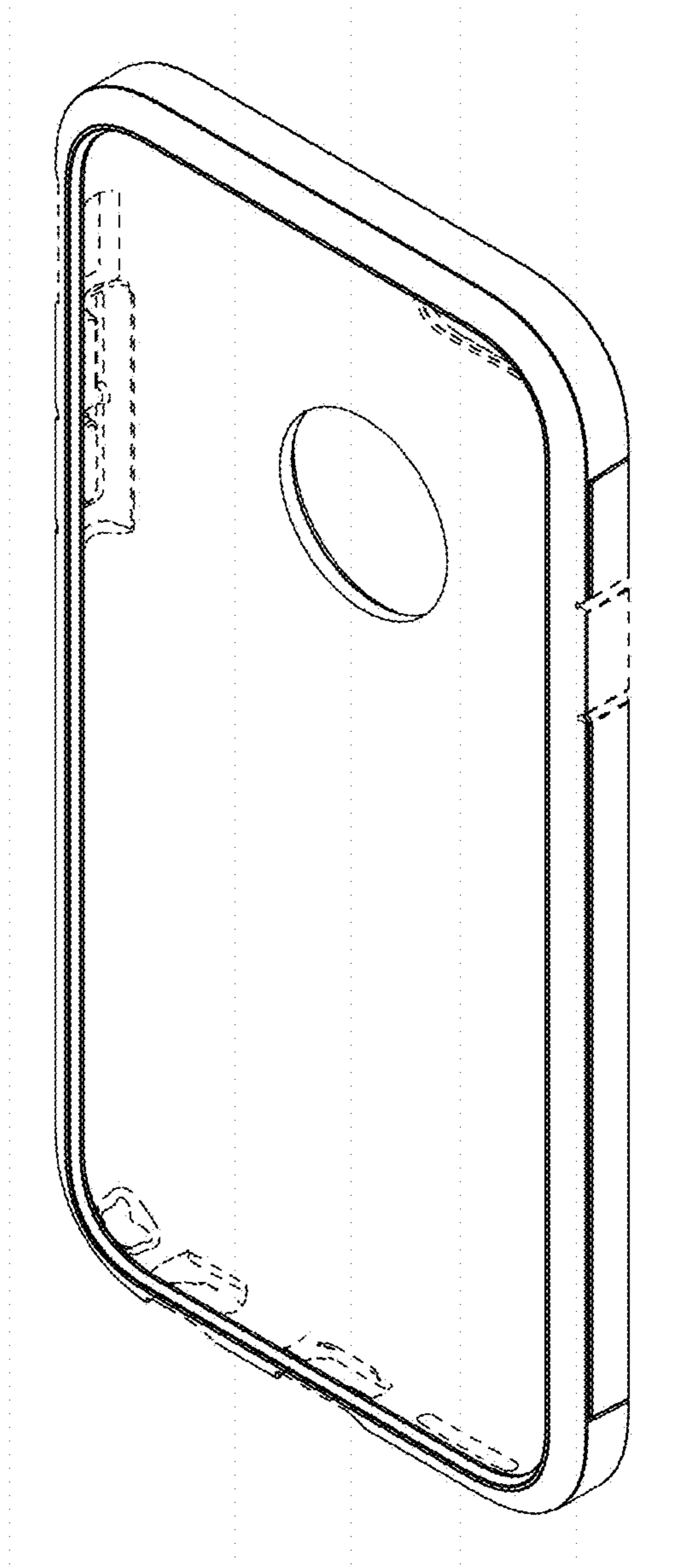


FIG. 2

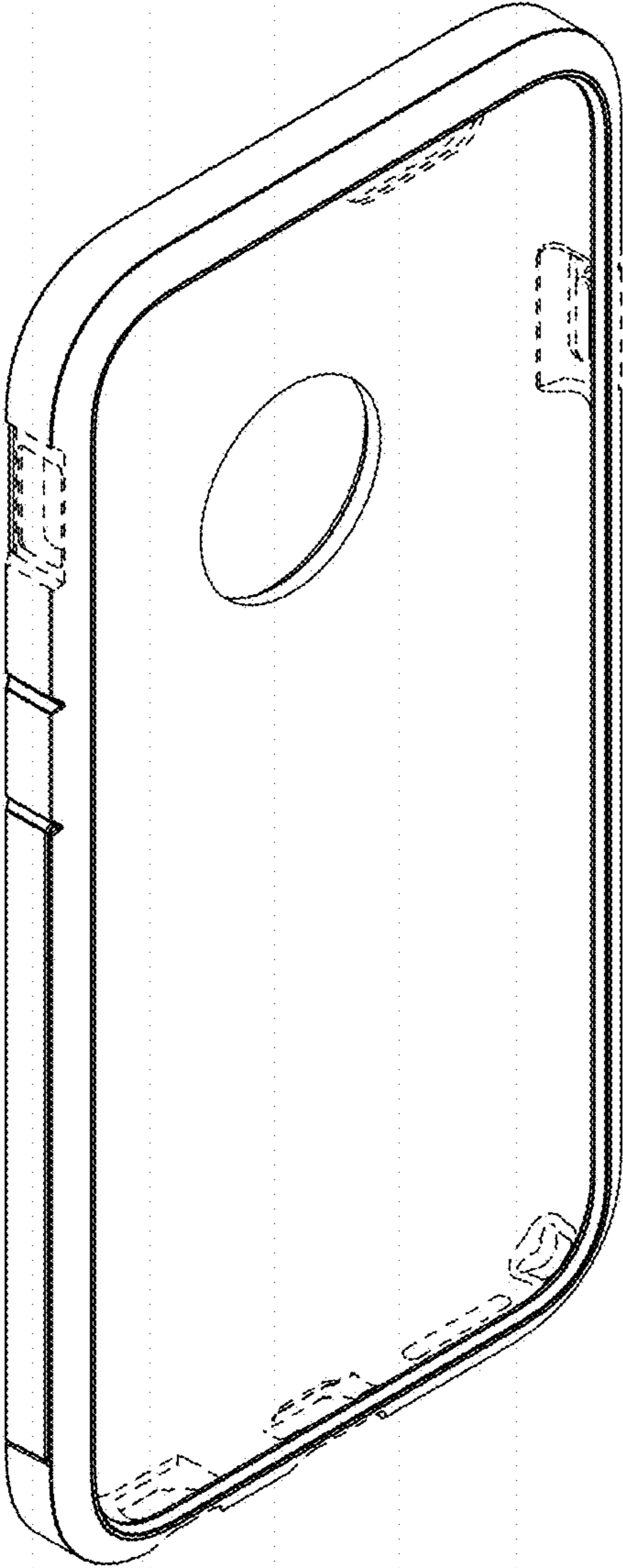


FIG. 3

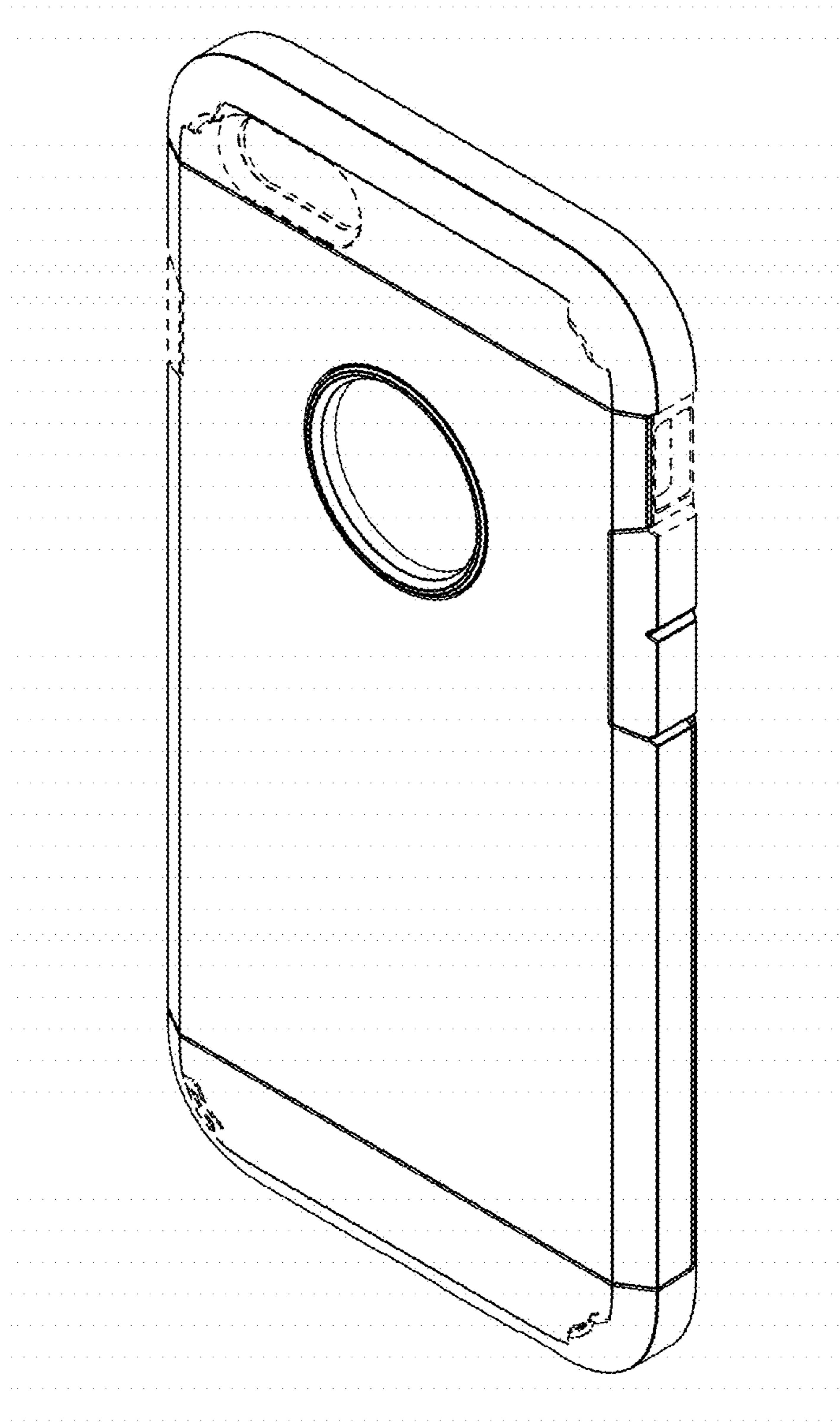


FIG. 4

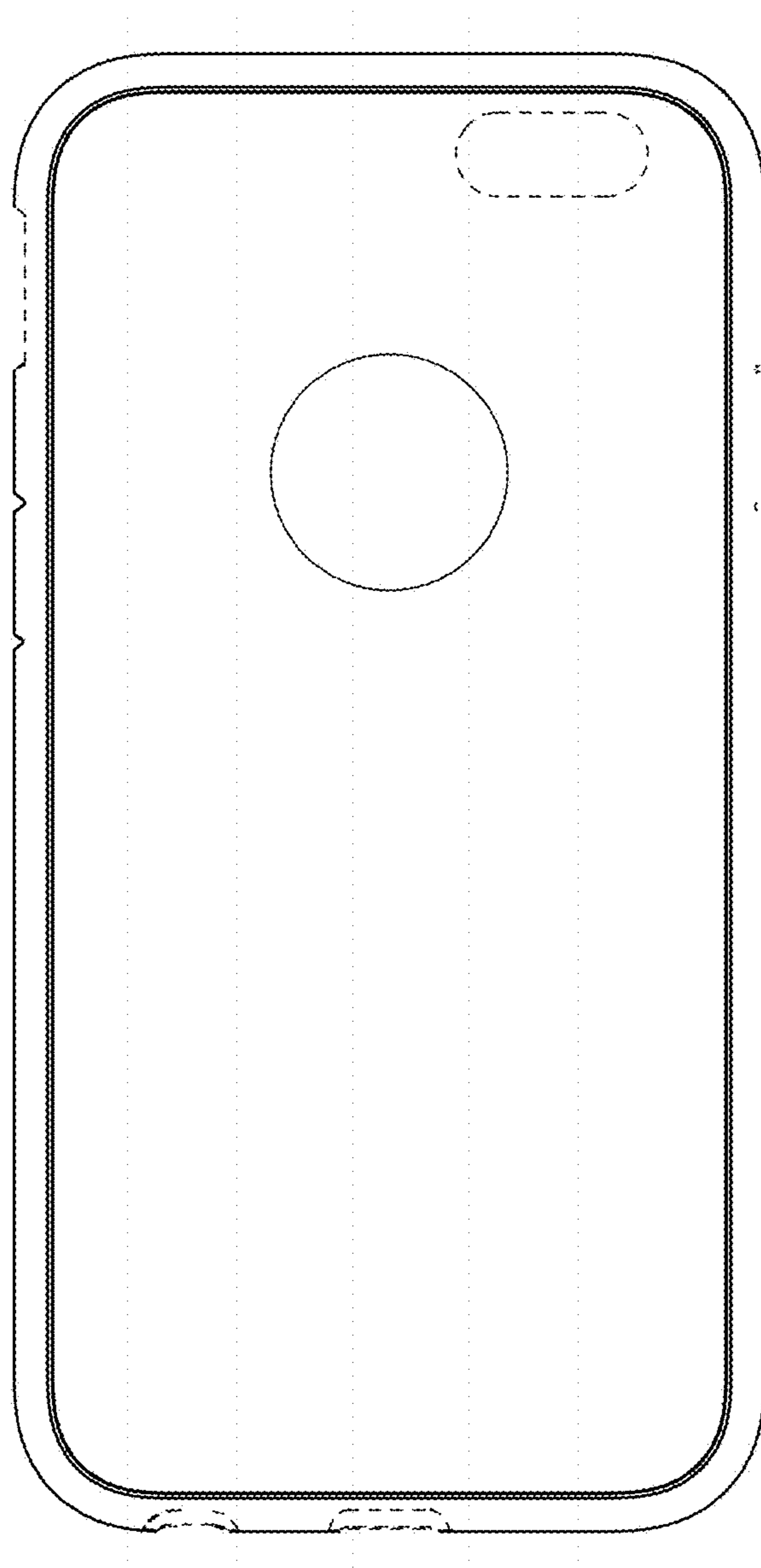


FIG. 5

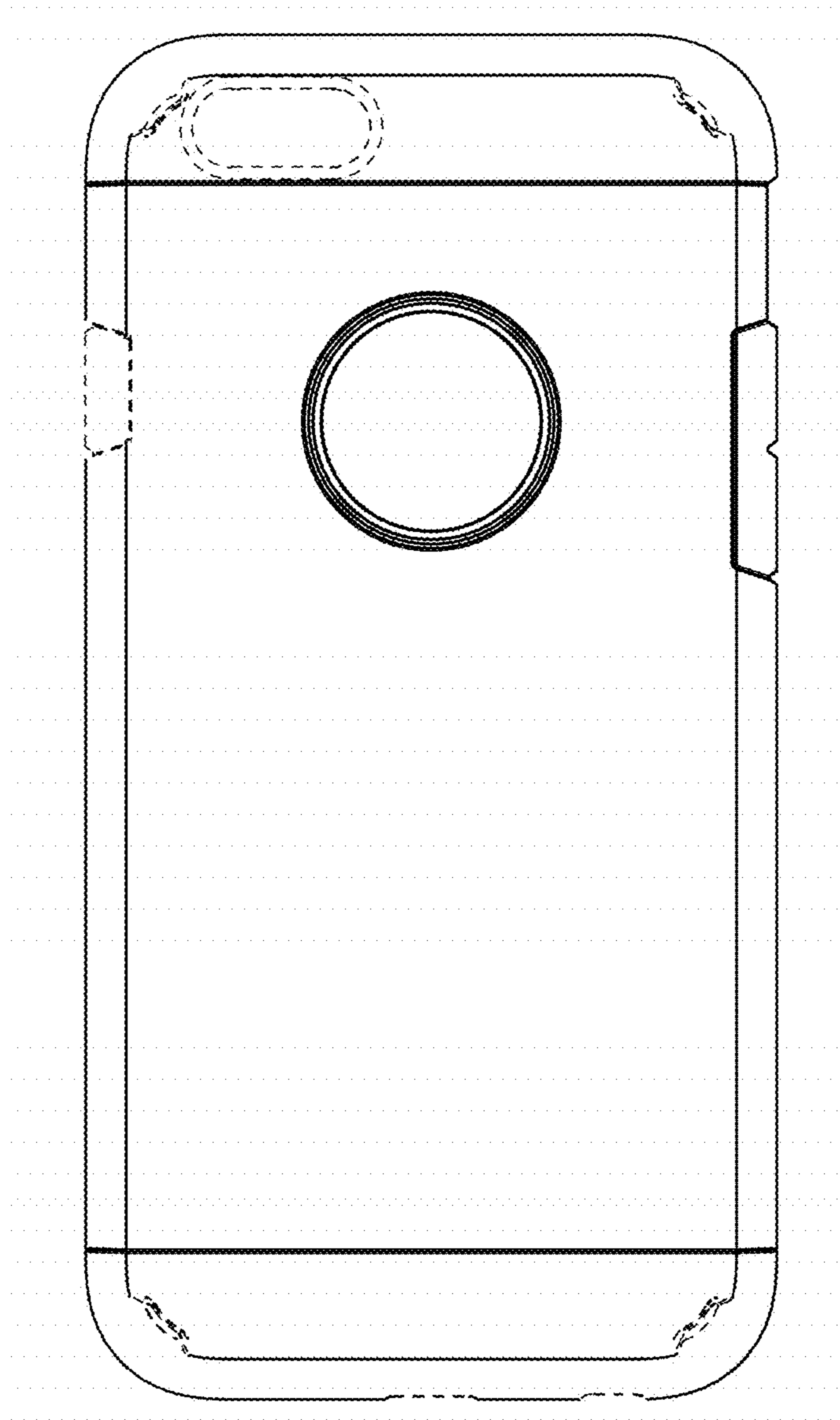


FIG. 6

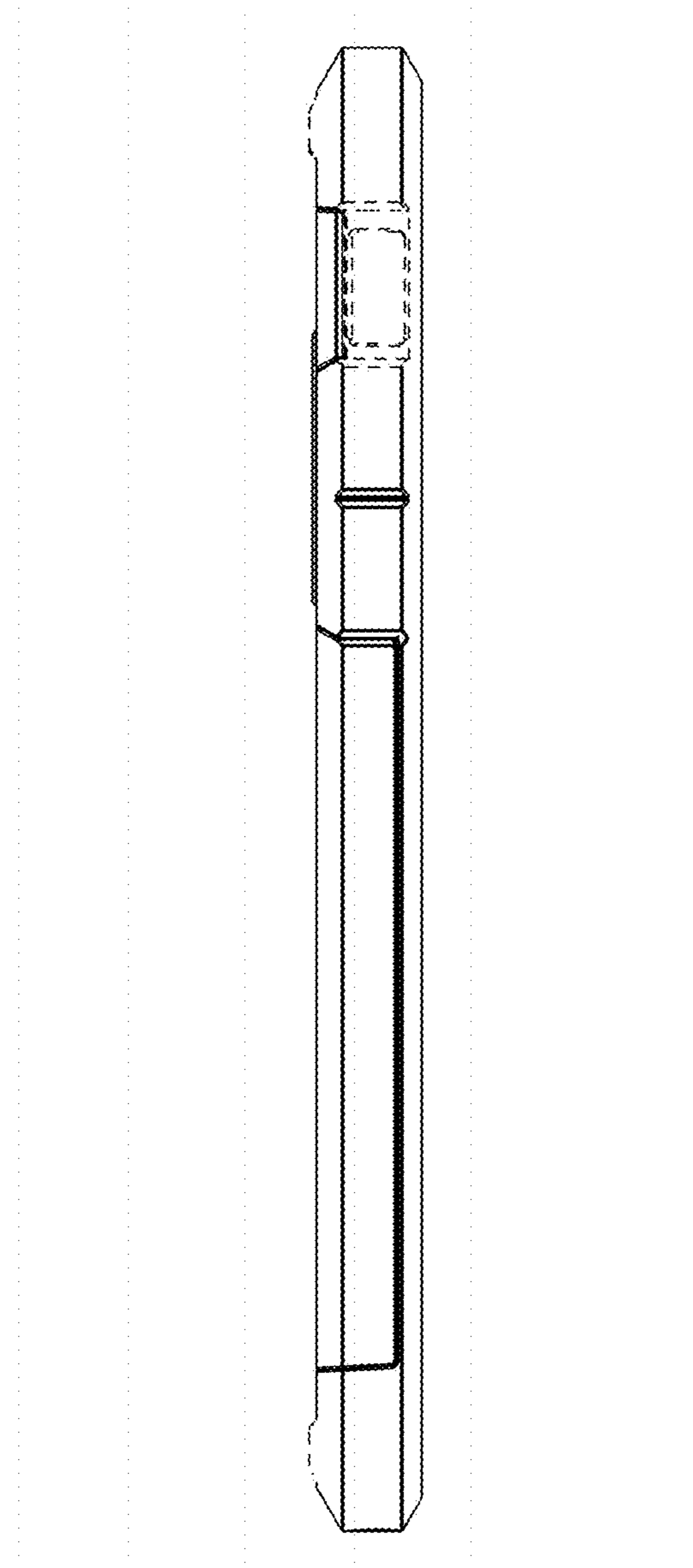


FIG. 7

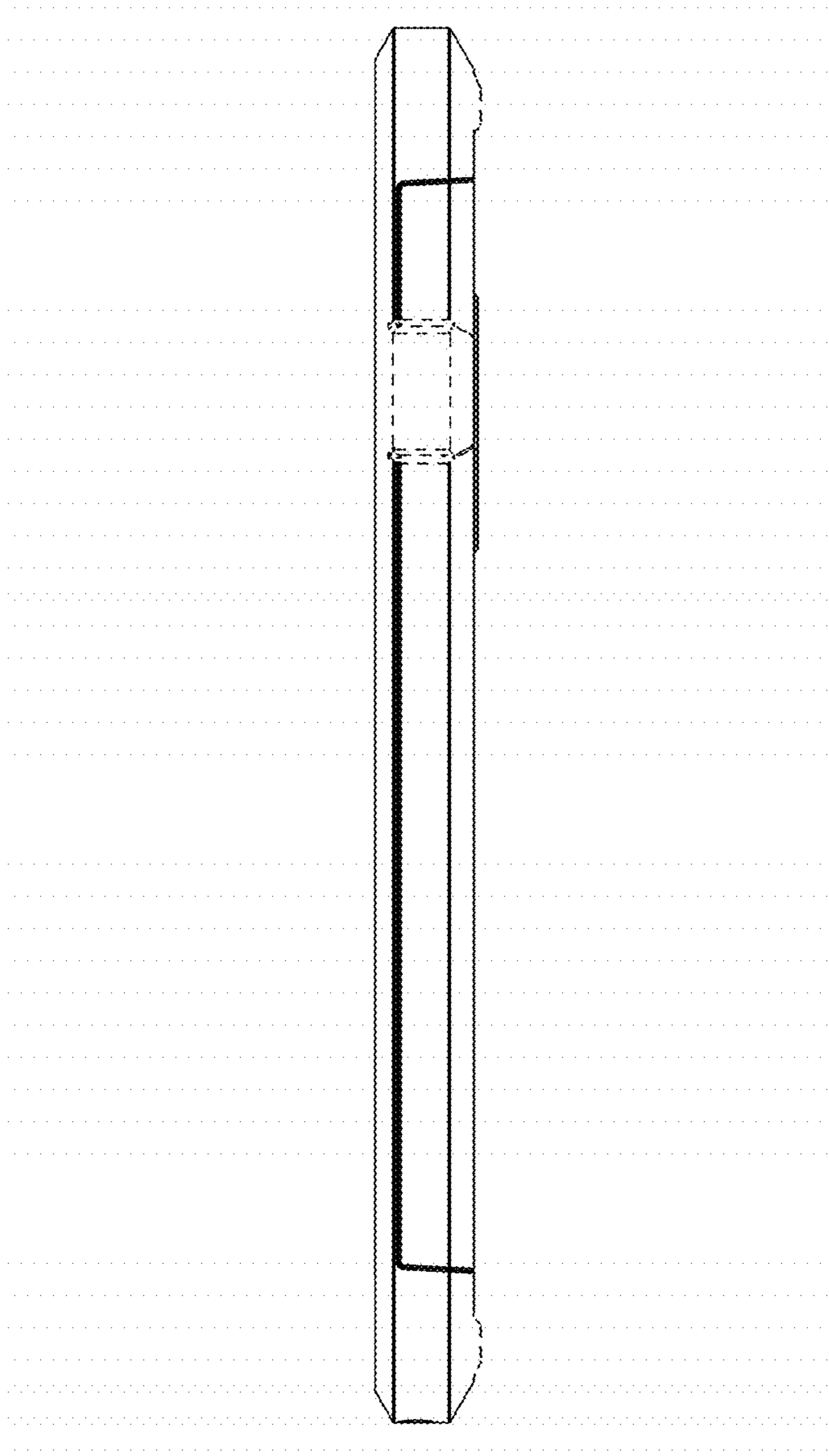


FIG. 8

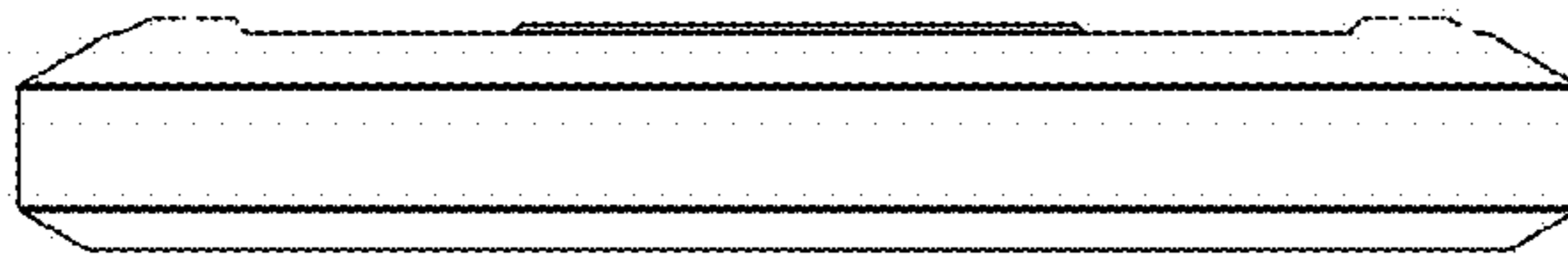


FIG. 9

