



US00D775619S

(12) **United States Design Patent**
Tien

(10) **Patent No.:** **US D775,619 S**

(45) **Date of Patent:** **** Jan. 3, 2017**

(54) **PROTECTIVE COVER FOR ELECTRONIC COMMUNICATIONS DEVICE**

(71) Applicant: **HON HAI PRECISION INDUSTRY CO., LTD.**, New Taipei (TW)

(72) Inventor: **Li-Wen Tien**, New Taipei (TW)

(73) Assignee: **HON HAI PRECISION INDUSTRY CO., LTD.**, New Taipei (TW)

(**) Term: **15 Years**

(21) Appl. No.: **29/540,030**

(22) Filed: **Sep. 21, 2015**

(30) **Foreign Application Priority Data**

Jun. 30, 2015 (CN) 2015 3 0234515

(51) **LOC (10) Cl.** **14-03**

(52) **U.S. Cl.**
USPC **D14/250**

(58) **Field of Classification Search**
USPC D14/238.1, 440, 203.3-203.7, 217, 240,
D14/248, 251-253, 447, 496, 250;
D3/201, 218, D3/247, 269, 273, 301, 303;
D13/103, D13/107-108, 119
CPC . H04B 1/3888; H04M 1/0283; H04M 1/0202;
A45C 1/06; A45C 11/00; A45C
13/02; A45C 2011/002; A45F 2005/026;
A45F 2200/0525; A45F 2200/0516
See application file for complete search history.

(56) **References Cited**

U.S. PATENT DOCUMENTS

3,866,873 A * 2/1975 Bohli F16B 11/006
102/406
6,550,108 B2 * 4/2003 Pratl H04B 1/3833
24/115 K

6,639,985 B1 * 10/2003 Liu H04M 1/0202
379/430
D590,386 S * 4/2009 Leith D14/248
7,661,567 B2 * 2/2010 Myers A45C 13/20
224/162
D641,154 S * 7/2011 Smith D3/218
D657,782 S * 4/2012 Biller D14/250

(Continued)

Primary Examiner — Carla Jobe Wright
(74) *Attorney, Agent, or Firm* — Zhigang Ma

(57) **CLAIM**

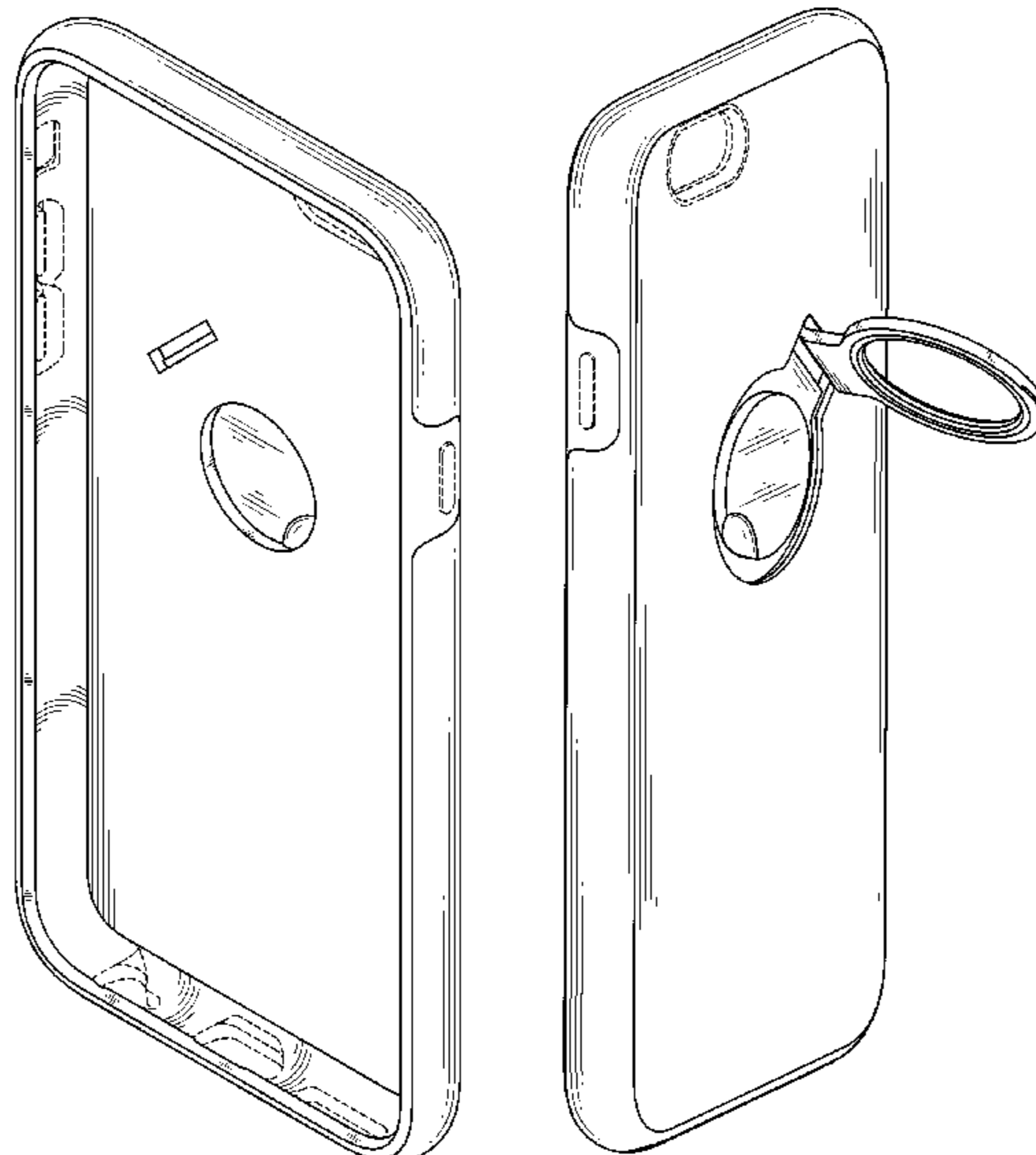
I claim the ornamental design for a protective cover for electronic communications device, as shown and described.

DESCRIPTION

FIG. 1 is a front perspective view of a protective cover for electronic communications device showing my new design; FIG. 2 is rear perspective view thereof; FIG. 3 is a front elevational view thereof; FIG. 4 is a rear elevational view thereof; FIG. 5 is a left side elevational view thereof; FIG. 6 is a right side elevational view thereof; FIG. 7 is a top plan view thereof; FIG. 8 is a bottom plan view thereof; and FIG. 9 is a rear perspective view thereof showing the finger loop in an extended position; FIG. 10 is a rear perspective view shown in a state of use with an environmental hand; and, FIG. 11 is a cross-sectional view taken in the direction of line XI-XI of FIG. 3.

The dot-dash broken line in FIG. 3 represents the cut line along which the cross-sectional view in FIG. 11 is taken. The dot-dot-dash broken line in FIG. 10 depicts an environmental hand that forms no part of the claimed design. All other broken lines depict portions of the protective cover for electronic communications device that form no part of the claimed design. The broken lines and unshaded regions bounded by broken lines form no part of the claimed design.

1 Claim, 11 Drawing Sheets



(56)

References Cited

U.S. PATENT DOCUMENTS

D687,026 S *	7/2013	Ruvolo	D14/250	2011/0084081 A1*	4/2011	Chung	A45C 11/00
8,548,536 B1 *	10/2013	Gunnip	H04M 1/04					220/628
				248/585	2011/0266316 A1*	11/2011	Ghalib	A45F 5/00
8,550,317 B2 *	10/2013	Hyseni	A45F 5/00					224/217
				224/197	2013/0146625 A1*	6/2013	Karle	A45F 5/00
8,746,448 B1 *	6/2014	Bellace	A45F 5/00					224/217
				206/320	2013/0148271 A1*	6/2013	Huang	H04B 1/3888
D711,866 S *	8/2014	Kawata	D14/250					361/679.01
8,950,638 B2 *	2/2015	Wangercyn, Jr.	H04B 1/385	2014/0027482 A1*	1/2014	Crawford	A45F 5/102
				224/217					224/197
D724,310 S *	3/2015	Dong	D3/218	2014/0084034 A1*	3/2014	Wangercyn, Jr.	H04B 1/385
D729,787 S *	5/2015	Soekoro	D14/250					224/217
9,179,565 B2 *	11/2015	Cho	H05K 7/00	2014/0117177 A1*	5/2014	Shamsadov	H04B 1/3888
9,185,197 B2 *	11/2015	Keesling	H04M 1/0279					248/205.1
D749,069 S *	2/2016	Senoff	D14/251	2015/0035304 A1*	2/2015	Xiao	A45F 5/00
D749,083 S *	2/2016	Senoff	D14/451					294/137
D749,559 S *	2/2016	Senoff	D14/251	2015/0122852 A1*	5/2015	Feng	A45F 5/00
D753,912 S *	4/2016	Spero	D3/218					224/191
9,304,542 B2 *	4/2016	Webber	F16M 13/00	2016/0039357 A1*	2/2016	Jang	A45F 5/00
2009/0090750 A1 *	4/2009	Alcenat	A45F 5/00					224/567
				224/101	2016/0045019 A1*	2/2016	Srey	A45F 5/10
									294/65.5

* cited by examiner

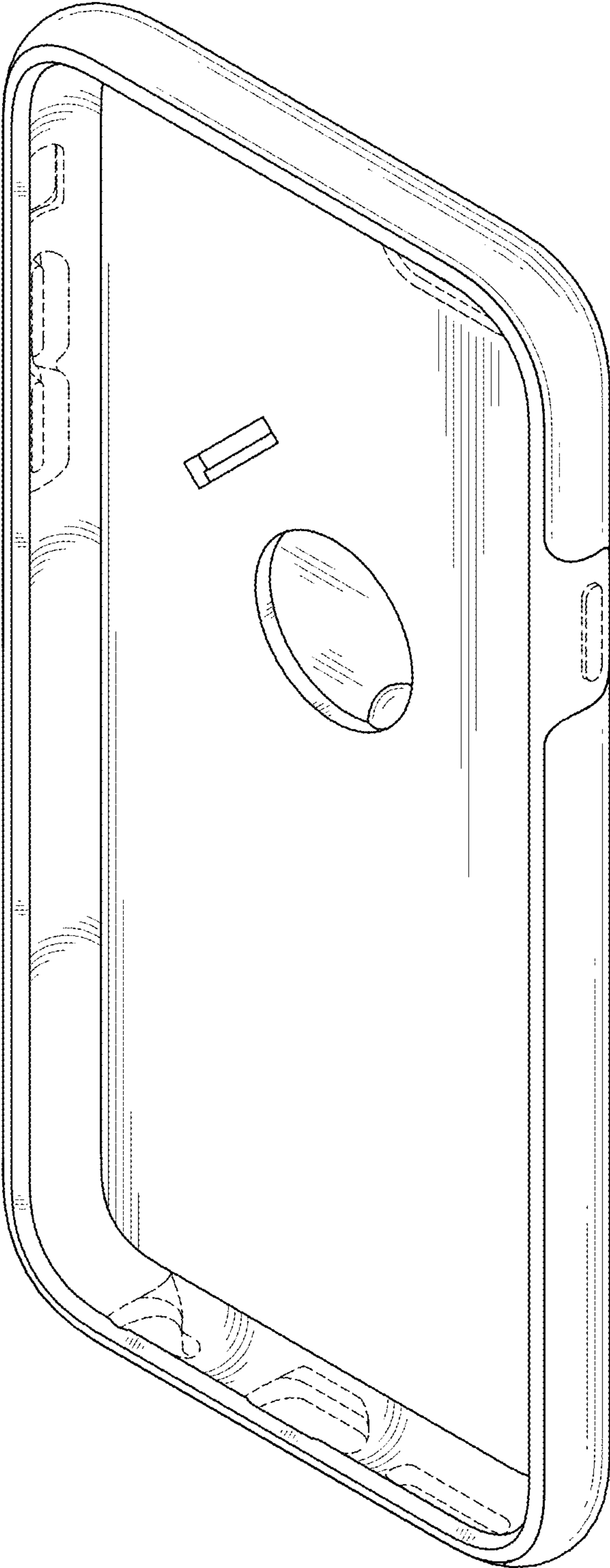


FIG. 1

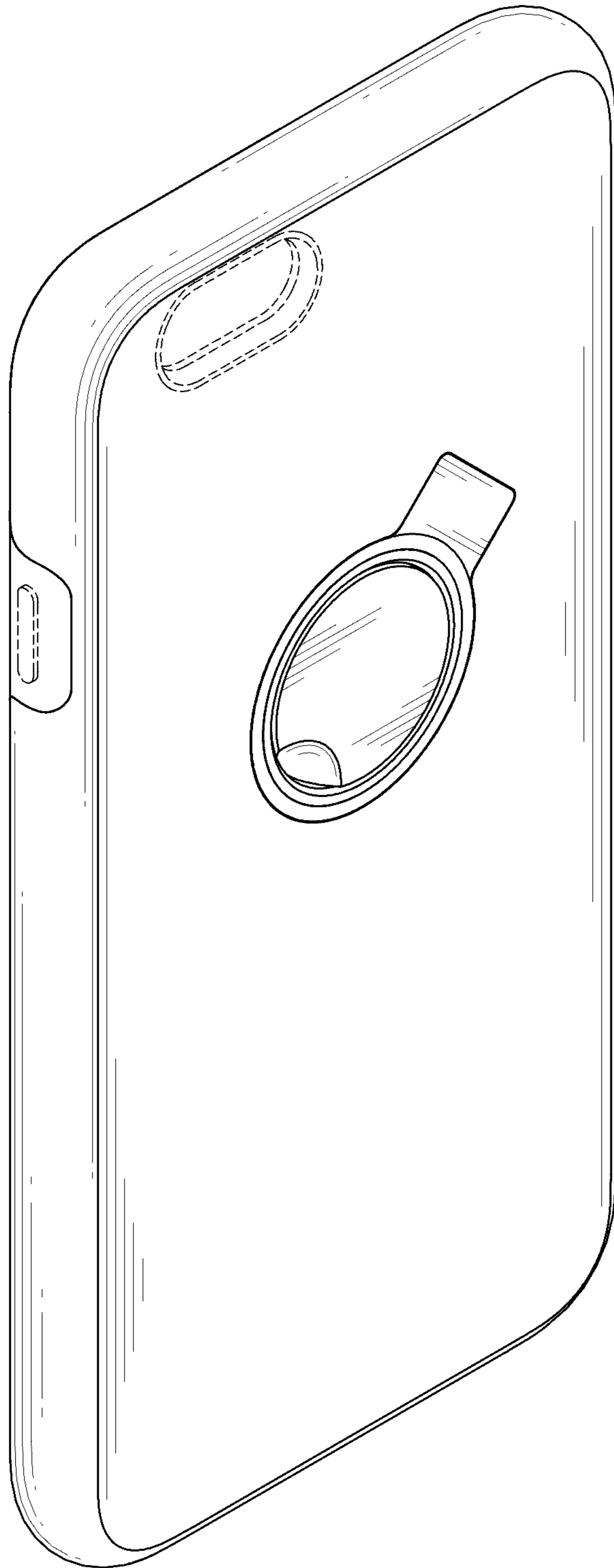


FIG. 2

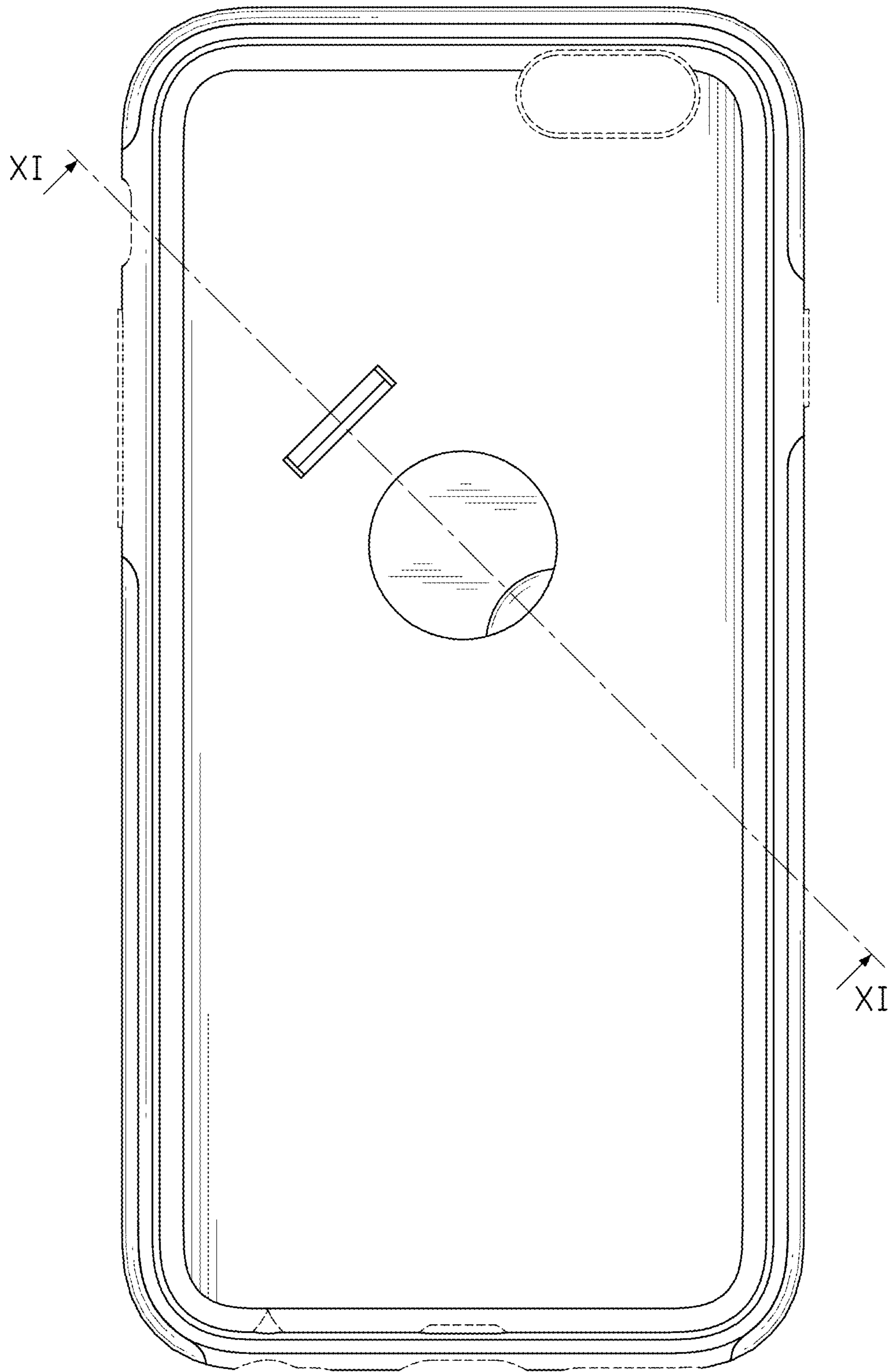


FIG. 3

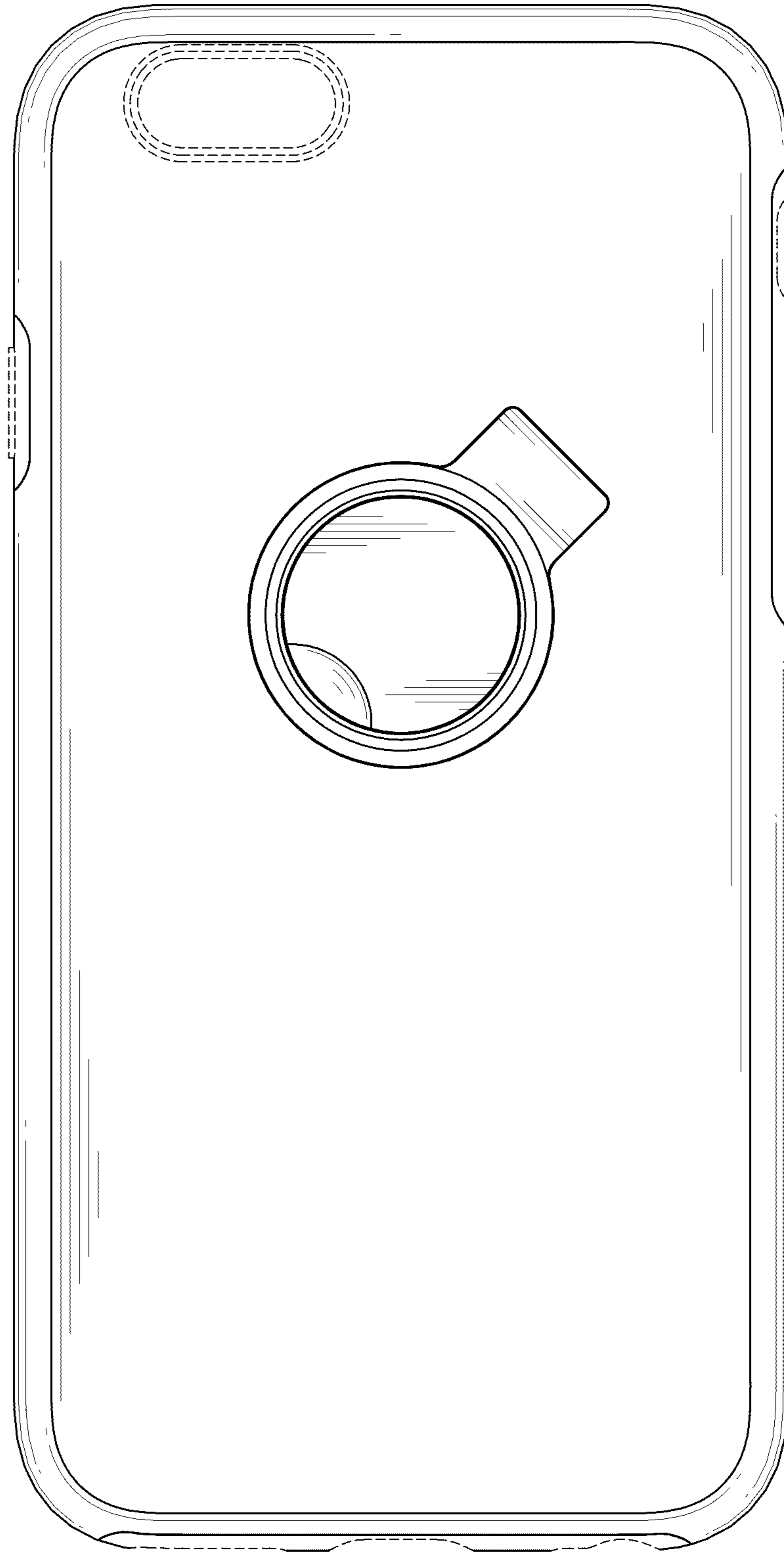


FIG. 4

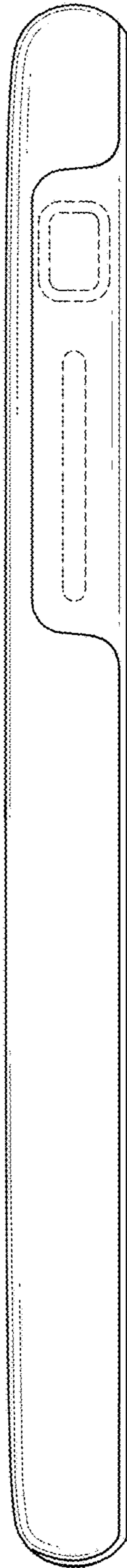


FIG. 5

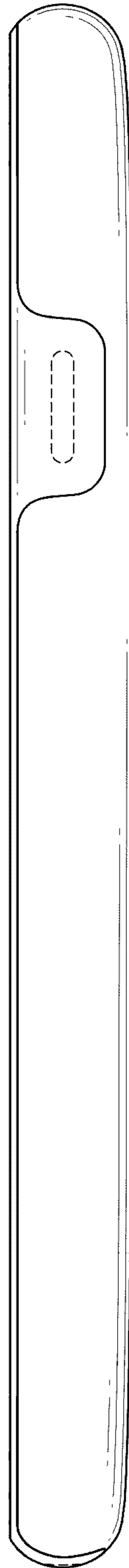


FIG. 6

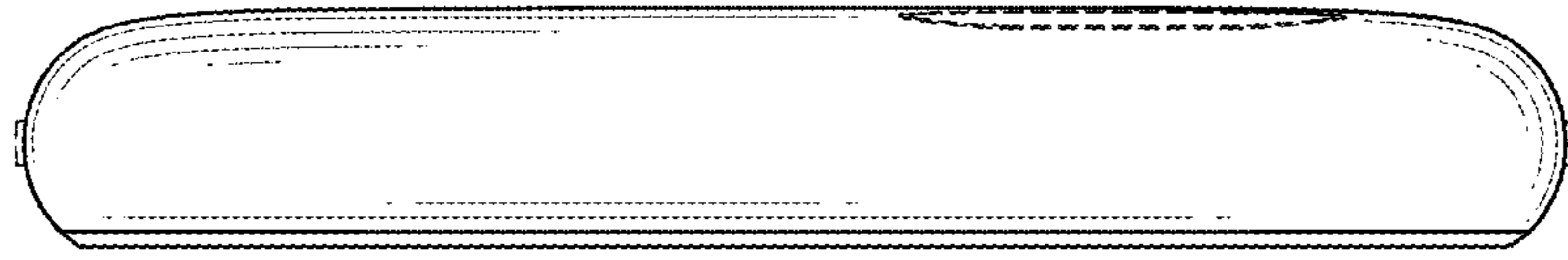


FIG. 7

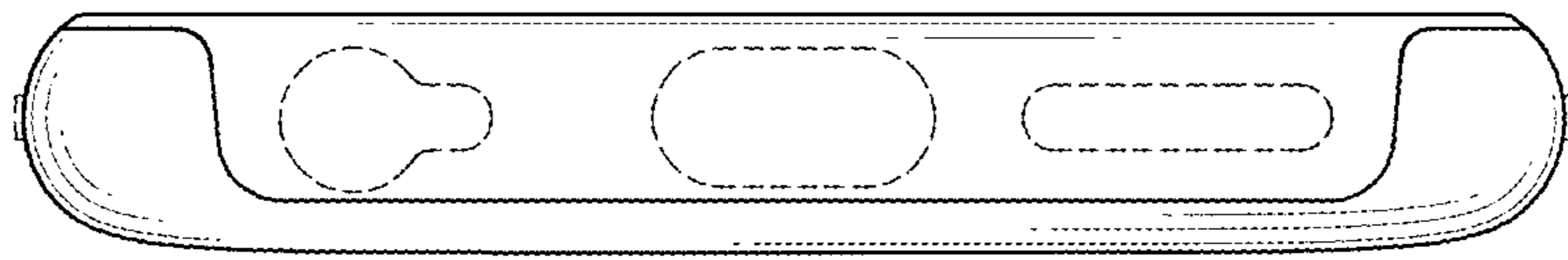


FIG. 8

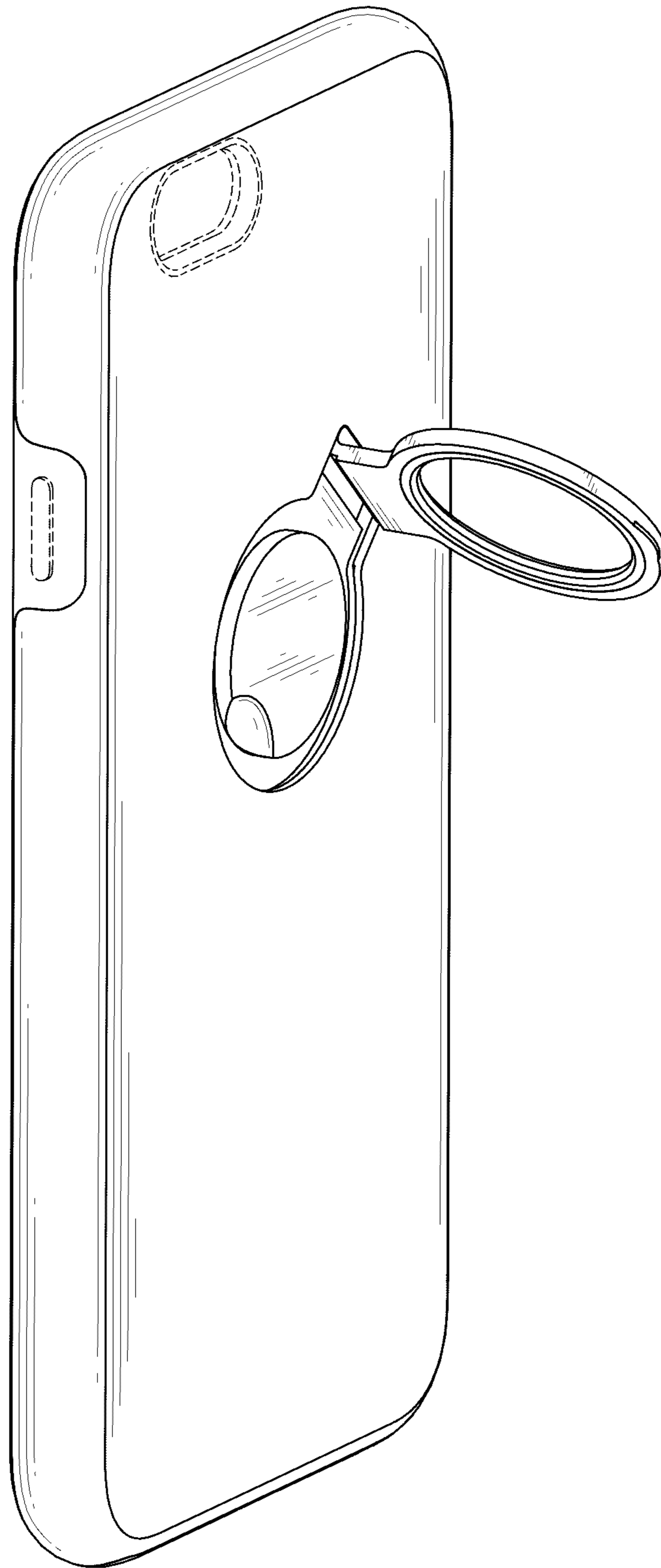


FIG. 9

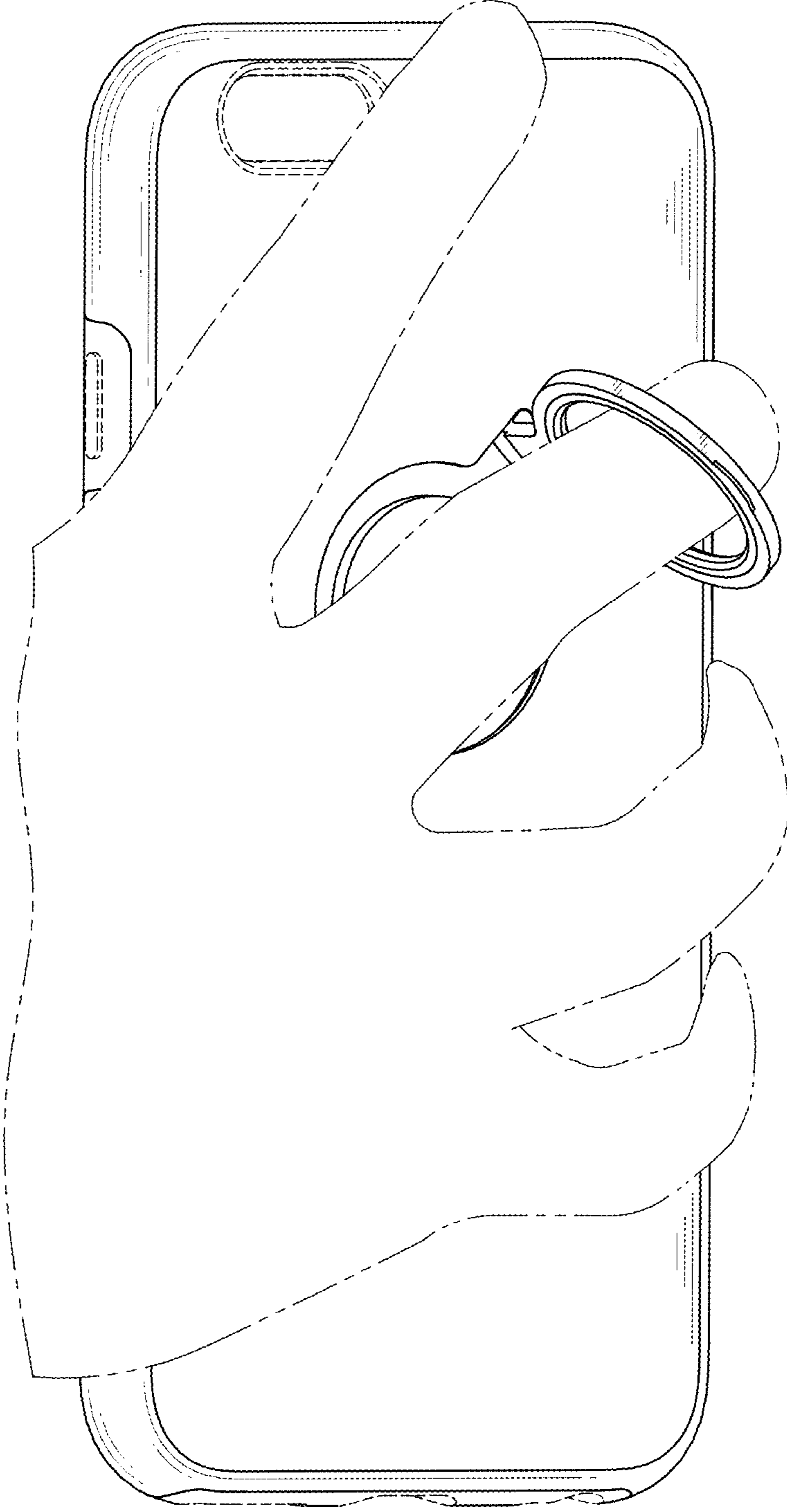


FIG. 10

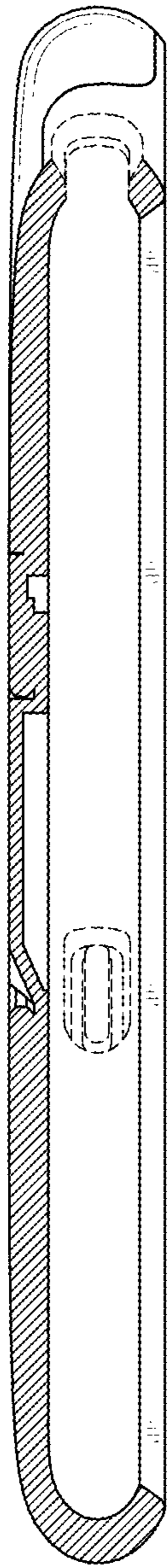


FIG. 11