



US00D775615S

(12) **United States Design Patent**  
**Tien**

(10) **Patent No.:** **US D775,615 S**  
(45) **Date of Patent:** **\*\* Jan. 3, 2017**

(54) **PROTECTIVE COVER FOR MOBILE PHONE**

(71) Applicant: **HON HAI PRECISION INDUSTRY CO., LTD.**, New Taipei (TW)

(72) Inventor: **Li-Wen Tien**, New Taipei (TW)

(73) Assignee: **HON HAI PRECISION INDUSTRY CO., LTD.**, New Taipei (TW)

(\*\*) Term: **14 Years**

(21) Appl. No.: **29/503,127**

(22) Filed: **Sep. 23, 2014**

(30) **Foreign Application Priority Data**

Aug. 27, 2014 (CN) ..... 2014 3 0311456

(51) **LOC (10) Cl.** ..... **14-03**

(52) **U.S. Cl.**  
USPC ..... **D14/250**

(58) **Field of Classification Search**  
USPC ..... D14/238.1, 250, 440, 203.3–203.7, 217,  
D14/240, 248, 251–253, 447, 496, 143,  
D14/189, 203.2; D3/201, 218, 247, 269,  
D3/273, 301, 303; D13/103, 107–108,  
D13/119

CPC ..... A45C 1/06; A45C 11/00; A45C 13/02;  
A45C 2011/002; A45F 2005/026; A45F  
2200/0525; A45F 2200/0516; H04B  
1/3888; H04M 1/0283; H04M 1/0202

See application file for complete search history.

(56) **References Cited**

**U.S. PATENT DOCUMENTS**

D389,158 S \* 1/1998 Oross ..... D13/119  
D671,933 S \* 12/2012 Rodgers ..... D14/250  
8,439,191 B1 \* 5/2013 Lu ..... H04B 1/3888  
206/320

D691,124 S \* 10/2013 Yang ..... D14/250  
D694,742 S \* 12/2013 Pan ..... D14/250  
D697,504 S \* 1/2014 Yang ..... D14/250  
D699,716 S \* 2/2014 Pan ..... D14/250  
D712,387 S \* 9/2014 Tompkin ..... D14/250  
D718,289 S \* 11/2014 Brand ..... D14/250  
D726,170 S \* 4/2015 Ng ..... D14/250  
D730,341 S \* 5/2015 Chan ..... D14/250  
2011/0095033 A1 \* 4/2011 Hung ..... A45C 11/00  
220/602  
2012/0325720 A1 \* 12/2012 Tages ..... G06F 1/1633  
206/522  
2013/0292269 A1 \* 11/2013 Tages ..... A45C 11/00  
206/37  
2013/0331155 A1 \* 12/2013 Tages ..... H04M 1/0283  
455/575.8  
2014/0076753 A1 \* 3/2014 Limber ..... H04B 1/3888  
206/320

(Continued)

*Primary Examiner* — Carla Jobe Wright  
(74) *Attorney, Agent, or Firm* — Zhigang Ma

(57) **CLAIM**

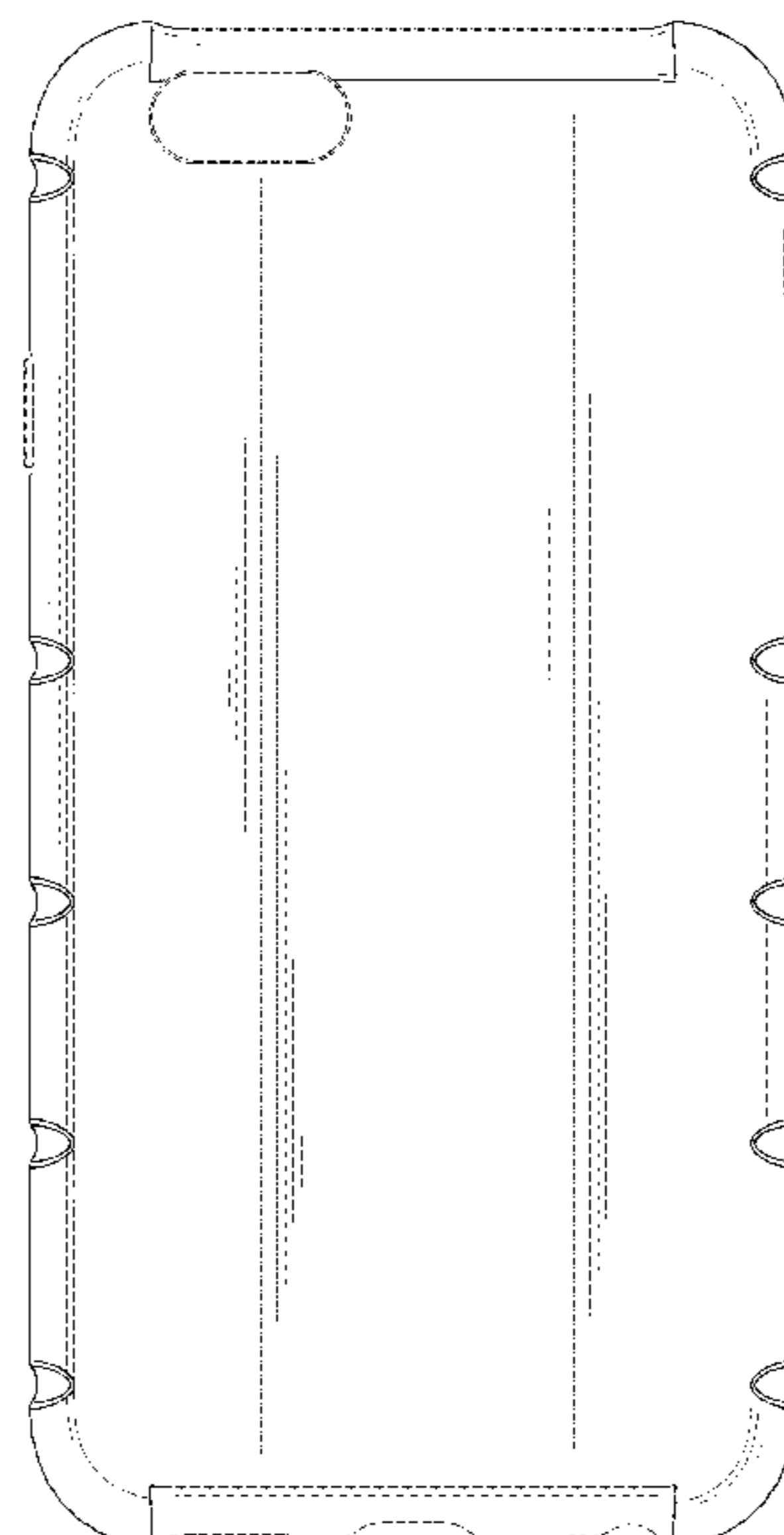
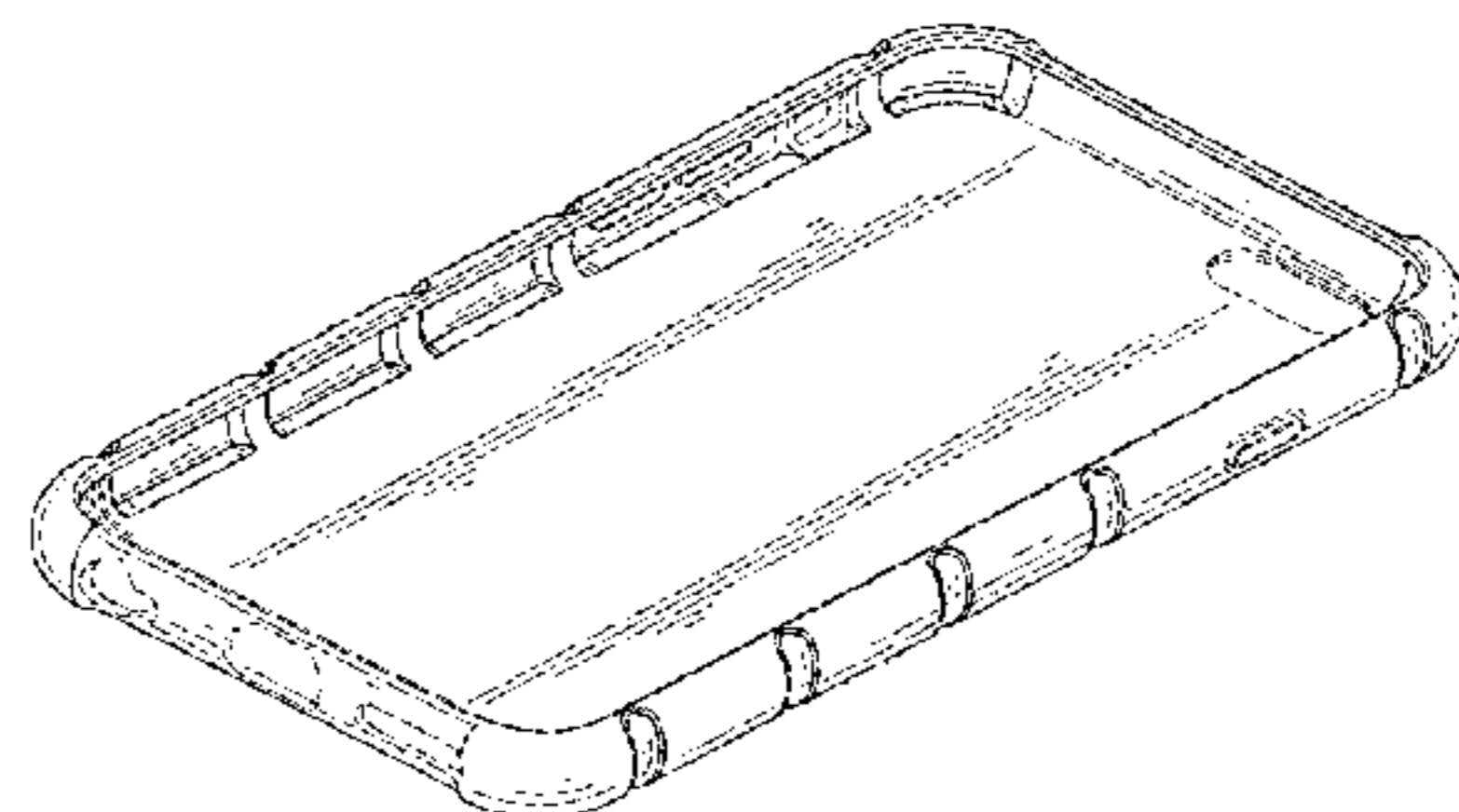
I claim the ornamental design for a protective cover for mobile phone, as shown and described.

**DESCRIPTION**

FIG. 1 is a perspective view of a protective cover for mobile phone;  
FIG. 2 is a front elevational view thereof;  
FIG. 3 is a rear elevational view thereof;  
FIG. 4 is a left side elevational view thereof;  
FIG. 5 is a right side elevational view thereof;  
FIG. 6 is a top plan view thereof; and,  
FIG. 7 is a bottom plan view thereof.

The broken lines immediately adjacent to the shaded surfaces represent the bounds of the claimed design. All other broken lines depict environmental subject matter. The broken lines and unshaded surfaces bounded by broken lines form no part of the claimed design.

**1 Claim, 7 Drawing Sheets**



(56)

**References Cited**

U.S. PATENT DOCUMENTS

2014/0216973 A1\* 8/2014 Chang ..... B65D 81/022  
206/521  
2015/0001104 A1\* 1/2015 Kim ..... A45C 11/00  
206/37  
2015/0173229 A1\* 6/2015 Chao ..... B65D 81/02  
206/524.2  
2015/0189963 A1\* 7/2015 Lai ..... A45C 13/008  
224/191  
2015/0256655 A1\* 9/2015 Jannard ..... H04M 1/0202  
455/575.8  
2015/0264822 A1\* 9/2015 Poon ..... A45C 11/00  
224/191  
2015/0295617 A1\* 10/2015 Lai ..... H04B 1/3888  
455/575.8  
2015/0341069 A1\* 11/2015 Liu ..... H04B 1/3888  
455/575.8  
2016/0021996 A1\* 1/2016 Tien ..... A45C 11/00  
224/191  
2016/0044148 A1\* 2/2016 Pizzo ..... H04M 1/026  
455/575.8

\* cited by examiner

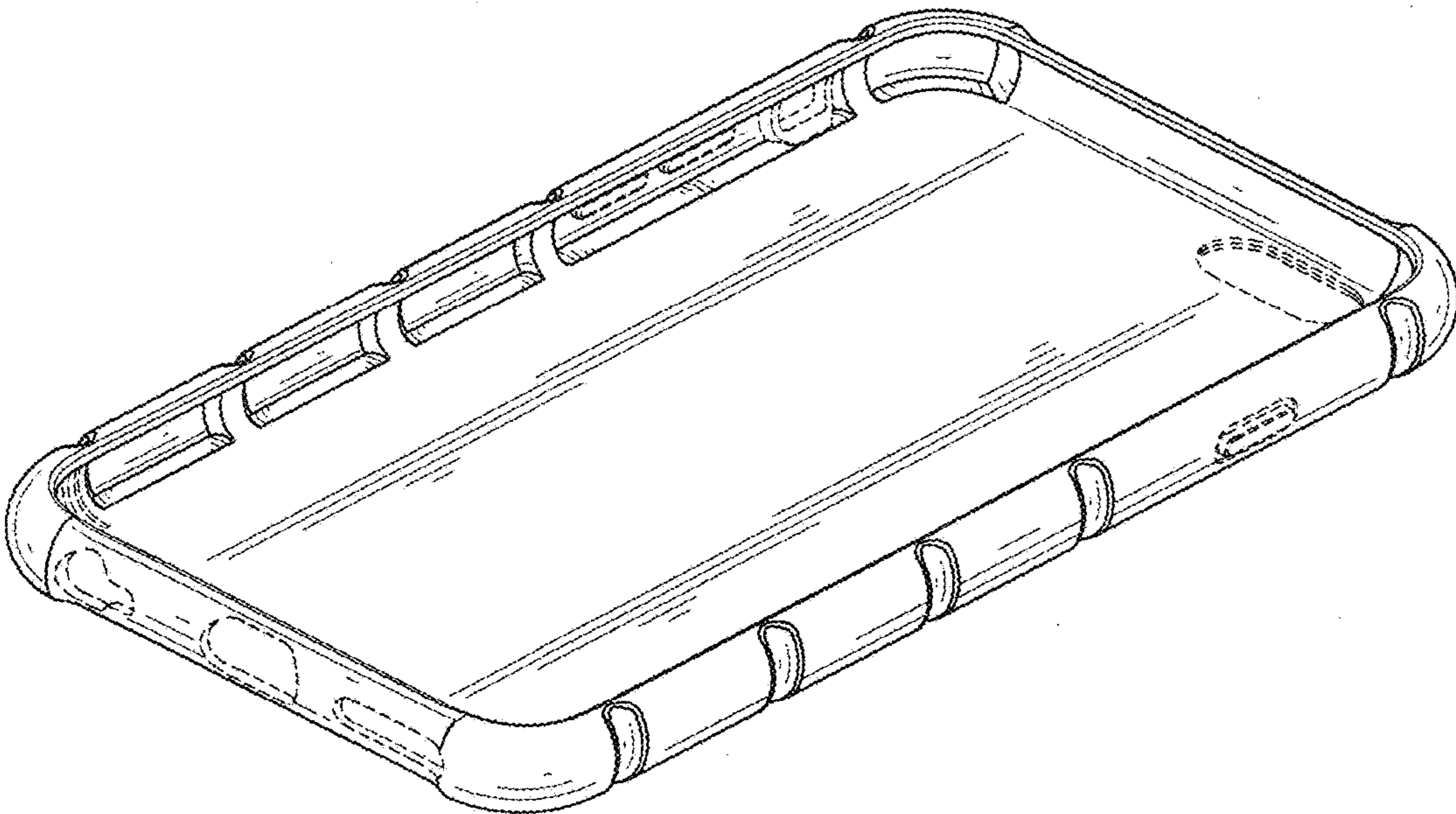


FIG. 1

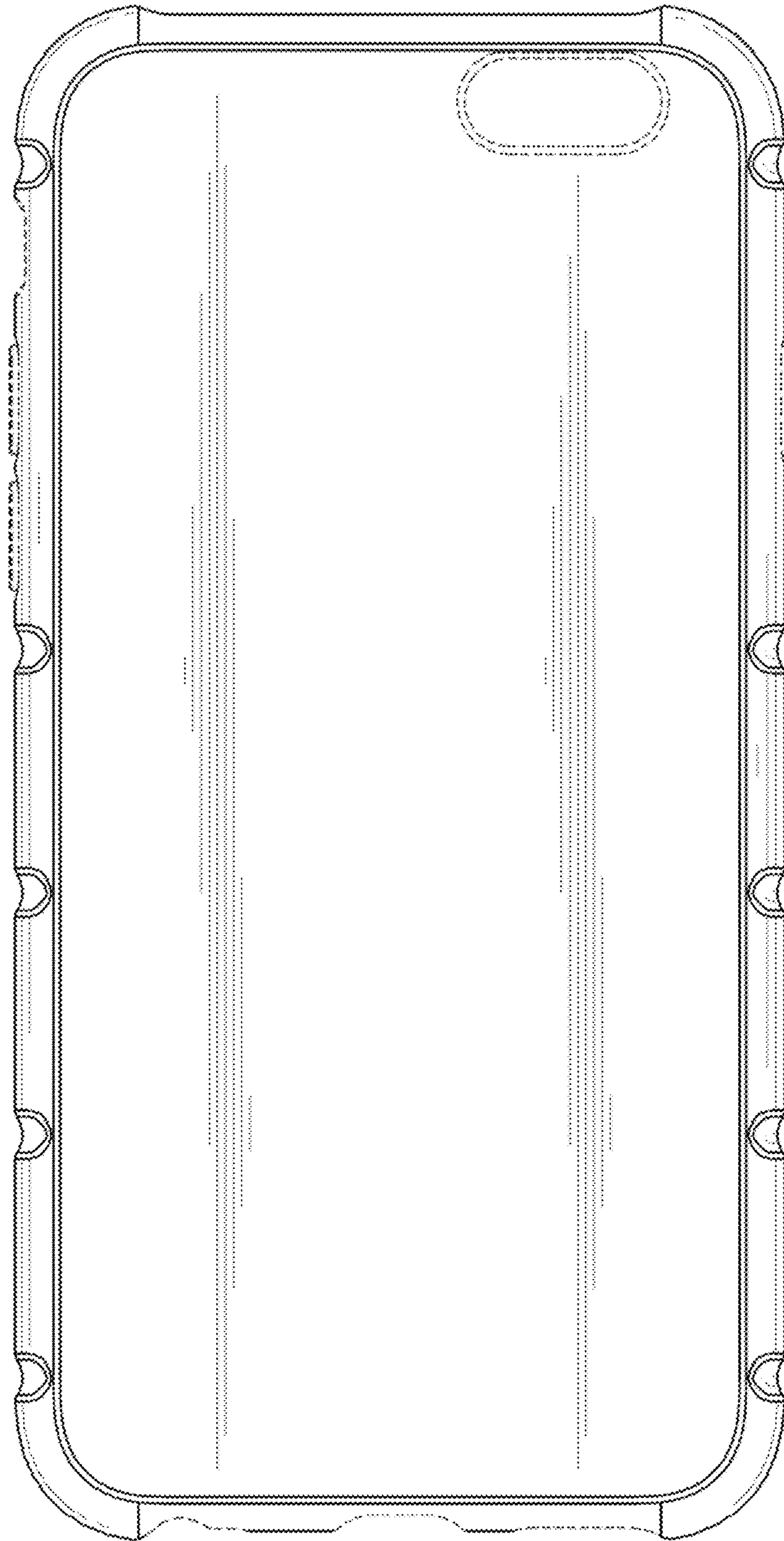


FIG. 2

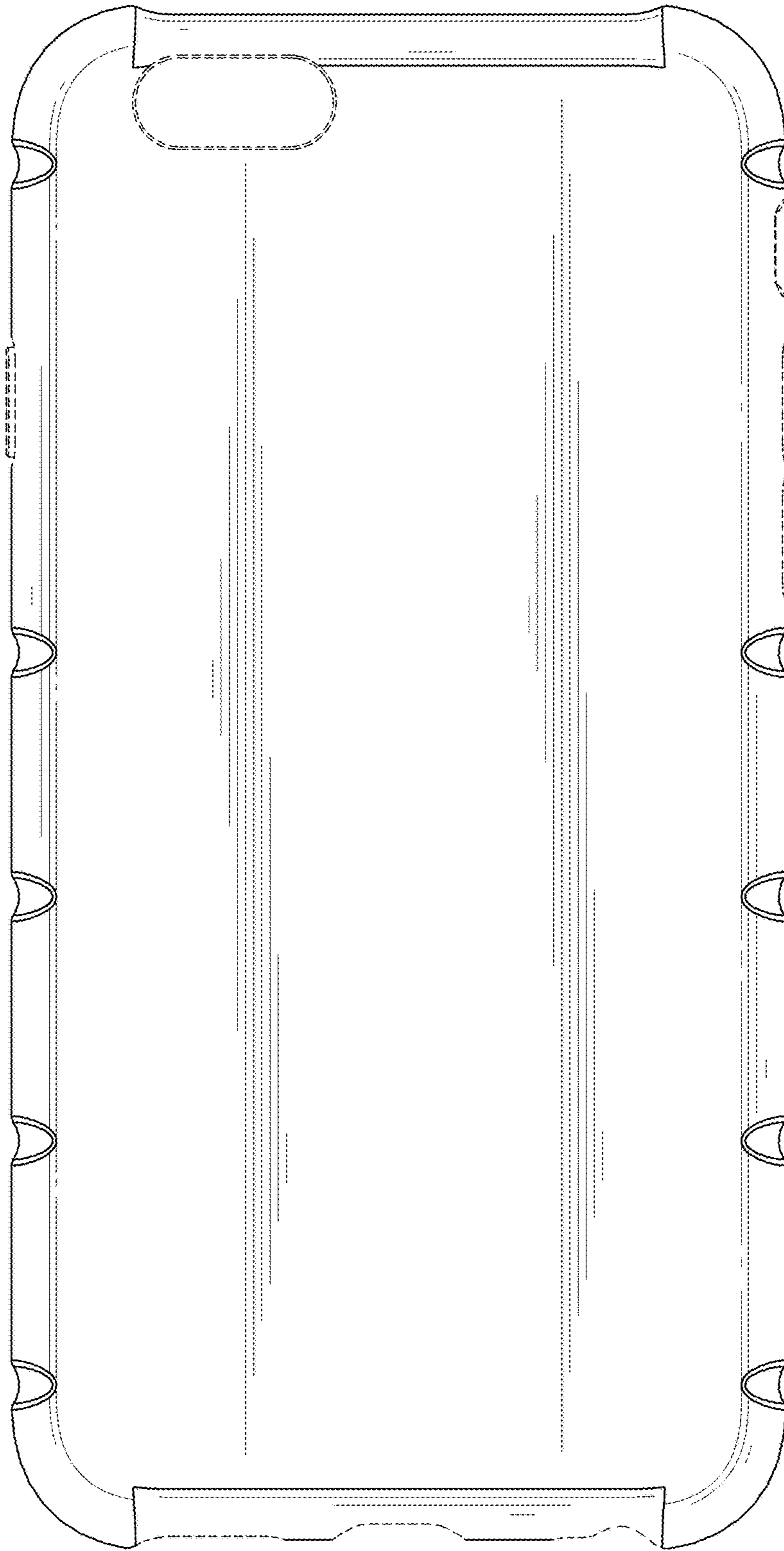


FIG. 3



FIG. 4



FIG. 5

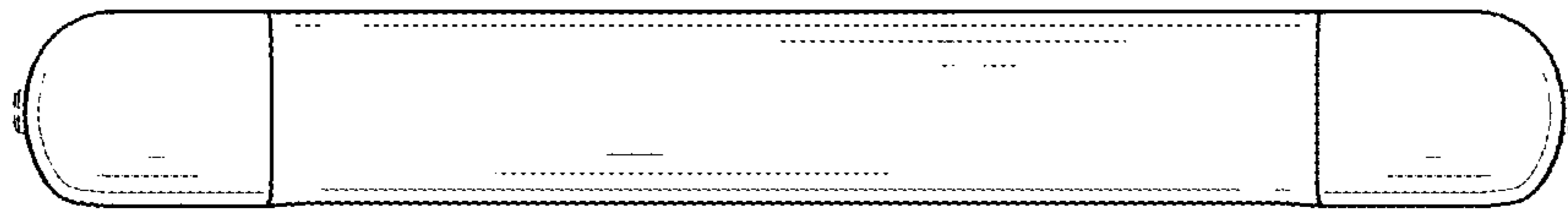


FIG. 6



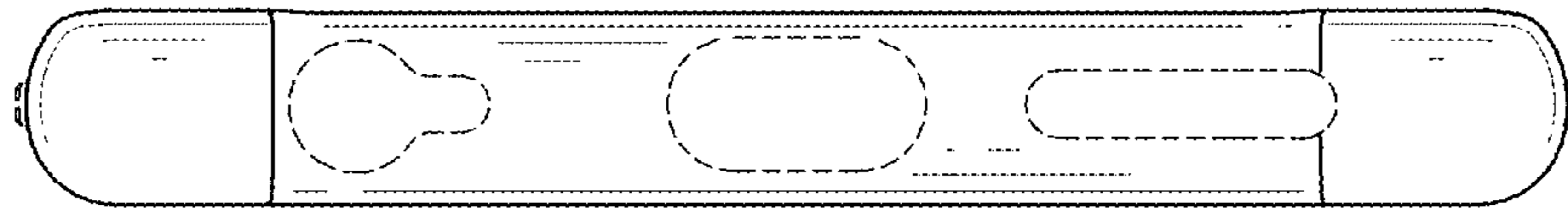


FIG. 7