



US00D775614S

(12) **United States Design Patent**  
**Kim et al.**

(10) **Patent No.:** **US D775,614 S**  
(45) **Date of Patent:** **\*\* Jan. 3, 2017**

(54) **CASE FOR ELECTRONIC DEVICE**

FOREIGN PATENT DOCUMENTS

(71) Applicants: **Dae-Young Kim**, Seoul (KR); **Soo Ha Jung**, Seoul (KR)

KR 30-0676967 10/2010

(72) Inventors: **Dae-Young Kim**, Seoul (KR); **Soo Ha Jung**, Seoul (KR)

OTHER PUBLICATIONS

(73) Assignee: **SPIGEN KOREA CO., LTD.**,  
Geumcheon-Gu, Seoul (KR)

“Spigen iPhone4/4S Case Neo Hybrid,” <http://www.qqestore.com/spigen-iphone-4-4s-case-neo-hybrid.html>, Downloaded Jun. 3, 2016, 1 page.

(\*\*) Term: **14 Years**

*Primary Examiner* — Sandra Snapp

*Assistant Examiner* — Holly E Thurman

(21) Appl. No.: **29/497,432**

(74) *Attorney, Agent, or Firm* — East West Law Group;  
Heedong Chae

(22) Filed: **Jul. 24, 2014**

(51) **LOC (10) Cl.** ..... **14-03**

(52) **U.S. Cl.**

USPC ..... **D14/250**

(58) **Field of Classification Search**

USPC ..... D14/250–253, 440, 203.3–203.7, 217,  
D14/496, 248, 238.1, 240, 447, 230, 247,  
D14/341, 345, 346, 439; D3/201, 218,  
D3/269, 301, 273, 303; D13/103,  
D13/107–108; 220/4.02; 248/309.1;  
361/679.56; 379/426, 433.11, 455;  
455/575.1, 575.8; 190/100; 206/305,  
206/320

CPC . A45C 2011/002; A45C 11/00; A45C 13/002;  
A45C 2011/003; H04M 1/0283; H04M  
1/0202; H04B 1/3888; H04B 1/185

See application file for complete search history.

(57) **CLAIM**

The ornamental design for a case for electronic devices device, as shown and described.

**DESCRIPTION**

FIG. 1 is a front perspective view of a case for electronic device, comprised of inner portion and outer portion, showing my new design;

FIG. 2 is a rear perspective view thereof;

FIG. 3 is a front elevational view thereof;

FIG. 4 is a rear elevational view thereof;

FIG. 5 is a left side elevational view thereof;

FIG. 6 is a right side elevational view thereof;

FIG. 7 is a top plan view thereof;

FIG. 8 is a bottom plan view thereof; and,

FIG. 9 is an exploded front perspective view thereof showing the inner shell and outer portions of the case for electronic device separated for clarity of disclosure;

FIG. 10 is an exploded rear perspective view thereof;

FIG. 11 is a front perspective view showing only the inner portion of the case for electronic device for clarity of disclosure;

FIG. 12 is a rear perspective view thereof;

FIG. 13 is a front perspective view showing only the outer portion of the case for electronic device for clarity of disclosure; and,

FIG. 14 is a rear perspective view thereof.

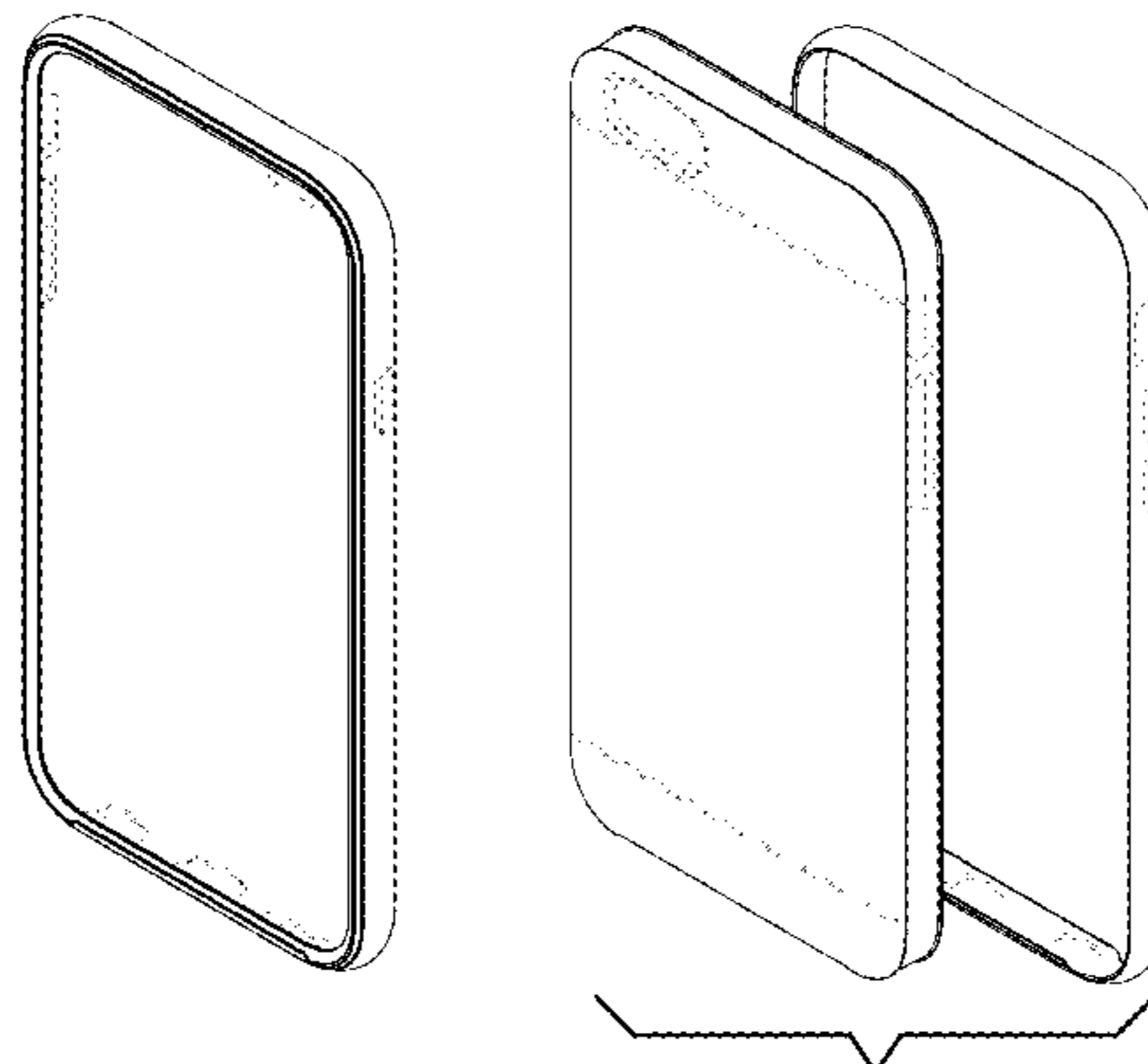
(56) **References Cited**

U.S. PATENT DOCUMENTS

D642,169 S \* 7/2011 Andre ..... D14/250  
D662,923 S \* 7/2012 Piedra ..... D14/250  
8,249,679 B2 \* 8/2012 Cui ..... G06F 1/1626  
455/575.8  
D669,458 S \* 10/2012 Wilson ..... D14/250

(Continued)

(Continued)



The broken lines depict unclaimed environment and form no part of the claimed design.

**1 Claim, 14 Drawing Sheets**

(56)

**References Cited**

U.S. PATENT DOCUMENTS

8,430,240 B2 \* 4/2013 Kim ..... A45C 11/00  
206/320  
8,457,701 B2 \* 6/2013 Diebel ..... H04B 1/3888  
206/701  
D696,656 S \* 12/2013 Murchison ..... D14/250  
D703,197 S \* 4/2014 Melanson ..... D14/250  
D703,650 S \* 4/2014 Ehrlich ..... D14/250  
D718,755 S \* 12/2014 To ..... D14/250  
D719,559 S \* 12/2014 Dukerschein ..... D14/250  
D721,360 S \* 1/2015 Laffon de Mazieres .... D14/250

9,004,275 B2 \* 4/2015 Lee ..... A45C 11/00  
206/320  
D733,693 S \* 7/2015 Wang ..... D14/248  
D736,205 S \* 8/2015 Park ..... D14/138 R  
D741,279 S \* 10/2015 Tai ..... D14/138 G  
D741,845 S 10/2015 Kim  
D743,389 S 11/2015 Akana  
9,185,813 B2 11/2015 Diebel  
D744,993 S 12/2015 Diebel  
D746,275 S 12/2015 Mohammad  
D747,306 S 1/2016 Kim  
9,237,211 B2 1/2016 Akwo  
D748,614 S 2/2016 Ju  
D749,567 S 2/2016 Lee  
9,247,795 B2 2/2016 Kim  
9,295,174 B2 3/2016 Witter  
9,301,414 B2 3/2016 Chao  
9,307,096 B2 4/2016 Hsu  
2014/0110276 A1 \* 4/2014 Stiehl ..... B29C 45/1676  
206/37

\* cited by examiner

FIG. 1

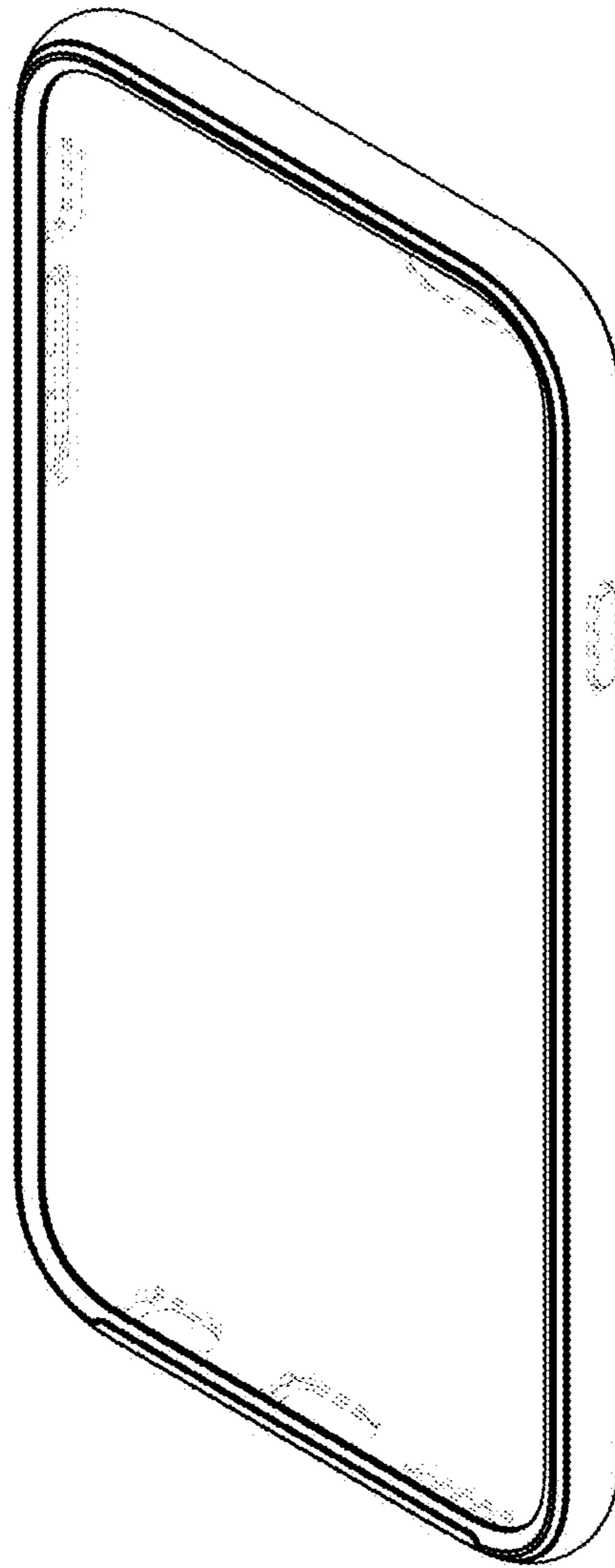


FIG. 2

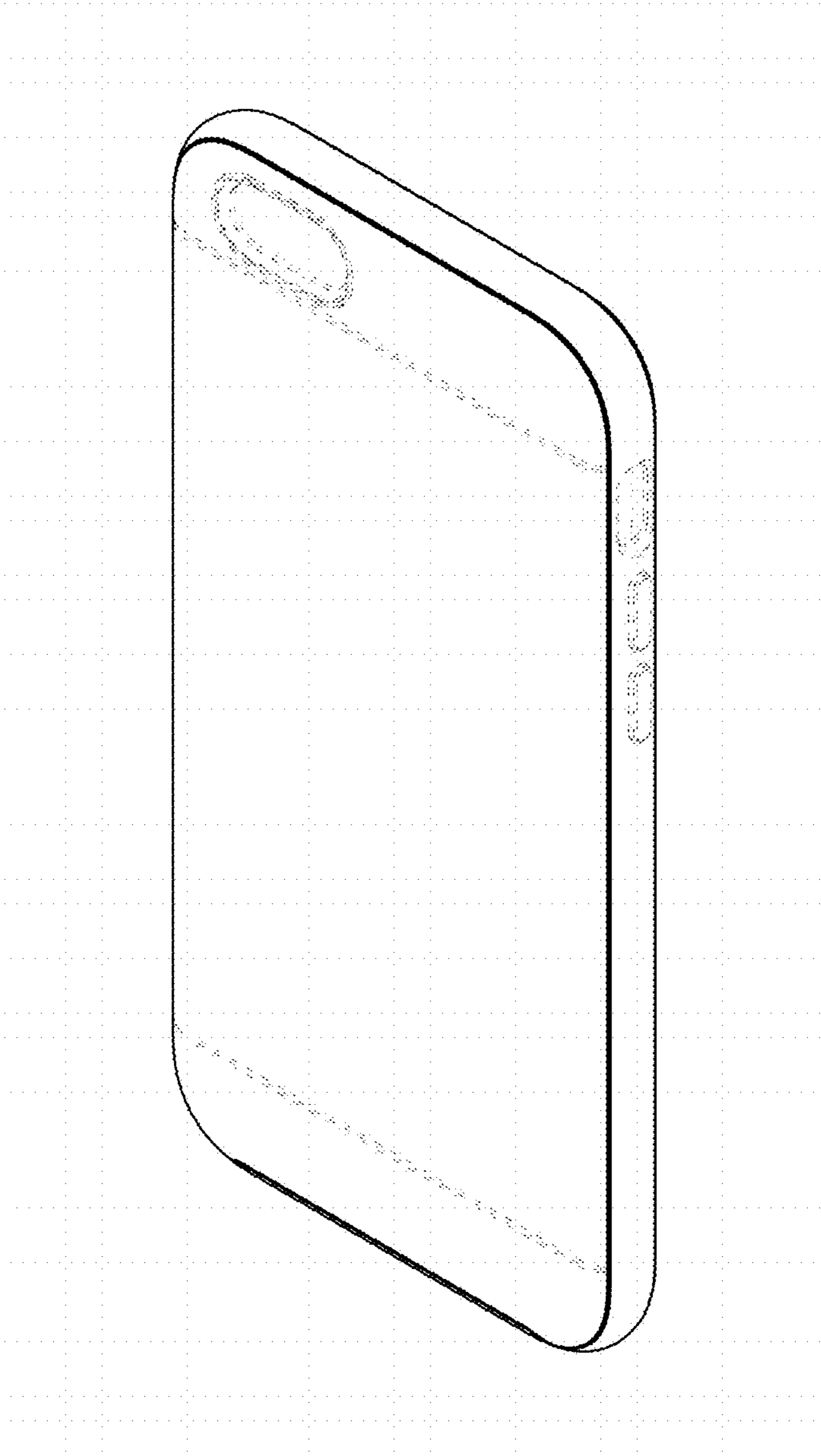


FIG. 3

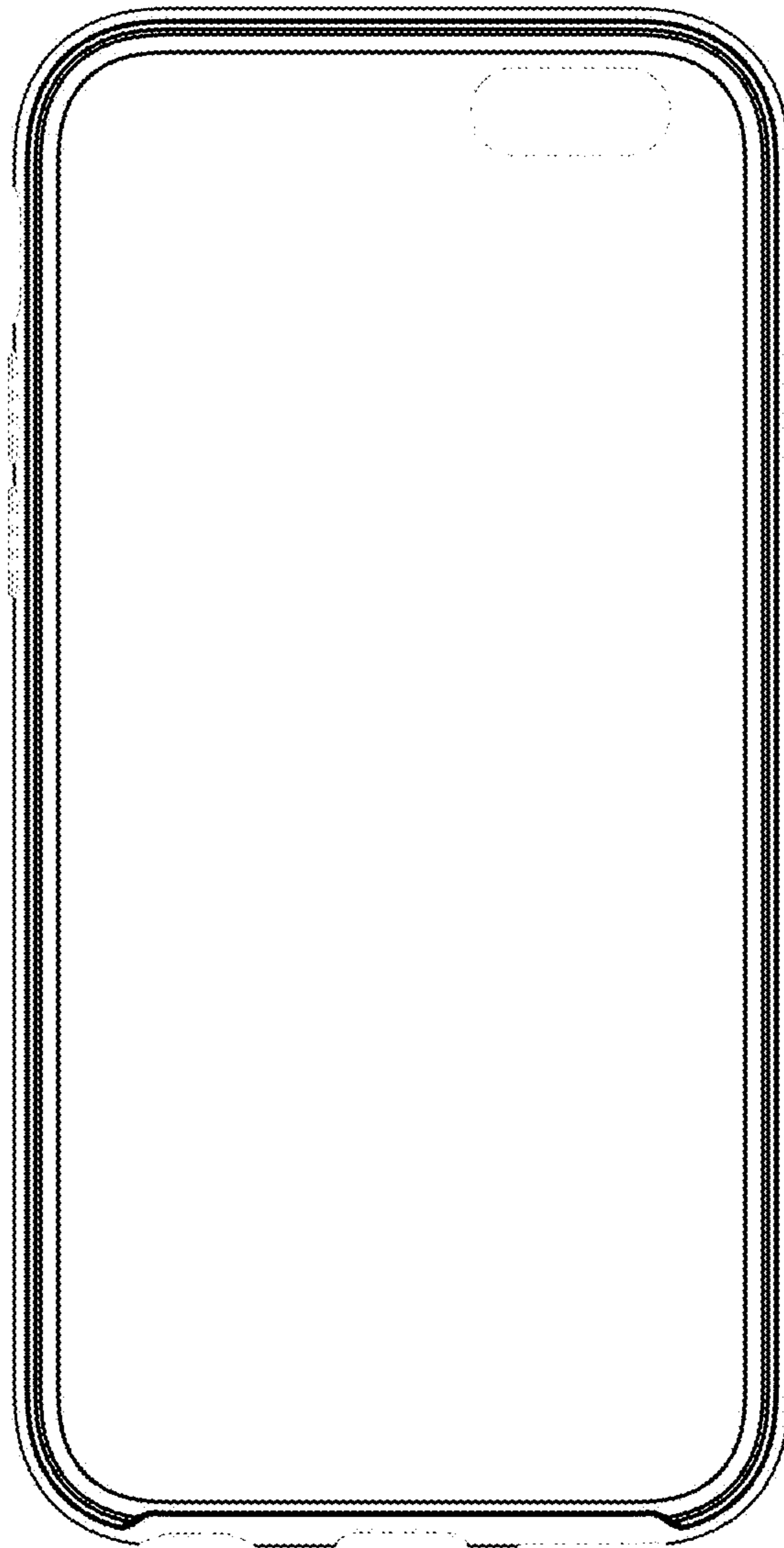


FIG. 4

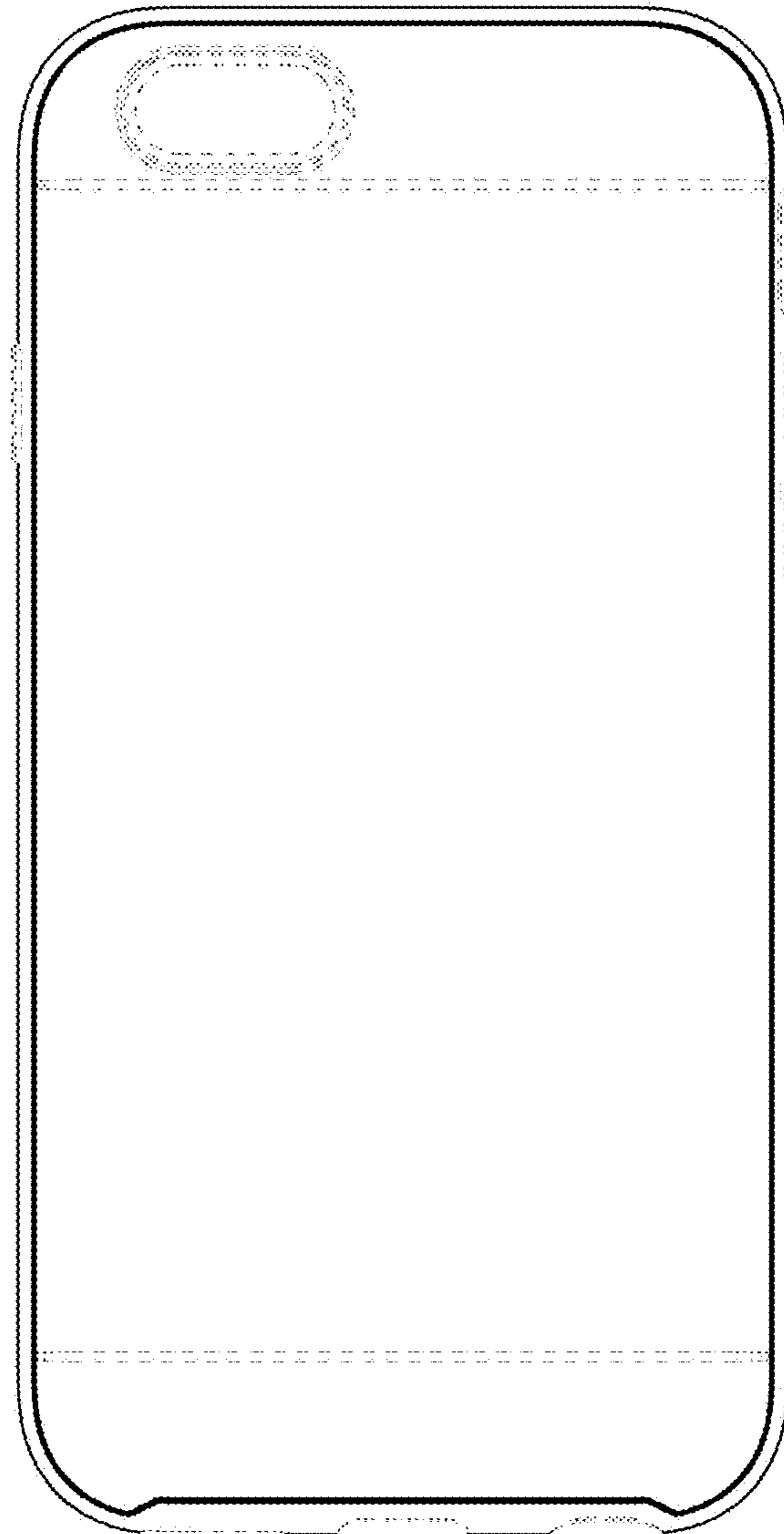


FIG. 5





FIG. 6

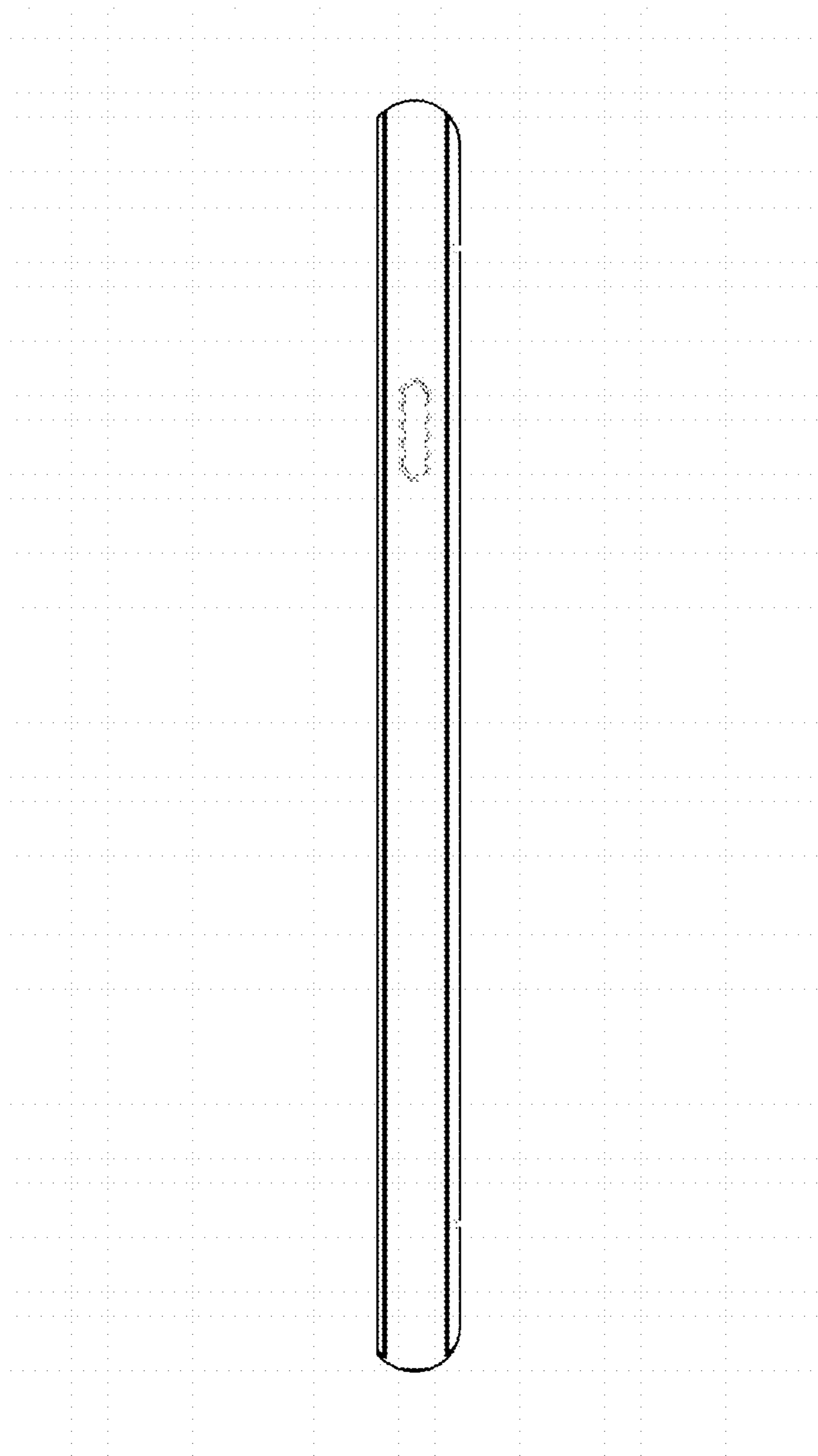




FIG. 7



FIG. 8

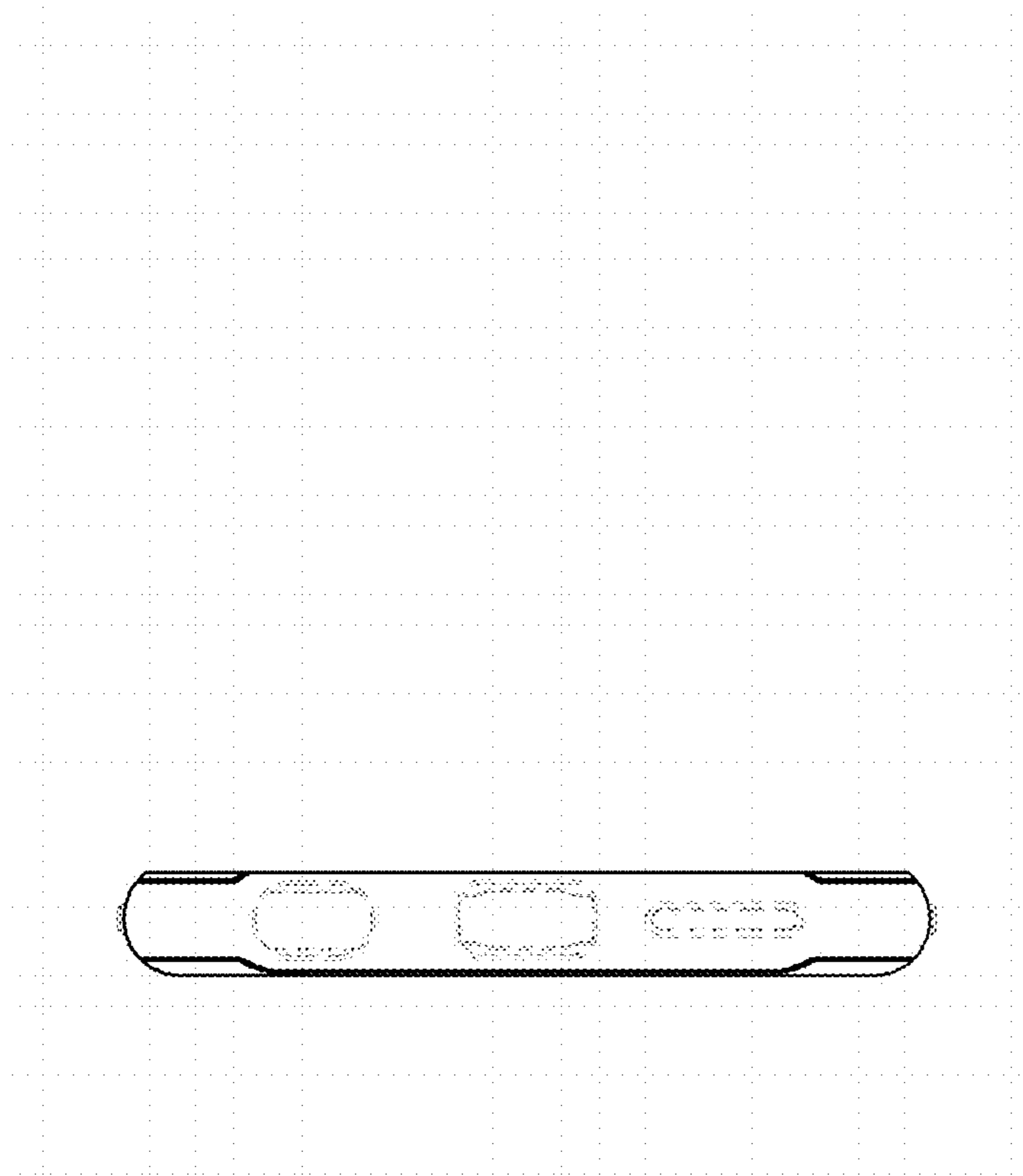


FIG. 9

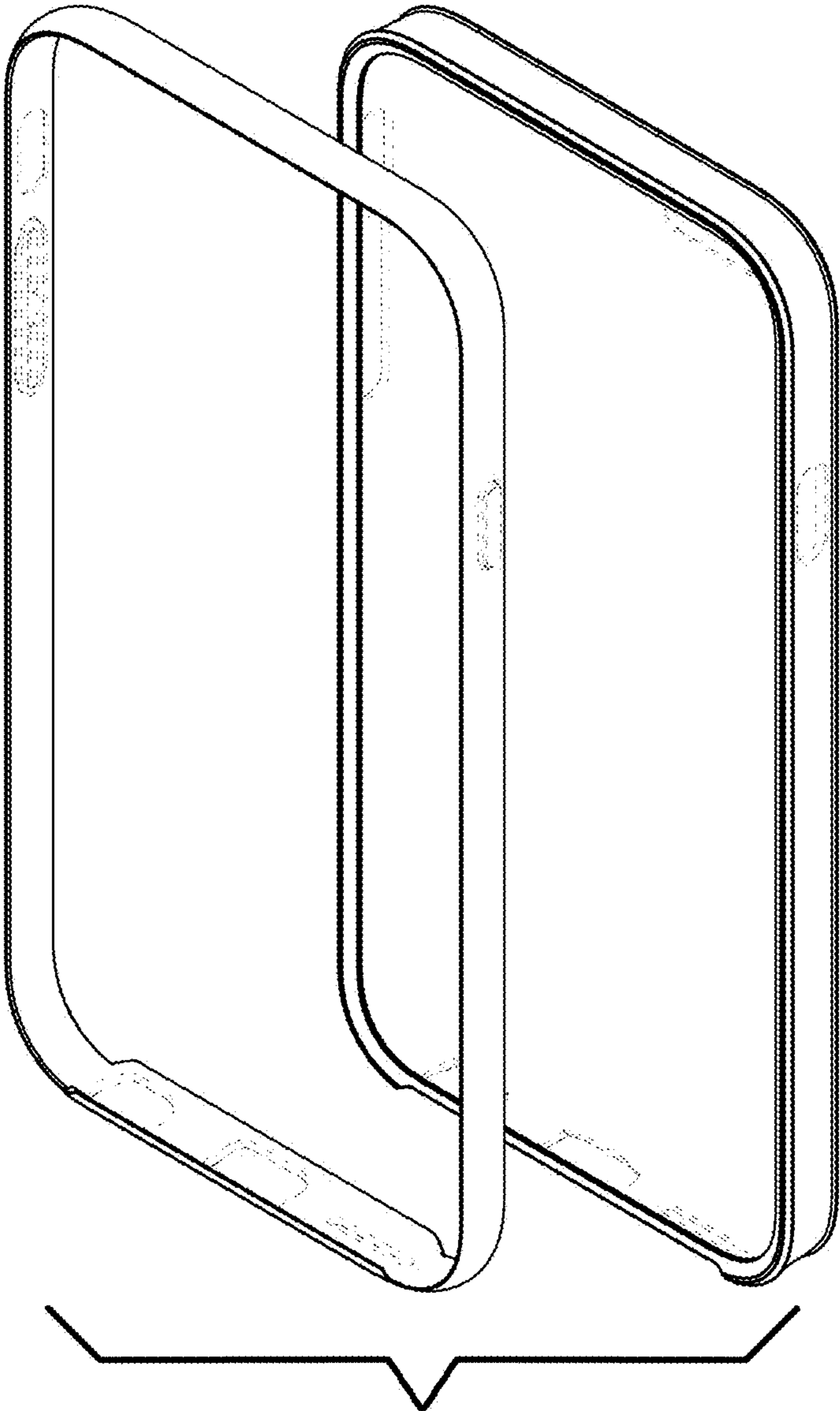


FIG. 10

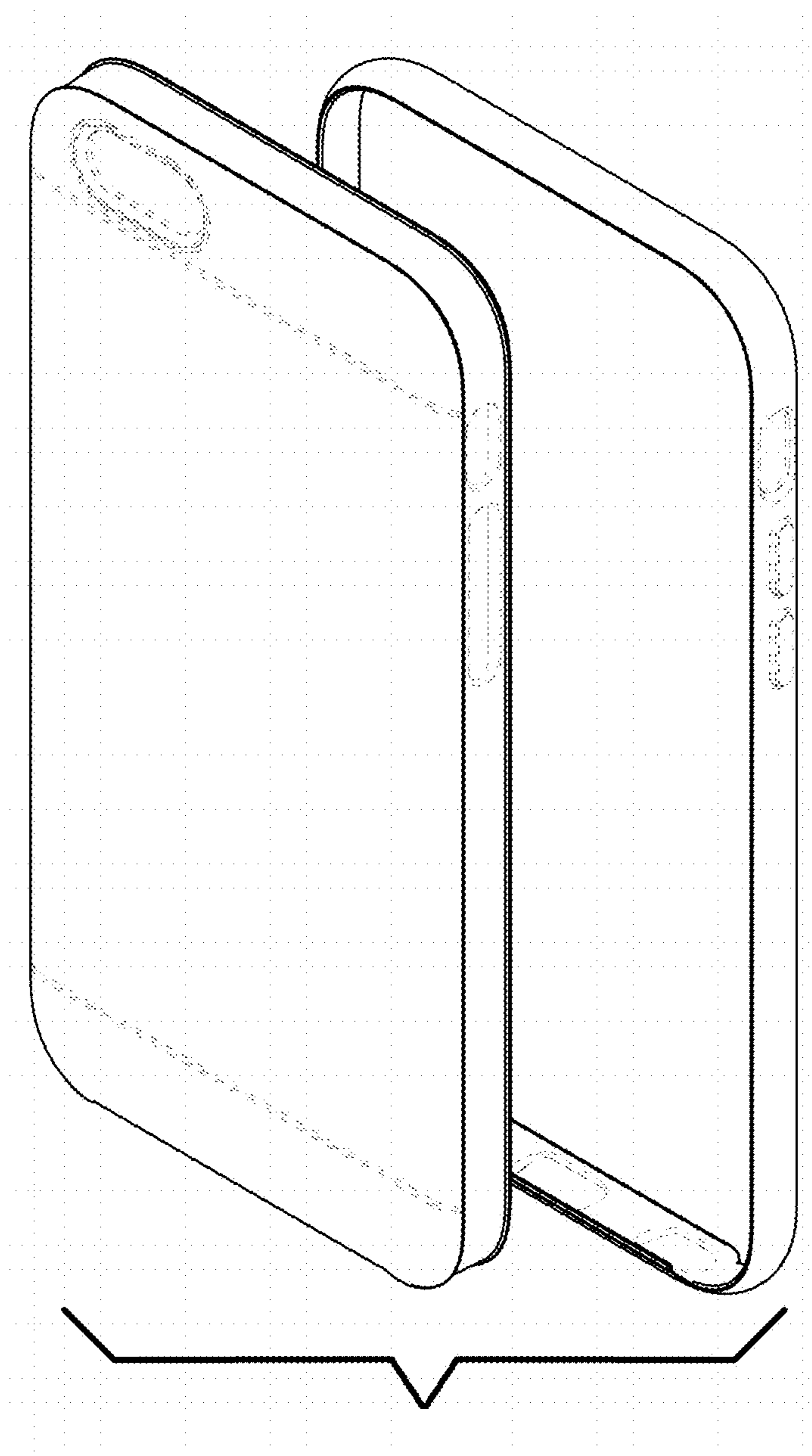


FIG. 11

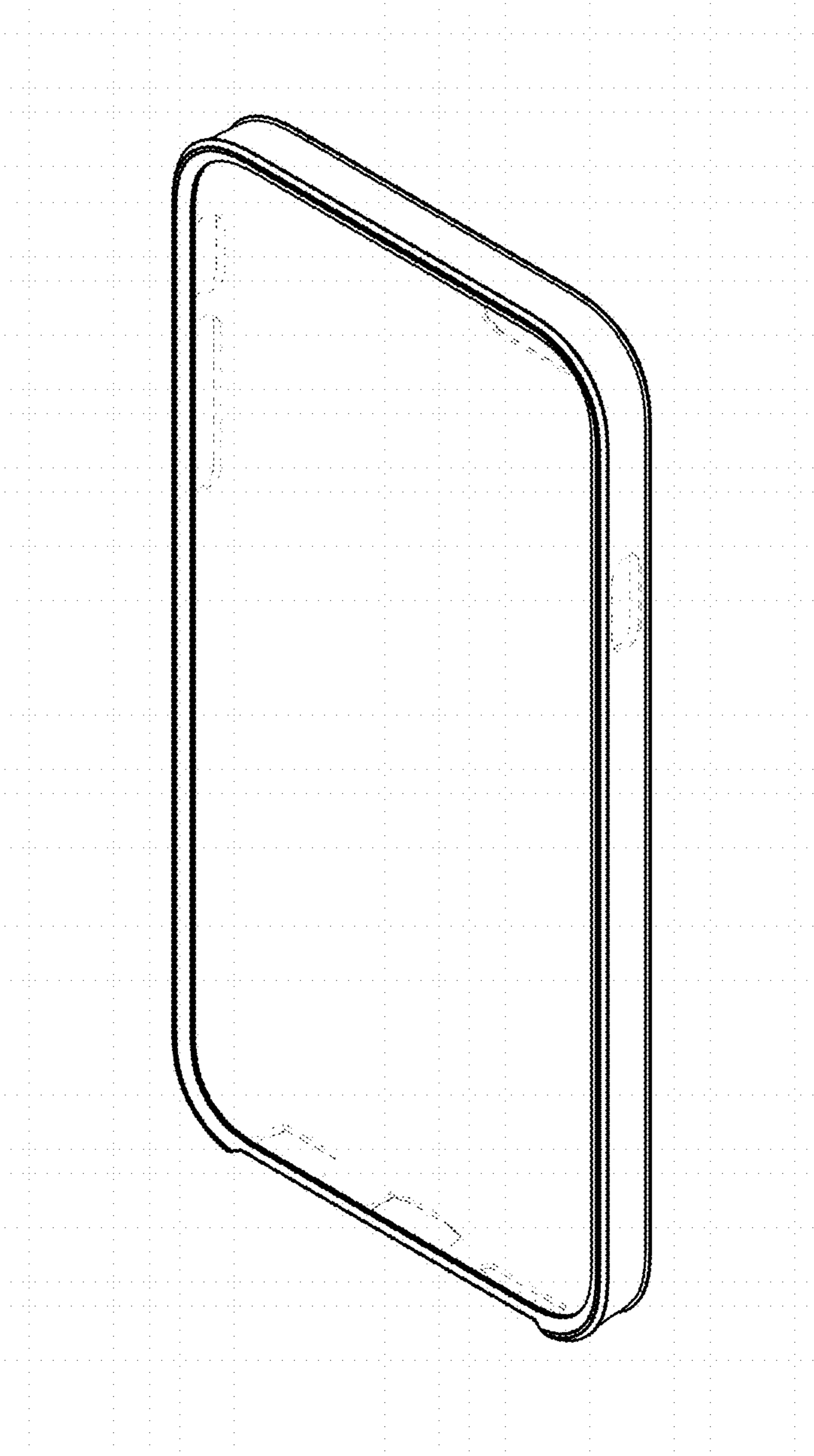


FIG. 12

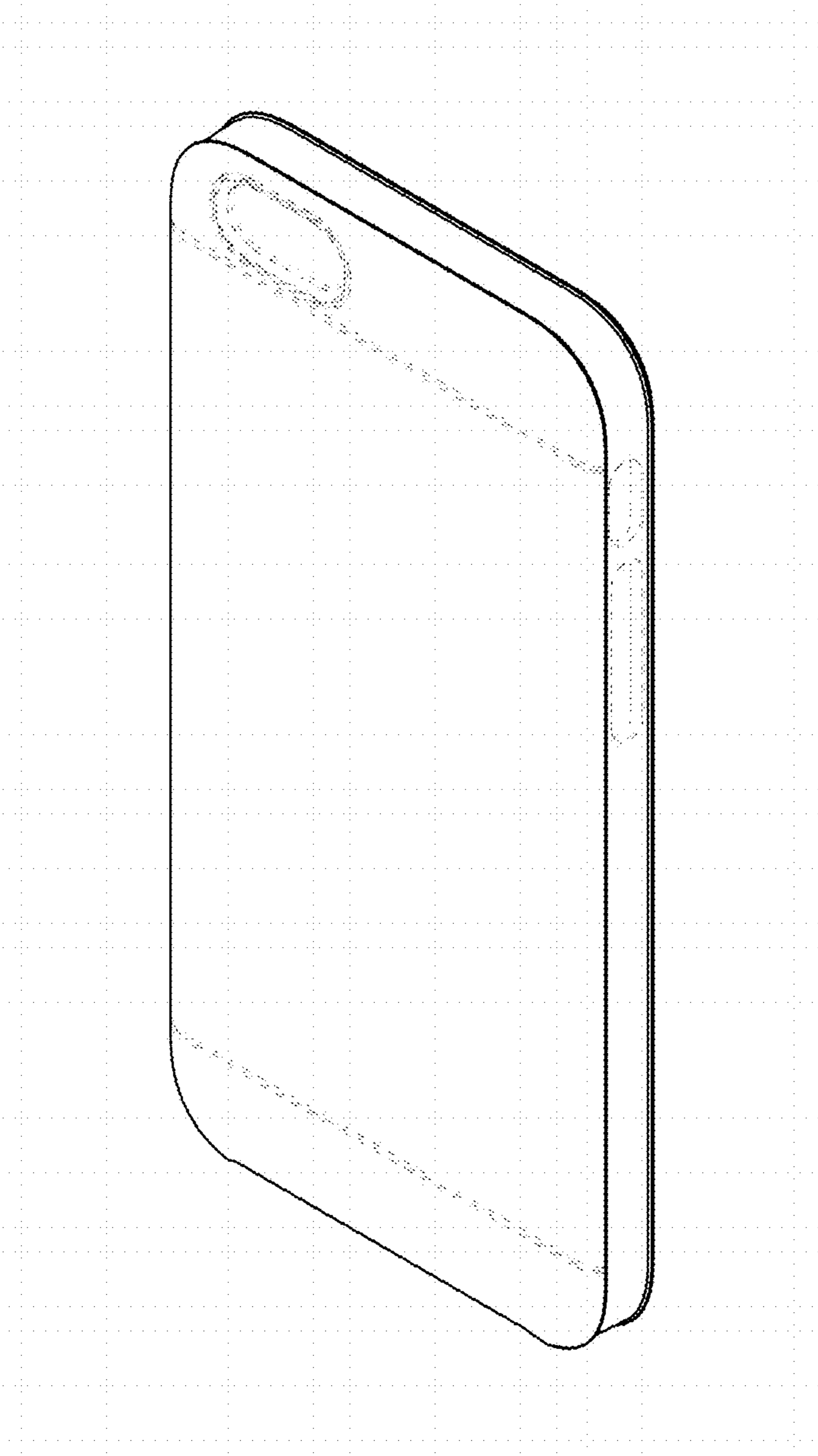


FIG. 13

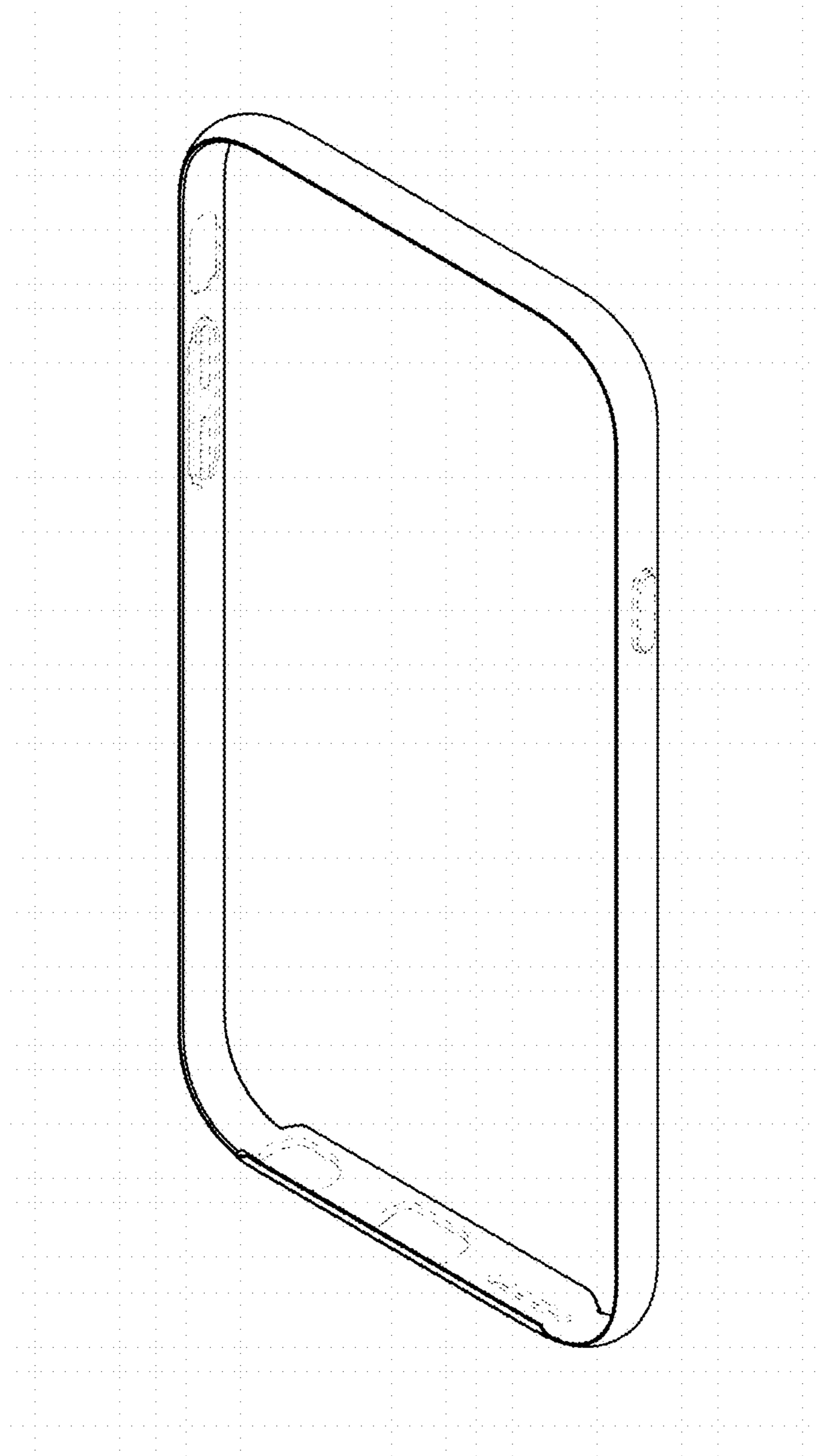




FIG. 14

