



US00D775612S

(12) **United States Design Patent**
Sano

(10) **Patent No.:** **US D775,612 S**
(45) **Date of Patent:** **** Jan. 3, 2017**

(54) **ANTENNA**
(71) Applicant: **Panasonic Intellectual Property Management Co., Ltd., Osaka (JP)**
(72) Inventor: **Yoshihiko Sano, Mie (JP)**
(73) Assignee: **Panasonic Intellectual Property Management Co., Ltd., Osaka (JP)**
(**) Term: **15 Years**
(21) Appl. No.: **29/529,271**
(22) Filed: **Jun. 5, 2015**
(30) **Foreign Application Priority Data**

Dec. 19, 2014 (JP) 2014-028481

(51) **LOC (10) Cl.** **14-03**
(52) **U.S. Cl.**
USPC **D14/230; D14/233**

(58) **Field of Classification Search**
USPC D14/138, 230-238, 299, 358; D12/42, D12/43; 343/700 R-705, 711-713, 735, 343/736, 741, 748, 767, 795, 819, 840, 343/846, 866, 871-908; 455/90.2, 90.3, 455/91, 128, 269, 344, 347, 562.1
CPC H01Q 7/00; H01Q 13/10; H01Q 9/285; H01Q 19/30; H01Q 19/12; H01Q 1/38; H01Q 1/36; H04B 1/0475; H04B 1/034; H05K 11/00
See application file for complete search history.

(56) **References Cited**
U.S. PATENT DOCUMENTS

2,498,350 A * 2/1950 Walsh H01Q 1/085
174/151
2,509,903 A * 5/1950 Brode F42C 13/04
102/214
2,931,897 A * 4/1960 Tuve G01W 1/08
343/700 R

3,346,865 A * 10/1967 Jones, Jr. H01Q 13/106
333/239
D209,506 S * 12/1967 Gaida D14/233
D225,221 S * 11/1972 Sikorski et al. D10/109.1
3,757,698 A * 9/1973 Jacobson F42B 10/46
244/131
4,037,540 A * 7/1977 Keydel F42C 13/00
102/214
D255,449 S * 6/1980 Liautaud D14/233
D282,172 S * 1/1986 Mabuchi D14/233
4,725,475 A * 2/1988 Fiscus H01Q 1/422
343/872
D307,143 S * 4/1990 Ashihara D14/230
D327,691 S * 7/1992 Ogawa D14/230
D361,569 S * 8/1995 Jervis D14/230
5,568,162 A * 10/1996 Samsel H01Q 1/526
343/726
6,020,854 A * 2/2000 Jagnow H01Q 1/281
343/705

(Continued)

Primary Examiner — John Windmuller
(74) *Attorney, Agent, or Firm* — Panasonic IP Management; Kerry S. Culpepper

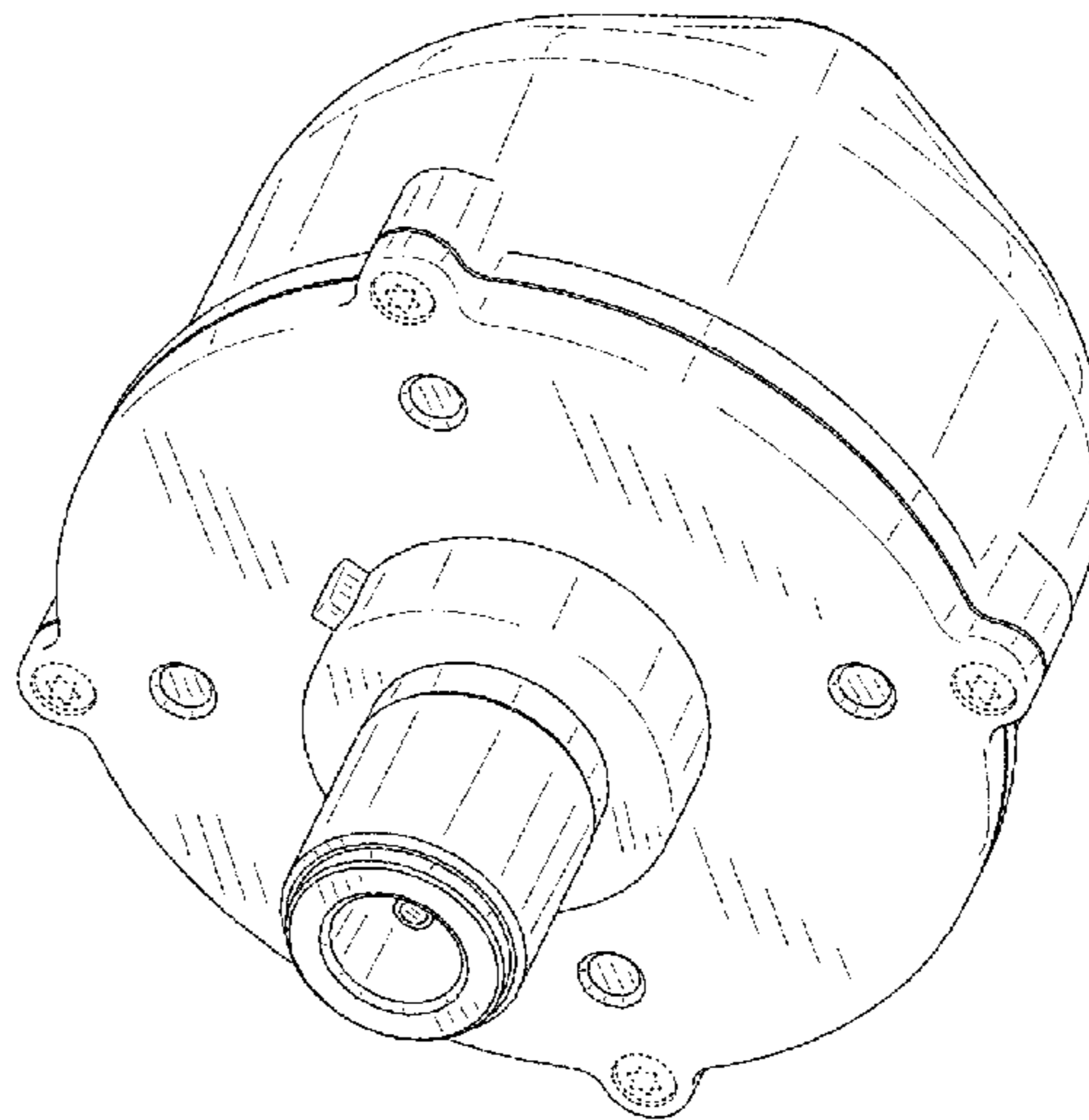
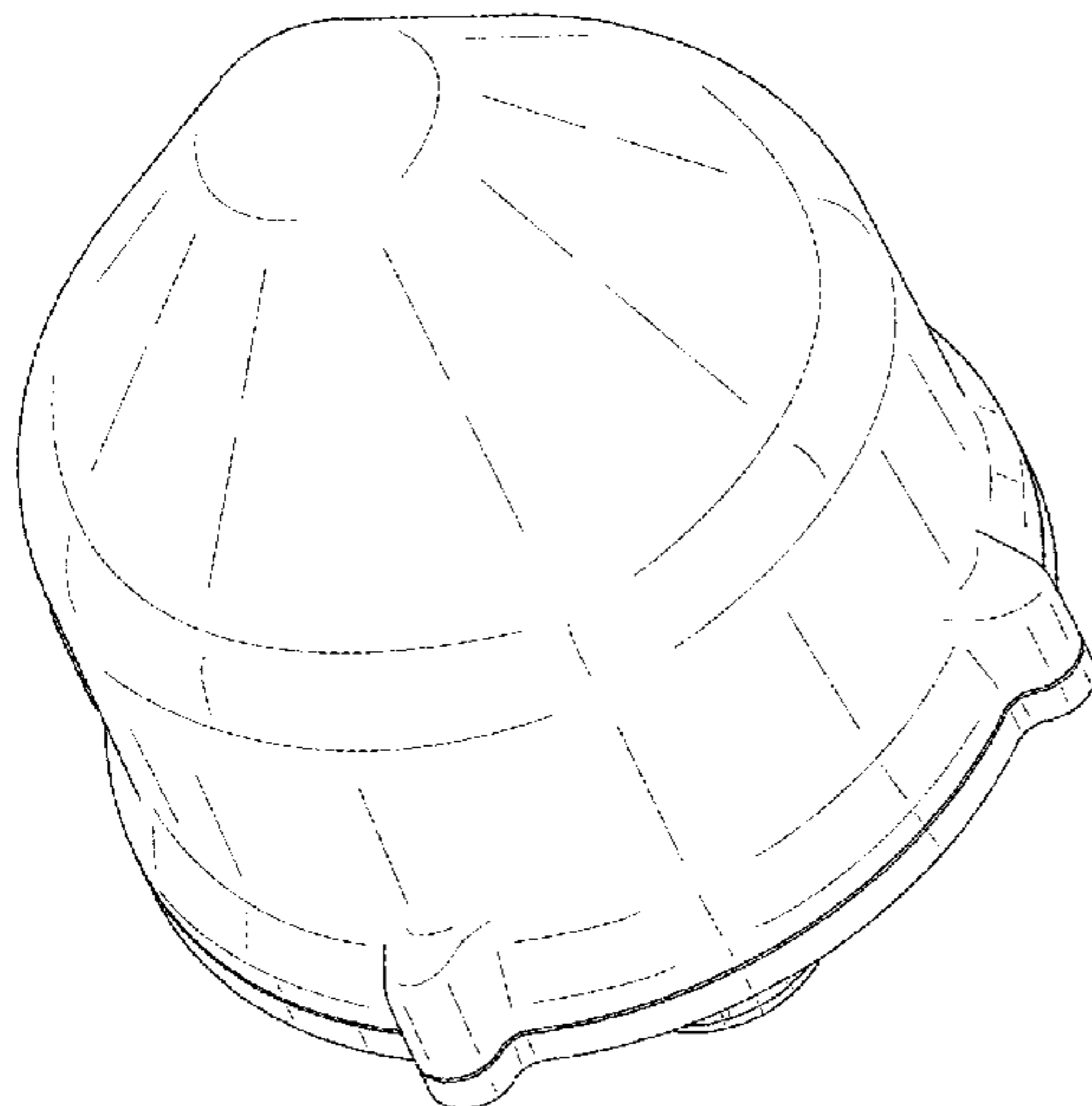
(57) **CLAIM**

I claim the ornamental design for an antenna, as shown and described.

DESCRIPTION

FIG. 1 is a top perspective view of an antenna of the present invention;
FIG. 2 is a bottom perspective view thereof;
FIG. 3 is a front view thereof;
FIG. 4 is a rear view thereof;
FIG. 5 is a first side view thereof;
FIG. 6 is a second side view thereof;
FIG. 7 is a top view thereof; and,
FIG. 8 is a bottom view thereof.
The four broken-line features in FIGS. 2 and 8 are not part of the claimed design.

1 Claim, 8 Drawing Sheets



(56)

References Cited

U.S. PATENT DOCUMENTS

6,023,245 A * 2/2000 Gomez H01Q 9/0407
343/700 MS
6,111,549 A * 8/2000 Feller H01Q 9/28
343/700 MS
D480,712 S * 10/2003 Noro D14/230
6,697,031 B2 * 2/2004 Jocher H01Q 9/28
343/790
D489,712 S * 5/2004 Nagatomi D14/230
7,006,047 B2 * 2/2006 Marsan H01Q 1/28
343/705
7,498,969 B1 * 3/2009 Paulsen F41G 7/346
102/211
7,548,202 B1 * 6/2009 Jennings F42C 13/04
342/418
D623,633 S * 9/2010 Bliss D14/233
D632,281 S * 2/2011 Hoehn D14/218
D634,308 S * 3/2011 Bliss D14/233
9,028,103 B2 * 5/2015 Lee F21K 9/135
362/294
2005/0110649 A1 * 5/2005 Fredericks B64D 47/06
340/815.45

* cited by examiner

FIG. 1

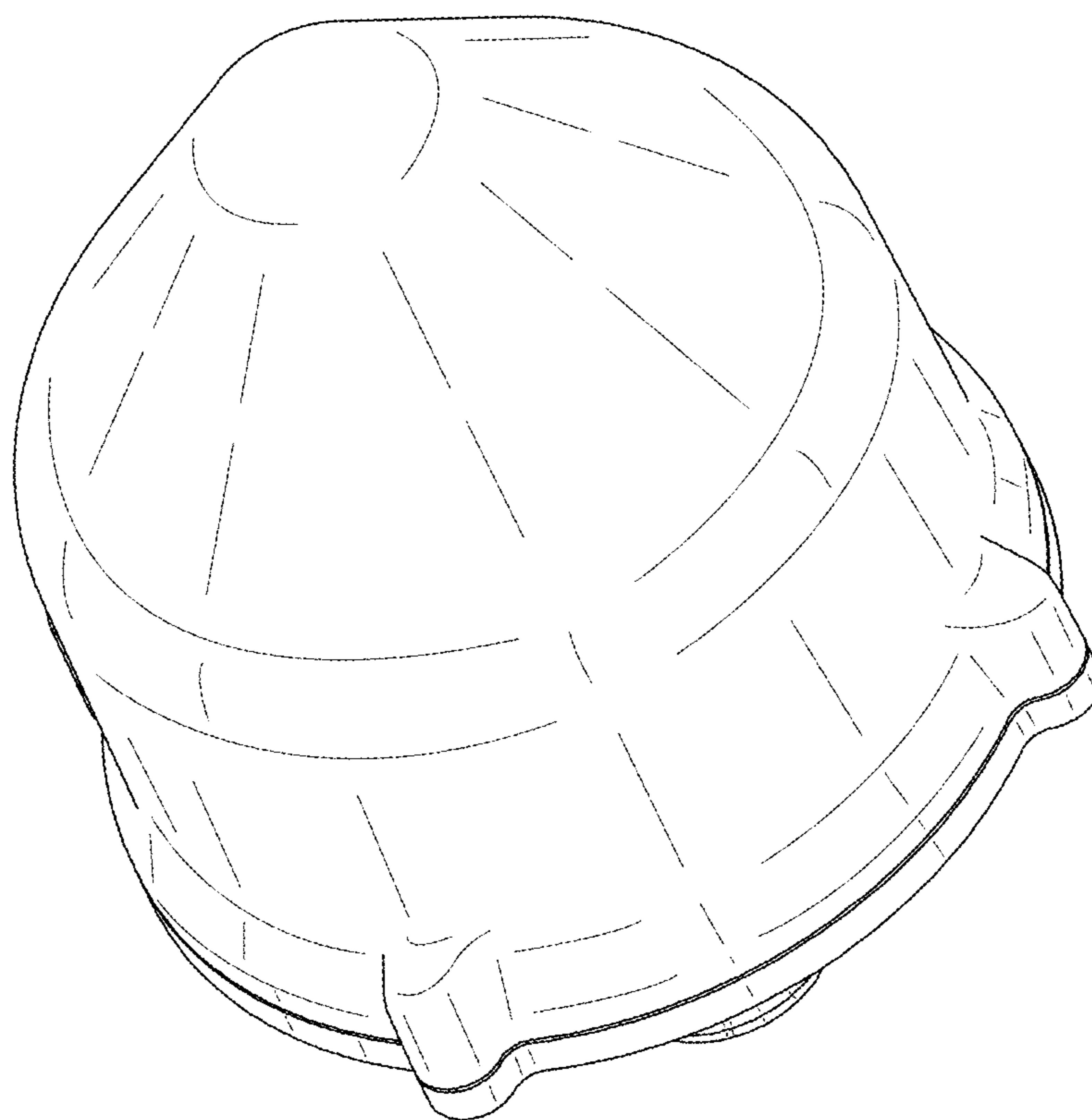


FIG. 2

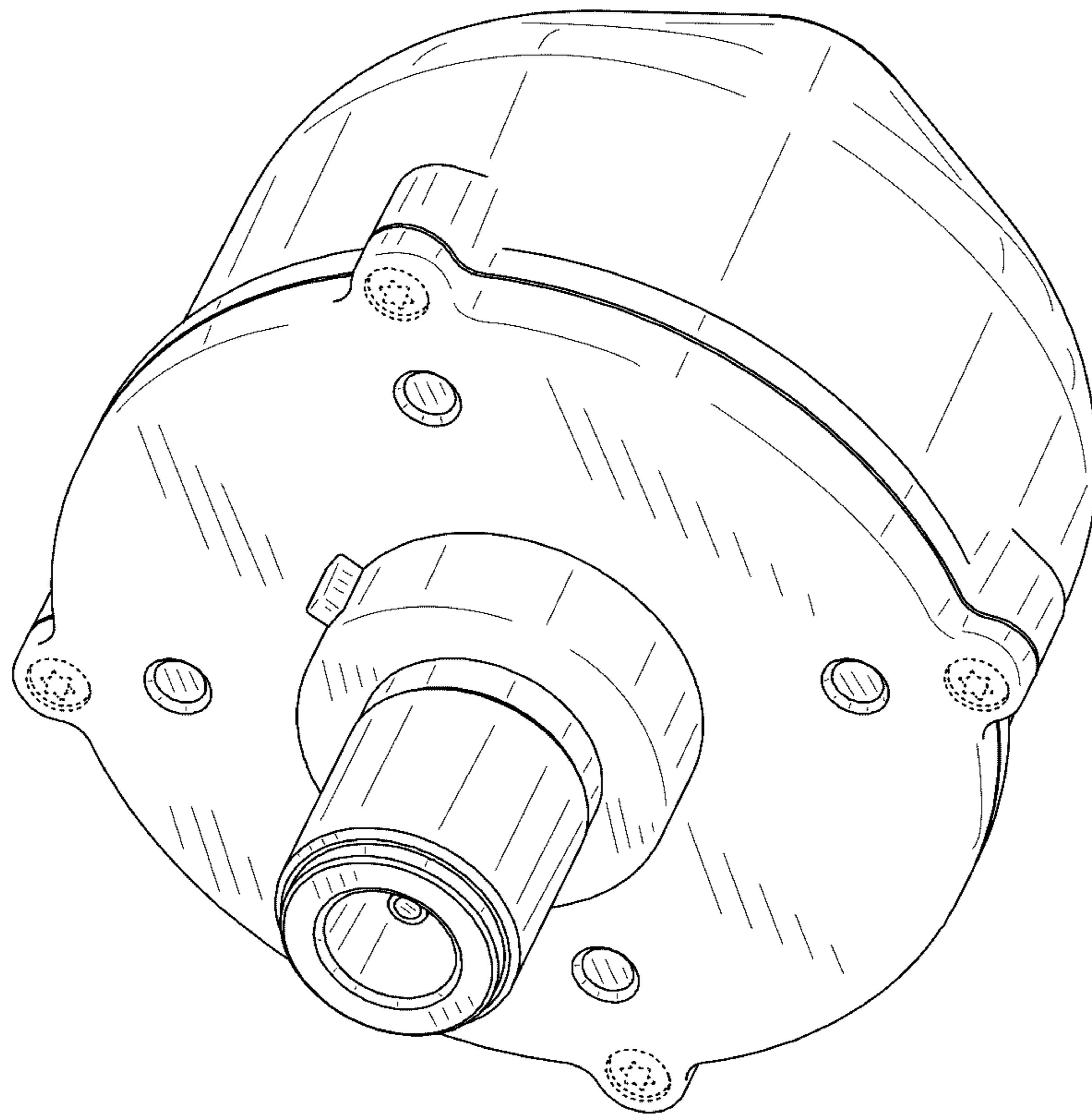


FIG. 3

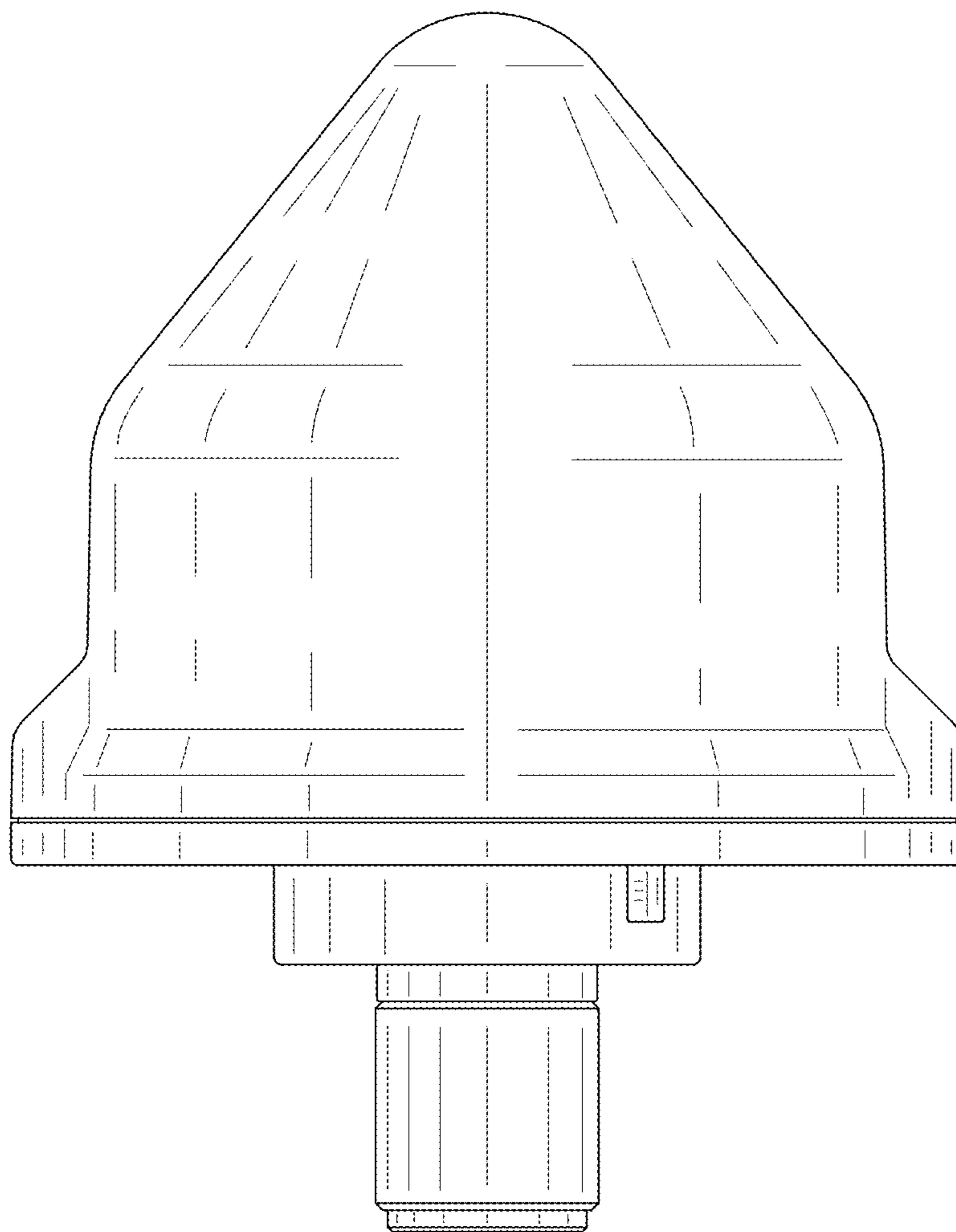


FIG. 4

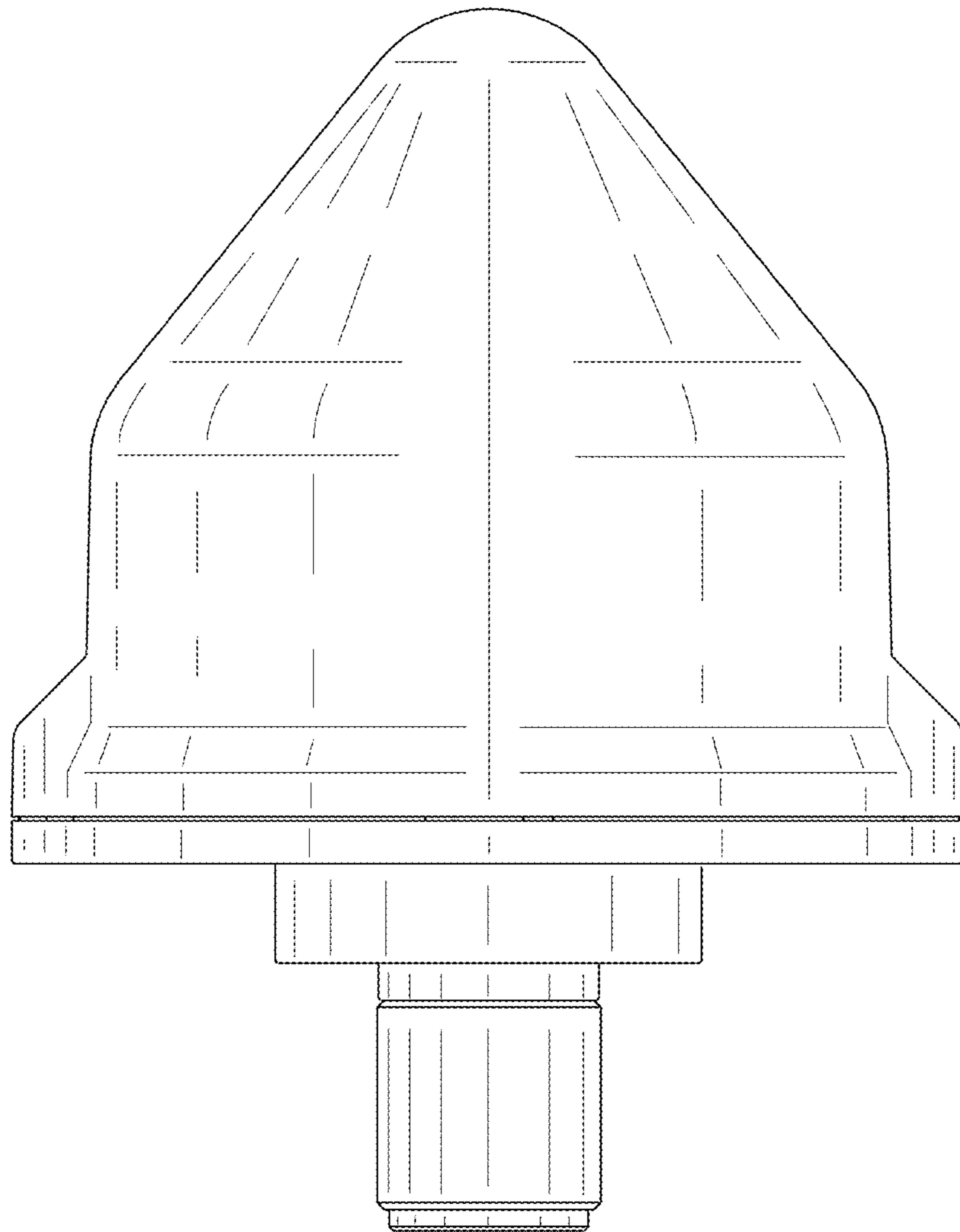


FIG. 5

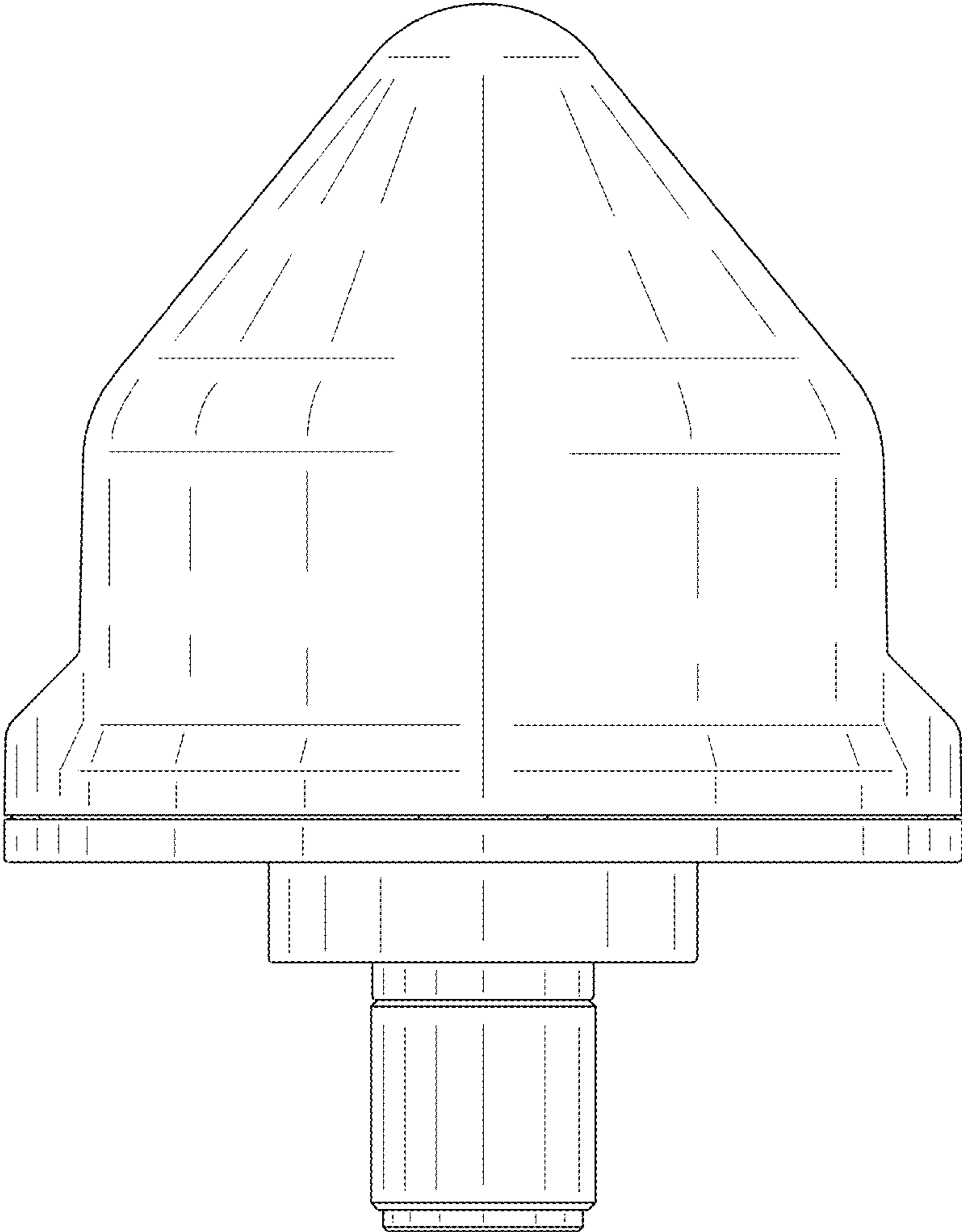


FIG. 6

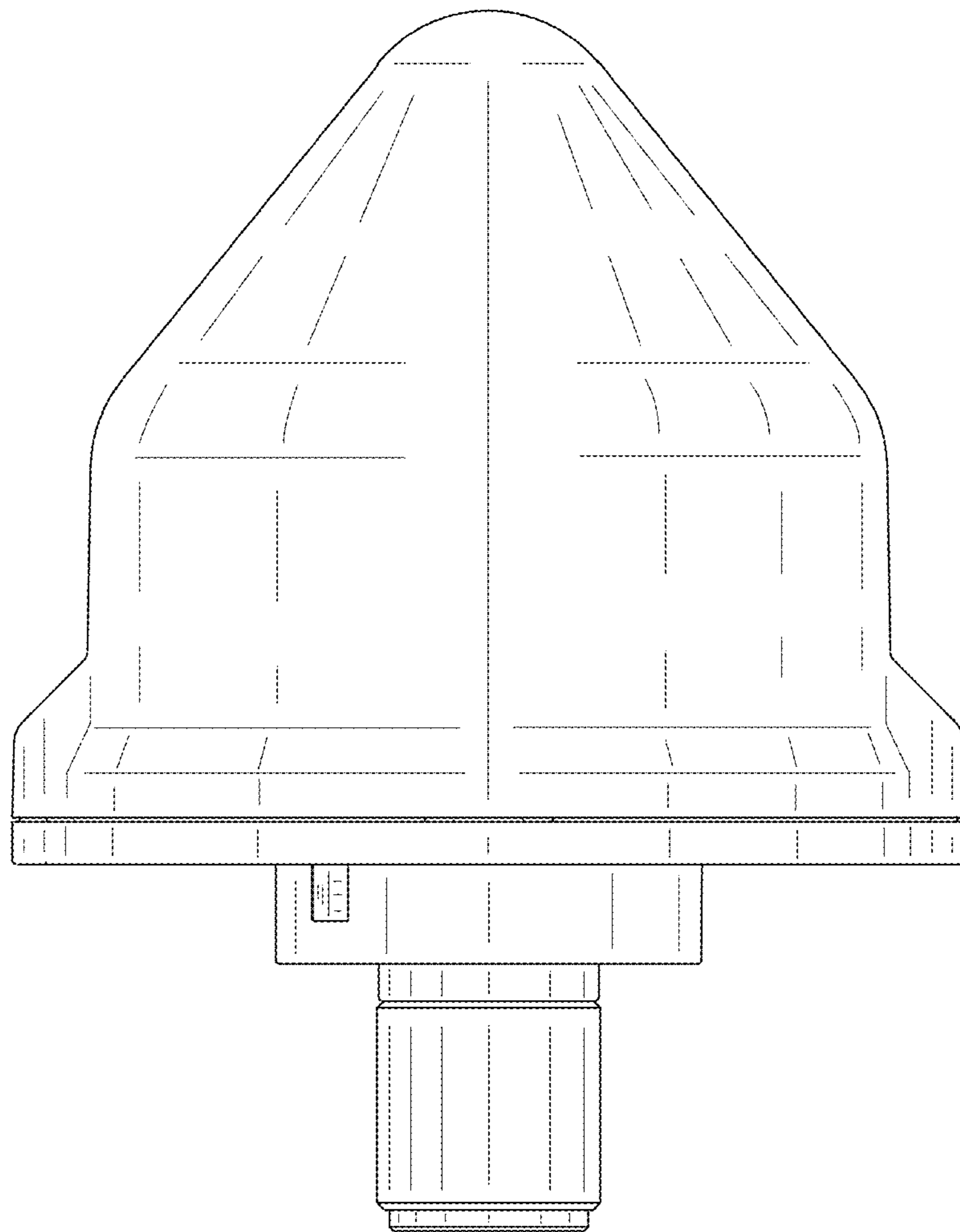


FIG. 7

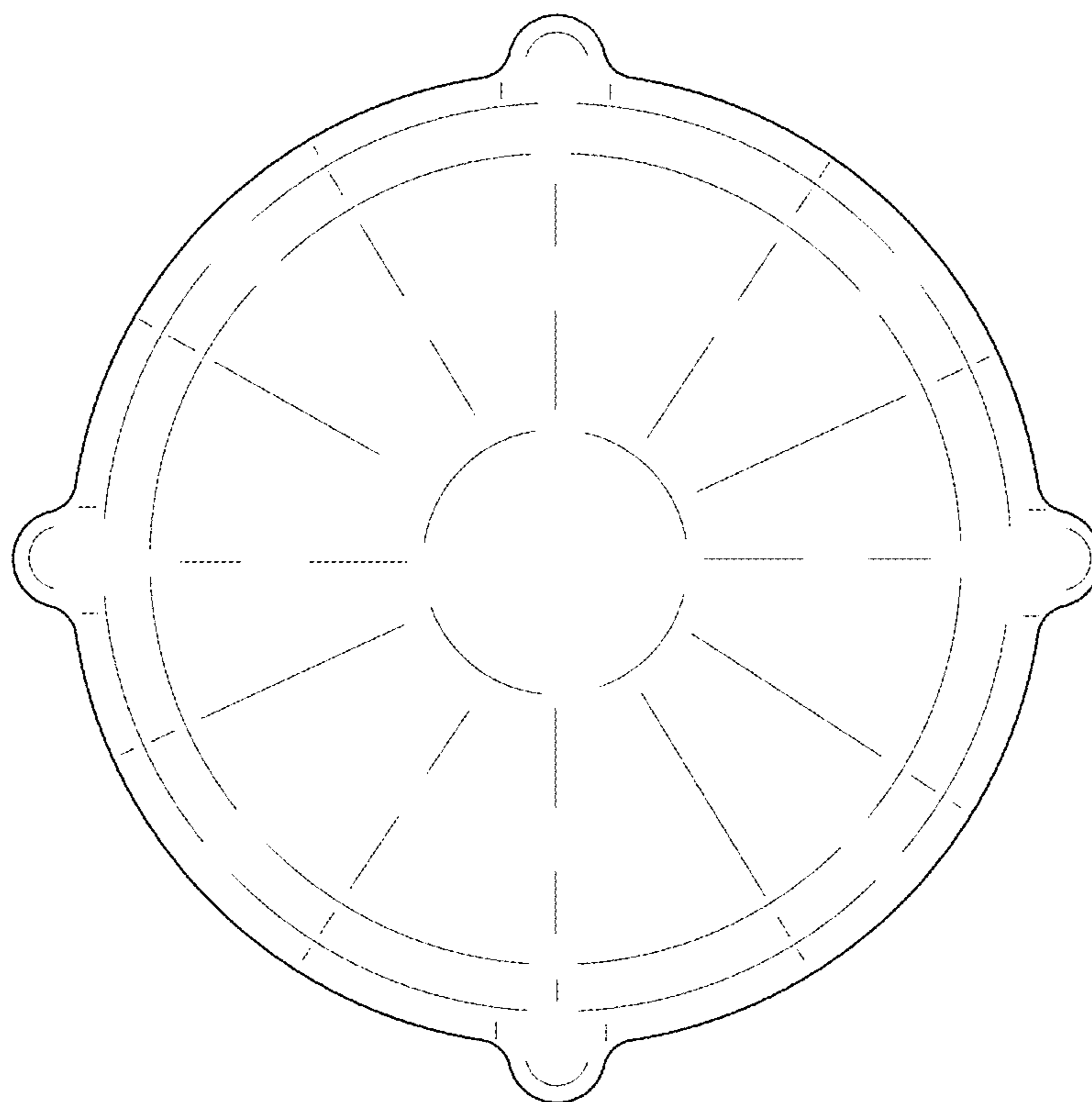


FIG. 8

