



US00D775610S

(12) **United States Design Patent**  
**Nakajima**

(10) **Patent No.:** **US D775,610 S**

(45) **Date of Patent:** **\*\* Jan. 3, 2017**

(54) **EARPHONE**

(71) Applicant: **Panasonic Intellectual Property Management Co., Ltd., Osaka (JP)**

(72) Inventor: **Masayuki Nakajima, Osaka (JP)**

(73) Assignee: **Panasonic Intellectual Property Management Co., Ltd., Osaka (JP)**

(\*\*) Term: **15 Years**

(21) Appl. No.: **29/546,690**

(22) Filed: **Nov. 24, 2015**

(30) **Foreign Application Priority Data**

Jul. 17, 2015 (JP) ..... 2015-015994

(51) **LOC (10) Cl.** ..... **14-01**

(52) **U.S. Cl.**  
USPC ..... **D14/223**

(58) **Field of Classification Search**  
USPC . D14/223; D24/174; 128/864-867; 181/129, 181/130, 135; 381/328, 330, 72, 380, 381/381, 374, 370; 379/430, 431  
CPC ..... H04R 1/105; H04R 1/1058; H04R 25/00; H04R 25/02; H04R 1/1016; H04R 1/02  
See application file for complete search history.

(56) **References Cited**

**U.S. PATENT DOCUMENTS**

2,641,327 A \* 6/1953 Balmer ..... H04R 1/105  
181/129  
5,412,736 A \* 5/1995 Keliiliki ..... H04R 1/105  
381/330  
D375,959 S \* 11/1996 Davis ..... D14/206  
5,625,171 A \* 4/1997 Marshall ..... H04R 1/1058  
181/130  
6,233,344 B1 \* 5/2001 Clegg ..... H04R 1/083  
381/330  
D447,743 S \* 9/2001 Ma ..... D14/223

6,396,935 B1 \* 5/2002 Makkonen ..... H04B 1/385  
379/430  
D460,436 S \* 7/2002 Bjorklund ..... D14/205  
D469,422 S \* 1/2003 Nguyen ..... D14/205  
D470,129 S \* 2/2003 Hlas ..... D14/205  
D474,178 S \* 5/2003 Eroma ..... D14/205  
D498,227 S \* 11/2004 Dyer ..... D14/205  
D501,196 S \* 1/2005 Dyer ..... D14/205  
D504,672 S \* 5/2005 Hirano ..... D14/205  
D510,085 S \* 9/2005 Suzuki ..... D14/223  
D510,575 S \* 10/2005 Leong ..... D14/205  
D515,069 S \* 2/2006 Naito ..... D14/205  
D518,816 S \* 4/2006 Naito ..... D14/205  
D542,267 S \* 5/2007 Cha ..... D14/206

(Continued)

**FOREIGN PATENT DOCUMENTS**

JP D1502701 7/2014

*Primary Examiner* — Paula Greene

(74) *Attorney, Agent, or Firm* — Panasonic IP Management; Kerry S. Culpepper

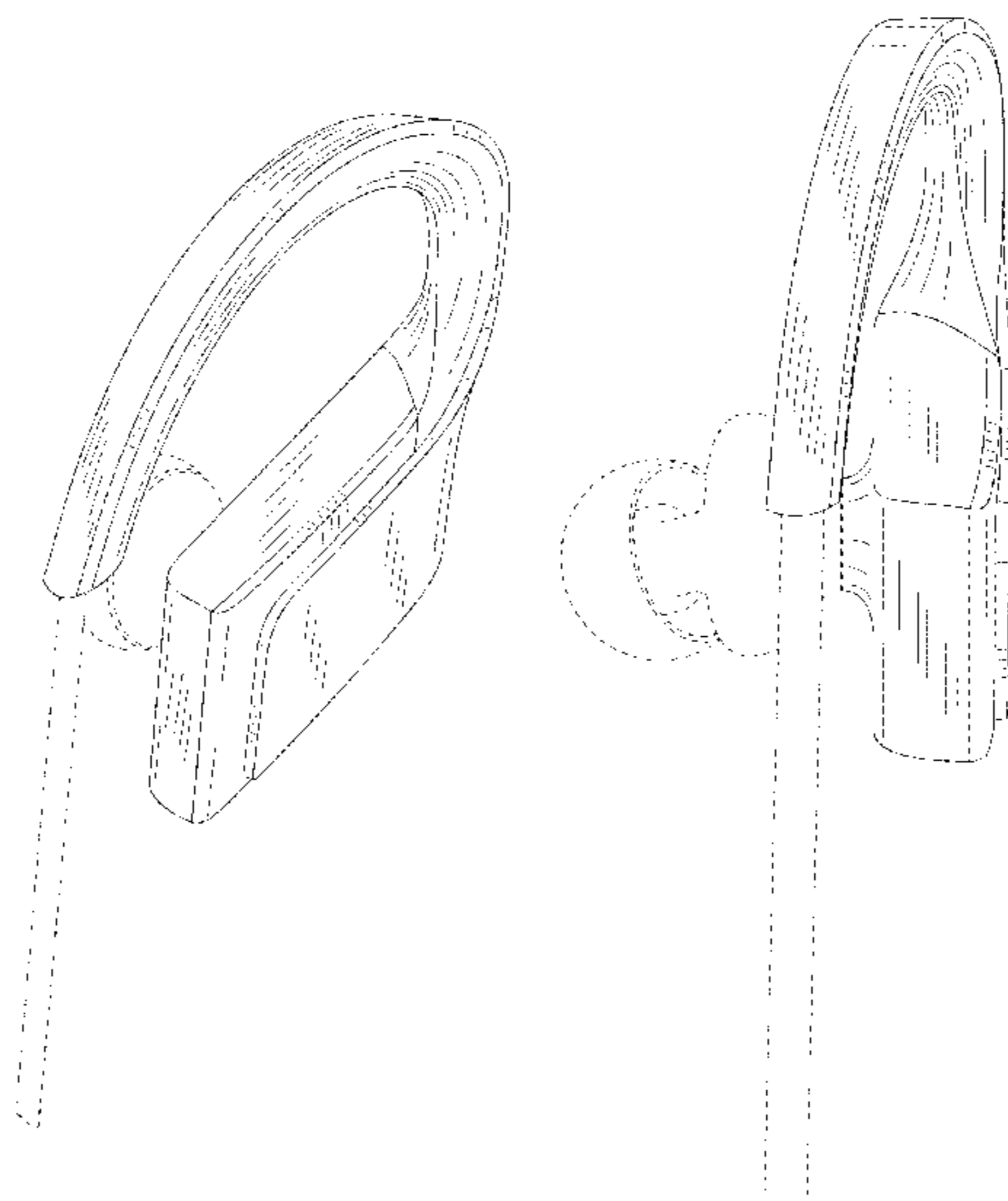
(57) **CLAIM**

The ornamental design for an earphone, as shown and described.

**DESCRIPTION**

FIG. 1 is a front perspective view of an earphone of the present invention;  
FIG. 2 is a rear perspective view thereof;  
FIG. 3 is a front view thereof;  
FIG. 4 is a rear view thereof;  
FIG. 5 is a left side view thereof;  
FIG. 6 is a right side view thereof;  
FIG. 7 is a top view thereof; and,  
FIG. 8 is a bottom view thereof.  
The broken line showing of earphone is included for the purpose of illustrating environment and forms no part of the claimed design.

**1 Claim, 8 Drawing Sheets**



(56)

References Cited

U.S. PATENT DOCUMENTS

D543,968 S \* 6/2007 Wong ..... D14/205  
 D593,075 S \* 5/2009 Williams ..... D14/223  
 D597,084 S \* 7/2009 Gondo ..... D14/223  
 D603,847 S \* 11/2009 Chung ..... D14/223  
 7,648,005 B2 \* 1/2010 Leong ..... A61F 11/08  
 128/867  
 7,708,110 B2 \* 5/2010 Leong ..... A61F 11/08  
 128/867  
 D617,778 S \* 6/2010 Birger ..... D14/223  
 D625,297 S \* 10/2010 Tseng ..... D14/223  
 D629,397 S \* 12/2010 Hensen ..... H04R 5/033  
 D14/223  
 D631,470 S \* 1/2011 Yoneyama ..... D14/223  
 D635,960 S \* 4/2011 Gondo ..... D14/223  
 D639,787 S \* 6/2011 Quek ..... D14/223  
 8,265,328 B2 \* 9/2012 Milde ..... H04R 1/1066  
 381/370  
 D685,768 S \* 7/2013 Mogili ..... D14/223  
 D695,275 S \* 12/2013 Chee ..... D14/223  
 8,655,005 B2 \* 2/2014 Birger ..... H04M 1/05  
 379/430  
 D710,333 S \* 8/2014 Davies ..... H04R 1/10  
 D14/223  
 D712,382 S \* 9/2014 Brunner ..... D14/223  
 D713,385 S \* 9/2014 Burgett ..... D14/223  
 D718,283 S \* 11/2014 Thompson ..... D14/223  
 D725,637 S \* 3/2015 Nakajima ..... D14/223  
 D761,770 S \* 7/2016 Kanou ..... D14/206  
 2003/0044038 A1 \* 3/2003 Shirata ..... H04R 1/105  
 381/381  
 2009/0285434 A1 \* 11/2009 Williams ..... H04R 1/1091  
 381/375

\* cited by examiner

FIG. 1

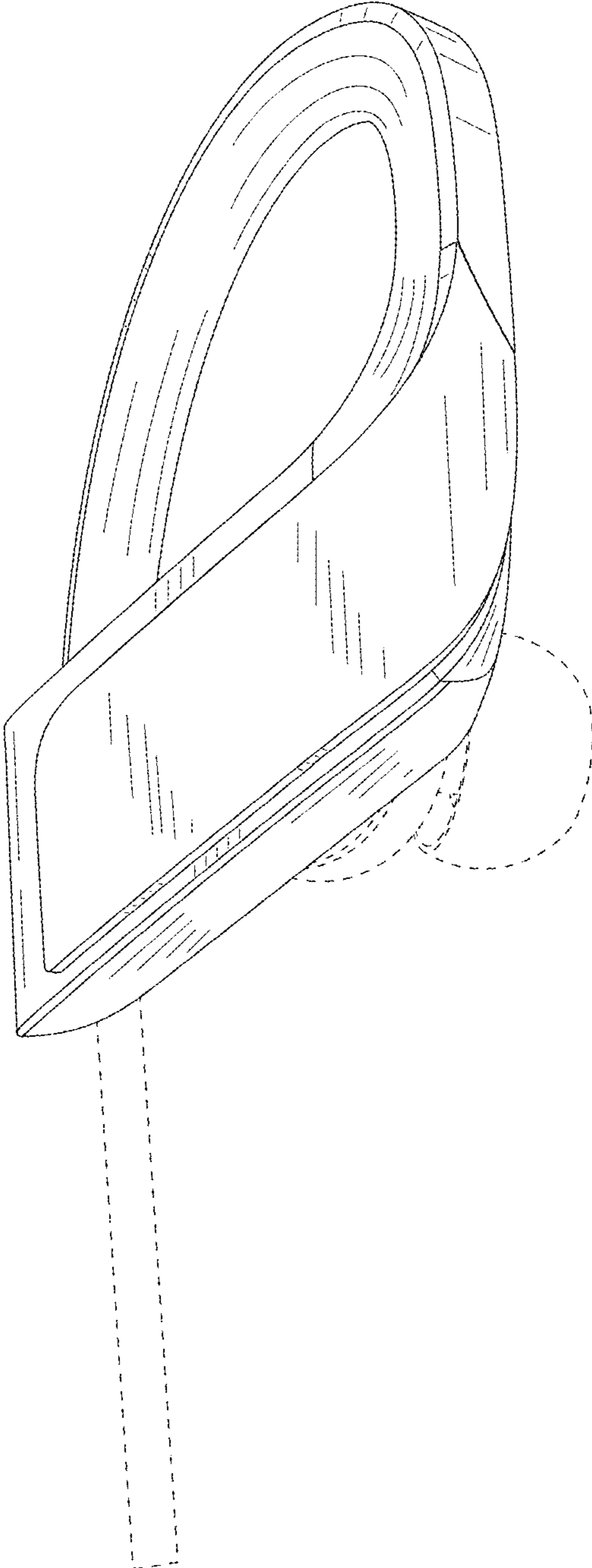


FIG. 2

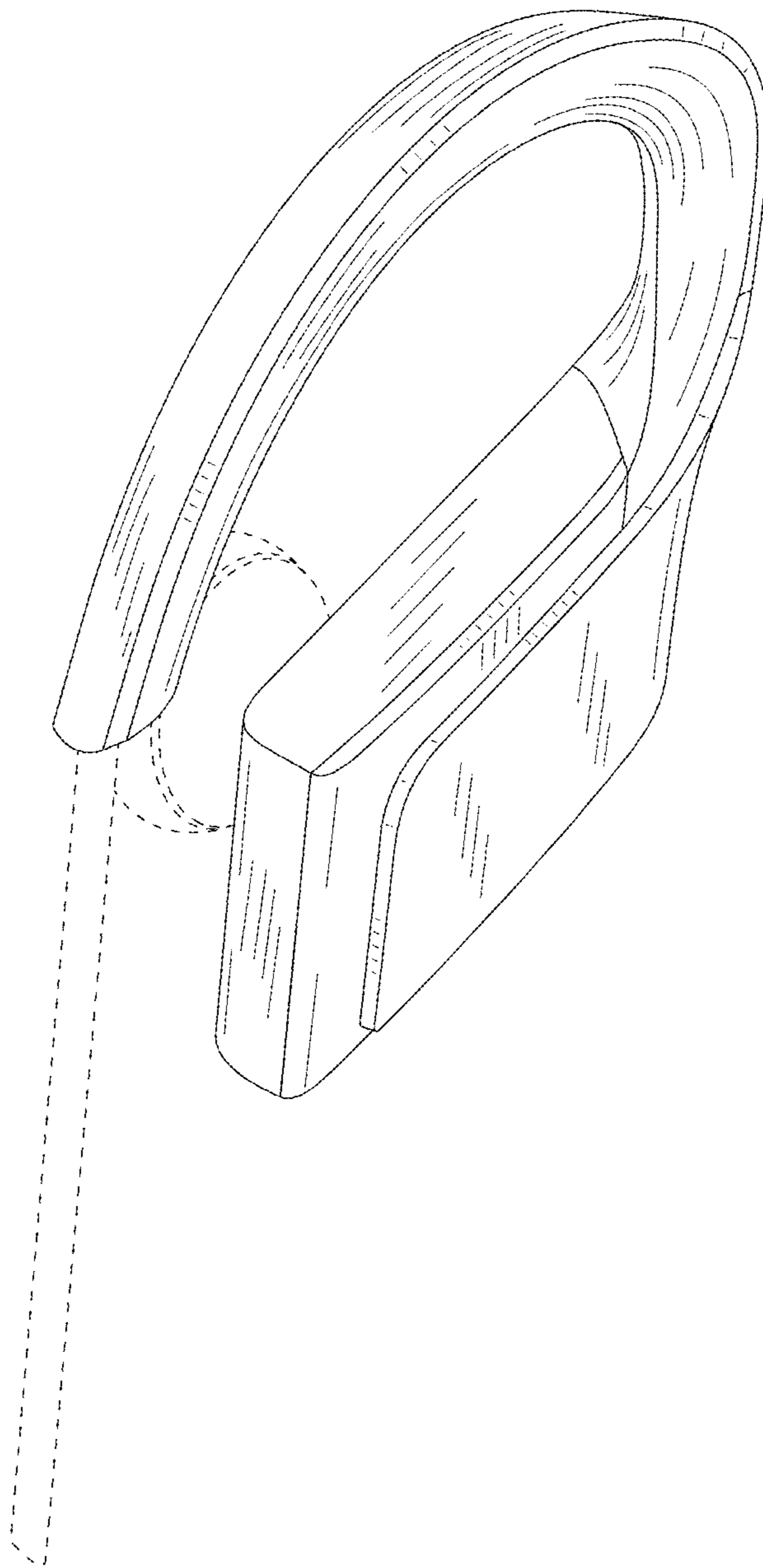


FIG. 3

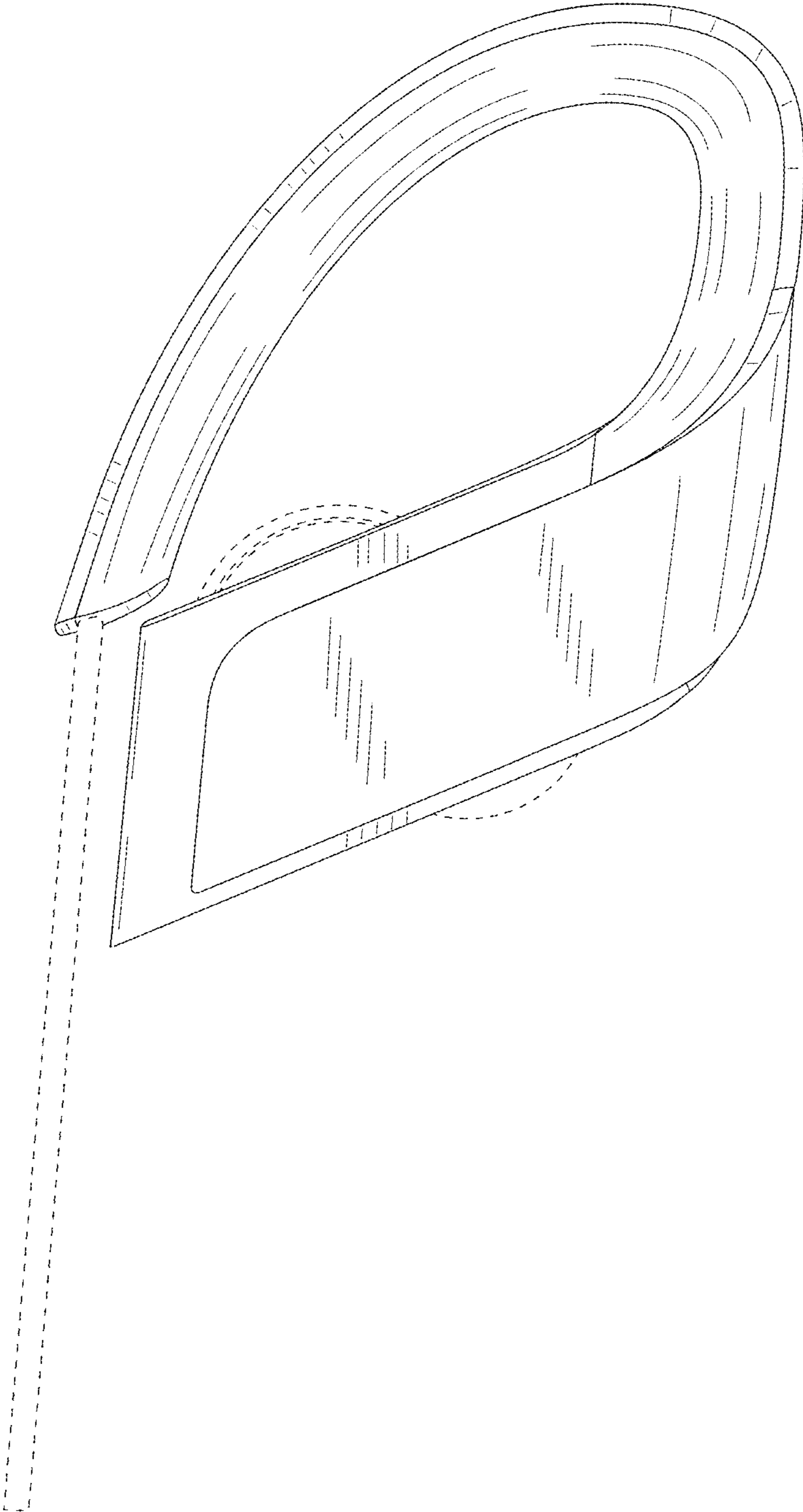


FIG. 4

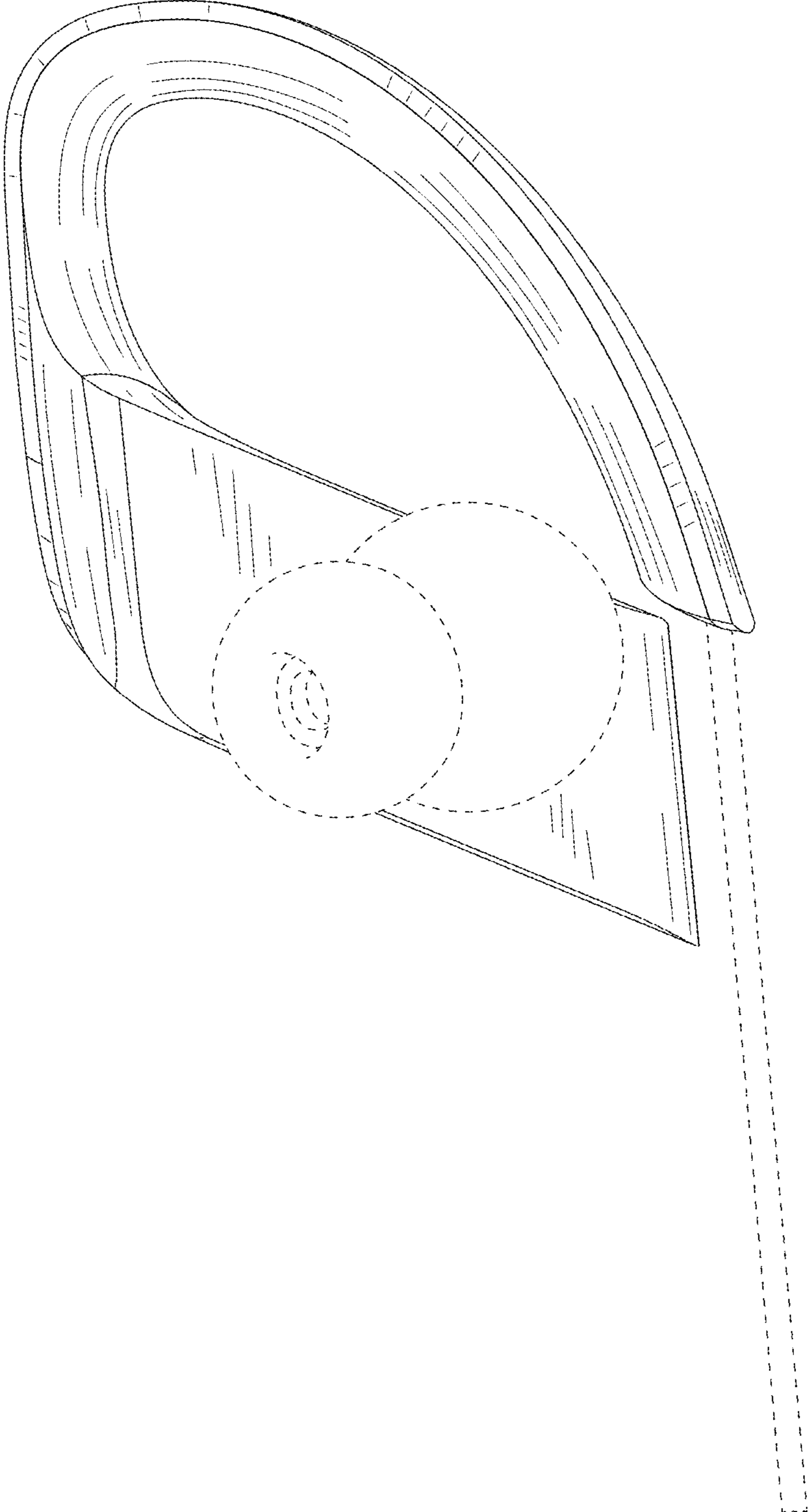


FIG. 5

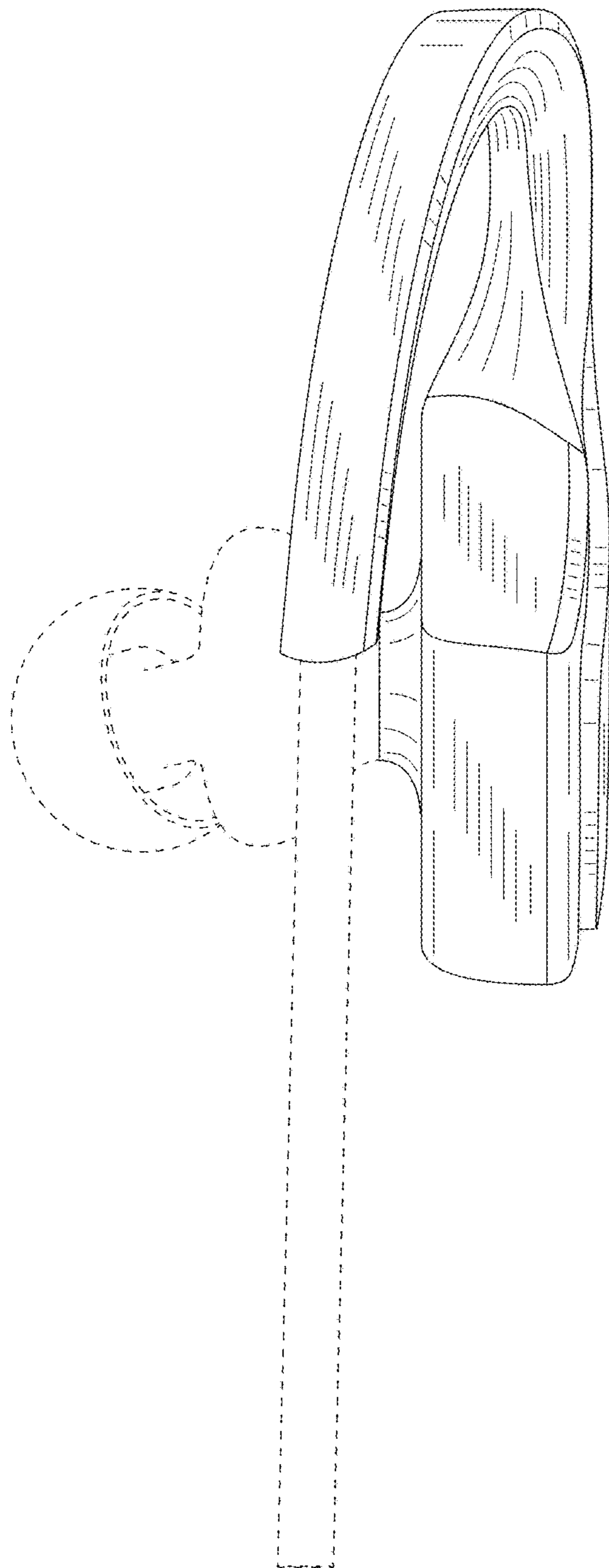


FIG. 6

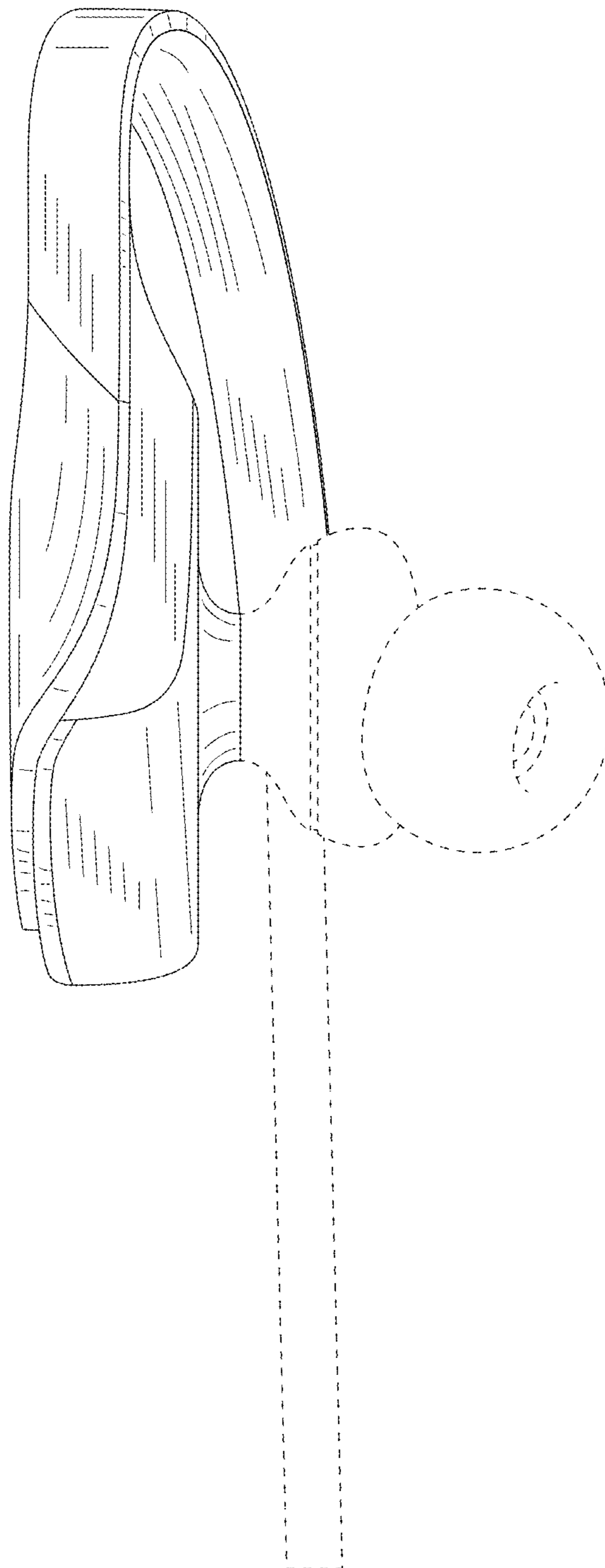




FIG. 7

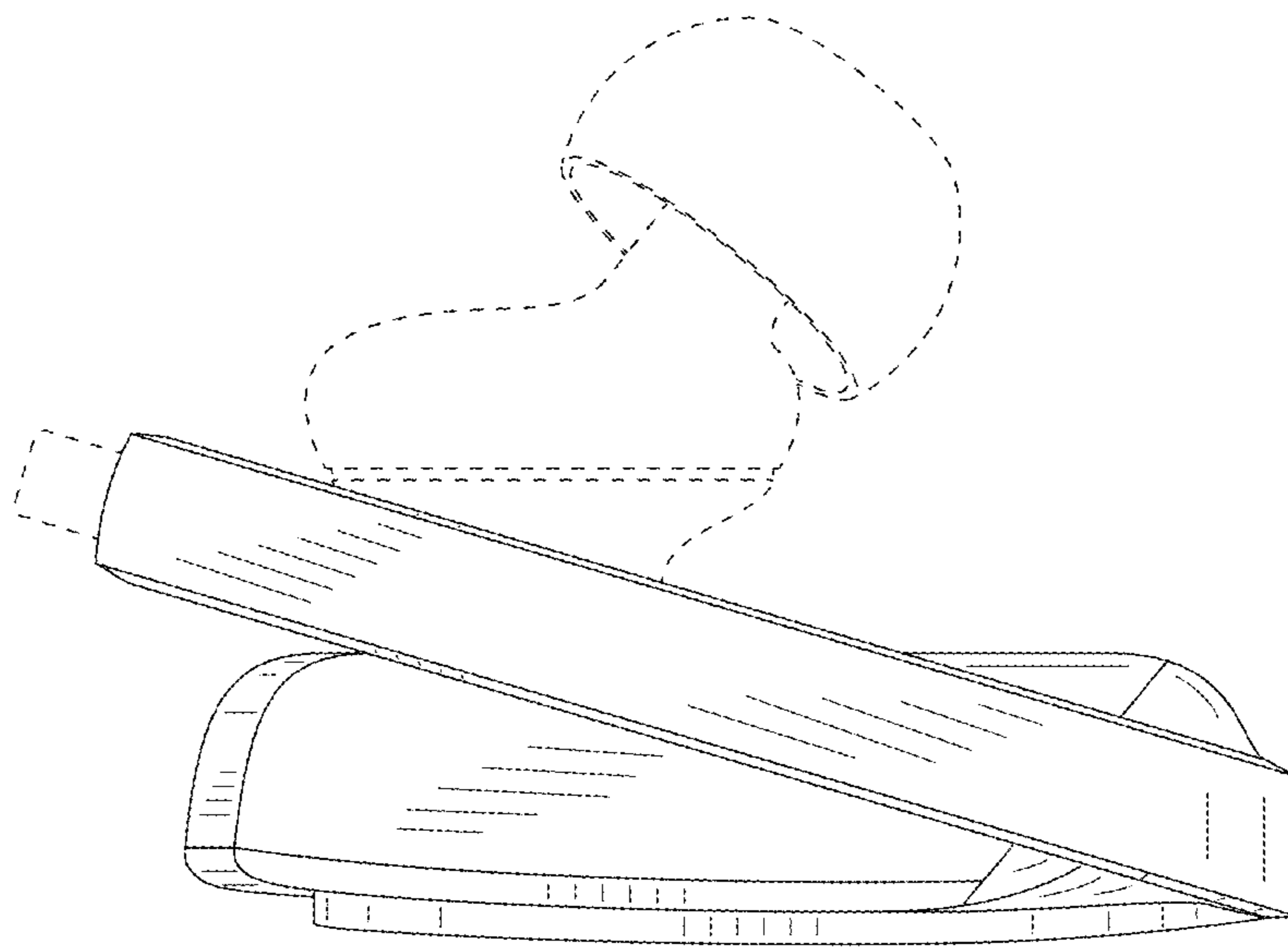


FIG. 8

