



US00D775609S

(12) **United States Design Patent**
Lee et al.

(10) **Patent No.:** **US D775,609 S**
(45) **Date of Patent:** **** Jan. 3, 2017**

- (54) **PORTABLE EARSET**
- (71) Applicant: **LG ELECTRONICS INC.**, Seoul (KR)
- (72) Inventors: **Sungho Lee**, Seoul (KR); **Joonhyung Kim**, Seoul (KR); **Kyubong Choi**, Seoul (KR)
- (73) Assignee: **LG ELECTRONICS INC.**, Seoul (KR)
- (**) Term: **15 Years**
- (21) Appl. No.: **29/535,601**
- (22) Filed: **Aug. 7, 2015**

- (30) **Foreign Application Priority Data**
Feb. 9, 2015 (KR) 30-2015-0006954
- (51) **LOC (10) Cl.** **14-01**
- (52) **U.S. Cl.**
USPC **D14/223**
- (58) **Field of Classification Search**
USPC D14/223, 205, 188, 192; 181/129, 130, 181/135; 379/430, 431; 381/380, 381, 381/151; 455/90.3, 575.1
CPC H04R 1/10; H04R 25/00
See application file for complete search history.

- (56) **References Cited**
U.S. PATENT DOCUMENTS
3,197,576 A * 7/1965 Martin H04R 25/65 381/322
D208,784 S * 10/1967 Sanzone D24/174
D213,109 S * 1/1969 Young D24/174
5,410,608 A * 4/1995 Lucey H04R 1/083 381/360
5,748,743 A * 5/1998 Weeks H04R 25/654 381/312

- 5,781,638 A * 7/1998 Hosaka H04R 1/1016 381/322
- 6,084,976 A * 7/2000 Lin H04R 1/1016 181/129
- D430,146 S * 8/2000 Lin D14/223
- D455,835 S * 4/2002 Anderson D24/174
- D471,898 S * 3/2003 Bae D14/205
- 6,574,345 B1 * 6/2003 Huang H04R 1/1016 379/430
- D479,834 S * 9/2003 Salazar D14/205
- 6,668,064 B1 * 12/2003 Lin H04R 1/1016 381/328
- D487,077 S * 2/2004 Obata D14/223
- 6,760,459 B2 * 7/2004 Bae H04R 1/1025 379/430
- D510,337 S * 10/2005 Tages D14/205
- D512,049 S * 11/2005 Yang D14/205
- D514,551 S * 2/2006 Lee D14/205
- D516,058 S * 2/2006 Garcia D14/205
- D517,054 S * 3/2006 Yang D14/205

(Continued)

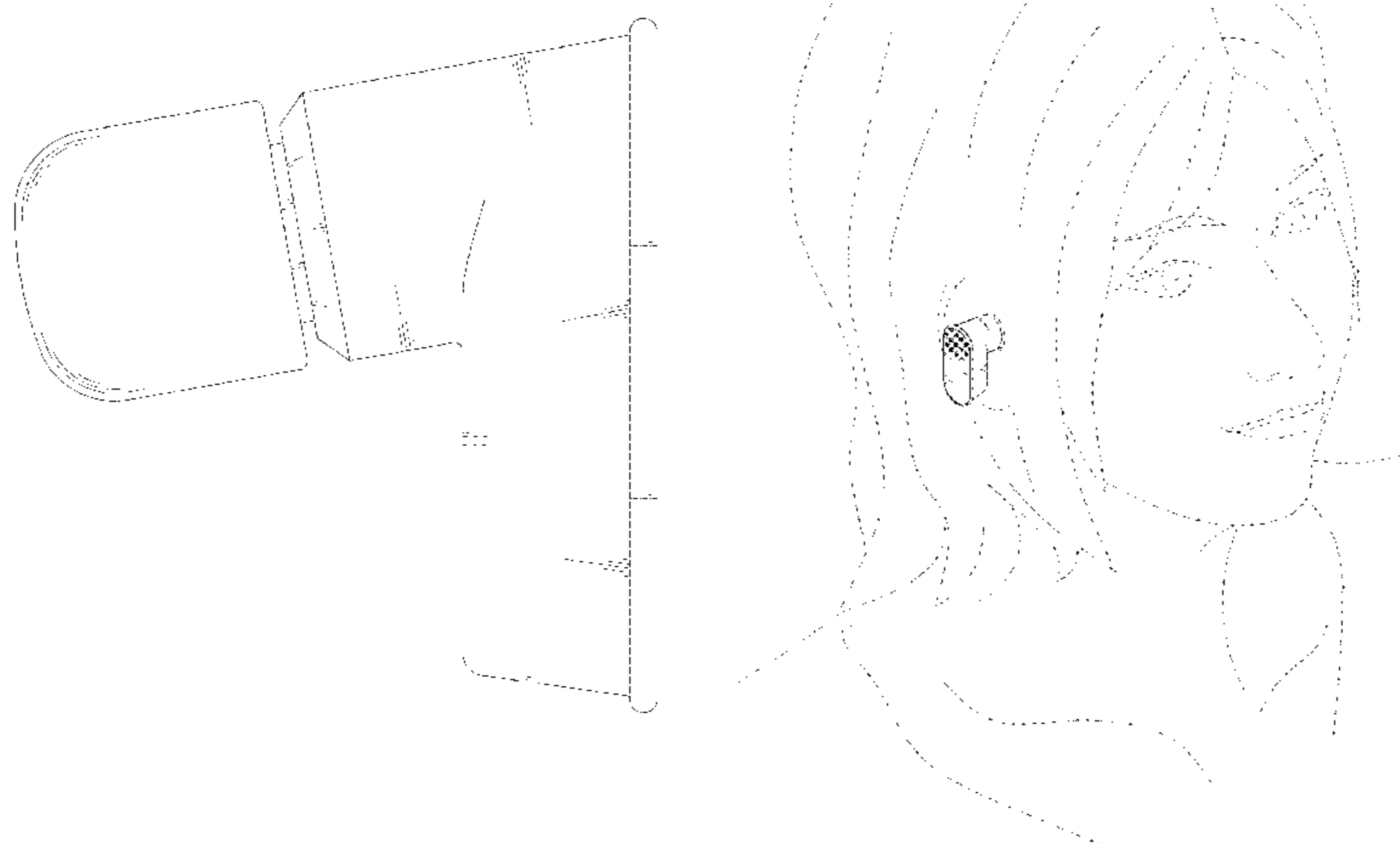
Primary Examiner — Paula Greene
(74) *Attorney, Agent, or Firm* — Birch, Stewart, Kolasch & Birch, LLP

(57) **CLAIM**
The ornamental design for a portable earset, as shown and described.

DESCRIPTION

FIG. 1 is a perspective view of a portable earset showing our new design;
FIG. 2 is a front view thereof;
FIG. 3 is a rear view thereof;
FIG. 4 is a left side view thereof where the right side view is a mirror image;
FIG. 5 is a top plan view thereof;
FIG. 6 is a bottom plan view thereof; and,
FIG. 7 is a reference view thereof showing an example of the usage of the subject design.
The broken lines depict portions of the portable earset that form no part of the claimed design.

1 Claim, 7 Drawing Sheets



(56)

References Cited

U.S. PATENT DOCUMENTS

7,031,485 B2 *	4/2006	Webber	H04R 1/105				
								381/328
7,079,664 B2 *	7/2006	Nassimi	H04R 25/558				
								381/328
D531,169 S *	10/2006	Tokioka	D14/223				
D538,271 S *	3/2007	Kim	D14/223				
D550,200 S *	9/2007	Drambarean	D14/205				
D550,657 S *	9/2007	Gan	D14/223				
D552,087 S *	10/2007	Wei	D14/223				
D554,109 S *	10/2007	Ledbetter	D14/223				
D555,151 S *	11/2007	Eklund	D14/223				
D555,152 S *	11/2007	Wang	D14/223				
D562,309 S *	2/2008	Choi	D14/223				
D566,099 S *	4/2008	Komiyama	D14/206				
D566,105 S *	4/2008	Yang	D14/223				
D581,396 S *	11/2008	Wikel	D14/206				
D583,804 S *	12/2008	Mahler	D14/223				
D603,377 S *	11/2009	Chung	D14/223				
D603,378 S *	11/2009	Paradise	D14/223				
7,639,825 B2 *	12/2009	Fukuda	H04M 1/03				
								381/151
D608,766 S *	1/2010	Brickstad	D14/223				
D620,927 S *	8/2010	Li	D14/223				
D626,117 S *	10/2010	Lowry	D14/223				
D637,184 S *	5/2011	March	D14/223				
D641,738 S *	7/2011	Perez	D14/223				
D649,957 S *	12/2011	Fahrendorff	D14/223				
D666,996 S *	9/2012	Hardi	D14/223				
D671,531 S *	11/2012	Kim	D14/223				
D673,140 S *	12/2012	Kelly	D14/223				
D687,417 S *	8/2013	Koss	D14/223				
D705,758 S *	5/2014	Drambarean	D14/223				
D705,760 S *	5/2014	Drambarean	D14/223				
D707,659 S *	6/2014	Henning	D14/223				
D711,858 S *	8/2014	Yang	D14/223				
D725,635 S *	3/2015	Burgett	D14/223				
D747,702 S *	1/2016	Breines	D14/223				
2009/0304220 A1 *	12/2009	Fujikura	H04R 1/1091				
								381/380

* cited by examiner

FIG. 1

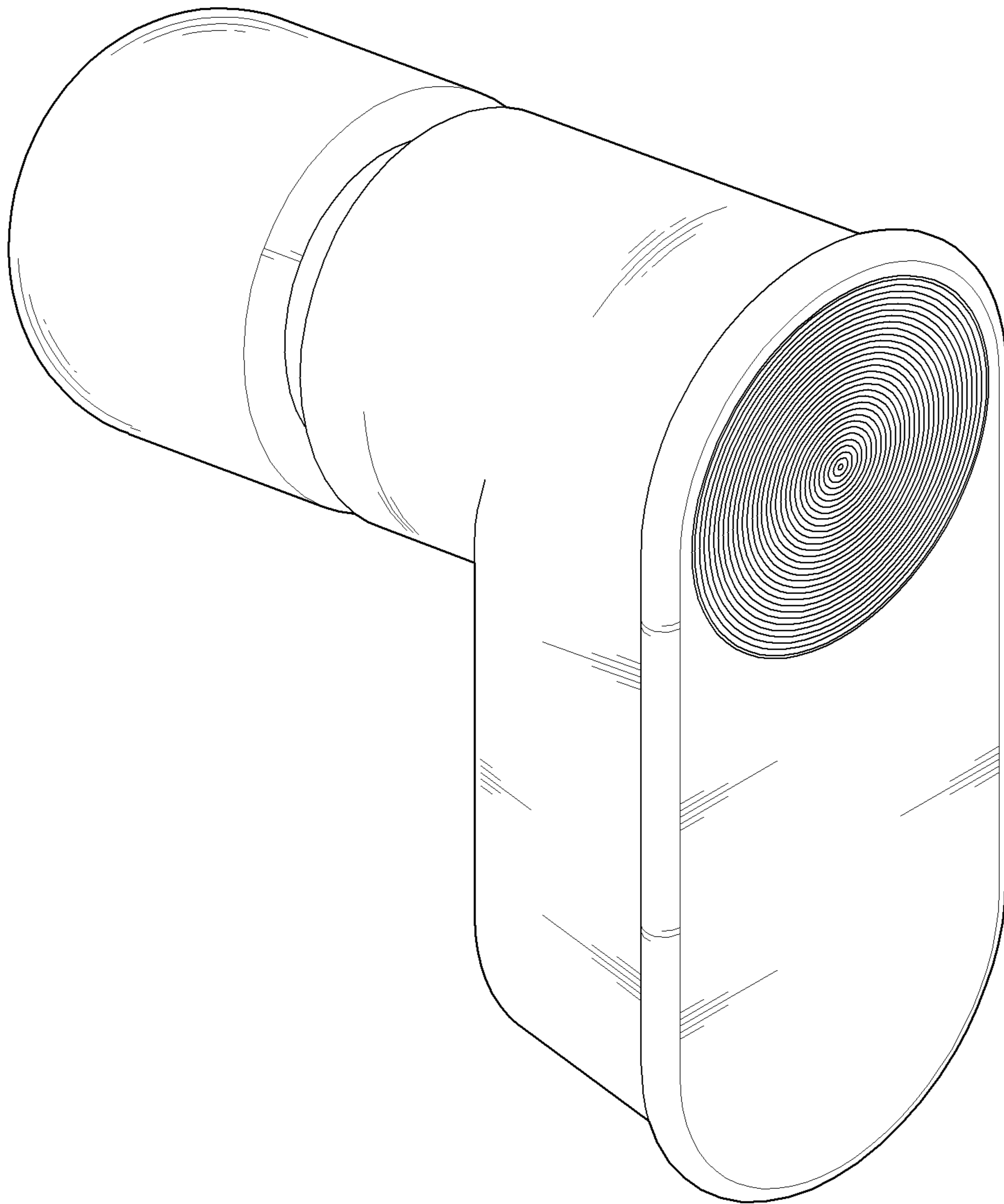


FIG. 2

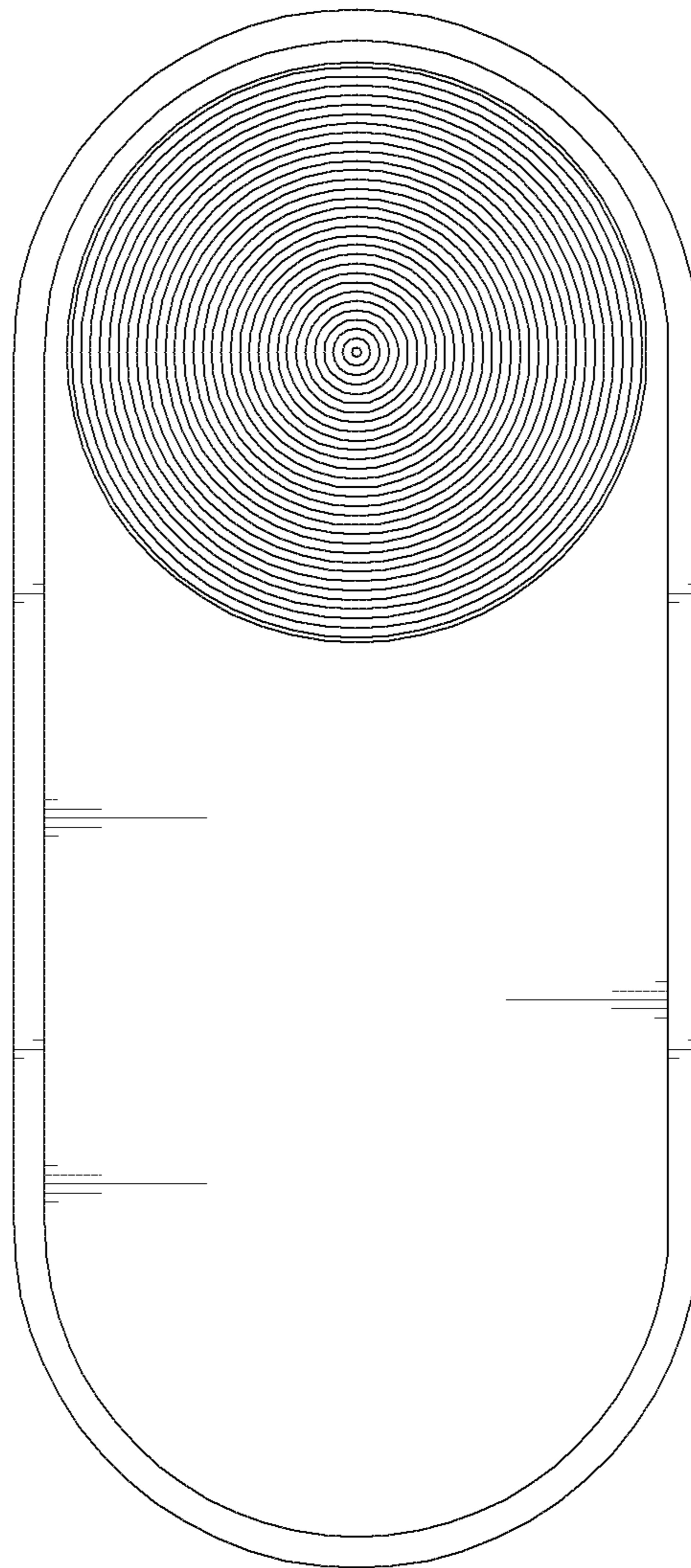


FIG. 3

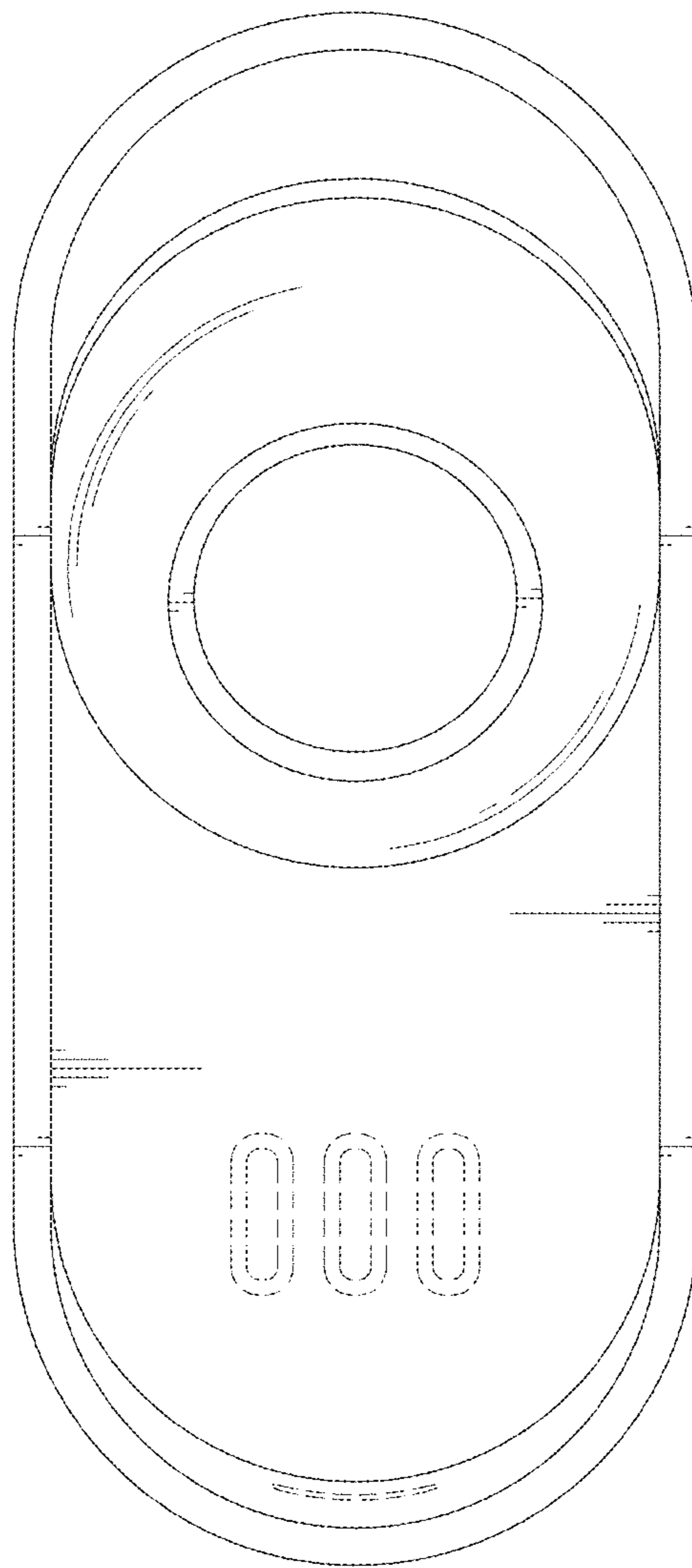


FIG. 4

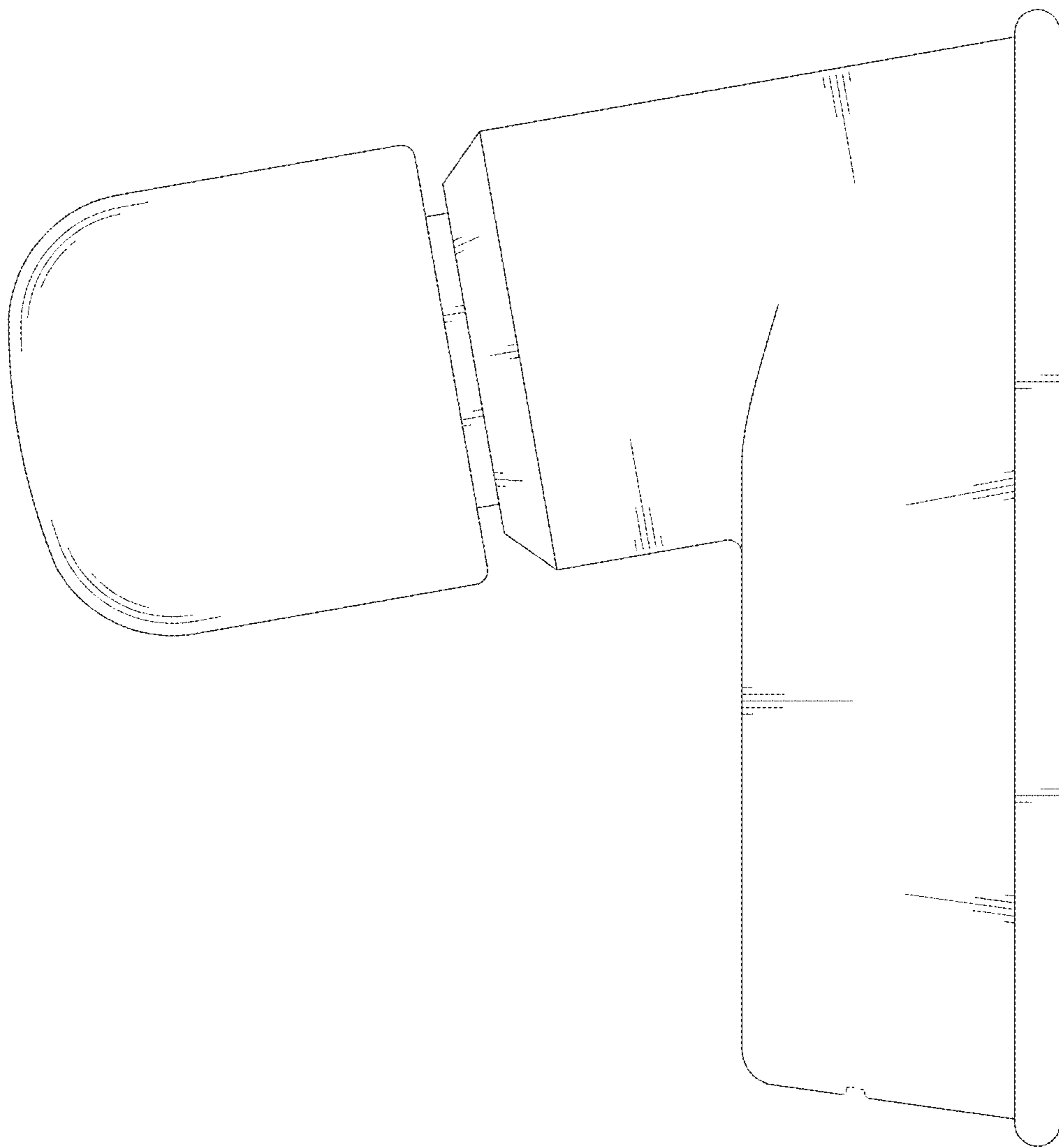


FIG. 5

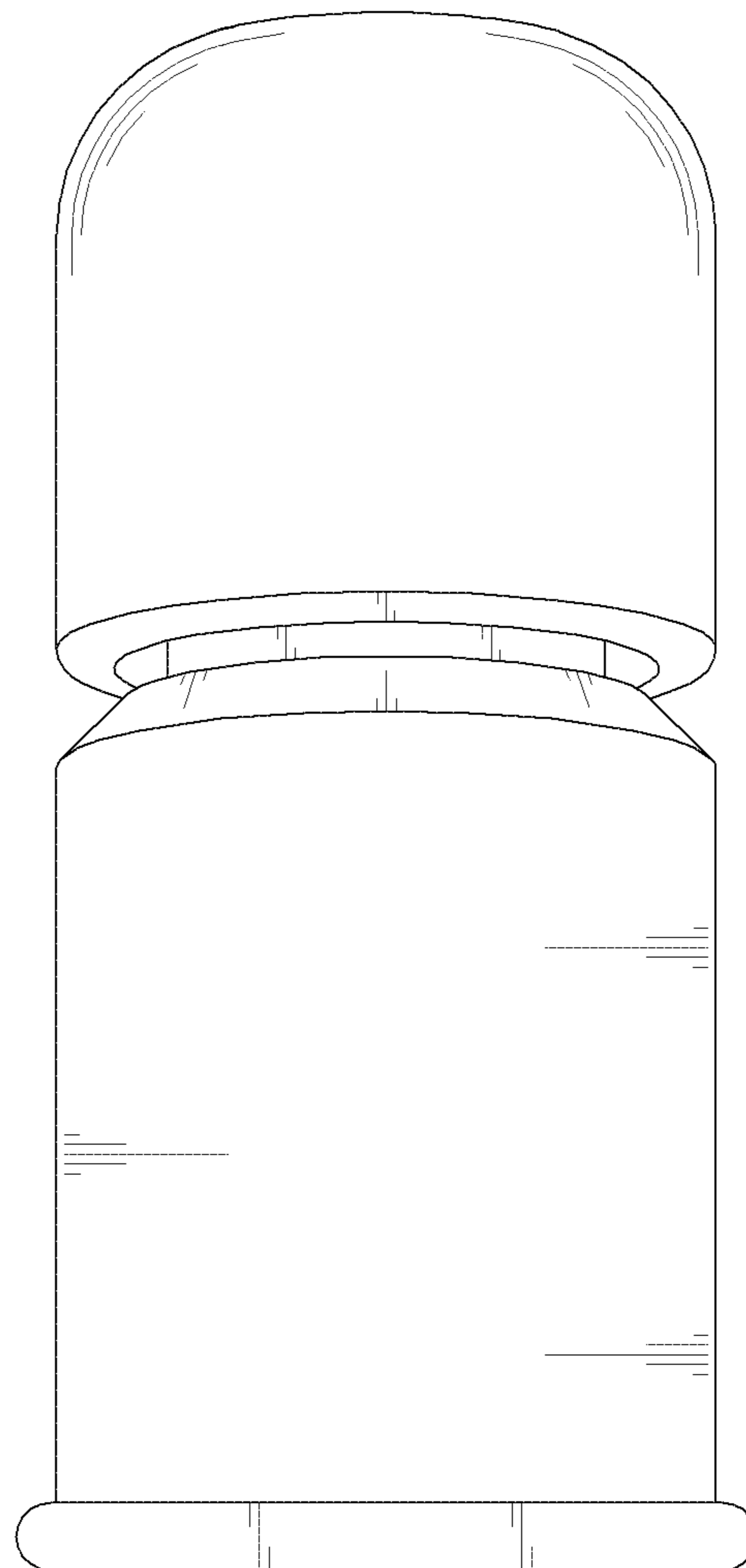


FIG. 6

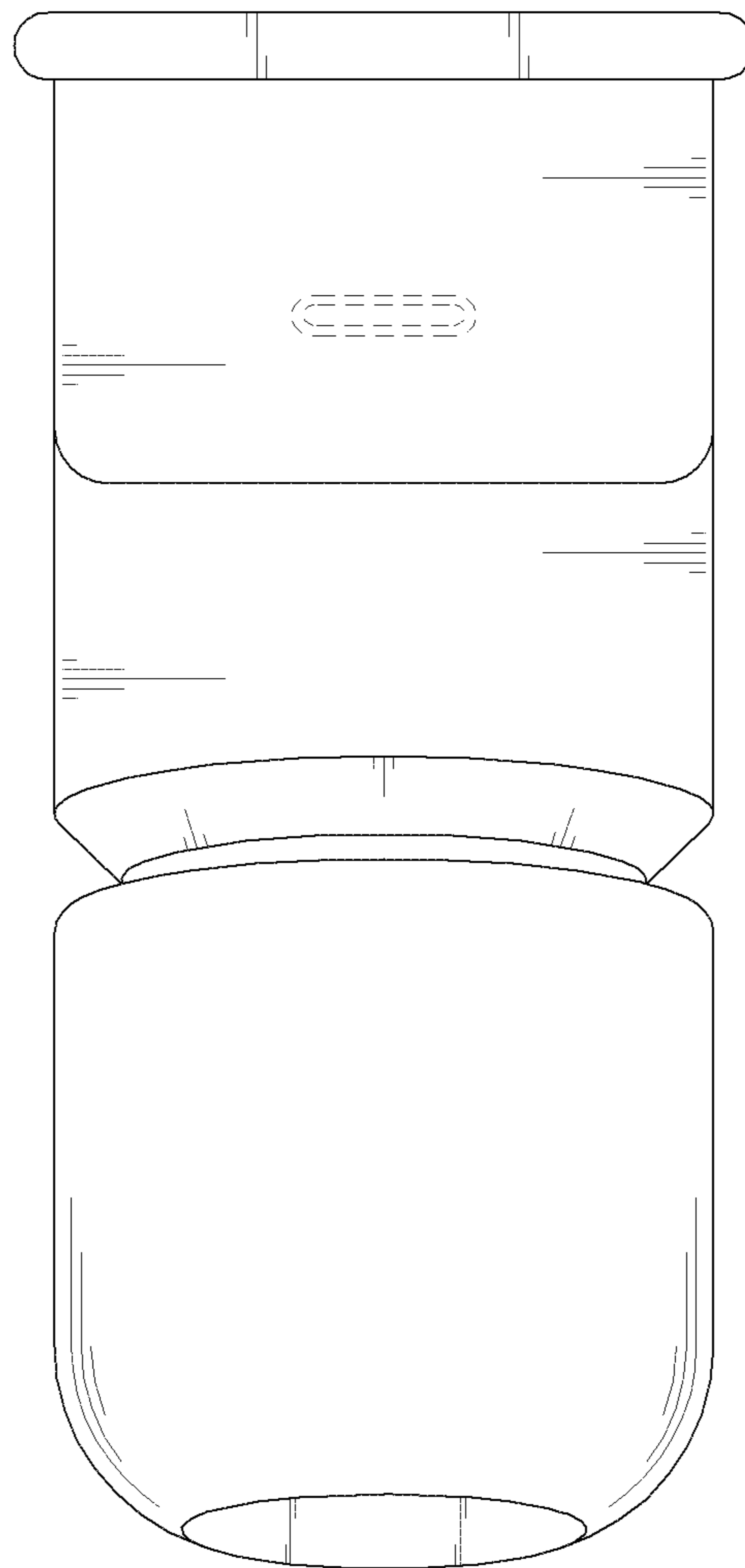


FIG. 7

