



US00D775608S

(12) **United States Design Patent** (10) **Patent No.:** **US D775,608 S**
Noro et al. (45) **Date of Patent:** **** Jan. 3, 2017**

(54) **SPEAKER DIAPHRAGM**

2499/15;H04S 3/00; H04S 7/30

See application file for complete search history.

(71) Applicant: **Yamaha Corporation**, Shizuoka (JP)

(72) Inventors: **Masao Noro**, Shizuoka (JP); **Soichi Takigawa**, Shizuoka (JP); **Kenichi Yoshinaga**, Shizuoka (JP); **Akihiko Nozaki**, Shizuoka (JP)

(73) Assignee: **Yamaha Corporation** (JP)

(**) Term: **14 Years**

(21) Appl. No.: **29/524,180**

(22) Filed: **Apr. 17, 2015**

(30) **Foreign Application Priority Data**

Oct. 17, 2014 (JP) 2014-023314
Oct. 17, 2014 (JP) 2014-023316

(51) **LOC (10) Cl.** **14-03**

(52) **U.S. Cl.**
USPC **D14/222**

(58) **Field of Classification Search**
USPC D14/167, 168, 170–172, 188, 194–196,
D14/204, 207, 209.1, 210–216, 219, 221,
D14/222, 224, 239, 496; 181/143, 144,
181/147, 148, 150, 153, 157, 198, 199;
381/300–303, 306, 332, 333, 336, 345,
381/361–364, 386–388; 369/6–12
CPC B60R 11/0217; G06F 1/1688; H04M 1/03;
H04M 1/035; H04R 1/02; H04R
1/06; H04R 1/021; H04R 1/025; H04R
1/026; H04R 1/028; H04R 1/105; H04R
1/323; H04R 1/403; H04R 1/2803; H04R
1/2834; H04R 5/02; H04R 7/20; H04R
9/06; H04R 9/025; H04R
2201/021; H04R 2400/00; H04R 2400/07;
H04R 2499/11; H04R 2499/13; H04R

(56) **References Cited**

U.S. PATENT DOCUMENTS

D76,266	S	*	9/1928	Stevens	D14/222
D76,267	S	*	9/1928	Stevens	D14/222
D77,263	S	*	12/1928	Stevens	D14/222
2,873,812	A	*	2/1959	Avedon	H04R 1/30 181/159
D389,487	S	*	1/1998	Saraiva Lino Pires	D14/221
D452,964	S	*	1/2002	Vosse	D14/204
D591,728	S	*	5/2009	Pantaleone	D14/216
D591,730	S	*	5/2009	Pantaleone	D14/216
D609,223	S	*	2/2010	Pantaleone	D14/221
D617,315	S	*	6/2010	Pantaleone	D14/216
D698,751	S	*	2/2014	Swendseid	D14/214

* cited by examiner

Primary Examiner — Keli L Hill

(74) *Attorney, Agent, or Firm* — McDonald Hopkins LLC

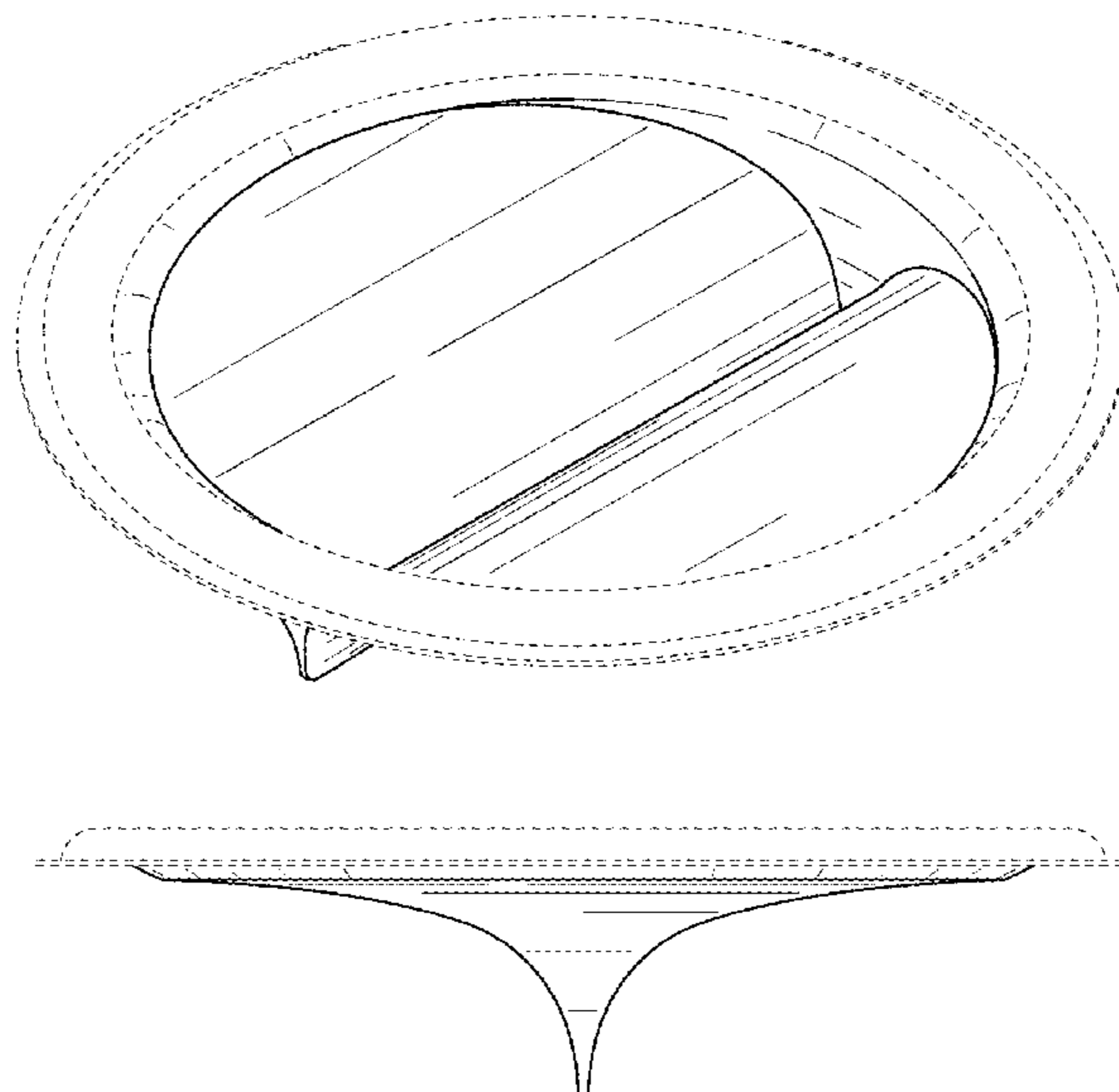
(57) **CLAIM**

A speaker diaphragm, as shown and described.

DESCRIPTION

FIG. 1 is a perspective view of a speaker diaphragm showing embodiments of our new design; FIG. 2 is a side view of FIG. 1; FIG. 3 is a front view of FIG. 1; FIG. 4 is a top view of FIG. 1; FIG. 5 is a bottom view of FIG. 1; and, FIG. 6 is a cross-sectional view taken in the direction of line 6-6 as seen in FIG. 4. The broken lines shown are included for the purpose of illustrating portions of the speaker diaphragm that form no part of the claim.

1 Claim, 3 Drawing Sheets



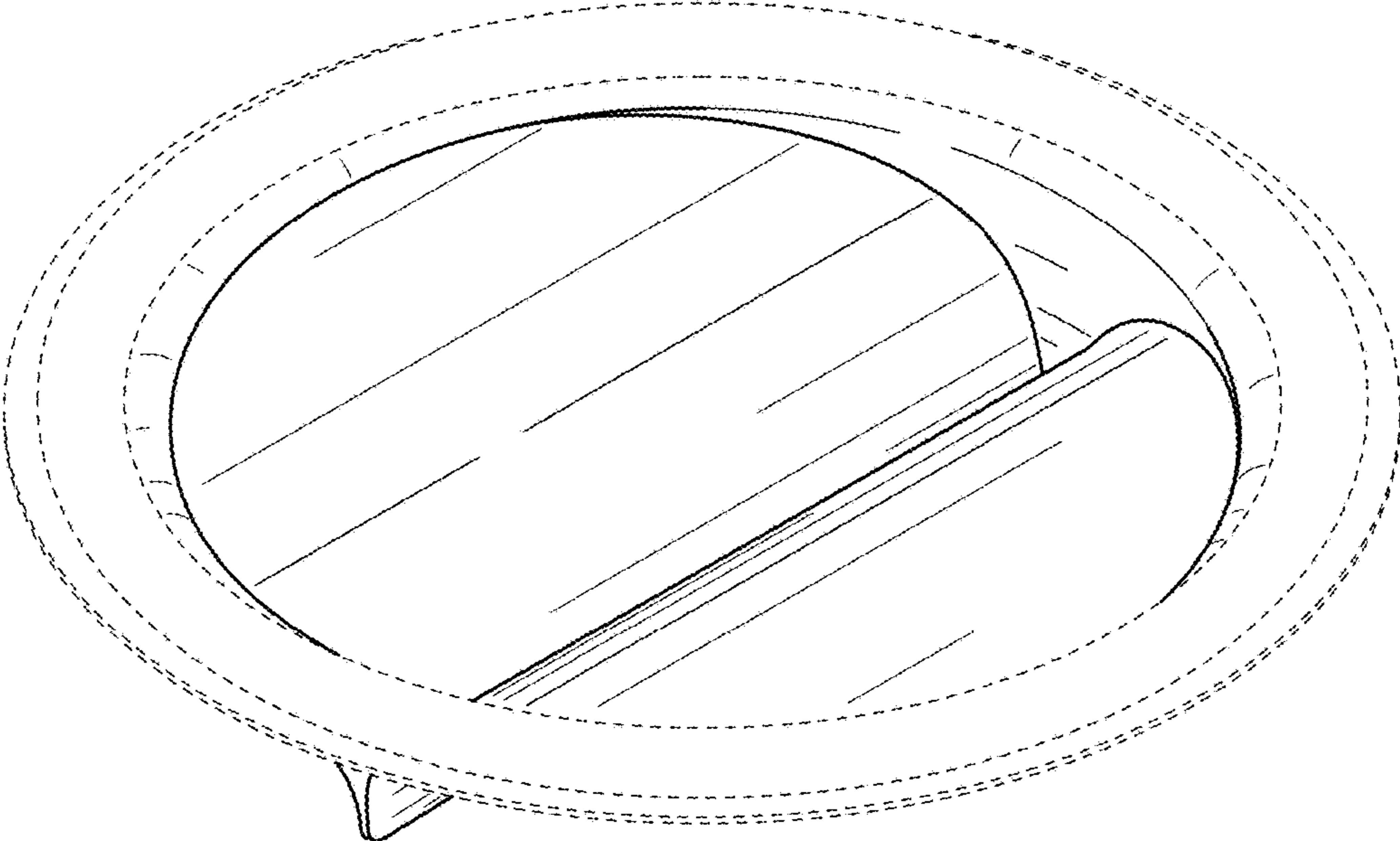


FIG. 1

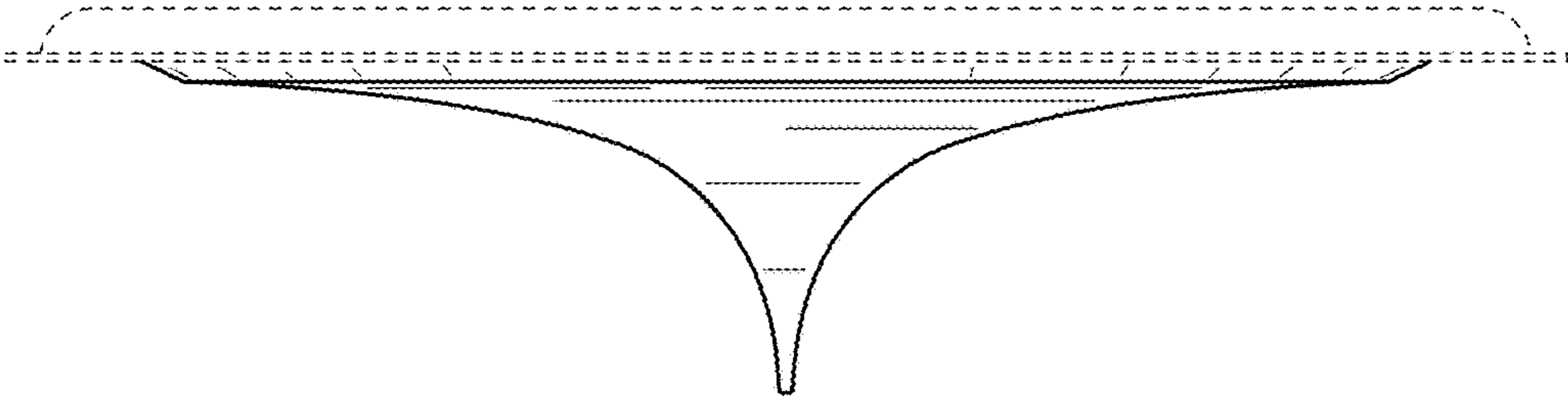


FIG. 2

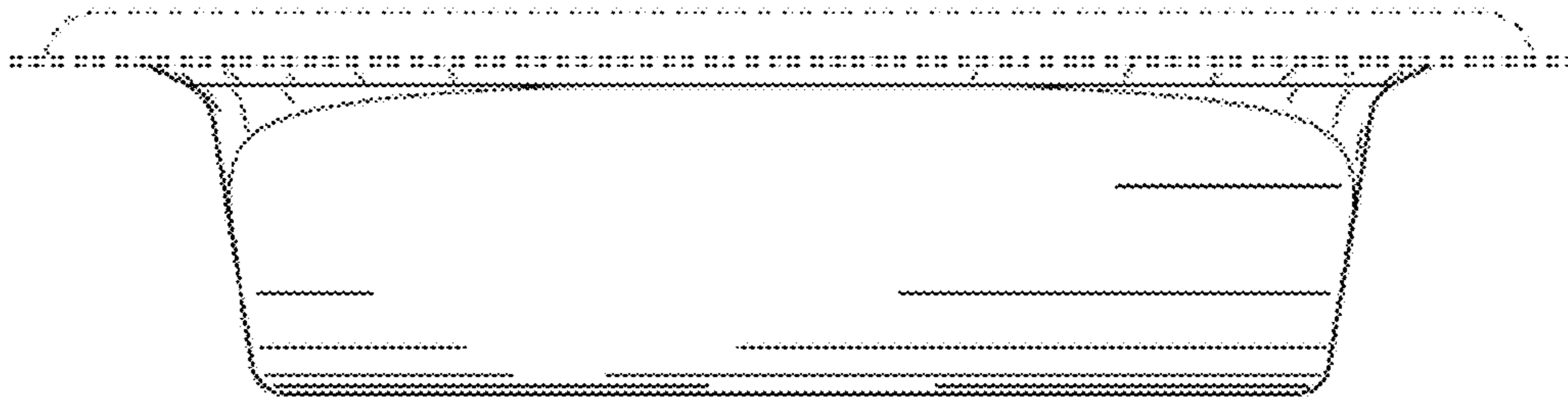


FIG. 3

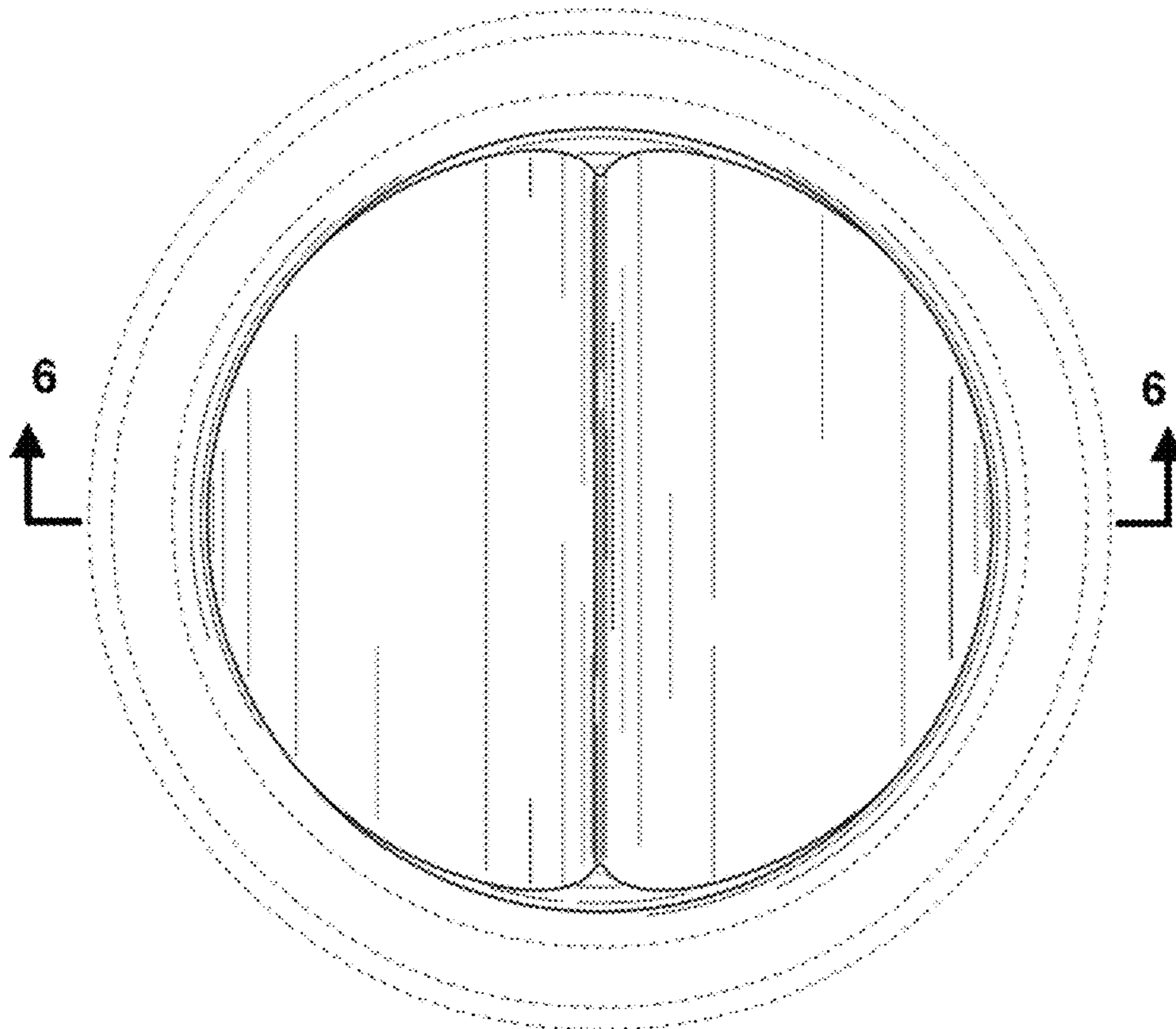


FIG. 4

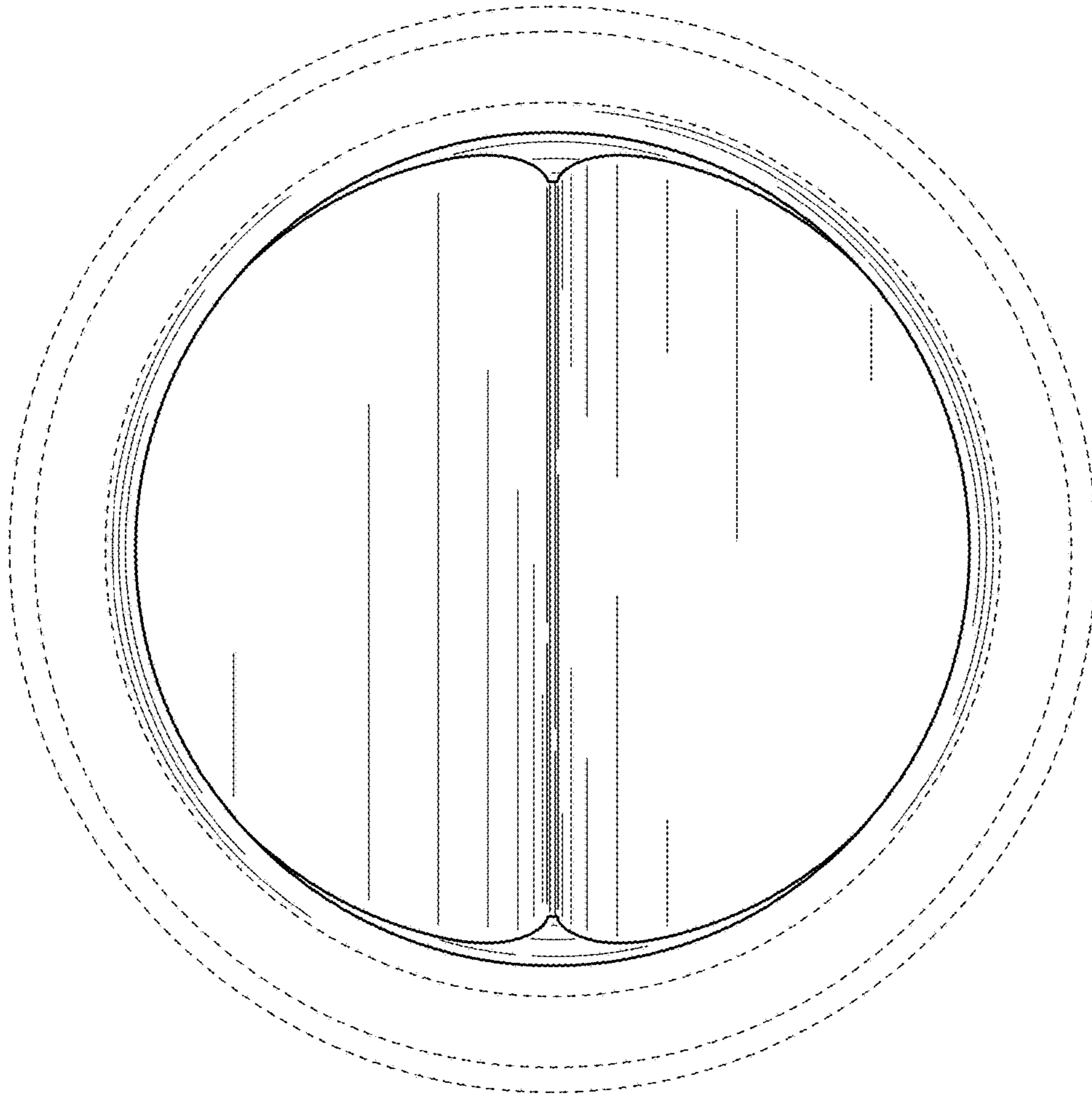


FIG. 5

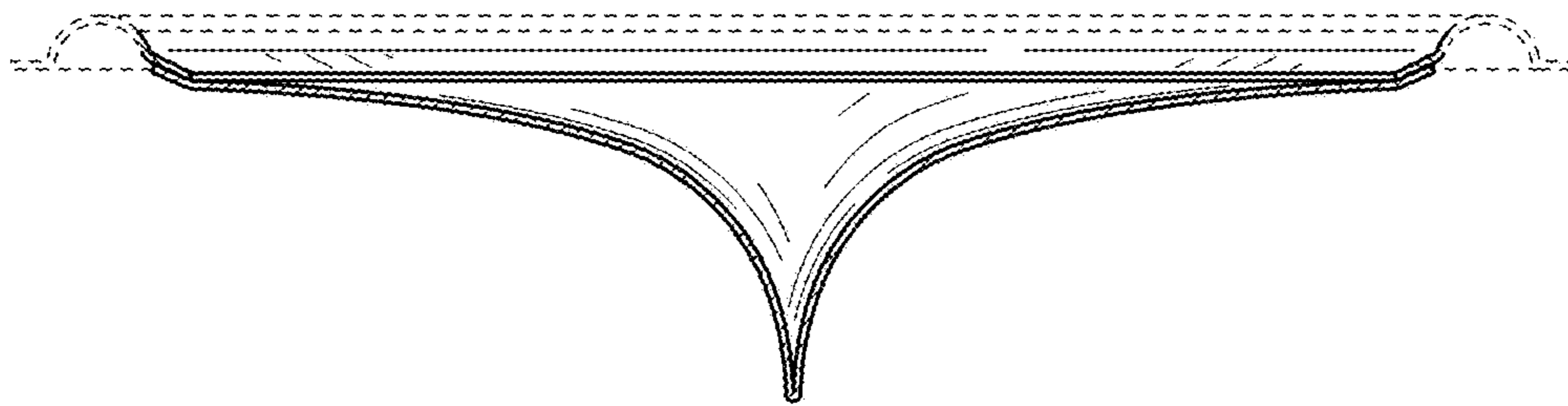


FIG. 6