



US00D775607S

(12) **United States Design Patent**
Uchiyama et al.

(10) **Patent No.:** **US D775,607 S**
(45) **Date of Patent:** **** Jan. 3, 2017**

- (54) **REMOTE CONTROLLER**
- (71) Applicant: **Panasonic Intellectual Property Management Co., Ltd., Osaka (JP)**
- (72) Inventors: **Katsuyoshi Uchiyama, Osaka (JP); Takashi Inoue, Nara (JP); Kenji Miyata, Osaka (JP)**
- (73) Assignee: **Panasonic Intellectual Property Management Co., Ltd., Osaka (JP)**
- (**) Term: **14 Years**
- (21) Appl. No.: **29/522,993**
- (22) Filed: **Apr. 6, 2015**

Related U.S. Application Data

- (62) Division of application No. 29/475,646, filed on Dec. 5, 2013, now Pat. No. Des. 729,774.
- (51) **LOC (10) Cl.** **14-03**
- (52) **U.S. Cl.**
USPC **D14/218**
- (58) **Field of Classification Search**
USPC D14/218; D13/168
CPC A61L 2/10; G06F 3/033; G09G 5/08;
G08C 19/12; G08C 17/02; G08G 5/08
See application file for complete search history.

(56) **References Cited**

U.S. PATENT DOCUMENTS

D398,310 S *	9/1998	Barhold	D14/218
D520,991 S	5/2006	Ma et al.	D14/240
D531,136 S *	10/2006	Schoenert	D13/168
D533,514 S *	12/2006	Hidalgo	D13/168
D546,807 S *	7/2007	Lee	D14/138 AA
D559,847 S *	1/2008	Ashida	D14/400
D568,827 S *	5/2008	Ikeda	D13/168
D573,981 S	7/2008	Hoehn et al.	D14/218
D575,285 S *	8/2008	Ashida	D14/400

D611,433 S *	3/2010	Tang	D13/168
D618,681 S	6/2010	Richter et al.	D14/358
D626,942 S	11/2010	Aquillano et al.	D14/218
D629,764 S *	12/2010	de Swarte	D13/168
D631,853 S *	2/2011	Choi	D13/168
D636,353 S *	4/2011	Choi	D13/168

(Continued)

FOREIGN PATENT DOCUMENTS

JP D1507433 * 9/2014

OTHER PUBLICATIONS

Satechi, Smart Trigger A, reviews 2013, http://www.satechi.net/...1ds-1d-x-1d-c-eos-1d-mark-ii-iii-iv-eos-1ds-mark-ii-iii-eos-10d-20d-30d-40d-50d-5#product_tabs_customer-reviews, [site visited Aug. 25, 2016 9:57:33 PM].*

(Continued)

Primary Examiner — John Windmuller
Assistant Examiner — John R Yeh

(74) *Attorney, Agent, or Firm* — Panasonic IP Management; Kerry S. Culpepper

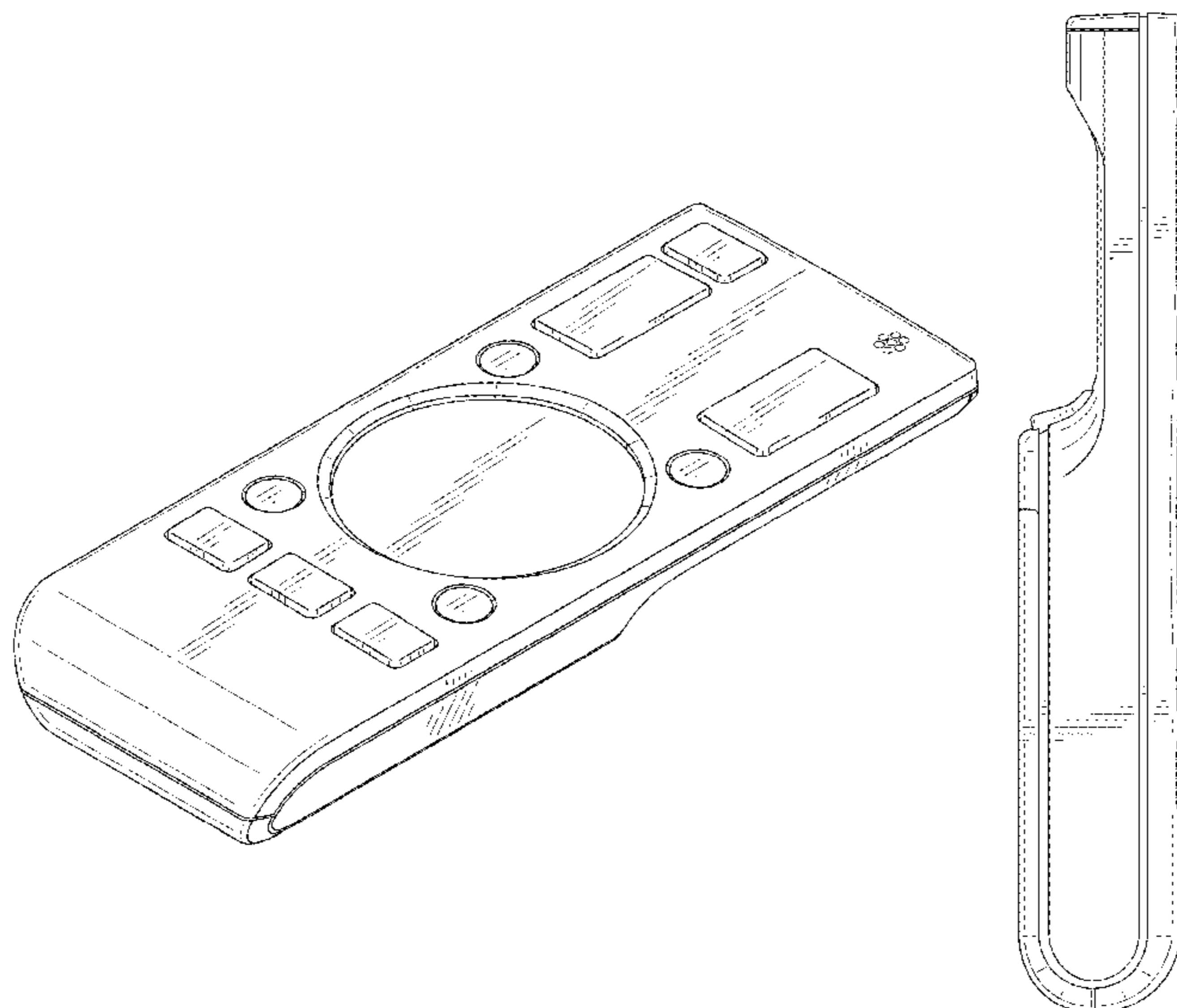
(57) **CLAIM**

We claim the ornamental design for a remote controller, as shown and described.

DESCRIPTION

FIG. 1 is a front perspective view of a remote controller of the present invention;
FIG. 2 is a rear perspective view thereof;
FIG. 3 is a front view thereof;
FIG. 4 is a rear view thereof;
FIG. 5 is a first side view thereof;
FIG. 6 is a second side view thereof;
FIG. 7 is a top view thereof; and,
FIG. 8 is a bottom view thereof.

1 Claim, 8 Drawing Sheets



(56)

References Cited

U.S. PATENT DOCUMENTS

D641,717 S * 7/2011 Nan D13/168
 D645,848 S * 9/2011 Arnholt D14/218
 D668,243 S 10/2012 Aquillano D14/218
 D681,608 S * 5/2013 Takami D14/218
 D687,414 S 8/2013 Vuillet D14/218
 D701,496 S 3/2014 Namminga D13/168
 D722,046 S 2/2015 Kuh D14/218
 D722,306 S 2/2015 Jang D14/218
 D729,774 S * 5/2015 Uchiyama D14/218
 D730,875 S * 6/2015 McManigal D14/218
 D733,100 S * 6/2015 Kim D14/218
 D750,047 S * 2/2016 Chang D14/218
 D756,969 S * 5/2016 Kim D14/218
 2006/0227033 A1 * 10/2006 Shibamiya G06F 3/0236
 341/176
 2008/0309615 A1 * 12/2008 Sato A63F 13/10
 345/156

2010/0124942 A1* 5/2010 Liao H04B 1/3805
 455/558
 2016/0078753 A1* 3/2016 Hatambeiki G06F 3/0346
 340/12.52
 2016/0118173 A1* 4/2016 Huang H01F 7/0252
 335/219

OTHER PUBLICATIONS

Remote Control for Panasonic Air Conditioner model E-ionizer, Amazon website copyright 2016, site visited Aug. 25, 2016, https://www.amazon.com/...ote-Control-PANASONIC-CONDITIONER-E-ionizer/dp/B01JAFJLLO/ref=sr_1_50?ie=UTF8&qid=1472175528&sr=8-50
 &keywords=panasonic+remote+control.*
 Panasonic projector review, Nov. 2006, http://hometheaterhifi.com/volume_13_4/panasonic-pt-ax100u-projector-11-2006-part-1.html, [site visited Aug. 25, 2016 9:53:05 PM].*

* cited by examiner

FIG. 1

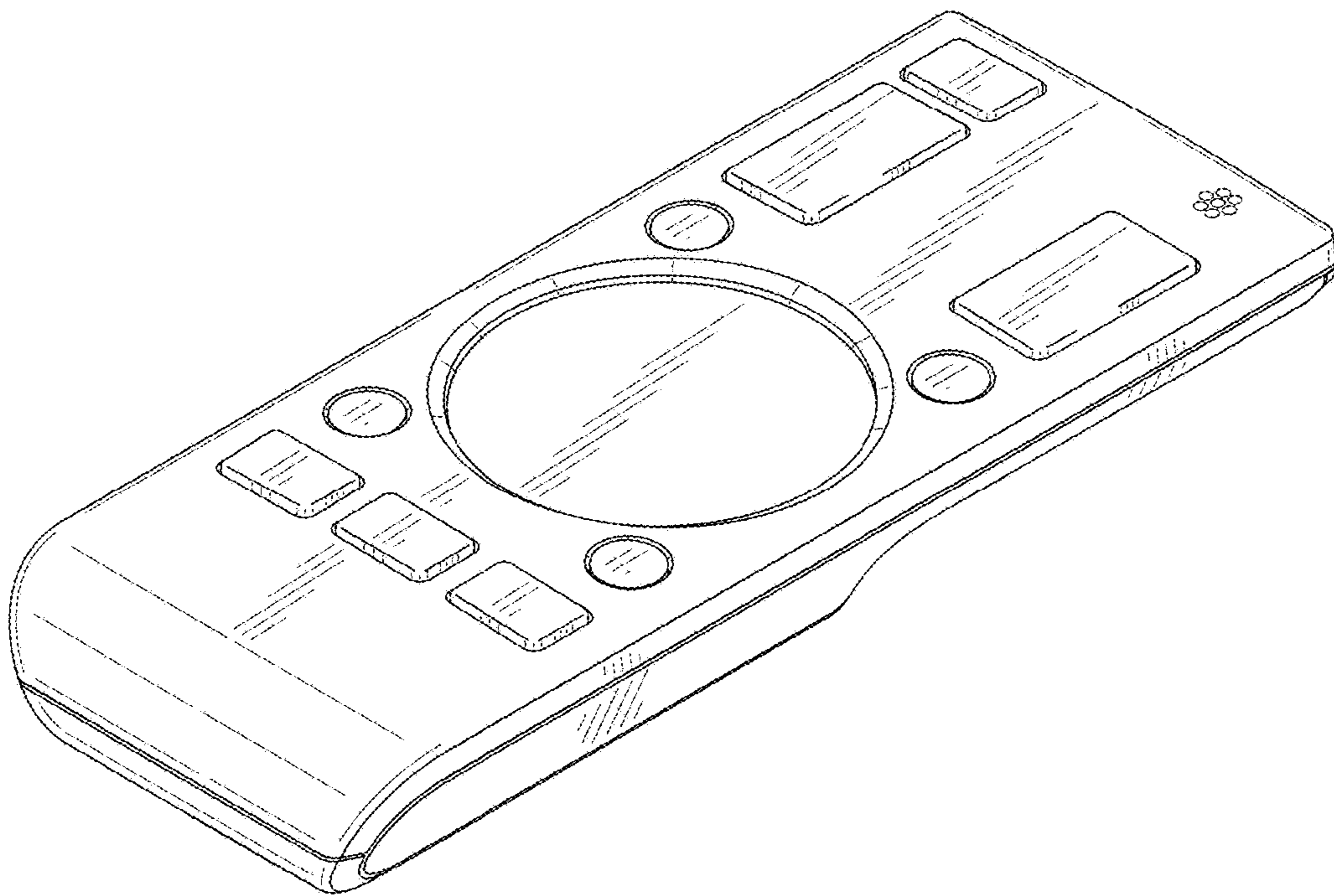


FIG. 2

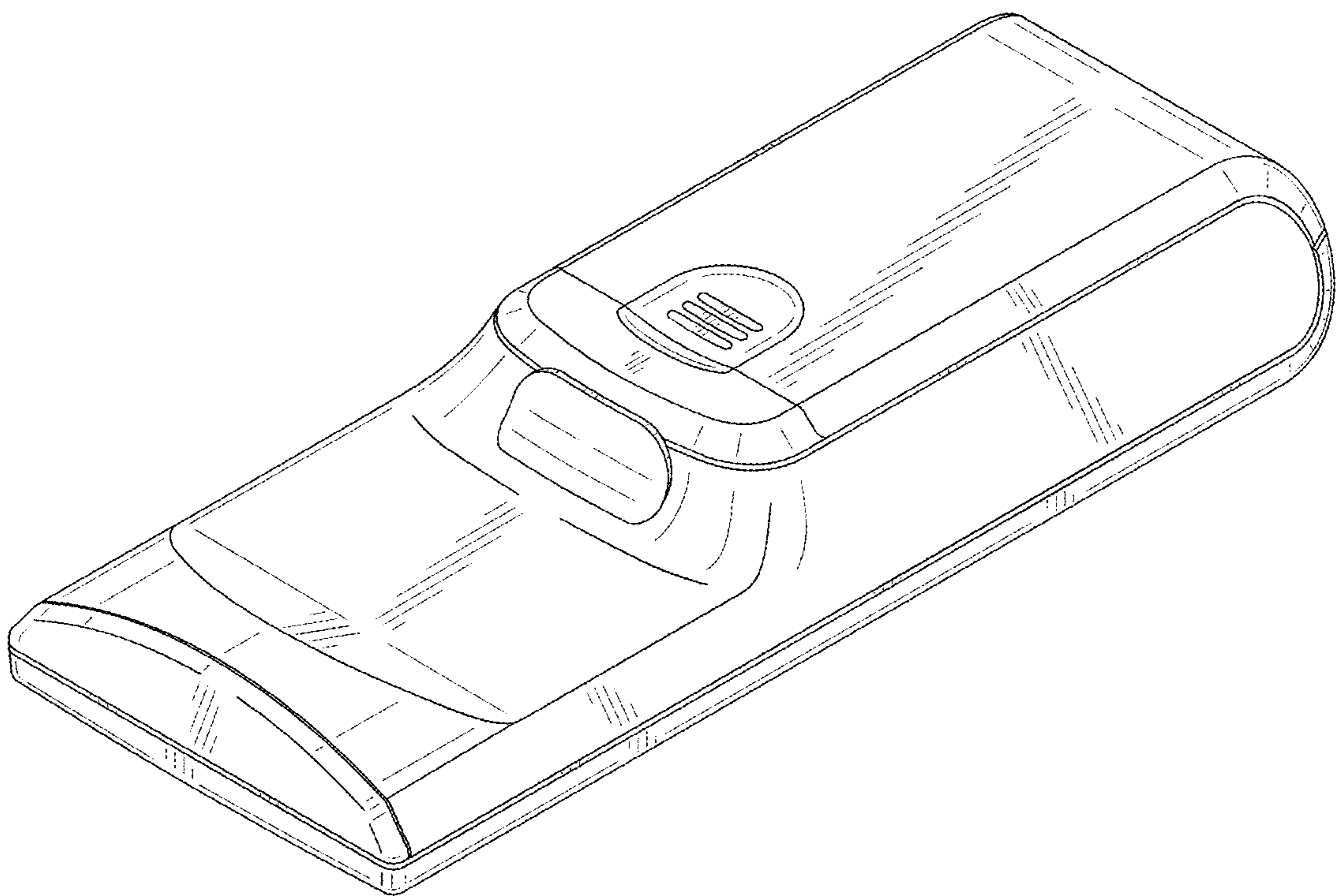


FIG. 3

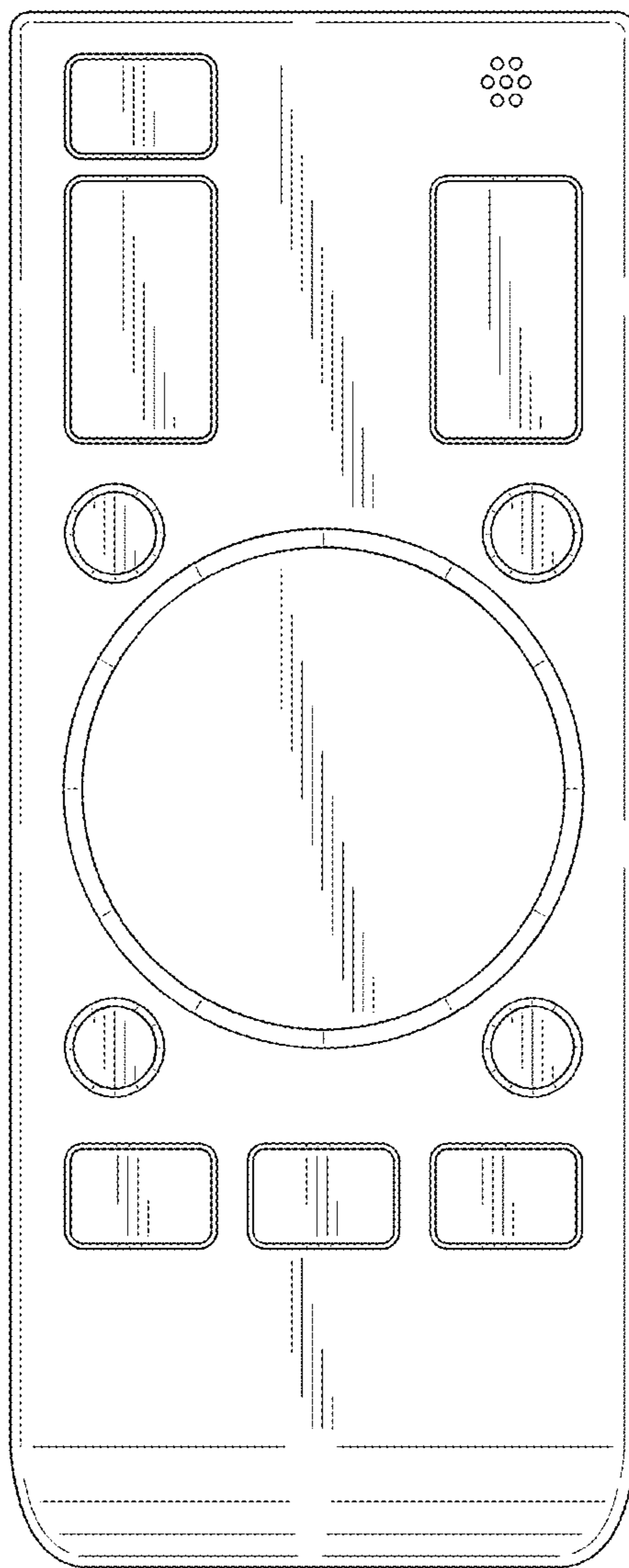


FIG. 4

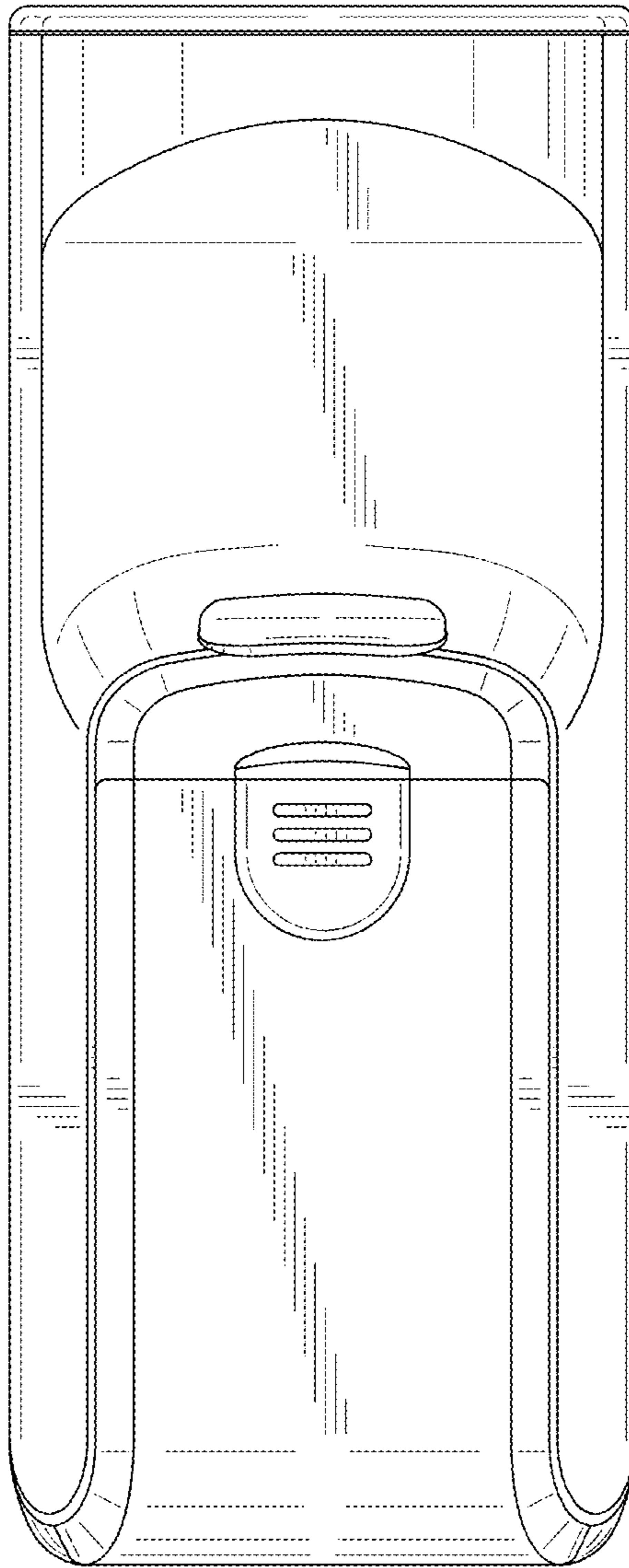


FIG. 5

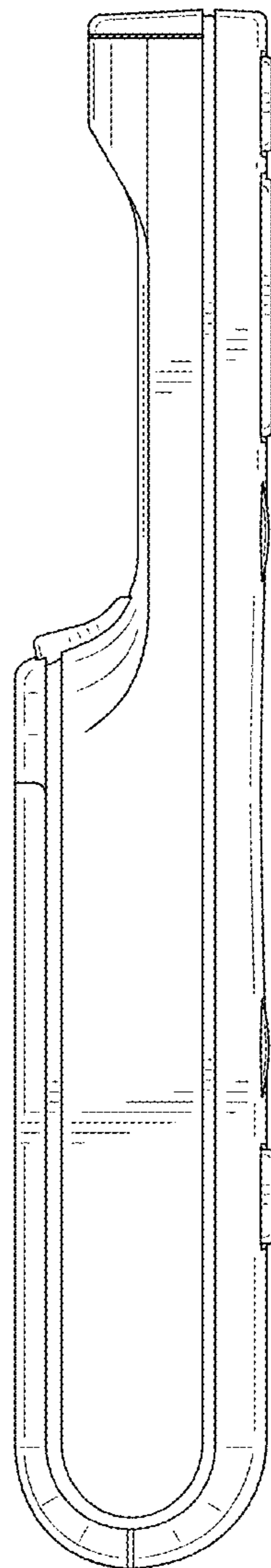


FIG. 6

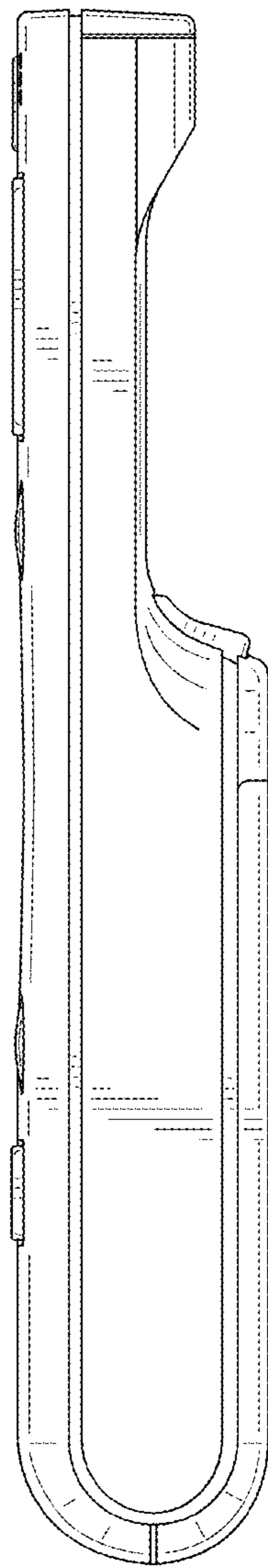


FIG. 7

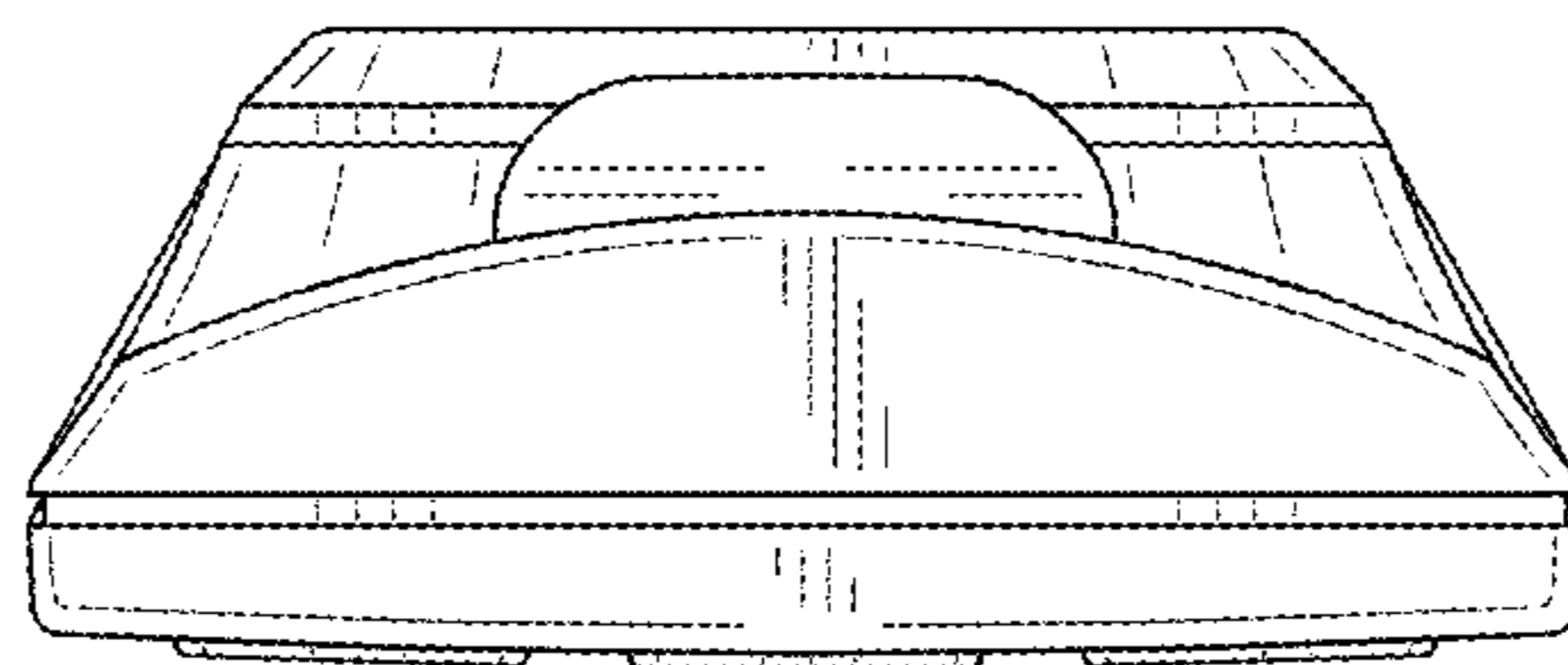


FIG. 8

