



US00D775605S

(12) **United States Design Patent**
Lee et al.

(10) **Patent No.:** **US D775,605 S**
(45) **Date of Patent:** **** Jan. 3, 2017**

(54) **HEADPHONE**

(71) Applicant: **CRESYN CO., LTD.**, Seoul (KR)

(72) Inventors: **Jong-Bae Lee**, Seoul (KR); **Sang Ho Jin**, Gwangmyeong-si (KR)

(73) Assignee: **CRESYN CO., LTD.**, Seoul (KR)

(**) Term: **15 Years**

(21) Appl. No.: **29/547,164**

(22) Filed: **Dec. 1, 2015**

(30) **Foreign Application Priority Data**

Nov. 5, 2015 (KR) 30-2015-0055893

(51) **LOC (10) Cl.** **14-01**

(52) **U.S. Cl.**
USPC **D14/205**

(58) **Field of Classification Search**
USPC D14/205; D29/112; 2/209; 181/129, 130, 181/135; 379/430, 431; 381/380, 381, 381/383, 384, 74; 455/90.3, 575.1
CPC H04R 1/1066; H04R 1/1016; H04R 25/00; H04R 1/10; H04R 5/033; H04R 5/0335
See application file for complete search history.

(56) **References Cited**

U.S. PATENT DOCUMENTS

- D351,172 S * 10/1994 Nakamura D14/205
- 6,993,143 B2 * 1/2006 Harris H04R 5/0335
381/374
- 7,072,483 B2 * 7/2006 Lenhard-Backhaus H04R 1/1066
381/370
- D552,077 S * 10/2007 Brunner D14/205
- D625,705 S * 10/2010 Ohori D14/205
- D632,668 S * 2/2011 Brunner D14/205
- D657,344 S * 4/2012 Brunner D14/205
- D660,823 S * 5/2012 Hardi D14/205

- D660,824 S * 5/2012 Hardi D14/205
- D663,716 S * 7/2012 Hardi D14/205
- D664,118 S * 7/2012 Tappeiner D14/205
- D673,136 S * 12/2012 Kelly D14/205
- D675,595 S * 2/2013 Cho D14/205
- D678,860 S * 3/2013 Hagelin D14/205
- D683,329 S * 5/2013 Hagelin D14/205
- D696,228 S * 12/2013 Miyake D14/205
- D699,702 S * 2/2014 Chen D14/205
- 8,767,996 B1 * 7/2014 Lin H04R 1/1091
381/370
- D719,136 S * 12/2014 Schaal D14/205
- D722,996 S * 2/2015 Doty D14/205
- D727,286 S * 4/2015 Galler D14/205
- D731,457 S * 6/2015 Brunner D14/205
- D732,000 S * 6/2015 Brunner D14/205
- D738,350 S * 9/2015 Brunner D14/205
- D738,850 S * 9/2015 Chung D14/205
- D739,378 S * 9/2015 Chung D14/205

(Continued)

Primary Examiner — Paula Greene

(74) *Attorney, Agent, or Firm* — Jefferson IP Law, LLP

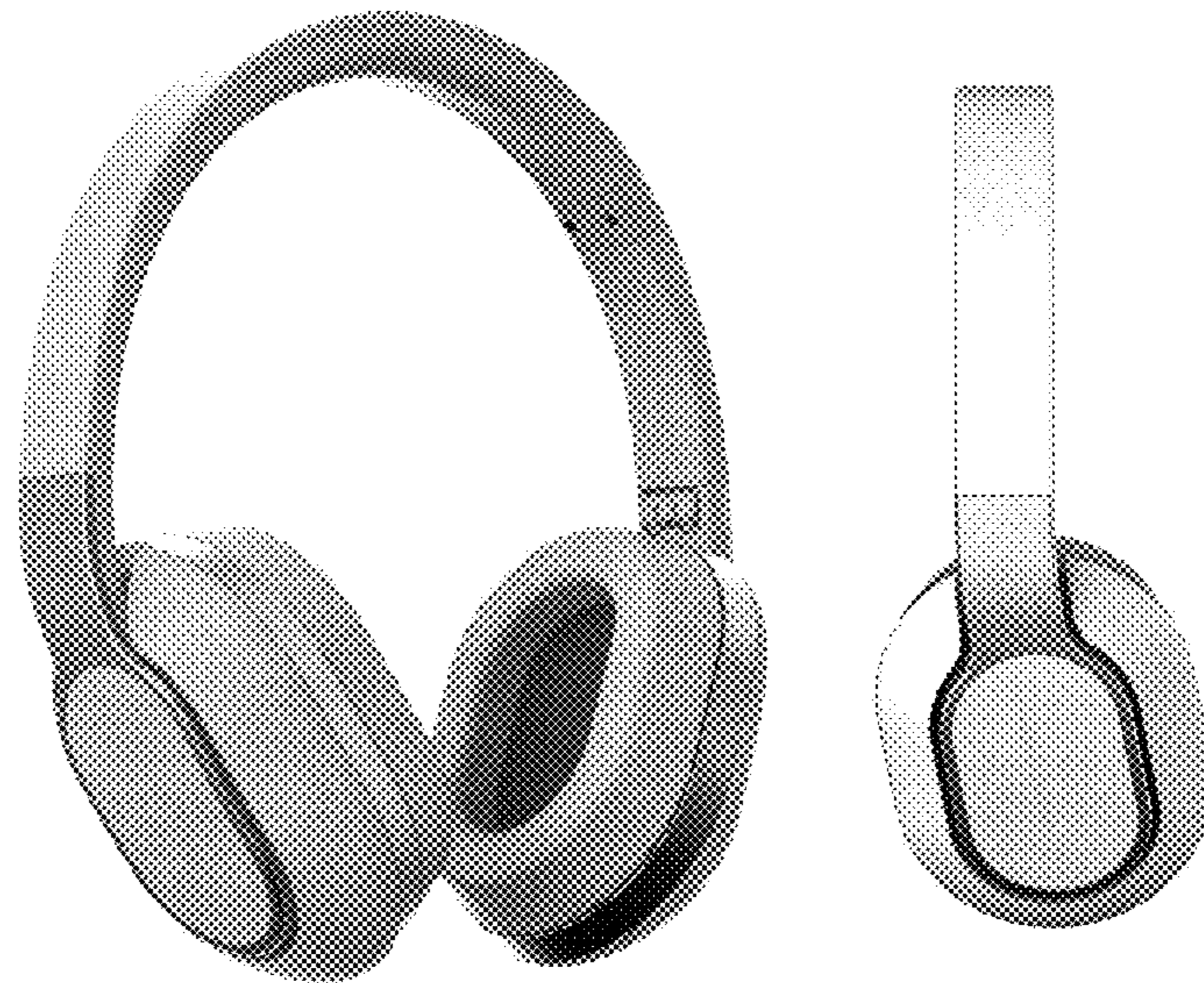
(57) **CLAIM**

The ornamental design for headphone, as shown and described.

DESCRIPTION

FIG. 1 is a perspective view of headphone, showing a new design;
 FIG. 2 is a front elevational view thereof;
 FIG. 3 is a rear elevational view thereof;
 FIG. 4 is a left side elevational view thereof, which is a mirror image of a right side elevational view;
 FIG. 5 is a top plan view thereof; and,
 FIG. 6 is a bottom plan view thereof.
 Any surface ornamentation, logos, or written matter shown in FIGS. 1-6 are included for the purpose of illustrating environmental elements only and form no part of the claimed design.

1 Claim, 6 Drawing Sheets



(56)

References Cited

U.S. PATENT DOCUMENTS

D769,842 S * 10/2016 Rouffiat D14/205
2013/0343591 A1* 12/2013 Brunner H04R 1/1066
381/371
2016/0192049 A1* 6/2016 Kelly H04R 1/06
381/384

* cited by examiner

FIG. 1



FIG. 2



FIG. 3



FIG. 4

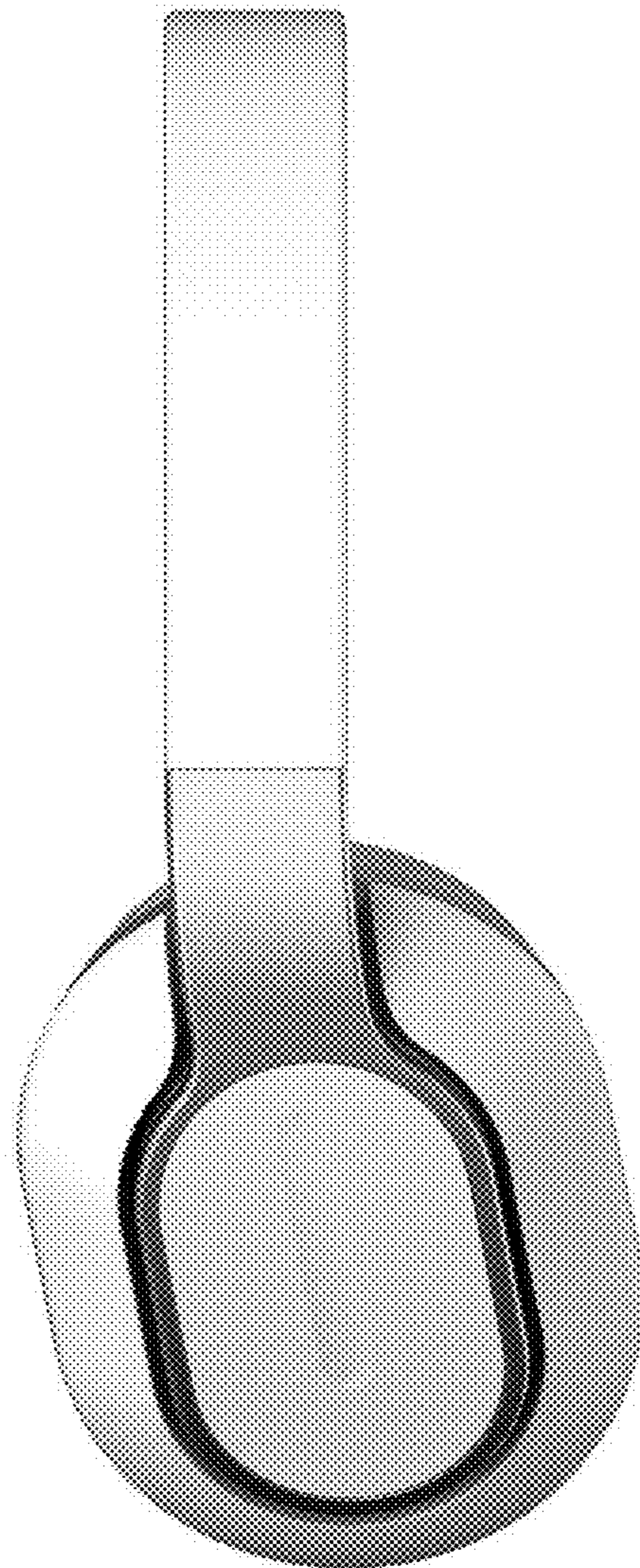


FIG. 5

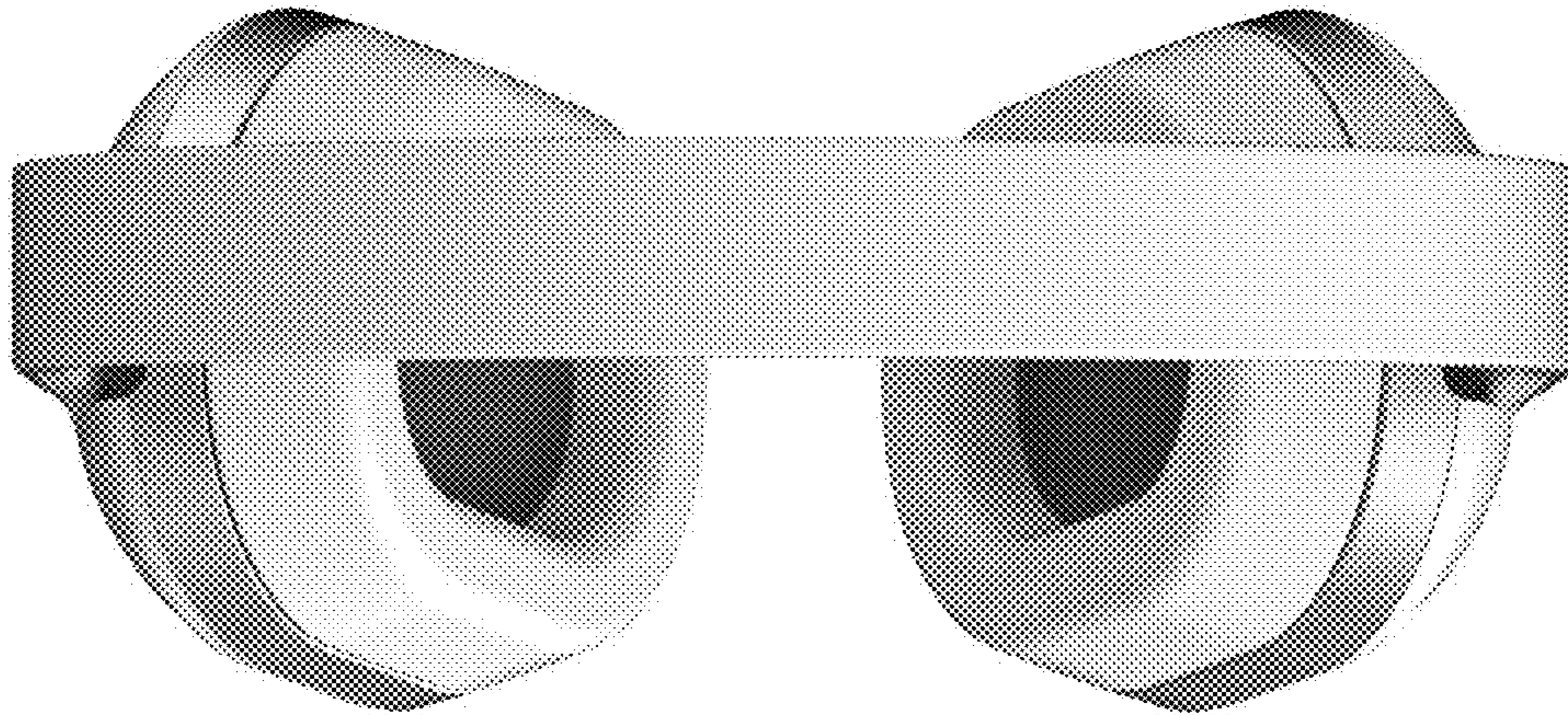


FIG. 6

