



US00D775604S

(12) **United States Design Patent**
Kimura

(10) **Patent No.:** **US D775,604 S**

(45) **Date of Patent:** **** Jan. 3, 2017**

(54) **DIGITAL VIDEO DISC PLAYER FOR
AUTOMOBILE**

(71) Applicant: **JVC KENWOOD Corporation,**
Yokohama-shi, Kanagawa (JP)

(72) Inventor: **Hideyuki Kimura,** Yokohama (JP)

(73) Assignee: **JVC KENWOOD CORPORATION,**
Kanagawa (JP)

(**) Term: **15 Years**

(21) Appl. No.: **29/539,904**

(22) Filed: **Sep. 18, 2015**

(30) **Foreign Application Priority Data**

Jun. 25, 2015 (JP) D2015-014060

(51) **LOC (10) Cl.** **14-03**

(52) **U.S. Cl.**
USPC **D14/203.7**

(58) **Field of Classification Search**

USPC D14/496, 401, 435, 474, 483, 217, 137,
D14/138, 160, 168, 356, 203.1–203.8,
D14/507; 345/156, 169, 173–179, 905;
715/727–729, 715/864; 710/1, 5, 8; 713/1,
713/600; 455/1.1, 1.7, 73, 344–347, 93,
455/95, 3.01–3.06, 550.1, 573.1;
370/342–344; 369/1, 2, 6–12; 463/43–47;
273/148 B

CPC H04J 11/00; H04J 13/00; H04J 14/00
See application file for complete search history.

(56) **References Cited**

U.S. PATENT DOCUMENTS

5,689,077 A * 11/1997 Jasinski G09B 15/002
84/477 R

6,178,087 B1 * 1/2001 Cho G06F 1/1626
312/223.1
D565,559 S * 4/2008 Aihara D14/258
8,408,466 B2 * 4/2013 Gratton G06Q 30/0207
235/462.1
8,553,146 B2 * 10/2013 Kennedy G06T 1/0085
235/462.05
8,786,410 B2 * 7/2014 Beals H04N 21/42225
340/12.1
D713,400 S * 9/2014 Kanou D14/258
D724,048 S * 3/2015 Tomono D14/131
D724,049 S * 3/2015 Funayama D14/131
D741,834 S * 10/2015 Kimura D14/203.7
D745,857 S * 12/2015 Funayama D14/203.7

* cited by examiner

Primary Examiner — Prabhakar Deshmukh

(74) *Attorney, Agent, or Firm* — Cantor Colburn, LLP

(57) **CLAIM**

The ornamental design for a digital video disc player for automobile, as shown and described.

DESCRIPTION

FIG. 1 is a perspective view of a digital video disc player for automobile showing my new design;
FIG. 2 is a front elevational view thereof;
FIG. 3 is a top plan view thereof;
FIG. 4 is a bottom plan view thereof;
FIG. 5 is a right side elevational view thereof; and,
FIG. 6 is a left side elevational view thereof.
The broken lines illustrate unclaimed portions and form no part of the claimed design.

1 Claim, 6 Drawing Sheets

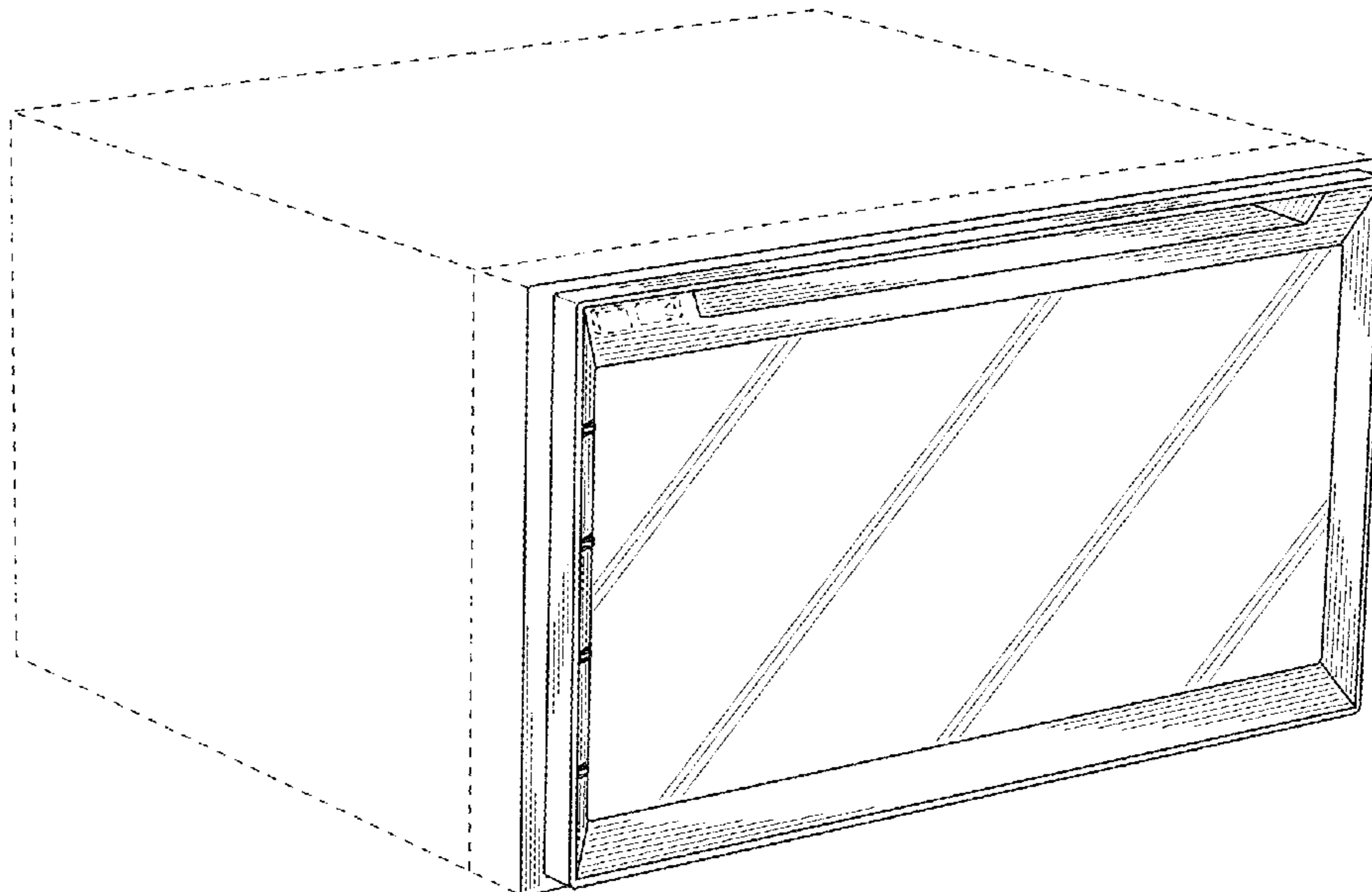


FIG. 1

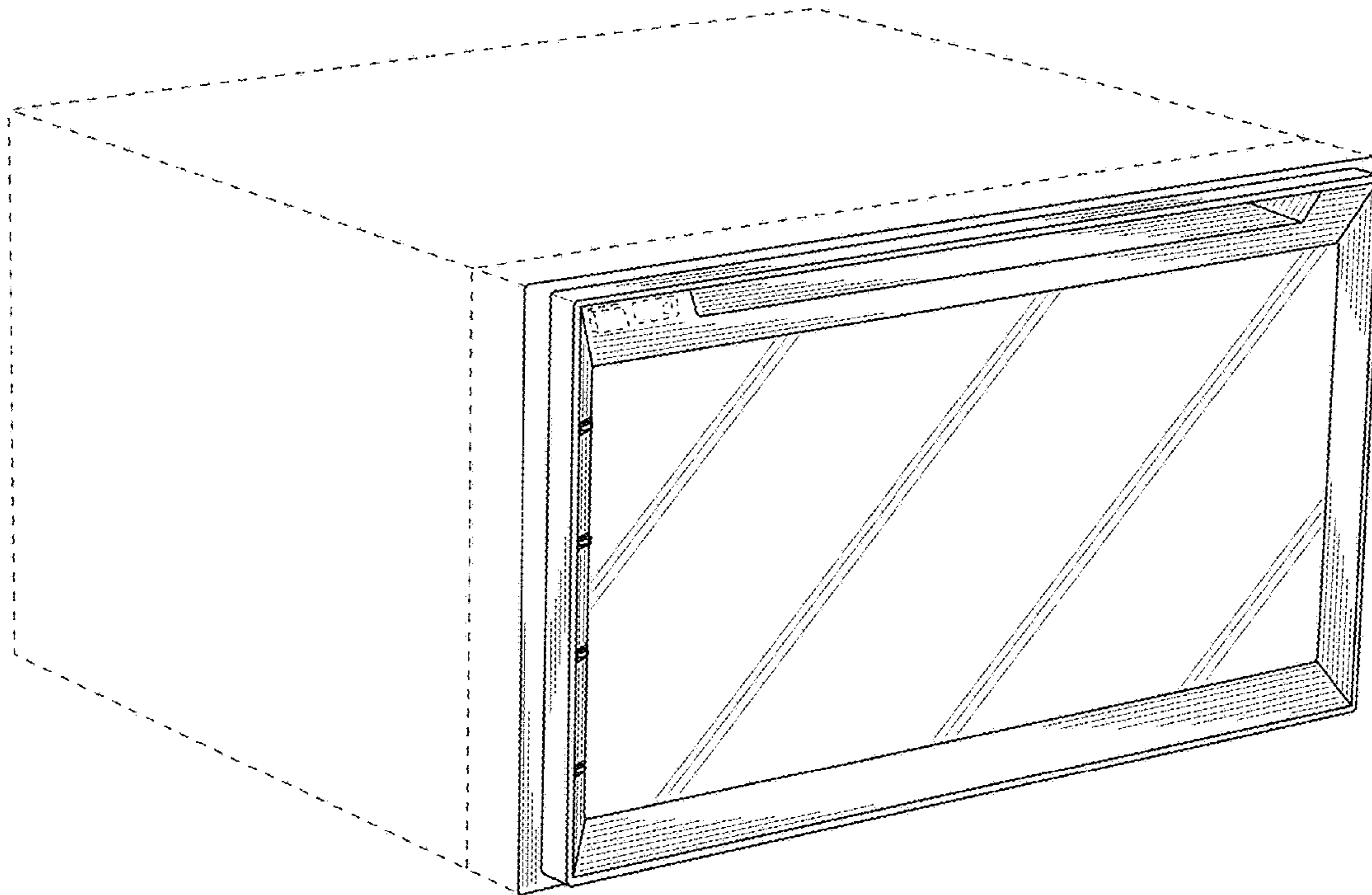


FIG. 2

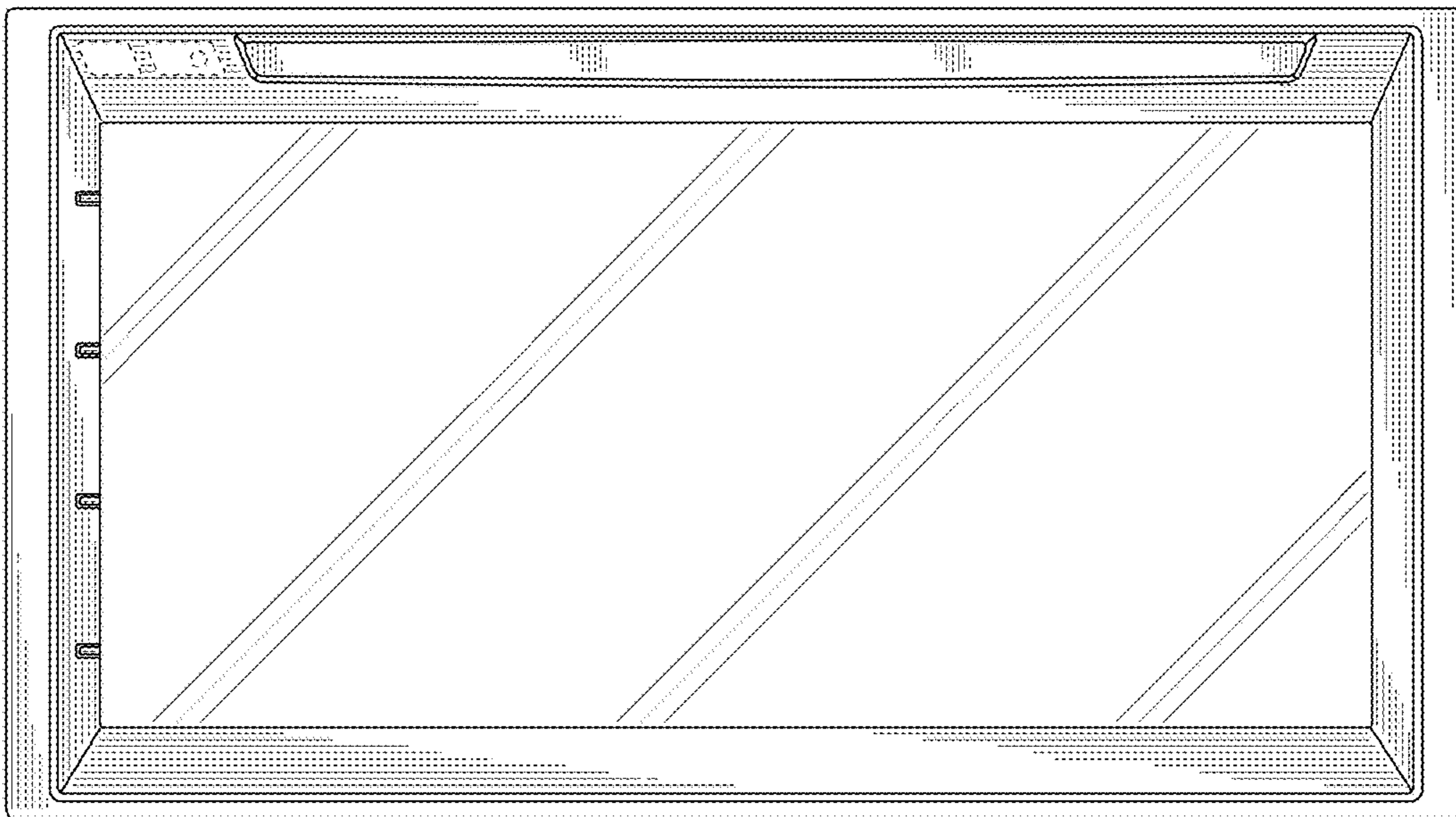


FIG. 3

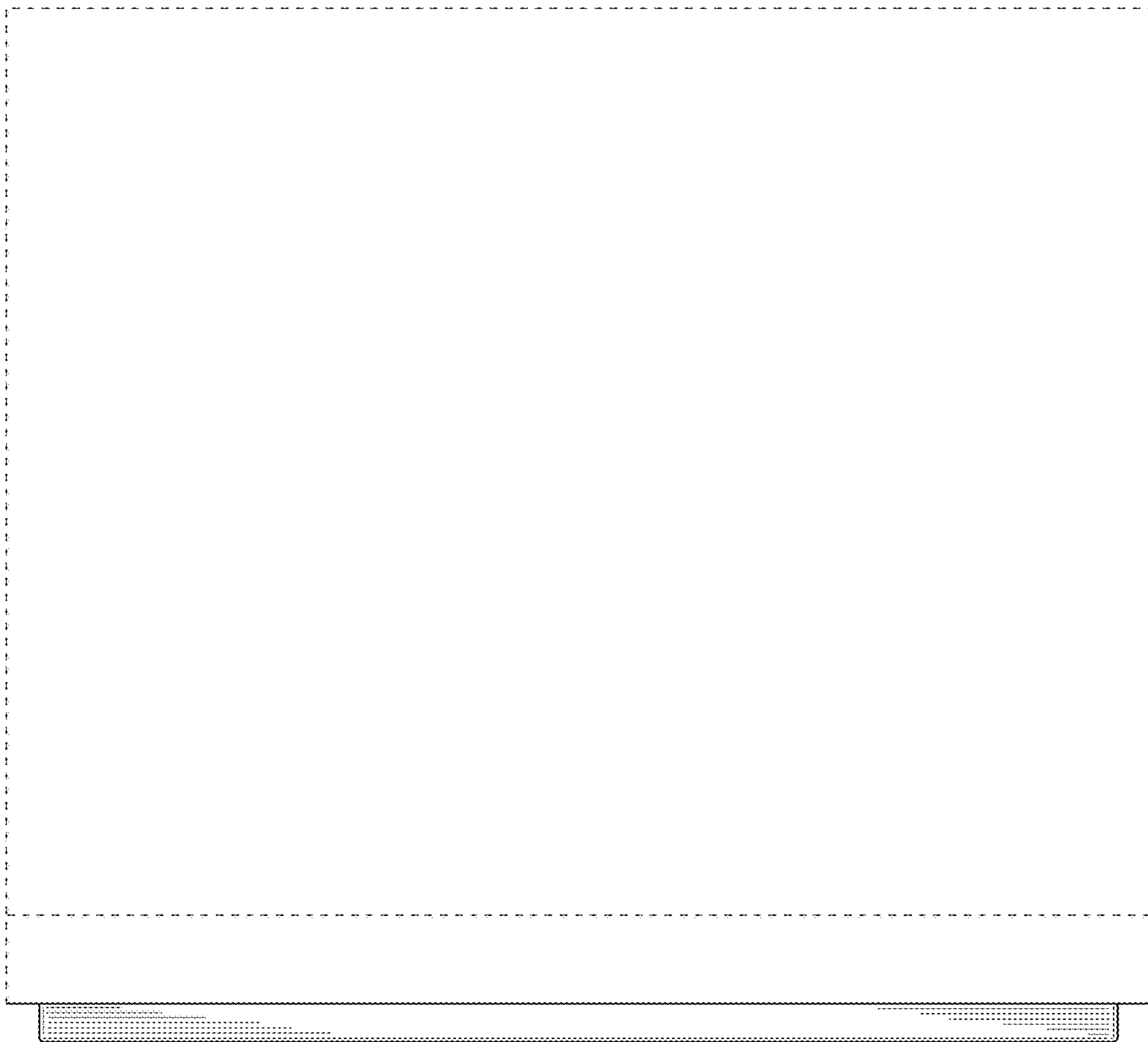


FIG. 4



FIG. 5



FIG. 6

