



US00D775603S

(12) **United States Design Patent** (10) **Patent No.:** **US D775,603 S**  
**Tooker et al.** (45) **Date of Patent:** **\*\* Jan. 3, 2017**

(54) **PORTION OF A JUKEBOX**  
(71) Applicant: **TouchTunes Music Corporation**, New York, NY (US)  
(72) Inventors: **Michael Tooker**, Pointe-Claire (CA); **Charles Garneau**, Bois-des-Filion (CA); **Ed Rivera**, New York, NY (US); **Eric Saint-Jacques**, Town of Mount Royal (CA); **Benoit Tessier**, Boisbriand (CA); **Jean Gauthier**, Sainte-Thérèse (CA)

D197,669 S 3/1964 Kenney et al.  
D219,299 S \* 11/1970 Vickery ..... D10/2  
D220,807 S 5/1971 Sunderberg  
3,878,631 A 4/1975 Mileham  
D240,266 S 6/1976 O'Neil et al.  
4,336,935 A 6/1982 Goldfarb  
D280,747 S 9/1985 Stasney  
4,643,421 A 2/1987 Meyer et al.  
D312,639 S 12/1990 Krakauer et al.  
D316,858 S 5/1991 Gobindram  
5,031,340 A 7/1991 Hilgarth  
D324,240 S 2/1992 Huang

(Continued)

(73) Assignee: **TouchTunes Music Corporation**, New York, NY (US)

(\*\*) Term: **15 Years**

(21) Appl. No.: **29/531,252**

(22) Filed: **Jun. 24, 2015**

**Related U.S. Application Data**

(63) Continuation of application No. 29/477,654, filed on Dec. 24, 2013, now Pat. No. Des. 734,735.

(51) **LOC (10) Cl.** ..... **14-01**

(52) **U.S. Cl.**  
USPC ..... **D14/172; D21/325**

(58) **Field of Classification Search**  
USPC ..... D14/172, 173, 203.1-203.7, 496, 188, D14/265; D21/324, 325, 369; 273/148 B; 463/1, 463/28-35, 46, 47; 369/1, 6-12, 24.01, 30.06, 369/30.07, 30.08, 30.23; 710/1; 711/100, 111  
CPC ..... A63F 9/24; A63F 13/00; G06F 17/00; G06F 19/00  
See application file for complete search history.

(56) **References Cited**

**U.S. PATENT DOCUMENTS**

D146,176 S 1/1947 Fuller  
D152,903 S 3/1949 Principe

**OTHER PUBLICATIONS**

Design U.S. Appl. No. 29/433,240, filed Sep. 27, 2012, Garneau et al.

(Continued)

*Primary Examiner* — Prabhakar Deshmukh  
(74) *Attorney, Agent, or Firm* — Nixon & Vanderhye, P.C.

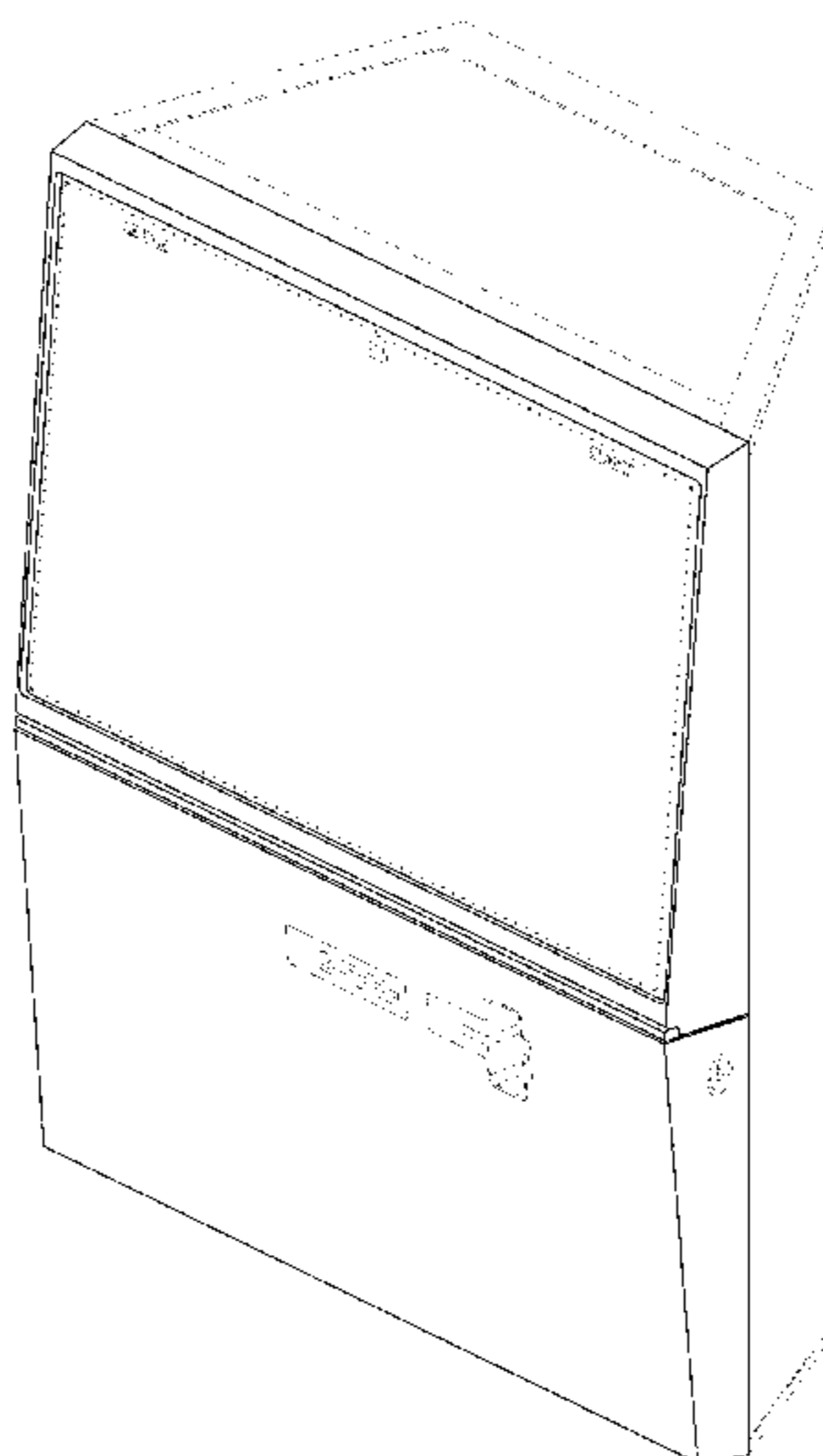
(57) **CLAIM**

The ornamental design for a portion of a jukebox, as shown and described.

**DESCRIPTION**

FIG. 1 is a front perspective view of a jukebox showing our new design;  
FIG. 2 is a front elevation view thereof;  
FIG. 3 is a rear elevation view thereof;  
FIG. 4 is a top plan view thereof;  
FIG. 5 is a bottom plan view thereof;  
FIG. 6 is a right side view thereof; and,  
FIG. 7 is a left side view thereof.  
The broken lines represent environmental structure and form no part of the claimed design. The dotted lines represent the boundary between claimed and unclaimed subject matter and form no part of the claimed design.

**1 Claim, 5 Drawing Sheets**



(56)

References Cited

U.S. PATENT DOCUMENTS

D327,687 S 7/1992 Arbiter  
 D328,202 S 7/1992 Tippit  
 D329,852 S 9/1992 Lee  
 5,146,618 A 9/1992 Wenner  
 D334,191 S 3/1993 Yun  
 D340,407 S 10/1993 Rahe et al.  
 5,281,898 A 1/1994 Albright  
 5,331,614 A 7/1994 Ogawa et al.  
 D355,676 S 2/1995 Wilson  
 D356,079 S 3/1995 Oba  
 5,630,357 A 5/1997 Akiyama  
 5,651,681 A 7/1997 Chan  
 D381,983 S 8/1997 Nagai  
 5,667,632 A 9/1997 Burton et al.  
 5,704,146 A 1/1998 Herring et al.  
 D390,843 S 2/1998 Rosen  
 5,771,778 A 6/1998 MacLean, IV  
 D397,335 S 8/1998 Matsushita  
 5,813,914 A 9/1998 McKay et al.  
 5,820,460 A 10/1998 Fulton  
 5,851,147 A 12/1998 Stupak et al.  
 D405,781 S 2/1999 Renk  
 D405,791 S 2/1999 Menke et al.  
 D408,410 S 4/1999 Zeitman  
 5,951,397 A 9/1999 Dickinson  
 D419,606 S 1/2000 Toriyama  
 6,041,023 A 3/2000 Lakhansingh  
 6,048,271 A 4/2000 Barcelou  
 D425,508 S 5/2000 Fiebel et al.  
 D426,527 S 6/2000 Sakaguchi  
 6,079,985 A 6/2000 Wohl et al.  
 D428,062 S 7/2000 Hayashi  
 6,086,380 A 7/2000 Chu et al.  
 D439,931 S 4/2001 Yamaguchi  
 D442,152 S 5/2001 Roustaei  
 D449,346 S 10/2001 Gatto et al.  
 D451,968 S 12/2001 Sano  
 6,346,951 B1 2/2002 Mastronardi  
 D458,971 S 6/2002 Stephan  
 D459,336 S 6/2002 Ito et al.  
 6,430,117 B2 8/2002 Zimmer

D463,503 S 9/2002 Stephan  
 6,461,239 B1 10/2002 Sagawa et al.  
 6,508,707 B2 1/2003 DeMar et al.  
 D475,029 S 5/2003 Nathan et al.  
 6,708,812 B2 3/2004 Greim  
 6,714,489 B2 3/2004 Kalis et al.  
 D494,188 S 8/2004 Huang  
 6,779,904 B1 8/2004 Van Dyk  
 D495,755 S 9/2004 Wurz et al.  
 D498,558 S 11/2004 Kwok  
 D499,083 S 11/2004 Tanaka  
 6,846,238 B2 1/2005 Wells  
 D510,584 S 10/2005 Tierney  
 6,976,623 B1 12/2005 Mambakkam et al.  
 5,524,287 S 7/2006 Hibi  
 7,152,739 B1 12/2006 Burleson  
 D546,893 S 7/2007 Yamashita  
 D547,299 S 7/2007 Obata  
 D560,651 S 1/2008 Berkheimer et al.  
 D590,449 S 4/2009 Ishii et al.  
 D604,774 S 11/2009 De Viveiros Ortiz  
 D605,231 S 12/2009 Hashimoto  
 D616,414 S 5/2010 Nathan et al.  
 D617,389 S 6/2010 Wildner et al.  
 D618,285 S 6/2010 Ichimura et al.  
 D619,177 S 7/2010 Lee  
 D619,659 S 7/2010 Damani  
 D629,382 S 12/2010 Nathan et al.  
 D642,553 S 8/2011 Nathan et al.  
 D654,470 S 2/2012 Nathan et al.  
 D662,487 S 6/2012 Nathan et al.  
 D665,375 S 8/2012 Garneau et al.  
 D670,675 S 11/2012 Garneau et al.  
 D686,591 S 7/2013 Garneau et al.  
 D689,461 S 9/2013 Garneau et al.  
 D704,160 S 5/2014 Garneau  
 D722,039 S 2/2015 Garneau et al.  
 D727,869 S \* 4/2015 Jarema, III ..... D14/172

OTHER PUBLICATIONS

Design U.S. Appl. No. 29/477,654, filed Dec. 24, 2013, Tooker et al.

\* cited by examiner

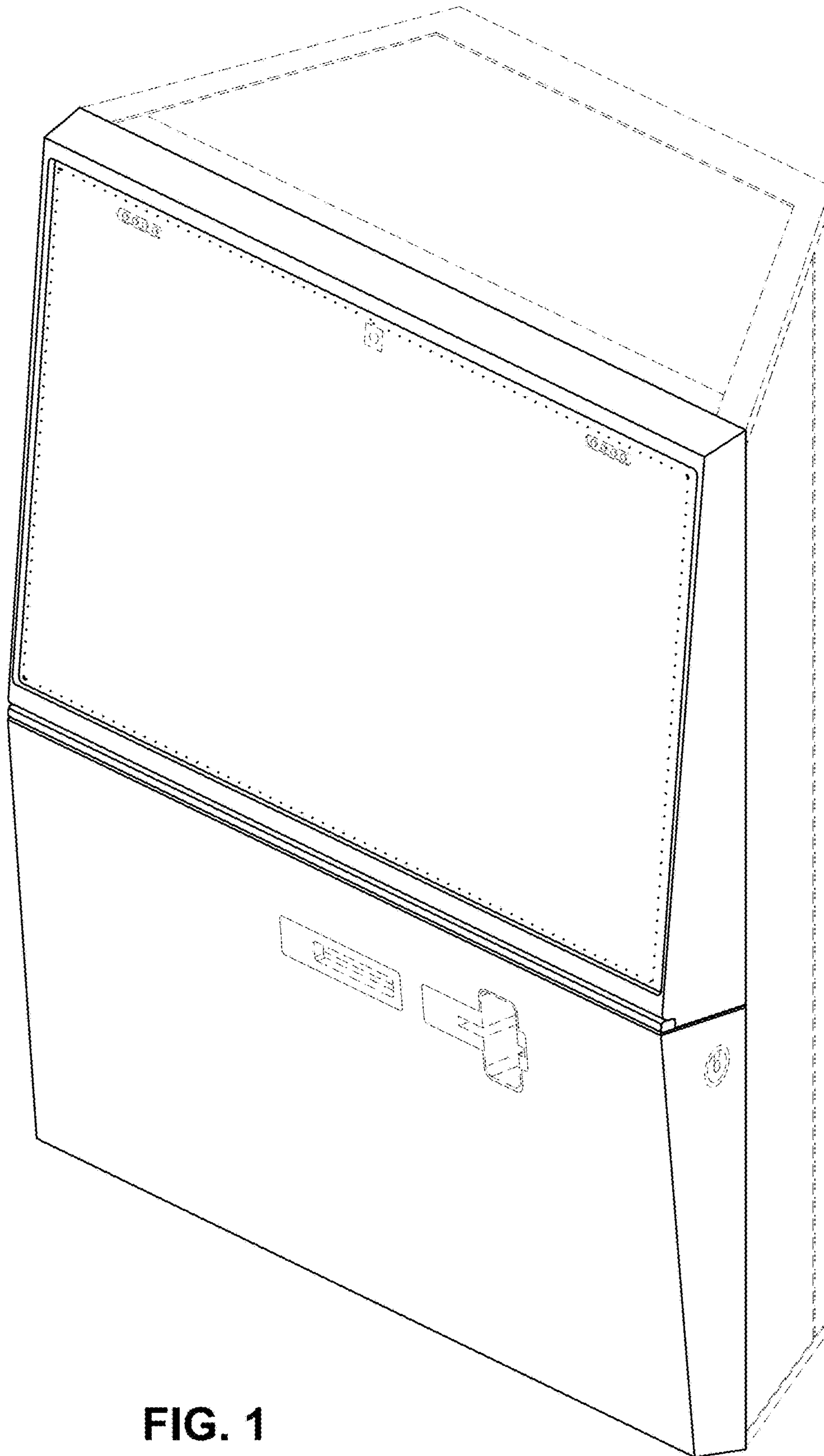


FIG. 1

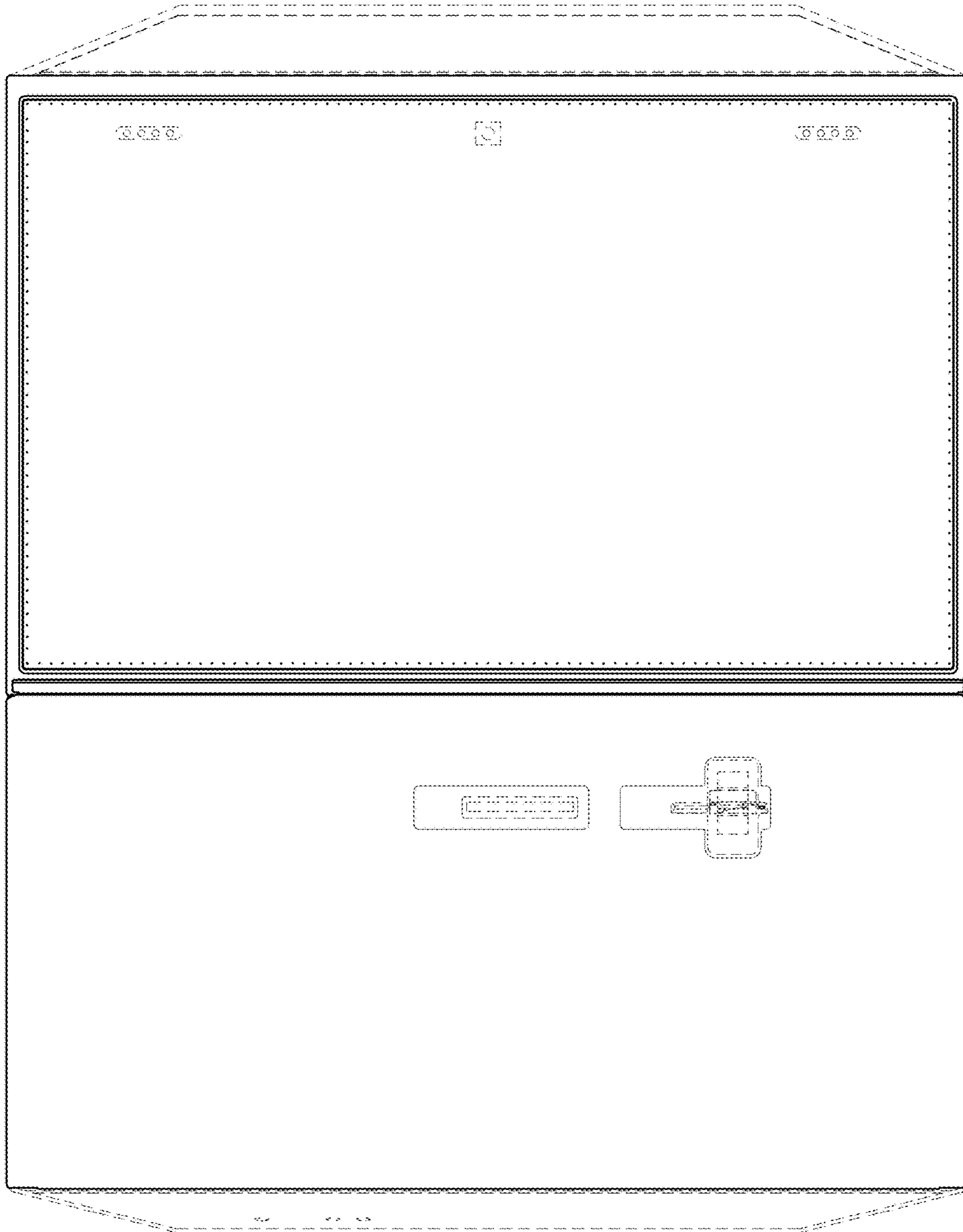


FIG. 2

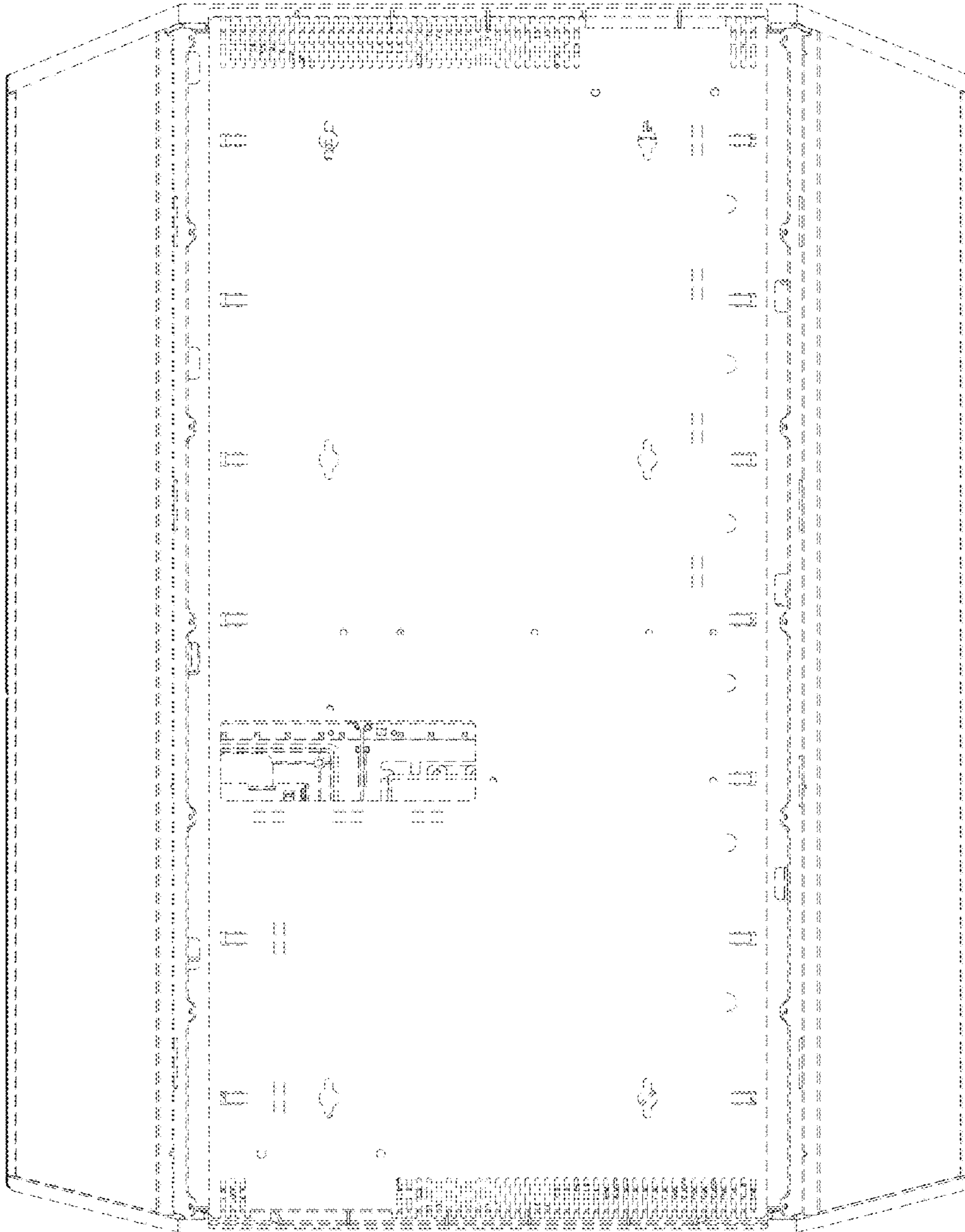


FIG. 3

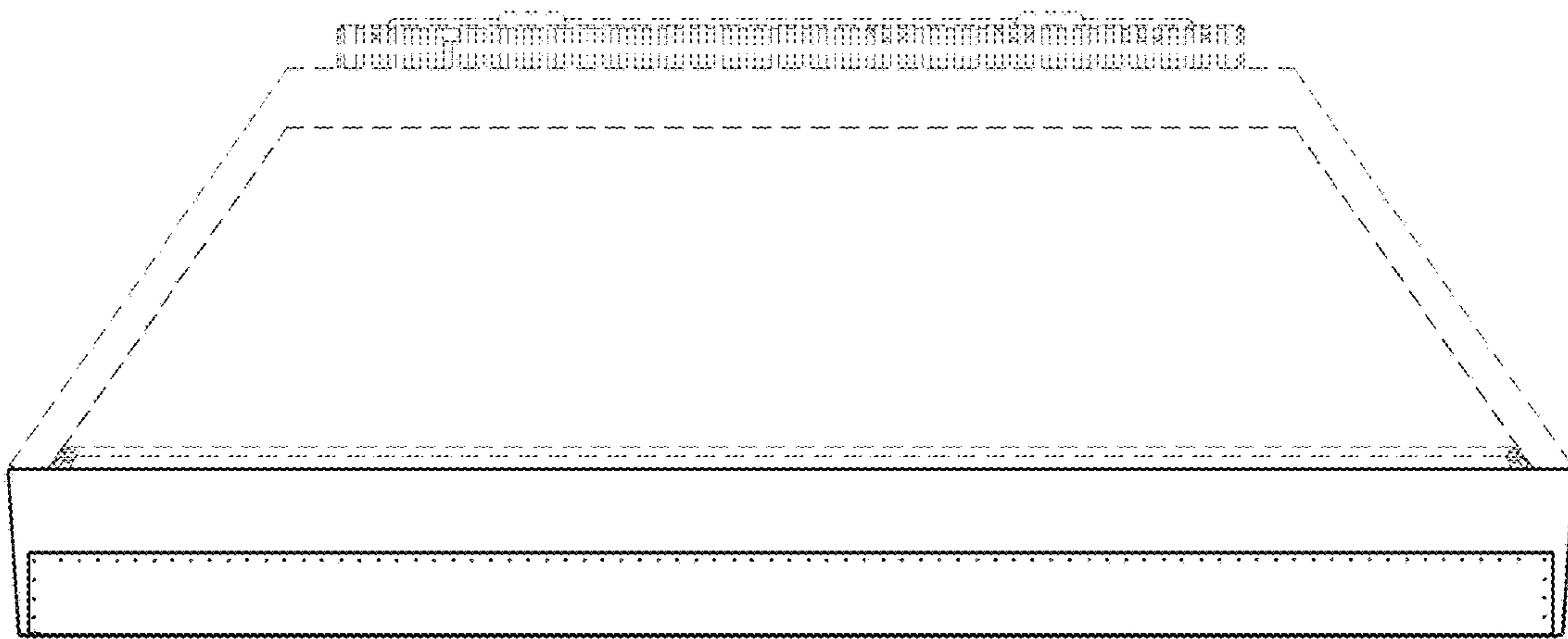


FIG. 4

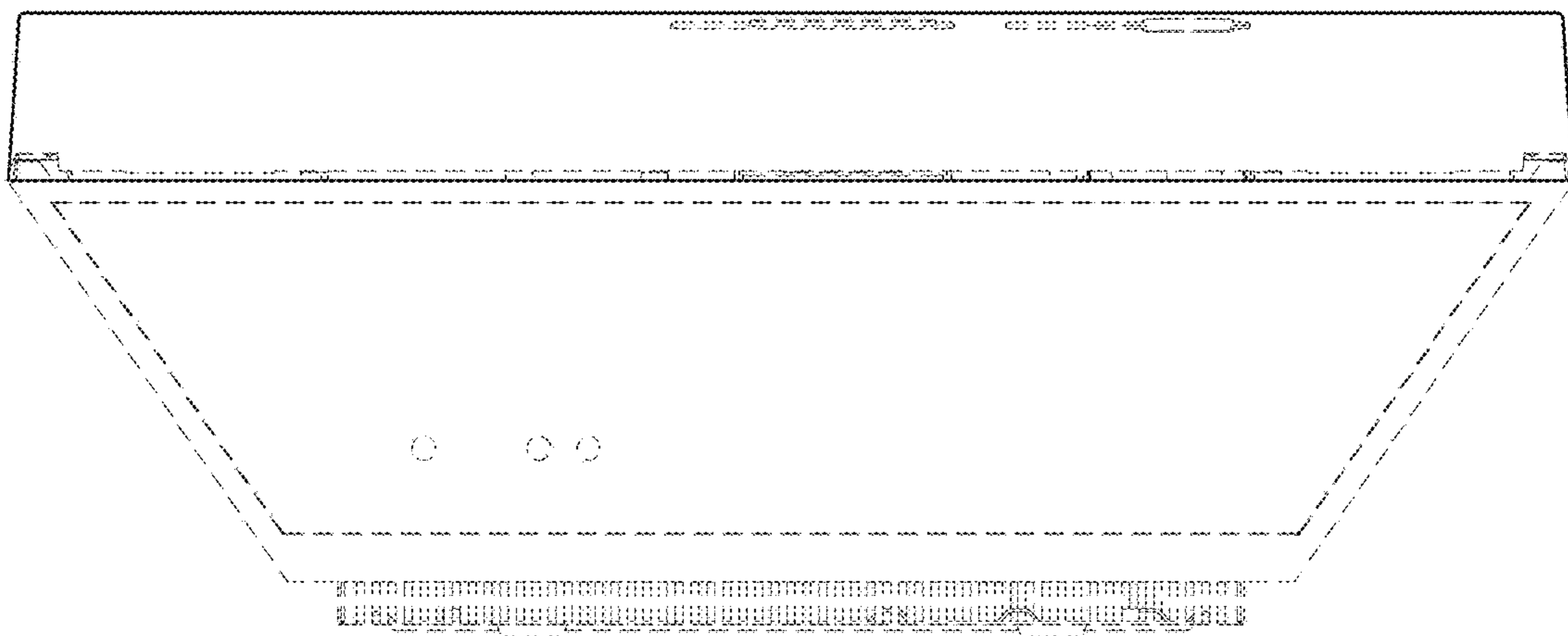


FIG. 5

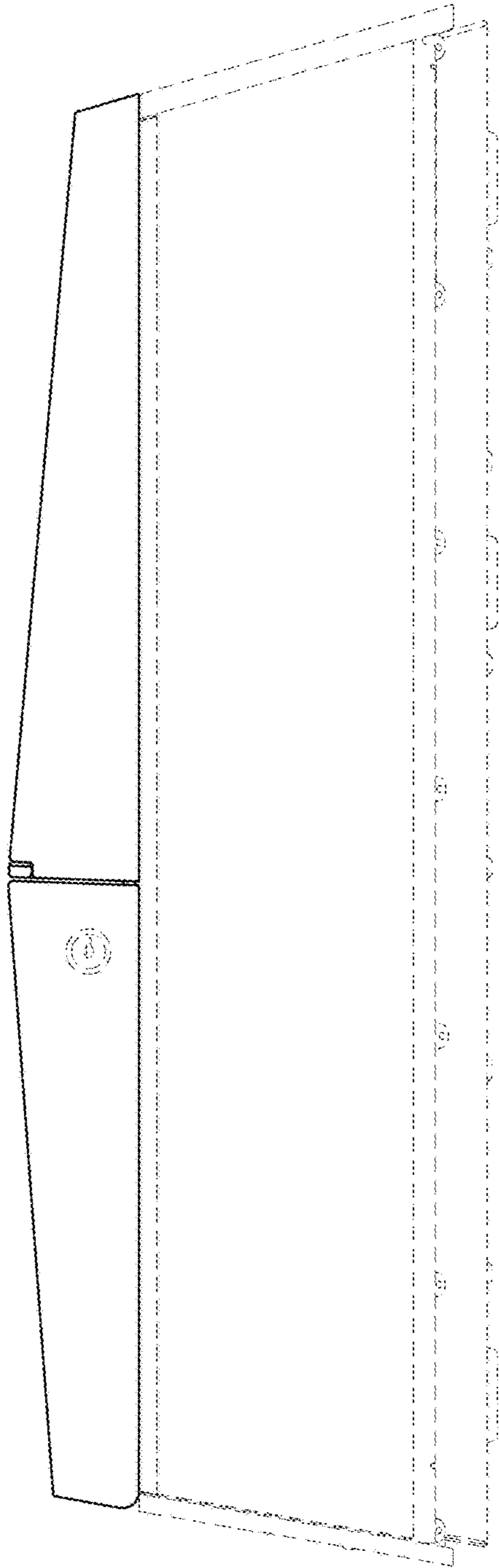


FIG. 6

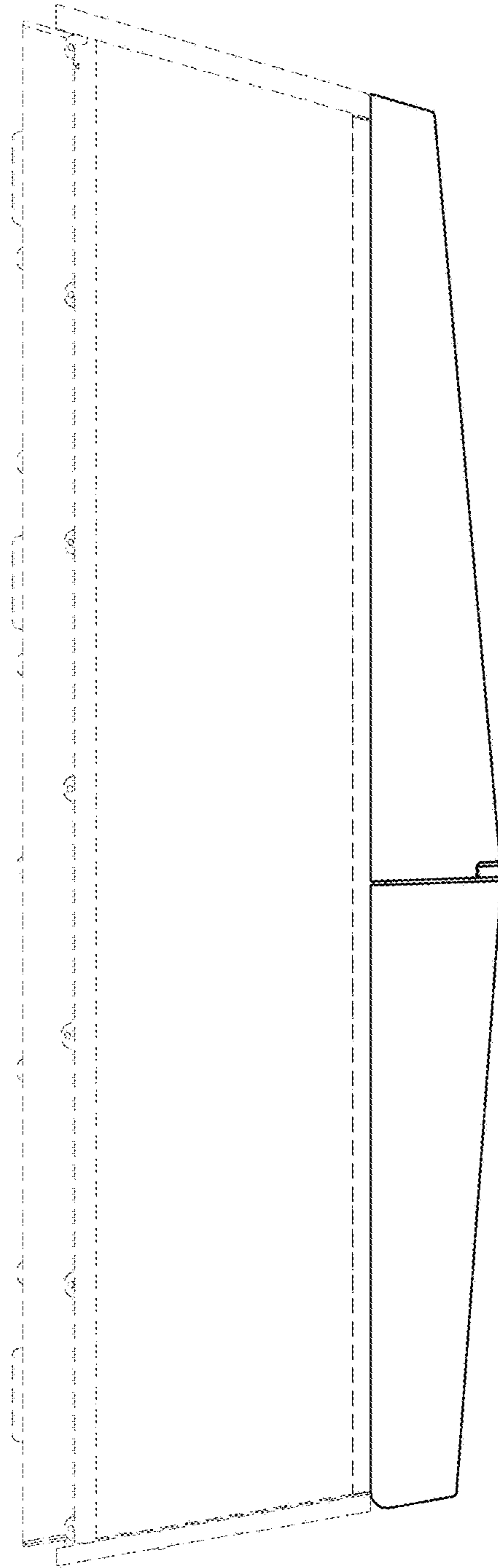


FIG. 7