



US00D775595S

(12) **United States Design Patent** (10) **Patent No.:** **US D775,595 S**
Nuk et al. (45) **Date of Patent:** **** Jan. 3, 2017**

(54) **TELEVISION RECEIVER**

(71) Applicant: **Samsung Electronics Co., Ltd.**,
Suwon-si (KR)

(72) Inventors: **Howard Nuk**, San Francisco, CA (US);
Jin-Seok Hwang, San Francisco, CA
(US); **Alex Millie**, San Francisco, CA
(US); **Seung-Hyun Son**, San
Francisco, CA (US); **Jeff Jones**, San
Francisco, CA (US); **Jeremy David
Baker**, San Francisco, CA (US); **James
Lee**, San Francisco, CA (US); **Ji-Yeon
Lee**, San Francisco, CA (US)

(73) Assignee: **Samsung Electronics Co., Ltd.**,
Suwon-si (KR)

(**) Term: **14 Years**

(21) Appl. No.: **29/522,263**

(22) Filed: **Mar. 30, 2015**

(30) **Foreign Application Priority Data**

Nov. 19, 2014 (KR) 30-2014-0055674

(51) **LOC (10) Cl.** **14-03**

(52) **U.S. Cl.**
USPC **D14/126**

(58) **Field of Classification Search**
USPC D14/125-134, 239, 371, 136, 374-377,
D14/440, 450, 448, 336, 342, 159;
312/7.2; 348/836, 838, 180, 184, 325,
348/739; 248/917-924, 465; 345/104,
345/133, 156, 168, 87, 173; D21/329,
D21/515, 577, 622, 333, 433, 448, 452,
D21/450, 331, 505; D10/15, 26; 446/484,
446/175, 356; D6/477, 479, 300; D20/10,
D20/19, 39; D16/203, 241; 160/24
CPC G06F 1/1601; G06F 1/1643; H05K 5/0004;
H05K 5/0017; H05K 5/02; H05K 5/0217;
H04N 13/0459

See application file for complete search history.

(56) **References Cited**

U.S. PATENT DOCUMENTS

D577,206 S	9/2008	Chang et al.	
D585,398 S	1/2009	Hwang et al.	
D604,733 S	11/2009	Andre et al.	
D649,966 S *	12/2011	Chiu	D14/341
D709,067 S *	7/2014	Ahn	D14/345
D729,232 S *	5/2015	Wu	D14/341

(Continued)

FOREIGN PATENT DOCUMENTS

CN	201130494605	8/2012
CN	201330041940	8/2013

Primary Examiner — Raphael Barkai

(74) *Attorney, Agent, or Firm* — NSIP Law

(57) **CLAIM**

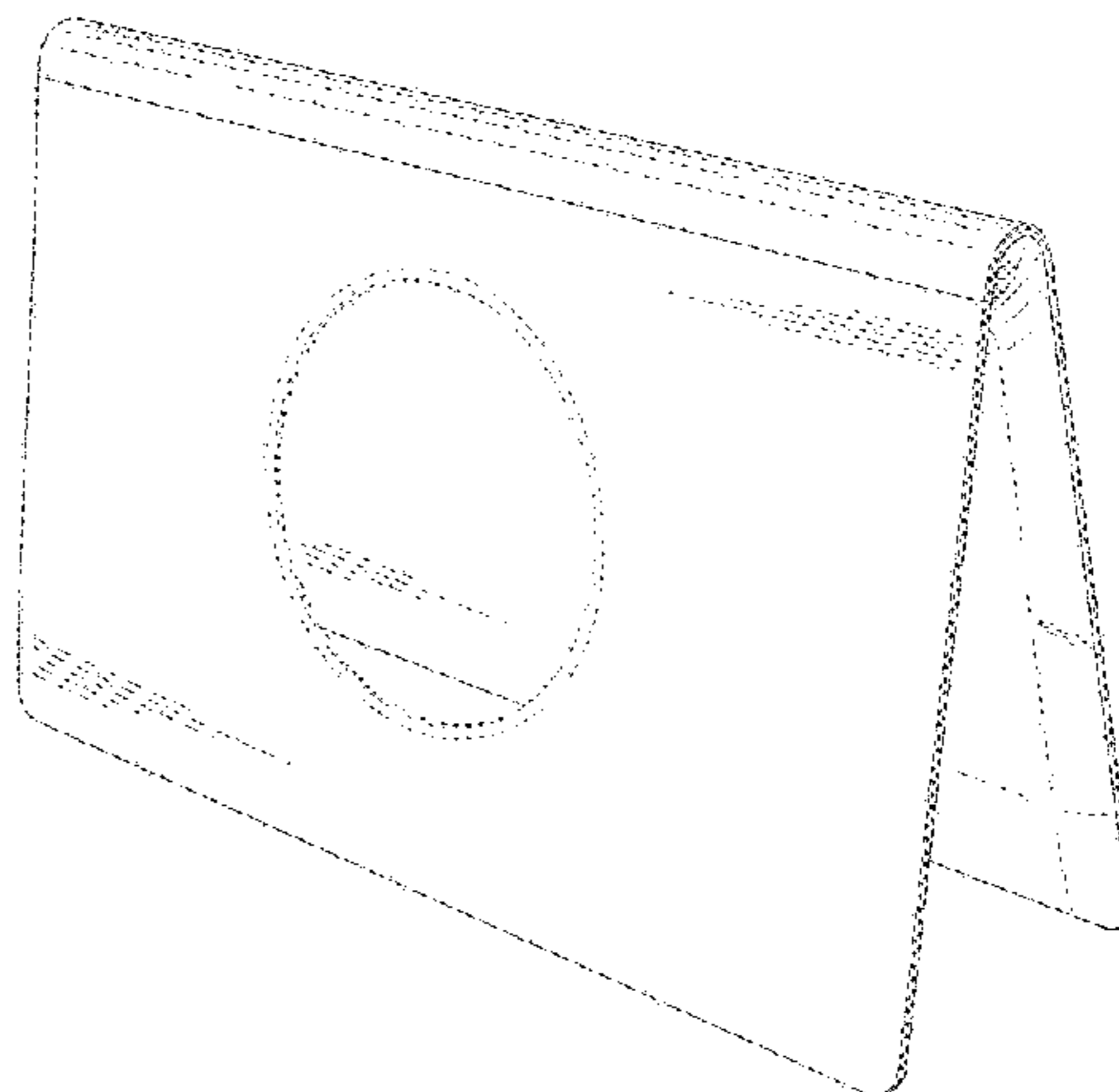
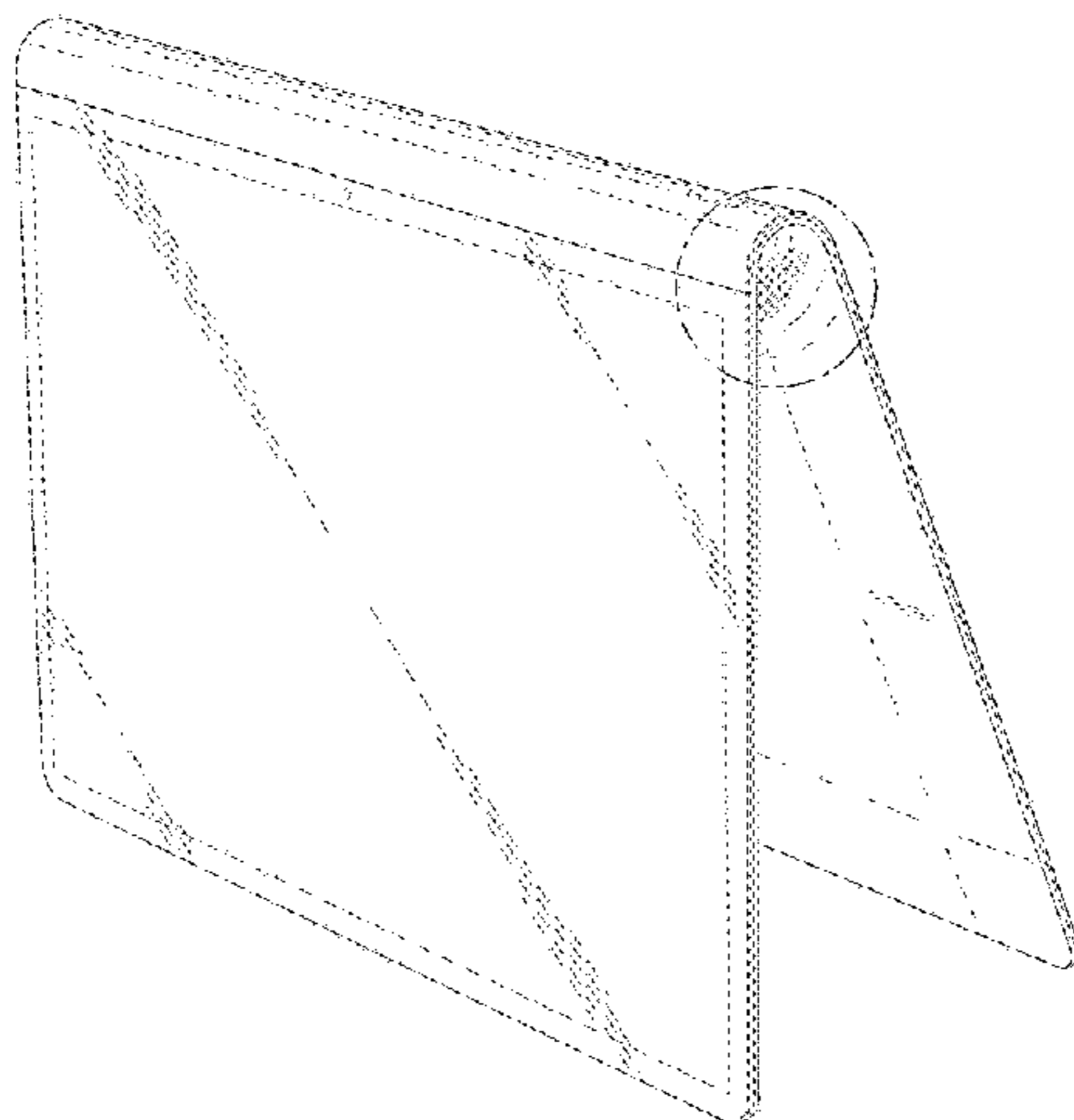
We claim the ornamental design for a television receiver, as shown and described.

DESCRIPTION

FIG. 1 is a front perspective view of a television receiver showing our new design;
FIG. 2 is a front view thereof;
FIG. 3 is a rear view thereof;
FIG. 4 is a left-side view thereof;
FIG. 5 is a right-side view thereof;
FIG. 6 is a top view thereof;
FIG. 7 is a bottom view thereof;
FIG. 8 is a rear perspective view thereof;
FIG. 9 is an enlarged view of the encircled portion in FIG. 1;
FIG. 10 is an enlarged view of the encircled portion in FIG. 4; and,
FIG. 11 is an enlarged view of the encircled portion in FIG. 7.

The broken lines in the figures show portions of the television receiver which form no part of the claimed design.

(Continued)



The dot-dash broken lines encircling portions of the claimed design that are illustrated in enlargements form no part of the claimed design.

1 Claim, 11 Drawing Sheets

(56)

References Cited

U.S. PATENT DOCUMENTS

D732,491 S *	6/2015	Choi	D14/126
D747,284 S *	1/2016	Endo	D14/126
9,250,853 B2 *	2/2016	Yun	G06F 3/1446
2013/0229324 A1 *	9/2013	Zhang	G09G 5/00
				345/1.3
2014/0285433 A1 *	9/2014	Park	G06F 3/0487
				345/156
2014/0285476 A1 *	9/2014	Cho	G06F 1/1601
				345/204
2015/0198978 A1 *	7/2015	Catchpole	G06F 1/1632
				345/173

* cited by examiner

FIG. 1

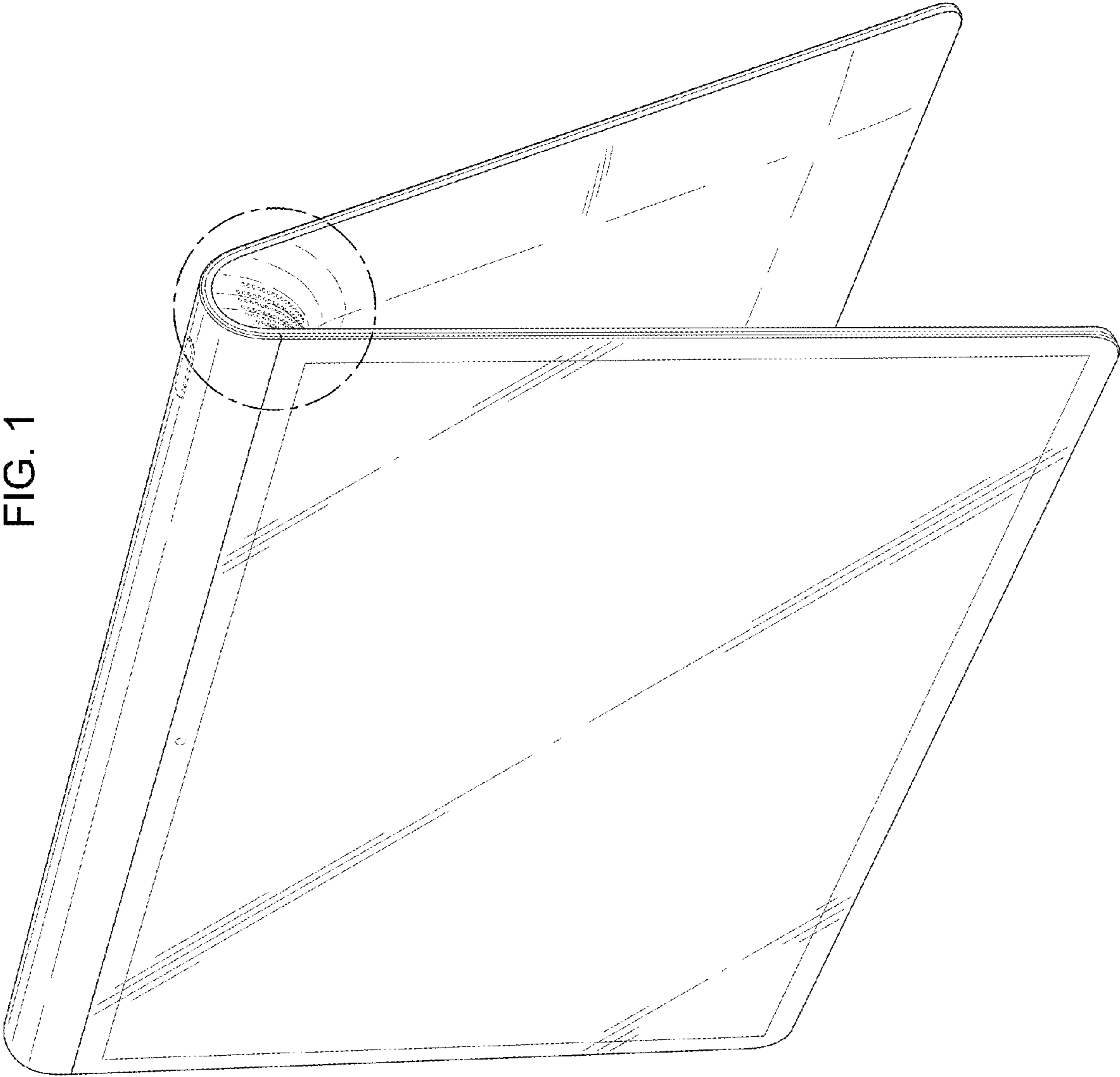


FIG. 2

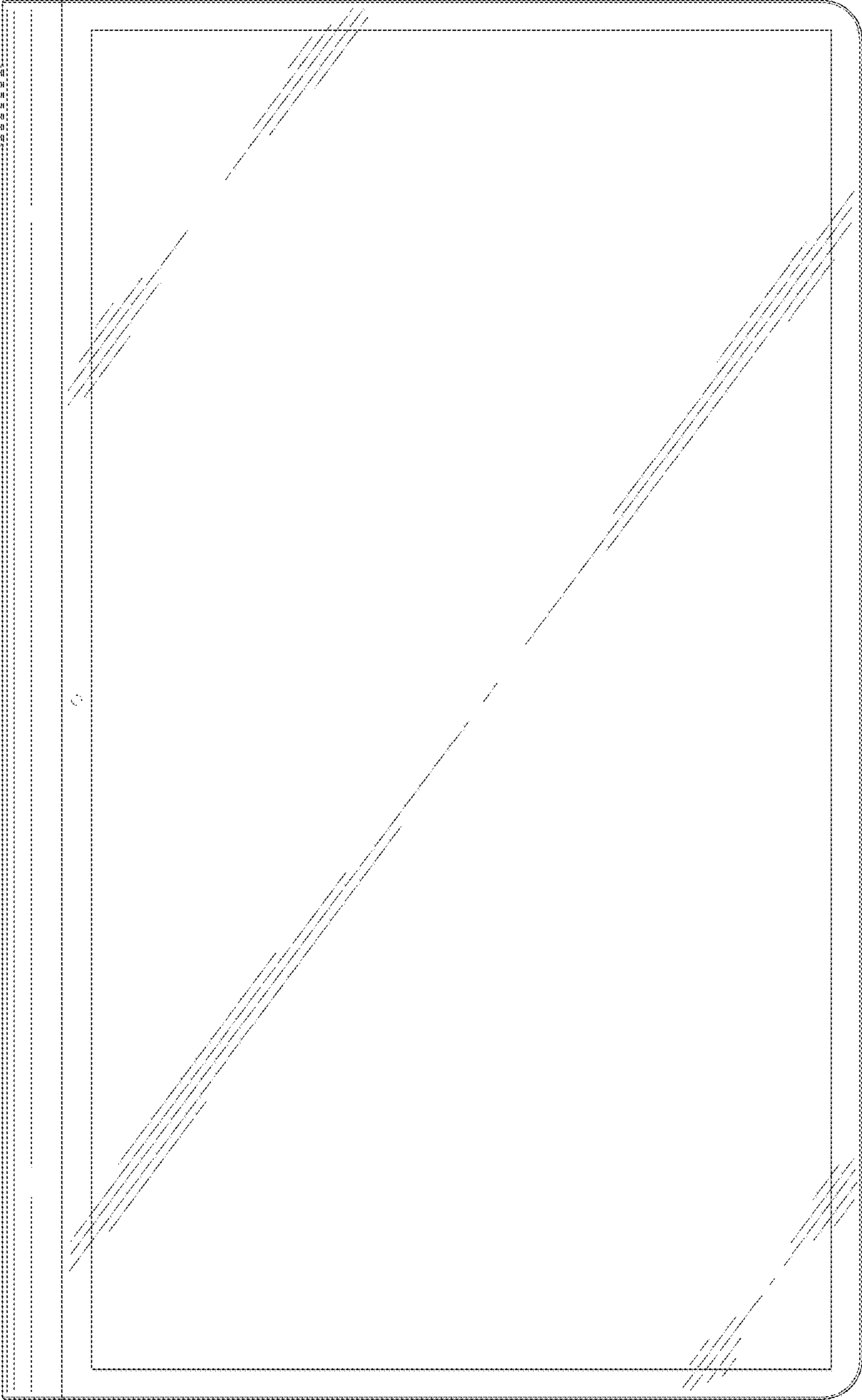


FIG. 3

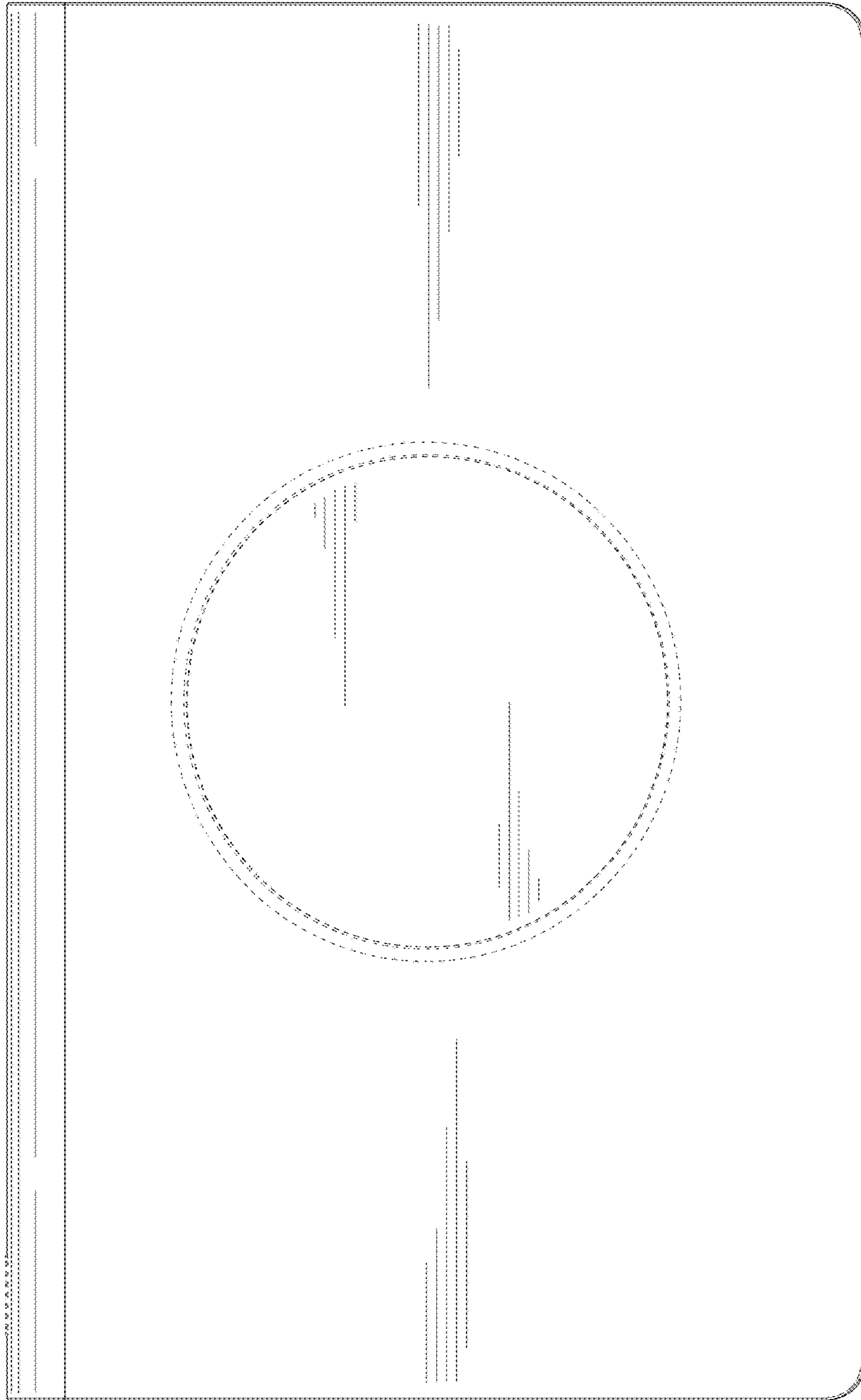


FIG. 4

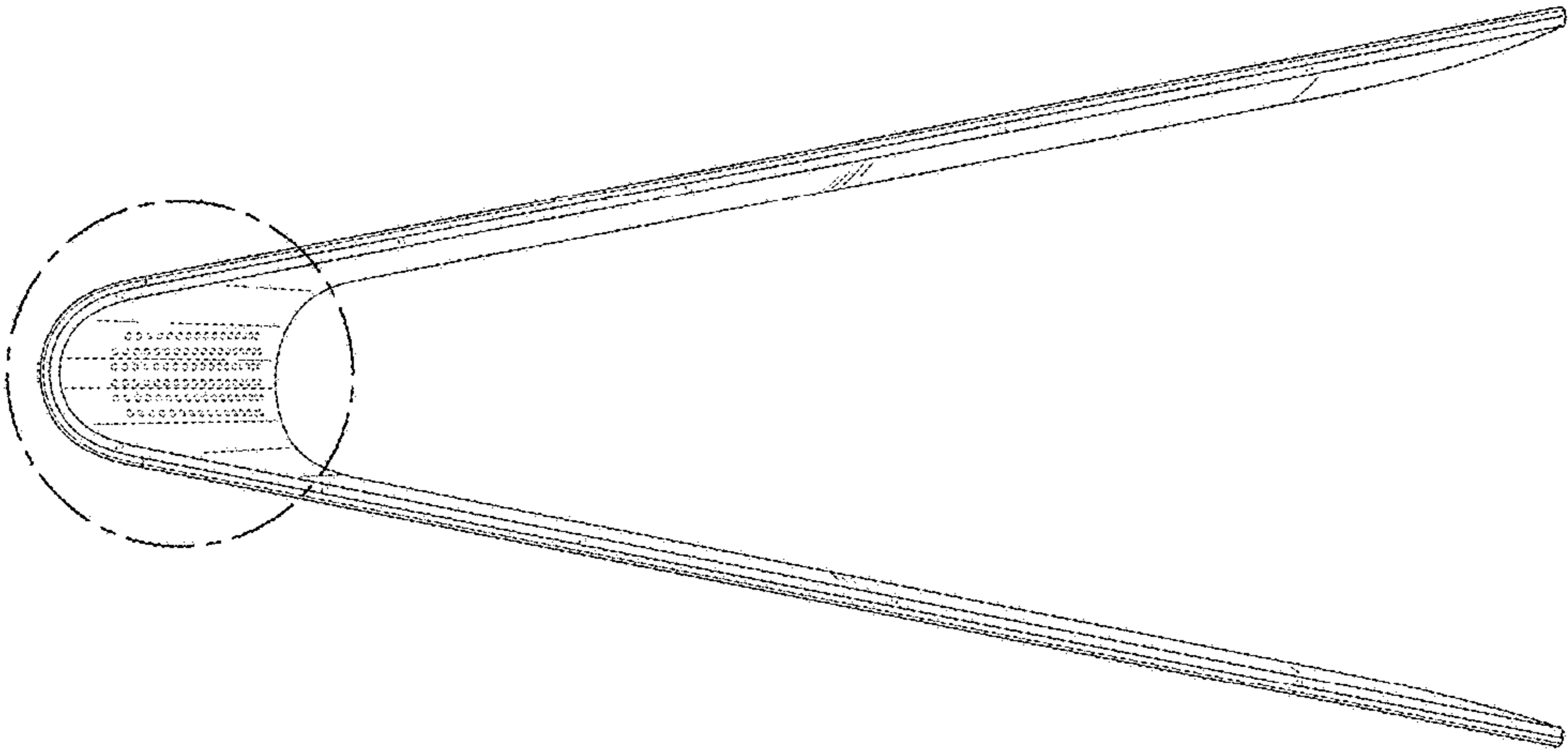


FIG. 5

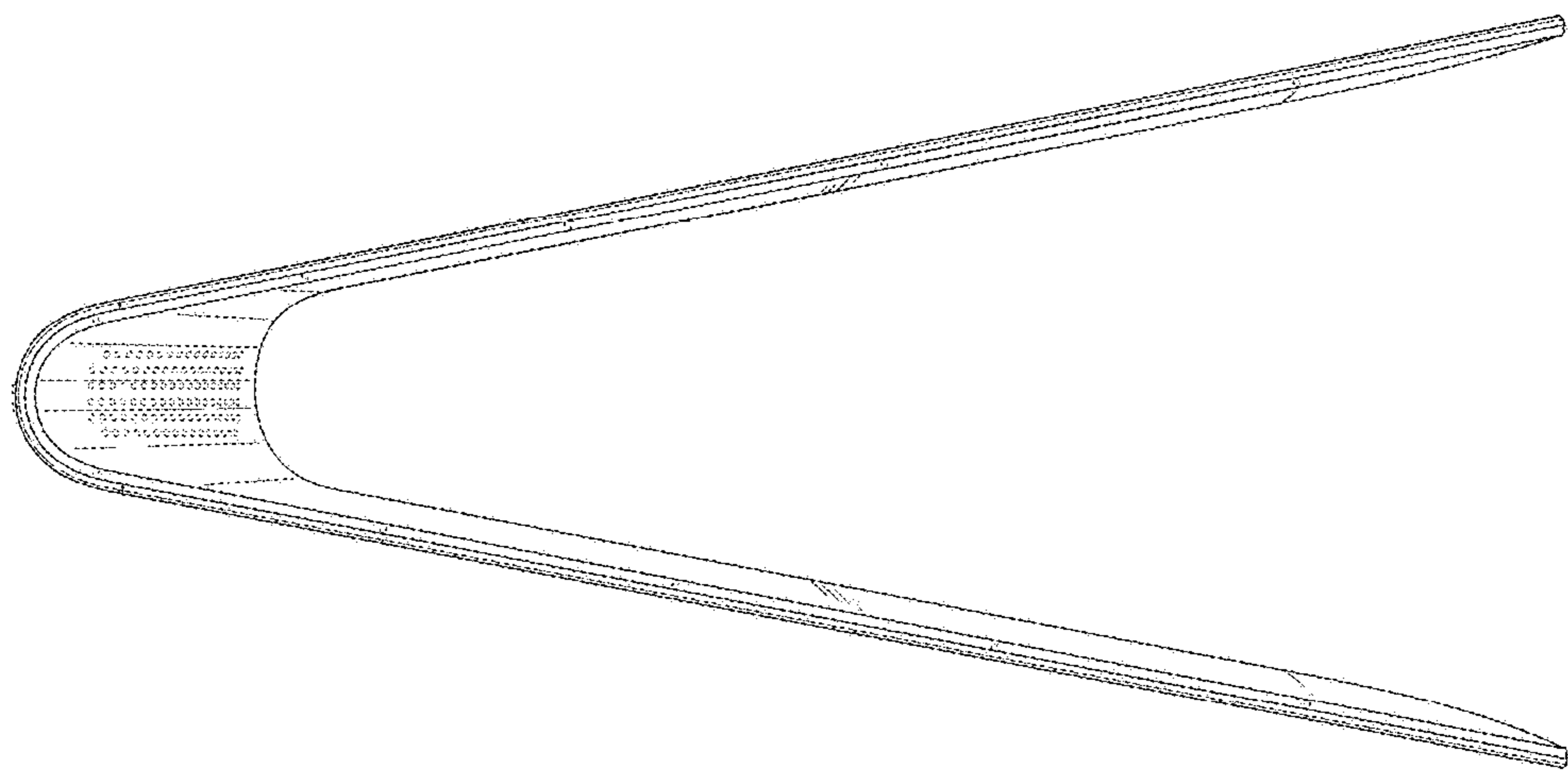


FIG. 6

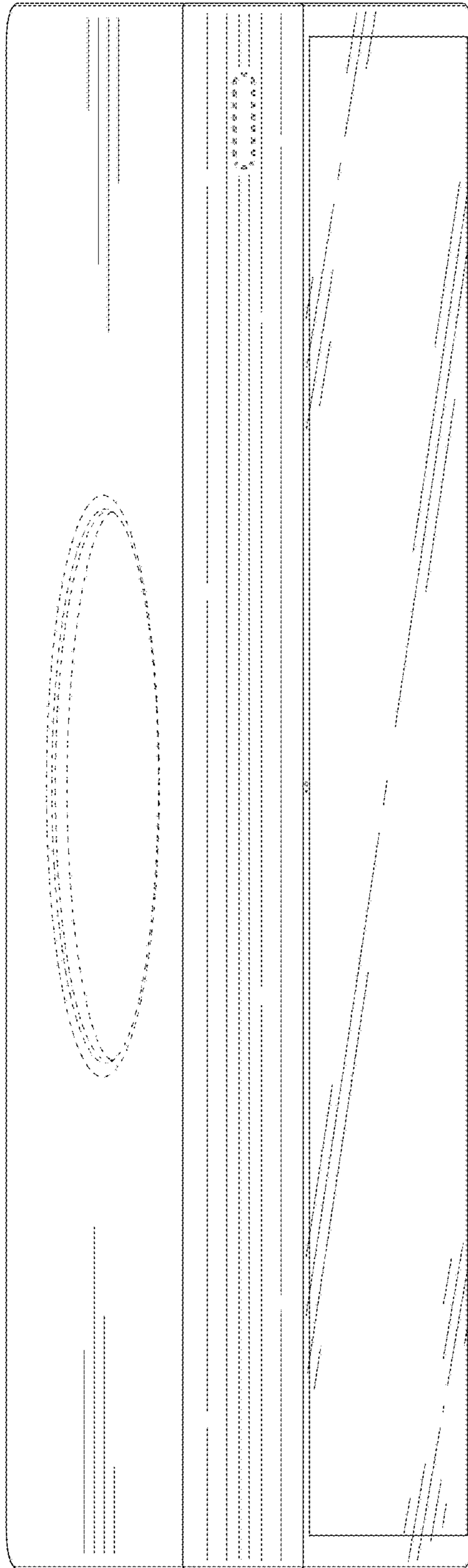


FIG. 7

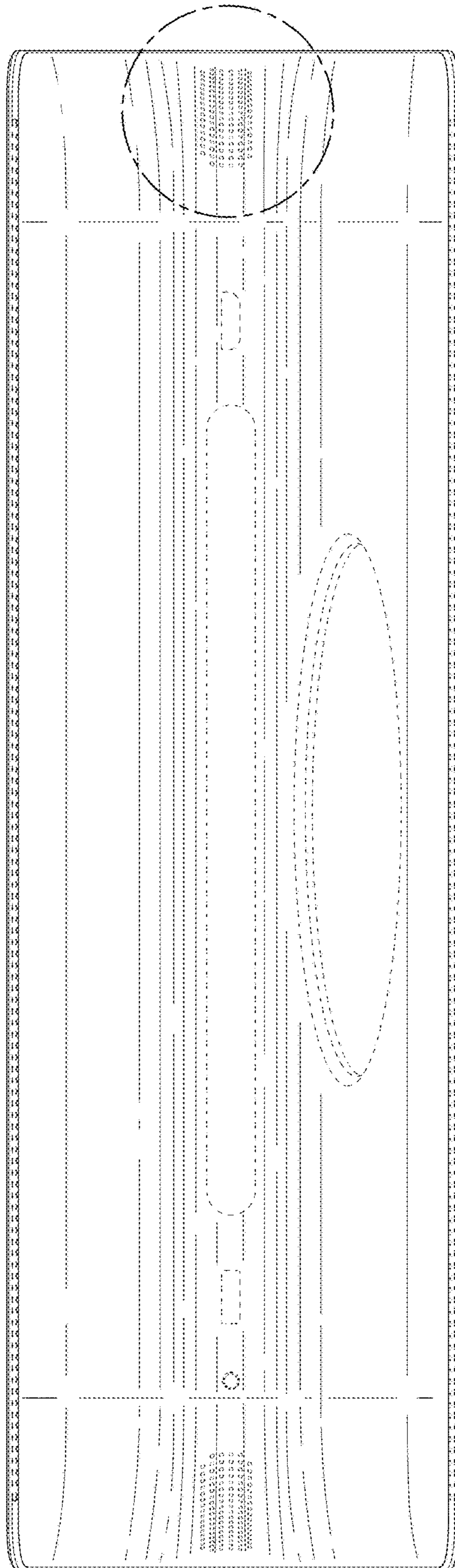


FIG. 8

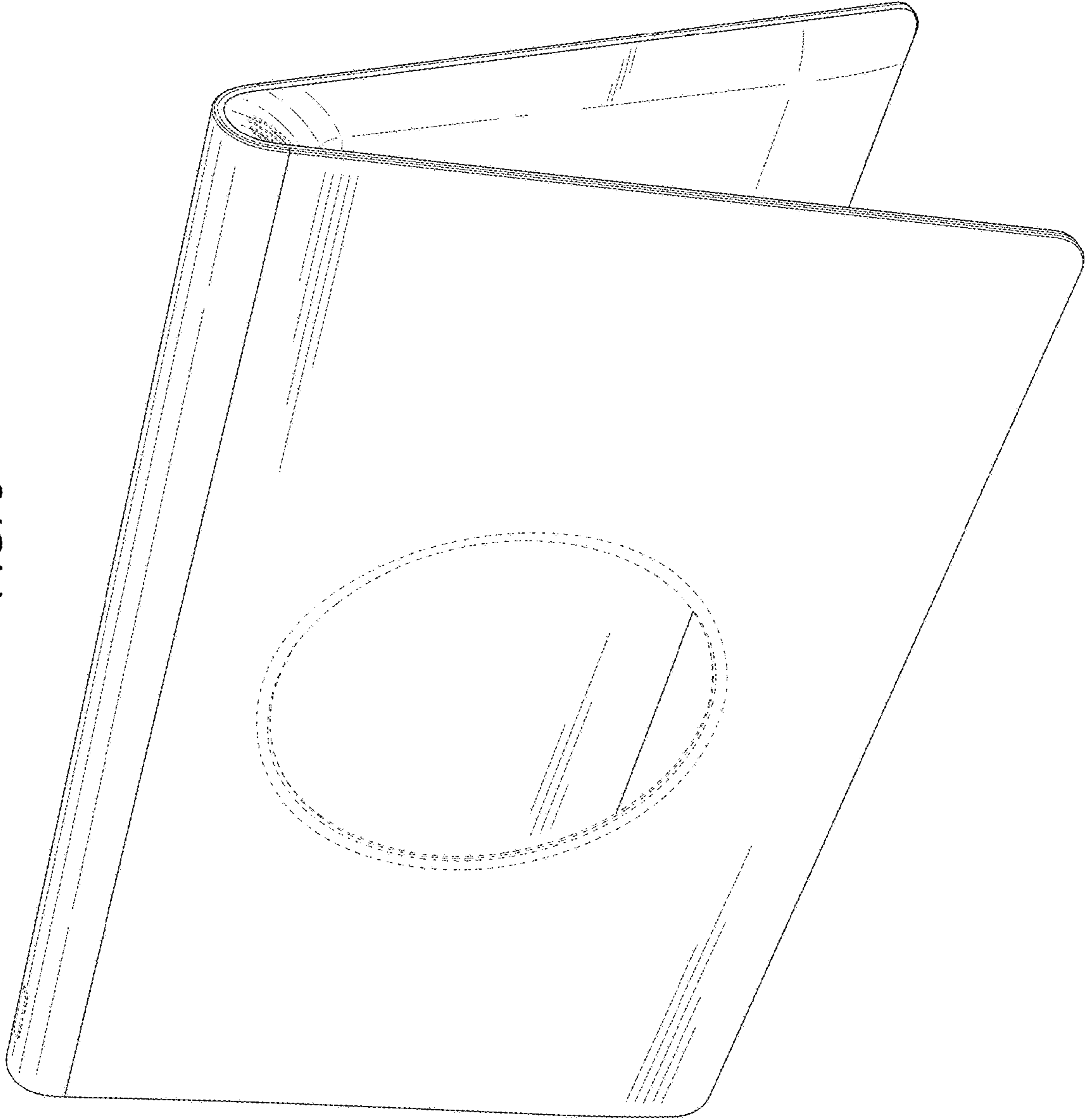


FIG. 9

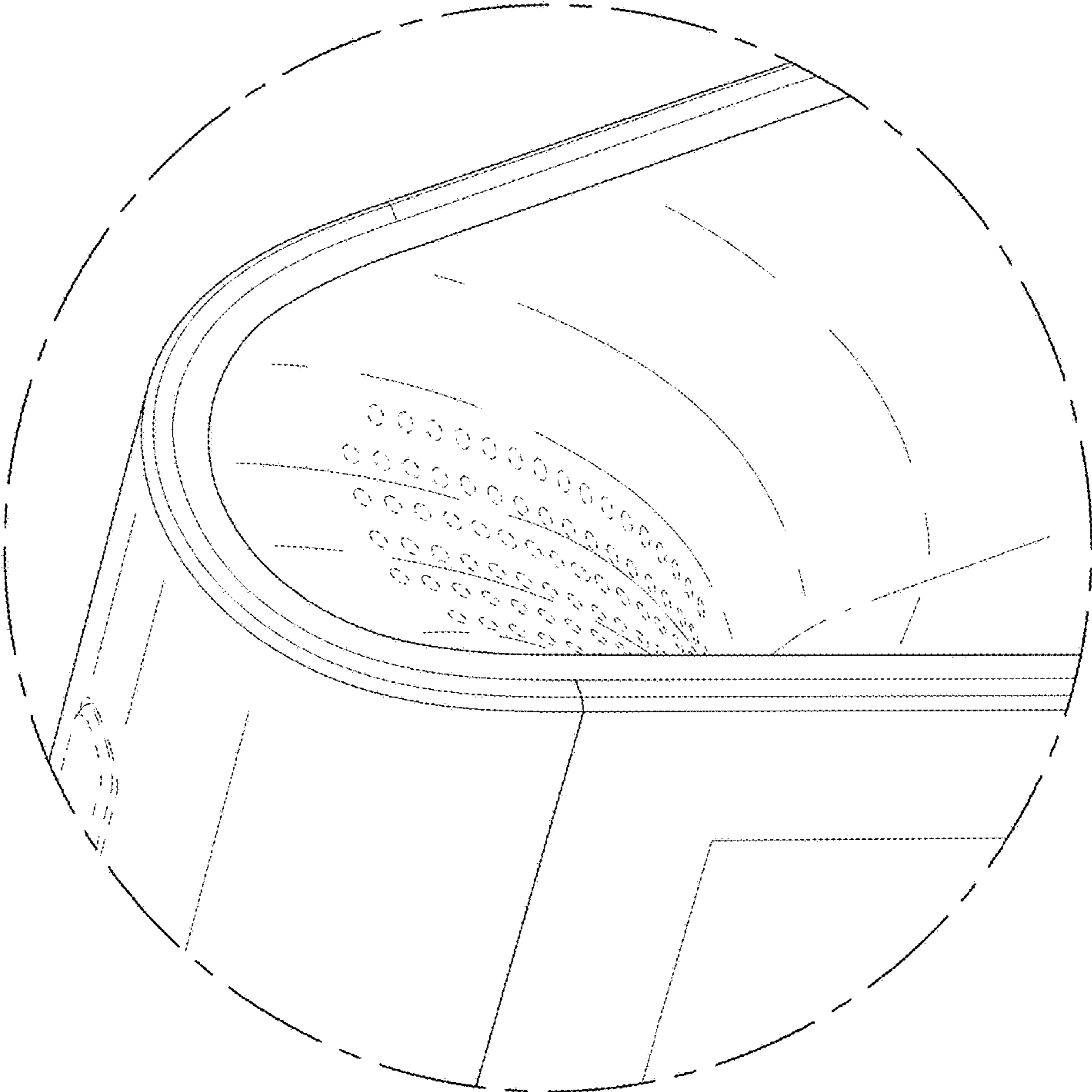


FIG. 10

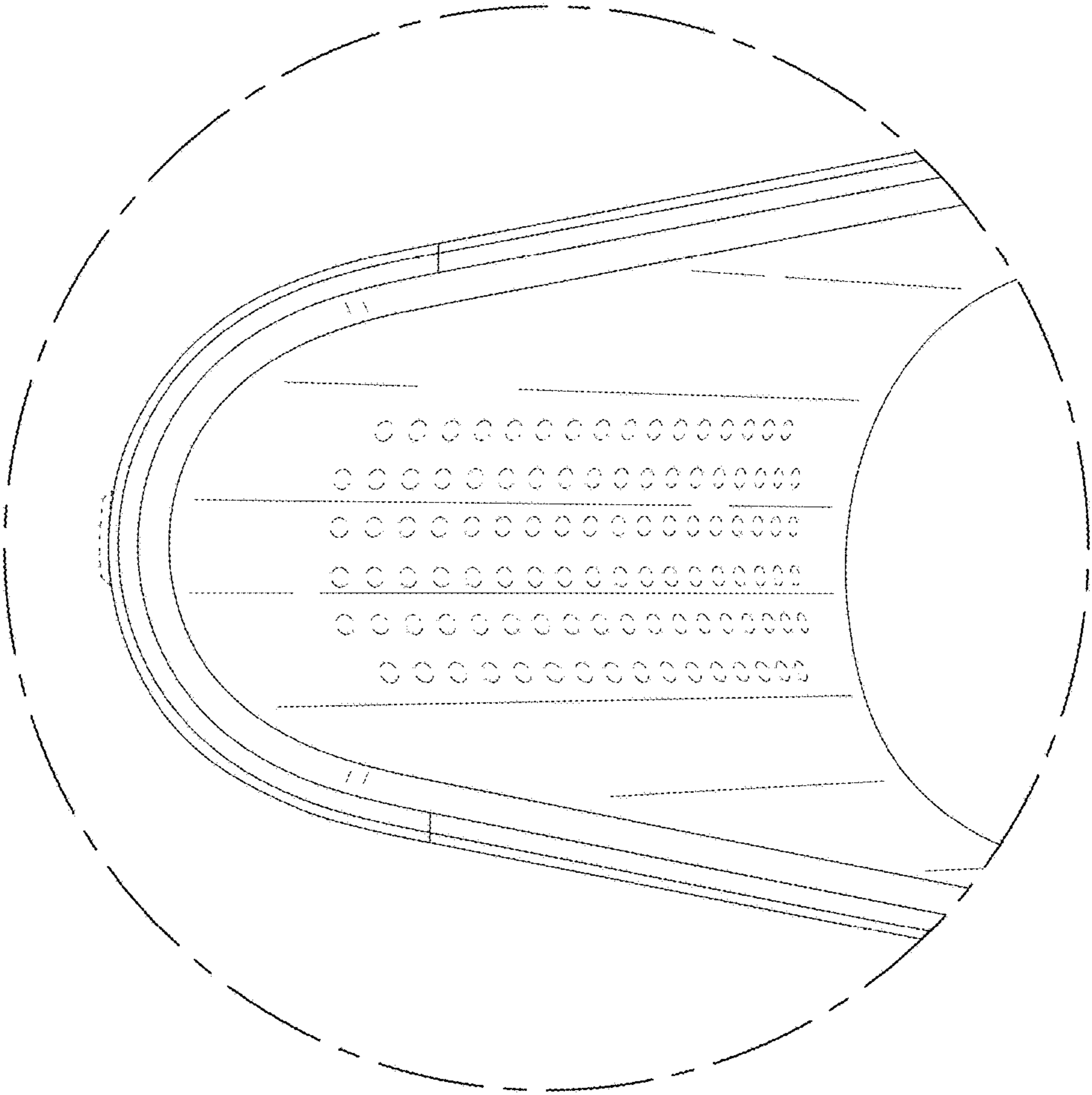


FIG. 11

