



US00D775592S

(12) **United States Design Patent**
Sasano

(10) **Patent No.:** **US D775,592 S**
(45) **Date of Patent:** **** Jan. 3, 2017**

(54) **ELECTRIC CONNECTING TERMINAL**

(71) Applicant: **OMRON Corporation**, Kyoto-shi,
Kyoto (JP)

(72) Inventor: **Naoya Sasano**, Hachioji (JP)

(73) Assignee: **OMRON Corporation**, Kyoto (JP)

(**) Term: **15 Years**

(21) Appl. No.: **29/535,847**

(22) Filed: **Aug. 11, 2015**

(30) **Foreign Application Priority Data**

Feb. 13, 2015 (JP) 2015-002906

(51) **LOC (10) Cl.** **13-03**

(52) **U.S. Cl.**
USPC **D13/154**

(58) **Field of Classification Search**
USPC D13/118, 120, 133, 147, 154, 184, 199
CPC H01R 4/48; H01R 13/02; H01R 13/05;
H01R 13/187; H01R 13/2442; H01R
13/432
See application file for complete search history.

(56) **References Cited**

U.S. PATENT DOCUMENTS

D494,545 S * 8/2004 Kuroda D13/154
D665,360 S * 8/2012 Gieski D13/154
D668,621 S * 10/2012 Gieski D13/154
2011/0076901 A1 * 3/2011 Glick H01R 9/245
439/839

2012/0129407 A1* 5/2012 Glick H01R 13/113
439/817
2015/0038000 A1* 2/2015 Glick H01R 13/18
439/370
2015/0303593 A1* 10/2015 Ono H01R 12/728
439/850

* cited by examiner

Primary Examiner — Daniel Bui

(74) *Attorney, Agent, or Firm* — Sterne, Kessler,
Goldstein & Fox P.L.L.C.

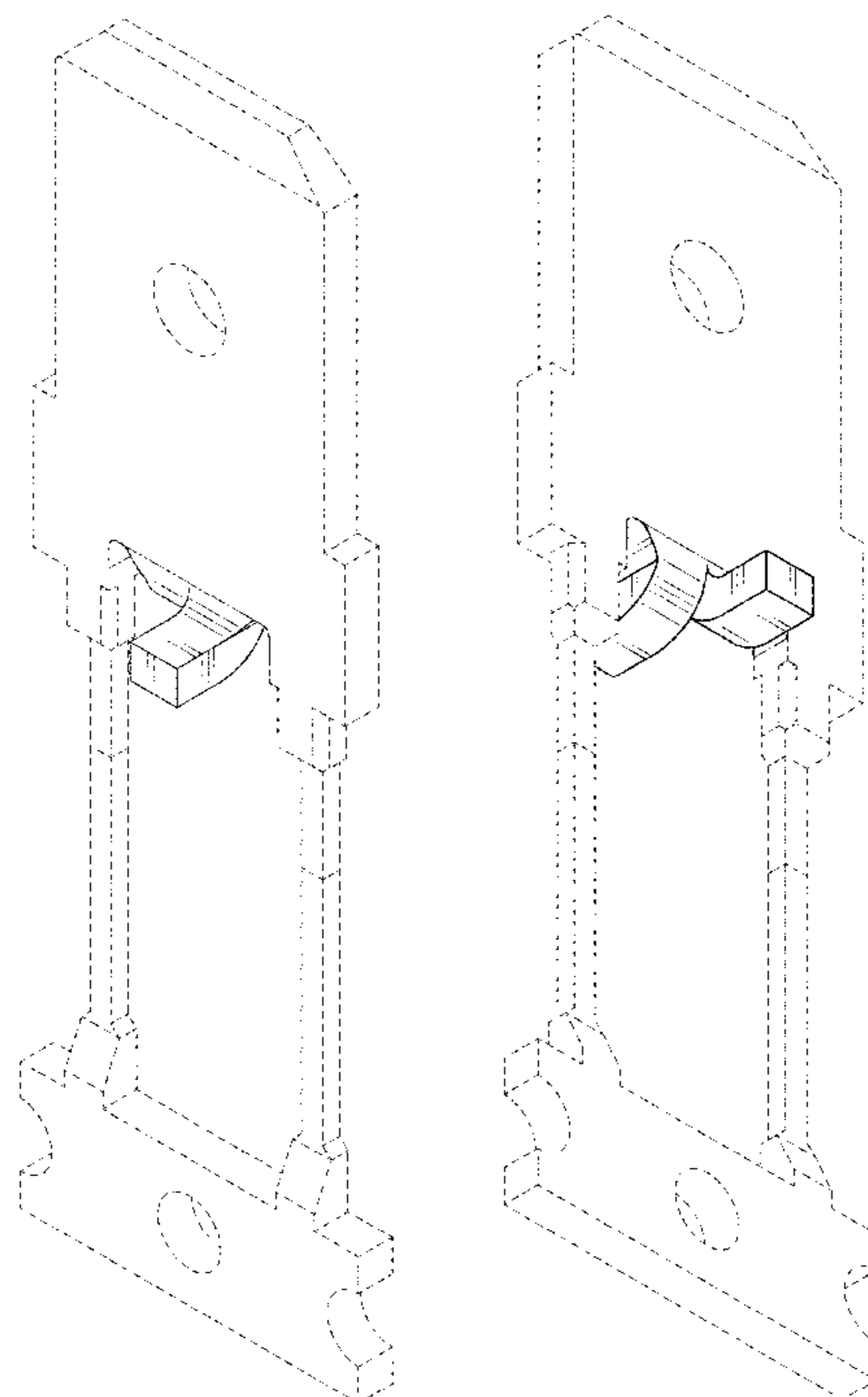
(57) **CLAIM**

The ornamental design for an electric connecting terminal,
as shown and described.

DESCRIPTION

FIG. 1 is a top perspective view of an electric connecting terminal showing my new design;
FIG. 2 is a bottom perspective view thereof;
FIG. 3 is a front elevational view thereof;
FIG. 4 is a rear elevational view thereof;
FIG. 5 is a left side view thereof;
FIG. 6 is a right side view thereof;
FIG. 7 is a top plan view thereof; and,
FIG. 8 is a bottom plan view thereof.
The dashed broken lines in the figures show portions of the electric connecting terminal that form no part of the claimed design.
The dot-dash broken lines in the figures show boundaries of the claimed design.
The shade lines in the figures show contour and not surface ornamentation.

1 Claim, 5 Drawing Sheets



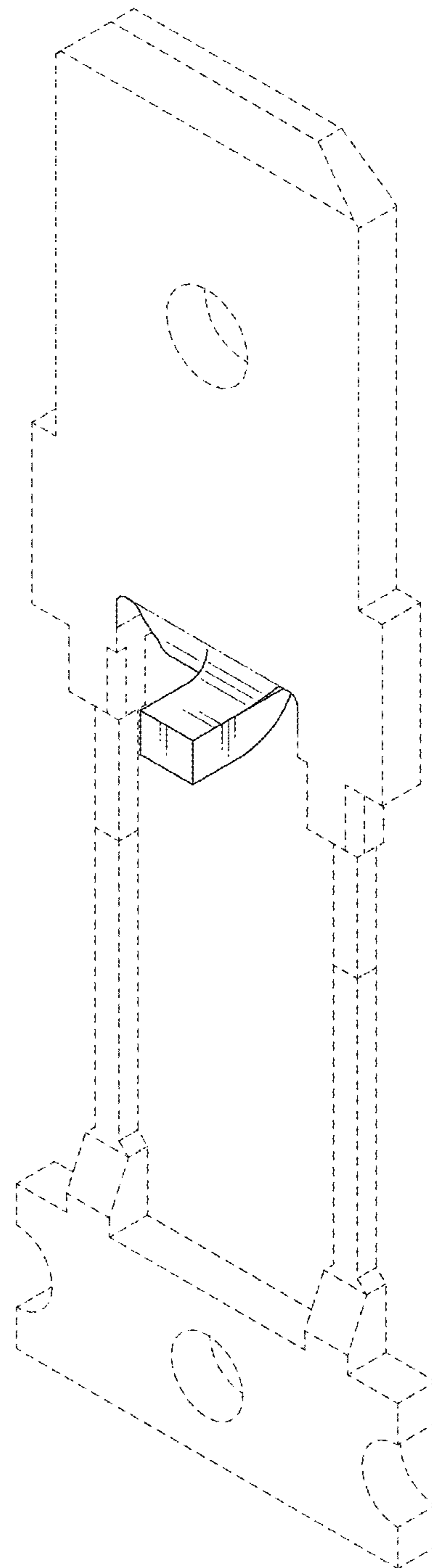


Fig. 1

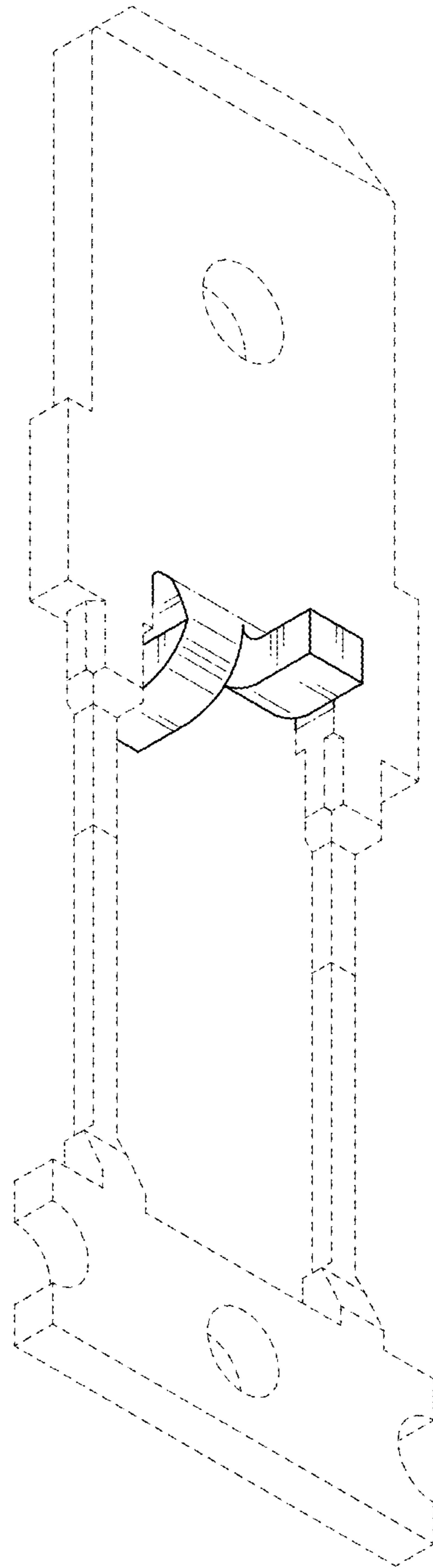


Fig. 2

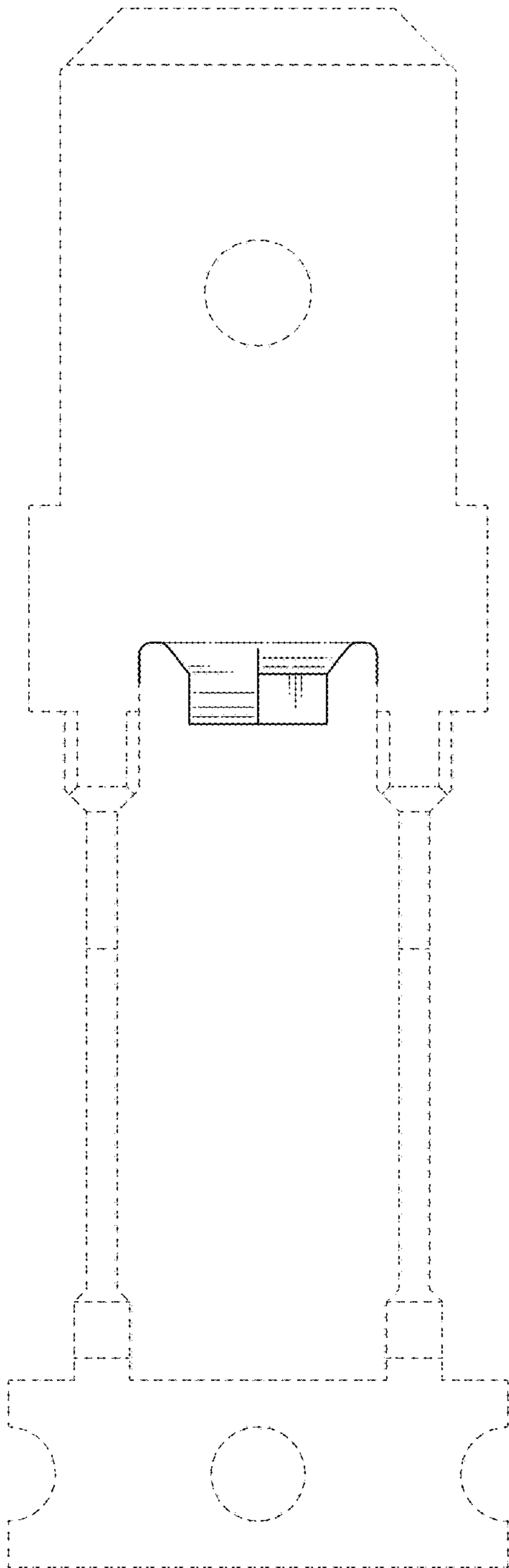


Fig. 3

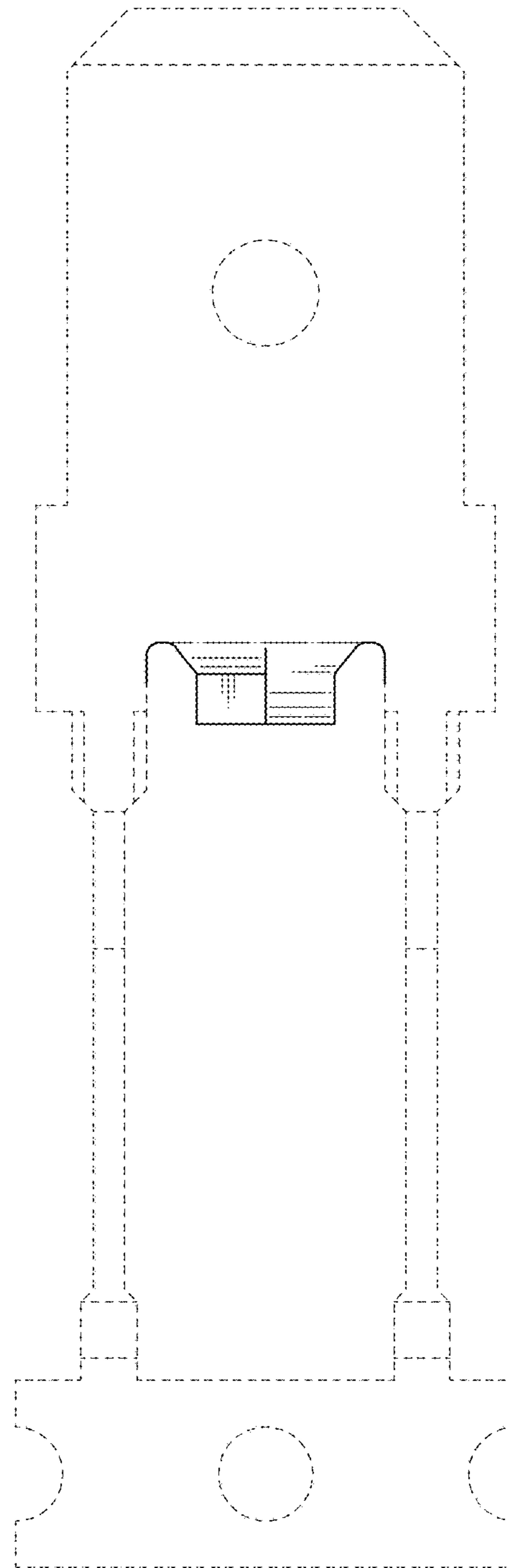


Fig. 4

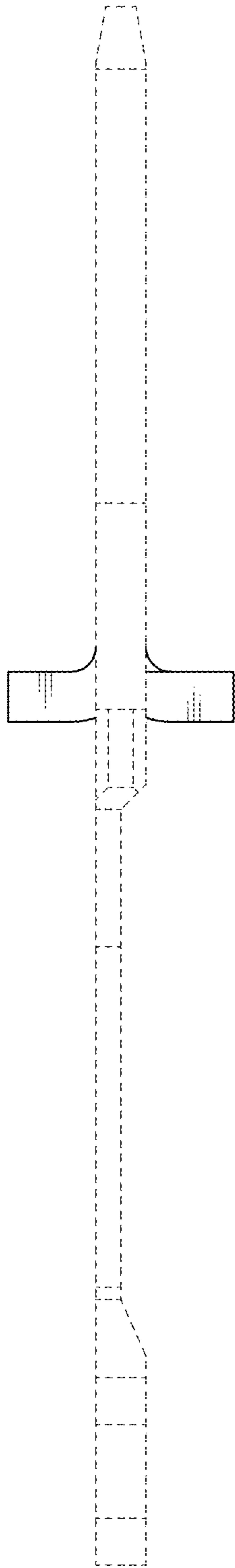


Fig. 5

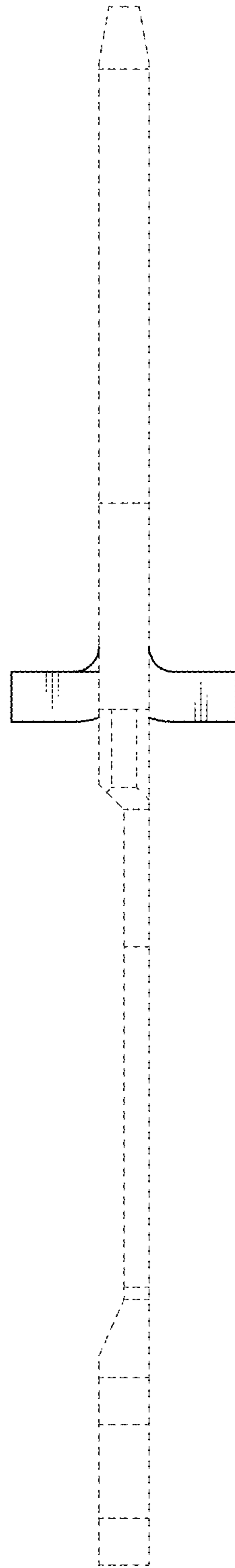


Fig. 6

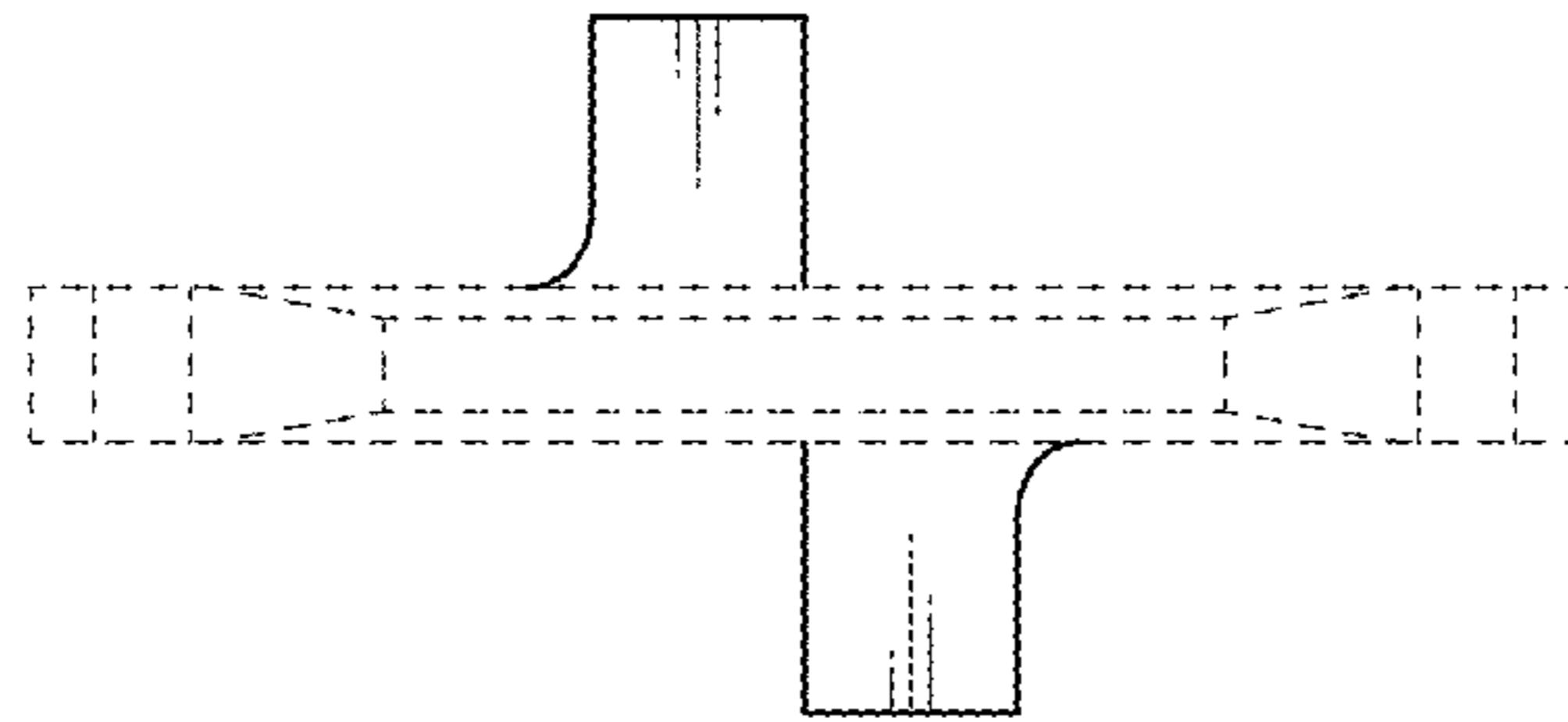


Fig. 7

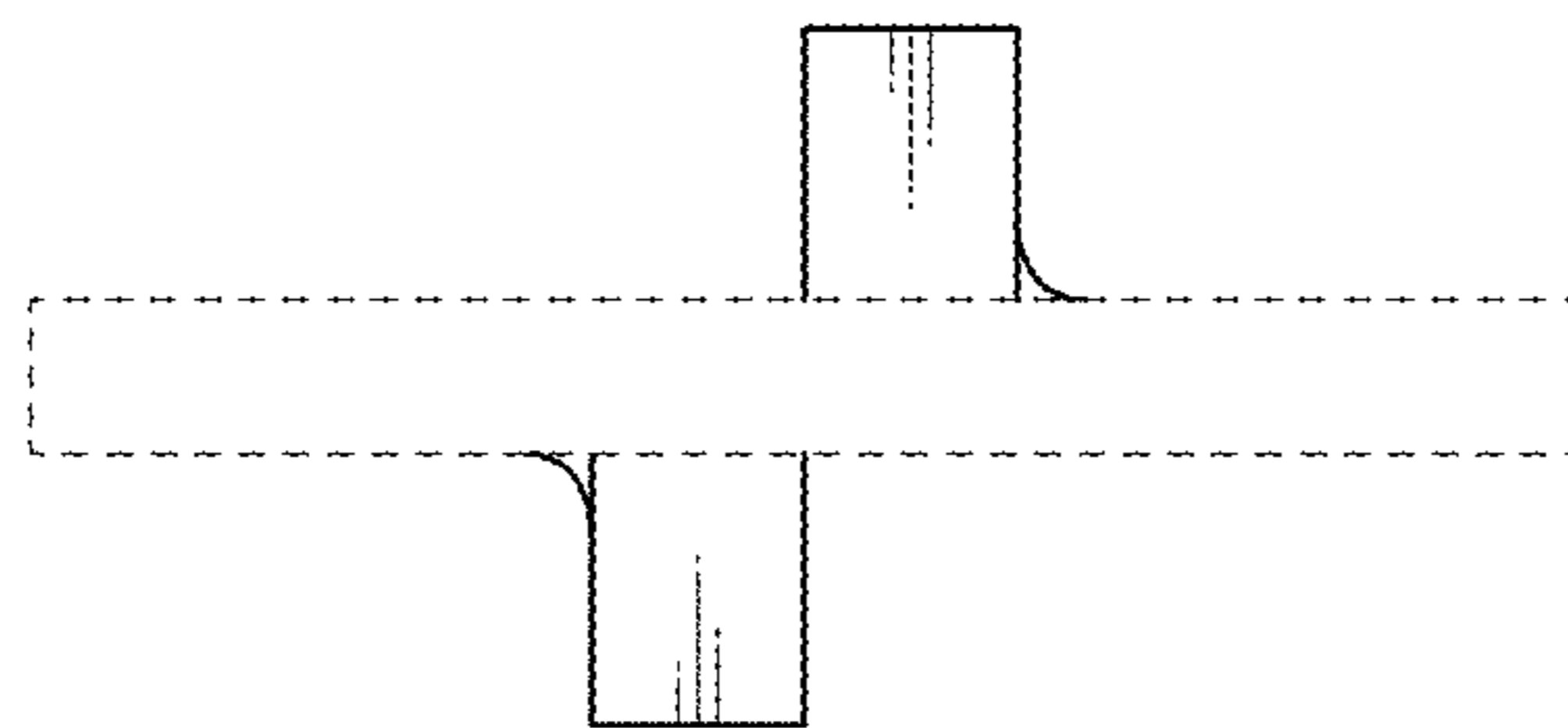


Fig. 8