



US00D775591S

(12) **United States Design Patent**
Davidson, Jr.

(10) **Patent No.:** **US D775,591 S**
(45) **Date of Patent:** **** Jan. 3, 2017**

- (54) **MICRO COAXIAL CONNECTOR**
- (71) Applicant: **PerfectVision Manufacturing, Inc.**,
Little Rock, AR (US)
- (72) Inventor: **Charles Darwin Davidson, Jr.**, Little
Rock, AR (US)
- (73) Assignee: **PERFECTVISION**
MANUFACTURING, INC., Little
Rock, AR (US)
- (**) Term: **15 Years**
- (21) Appl. No.: **29/532,458**
- (22) Filed: **Jul. 7, 2015**
- (51) **LOC (10) Cl.** **13-03**
- (52) **U.S. Cl.**
USPC **D13/153**
- (58) **Field of Classification Search**
USPC D13/133, 144, 146, 147, 148-149, 151,
D13/154, 184, 199; 439/252, 303, 476.1,
439/578, 580, 583, 584, 585, 805
CPC H01R 24/38; H01R 43/26; H01R 13/5804;
H01R 9/05; H01R 9/052; H01R 9/0521;
H01R 43/00; H01R 13/00; H01R 9/00
See application file for complete search history.

D500,475 S *	1/2005	Noro	D13/133
D572,198 S *	7/2008	Chawgo	D13/133
D600,210 S *	9/2009	Snyder	D13/133
D662,063 S *	6/2012	Eriksen	D13/151
2007/0042641 A1 *	2/2007	Pescatore	H01R 13/622 439/578
2008/0254675 A1 *	10/2008	Lee	H01B 11/1808 439/578

* cited by examiner

Primary Examiner — Wan Laymon
Assistant Examiner — Mark Booker

- (56) **References Cited**
U.S. PATENT DOCUMENTS
D451,073 S * 11/2001 Yasuda D13/133

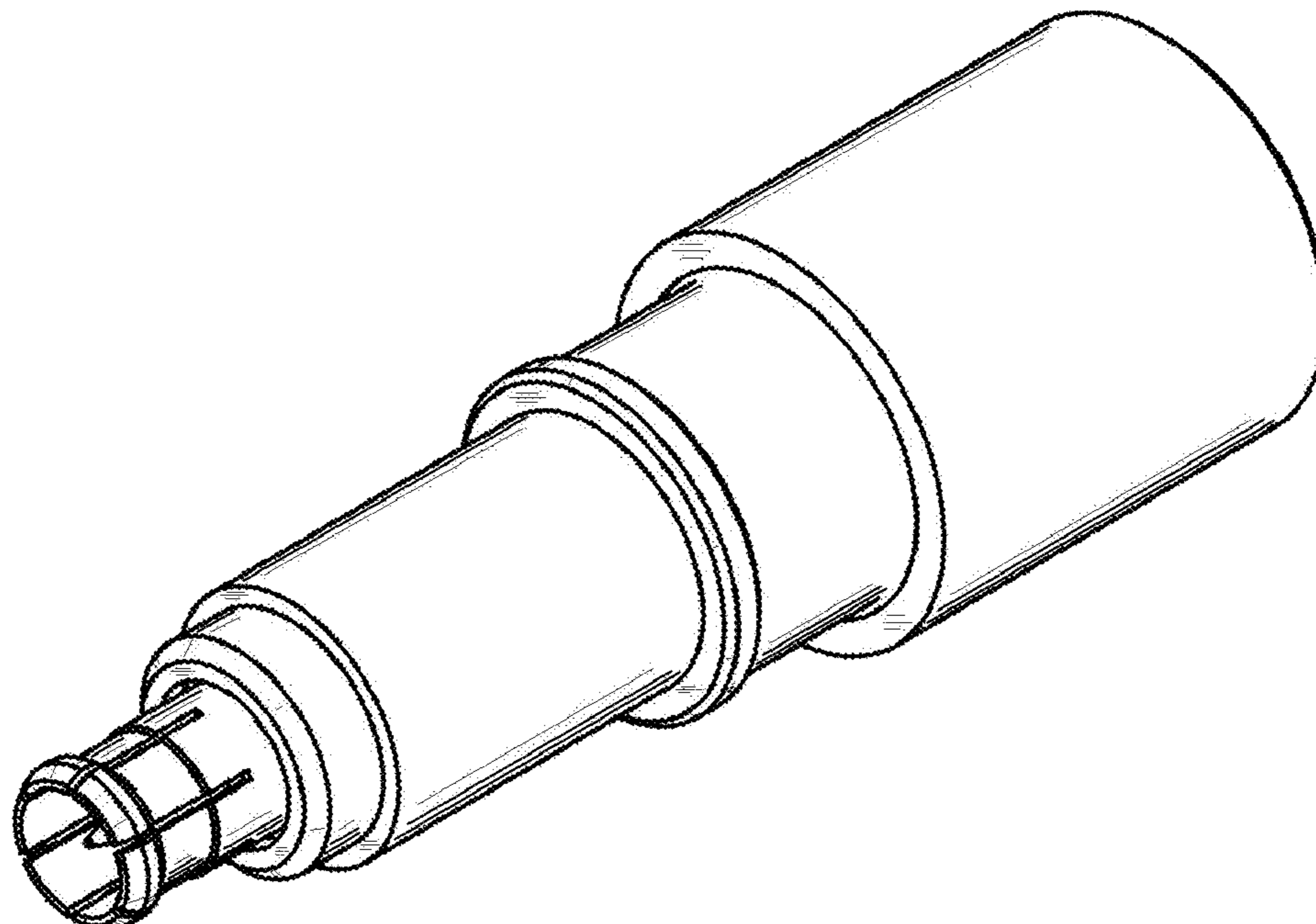
(57) **CLAIM**

The ornamental design for a micro coaxial connector, as shown and described.

DESCRIPTION

FIG. 1 is a top, side, and front perspective view of a micro coaxial connector showing my new design;
FIG. 2 is a top, side, and rear perspective view thereof;
FIG. 3 is a top plain view thereof;
FIG. 4 is right elevational view thereof;
FIG. 5 is a front end view thereof; and,
FIG. 6 is a rear end view thereof.

1 Claim, 3 Drawing Sheets



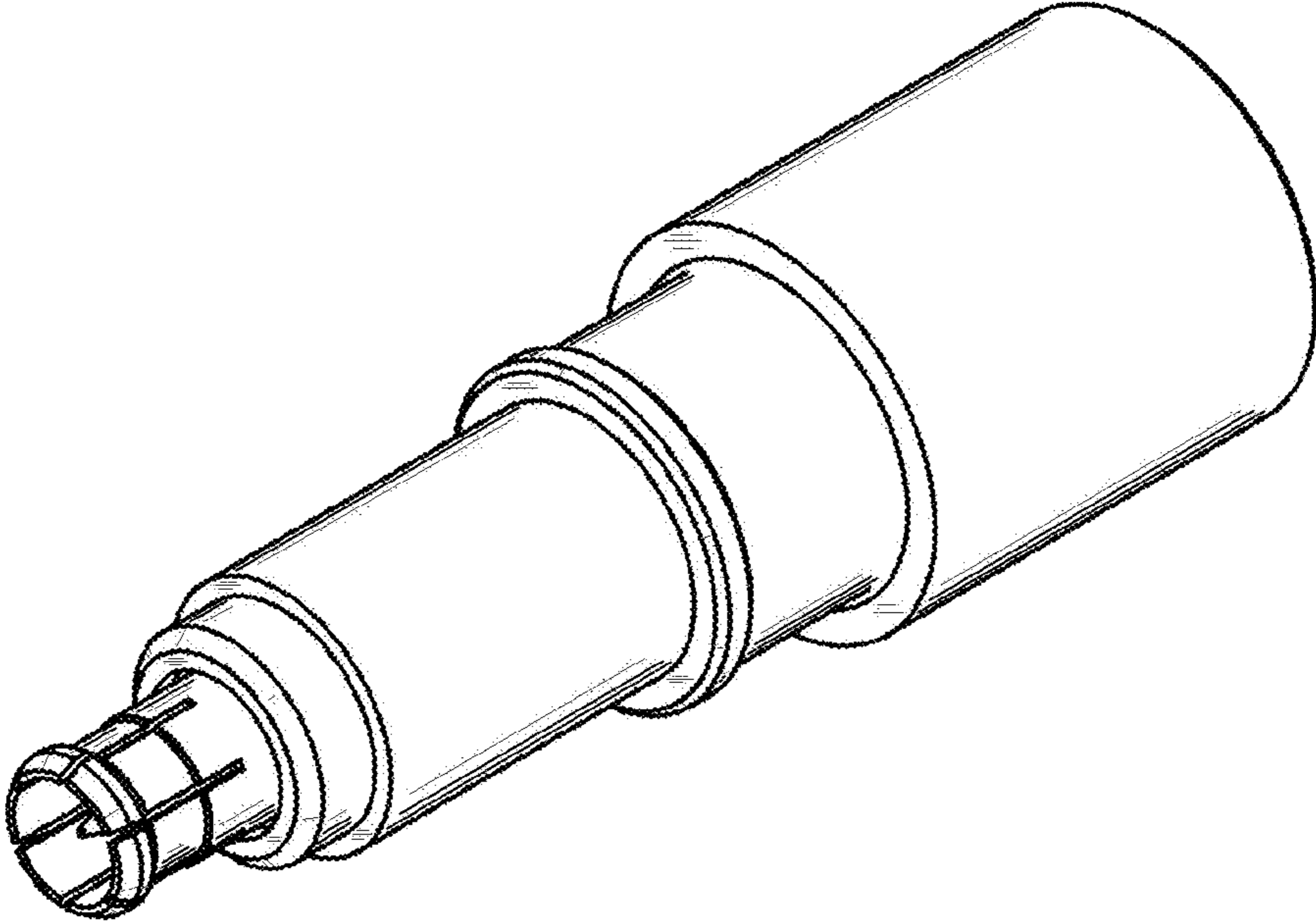


FIG. 1

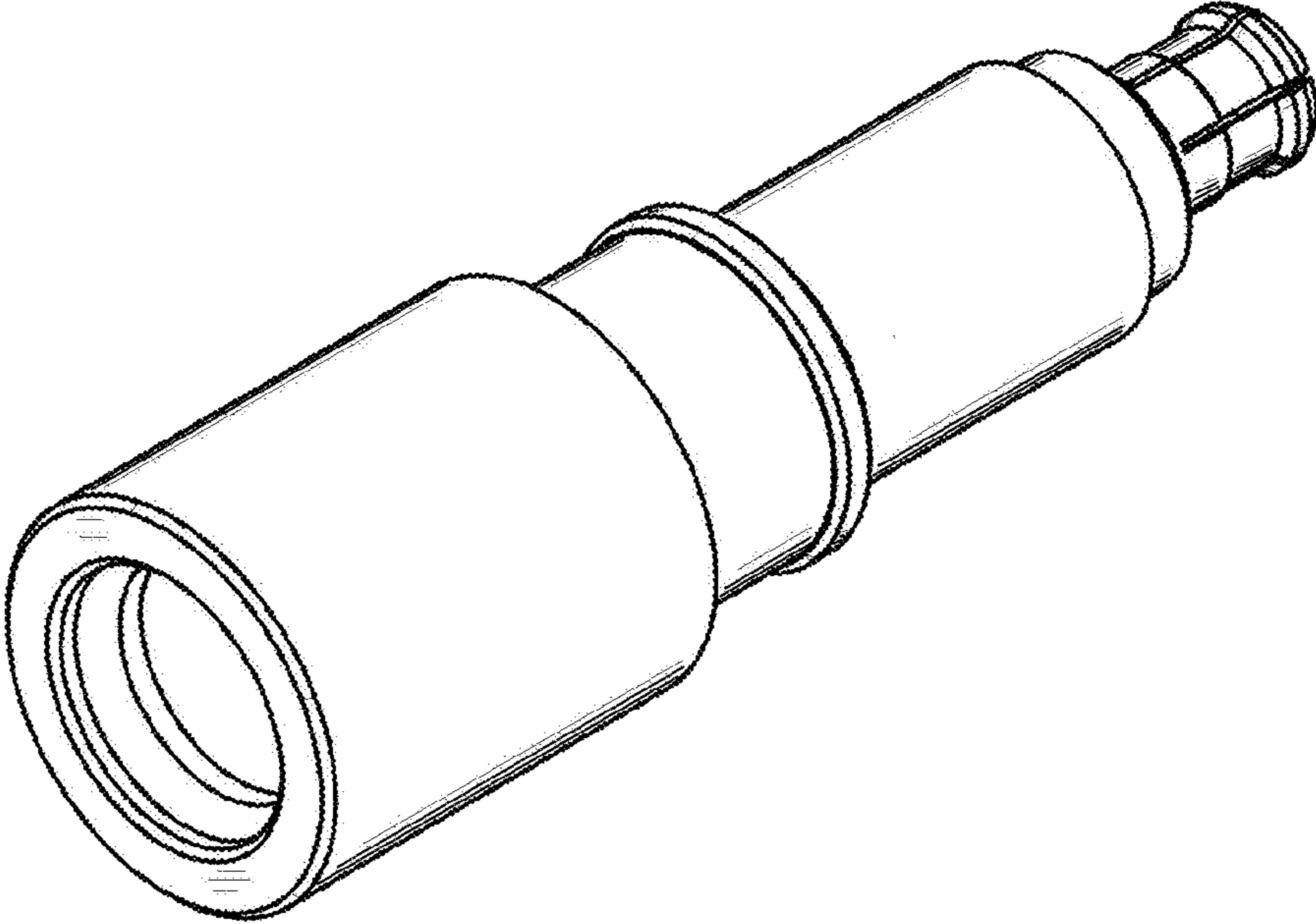


FIG. 2

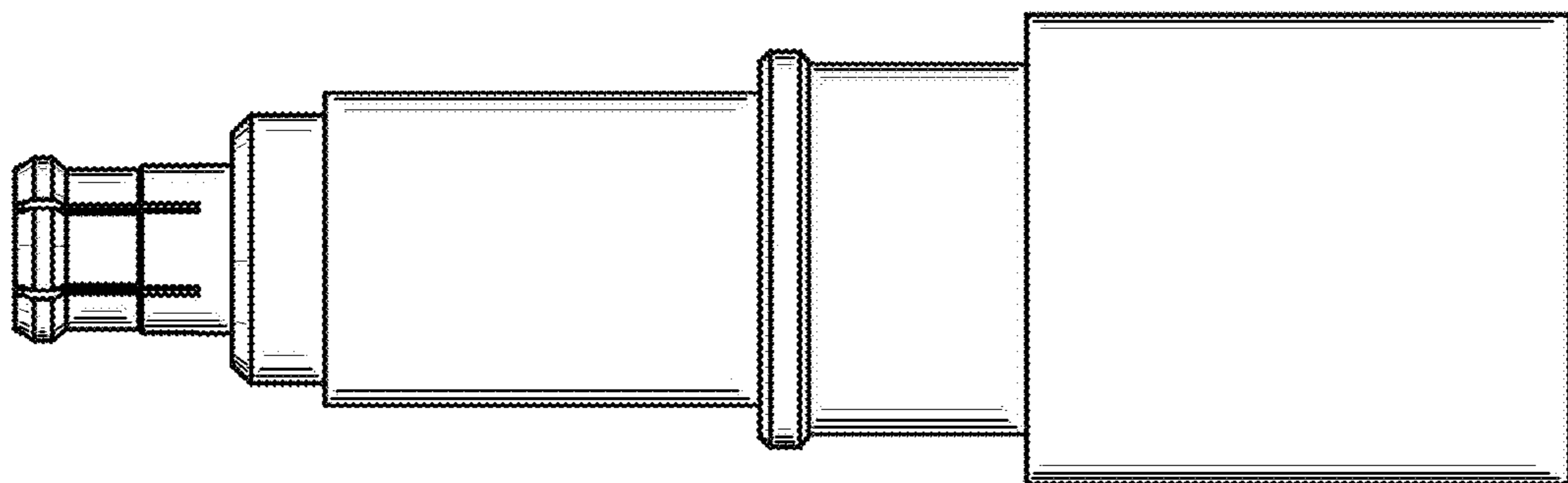


FIG. 3

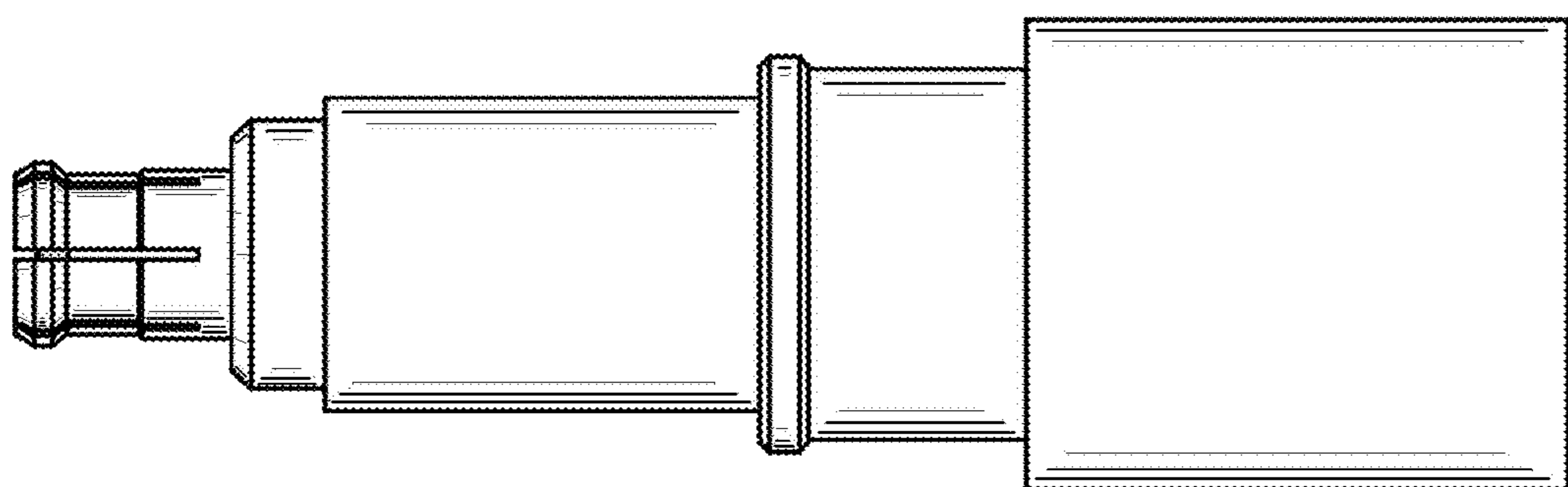


FIG. 4

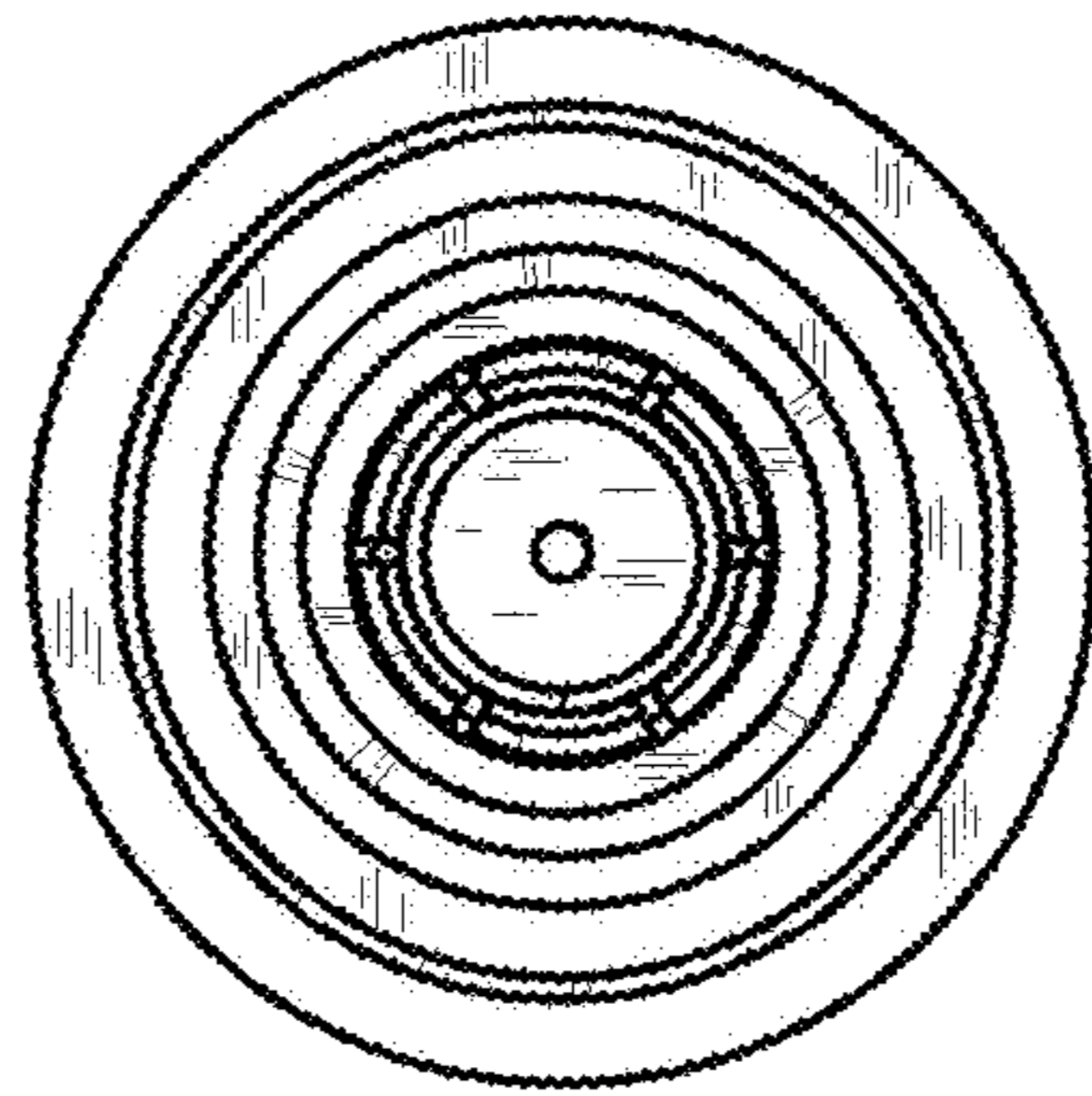


FIG. 5

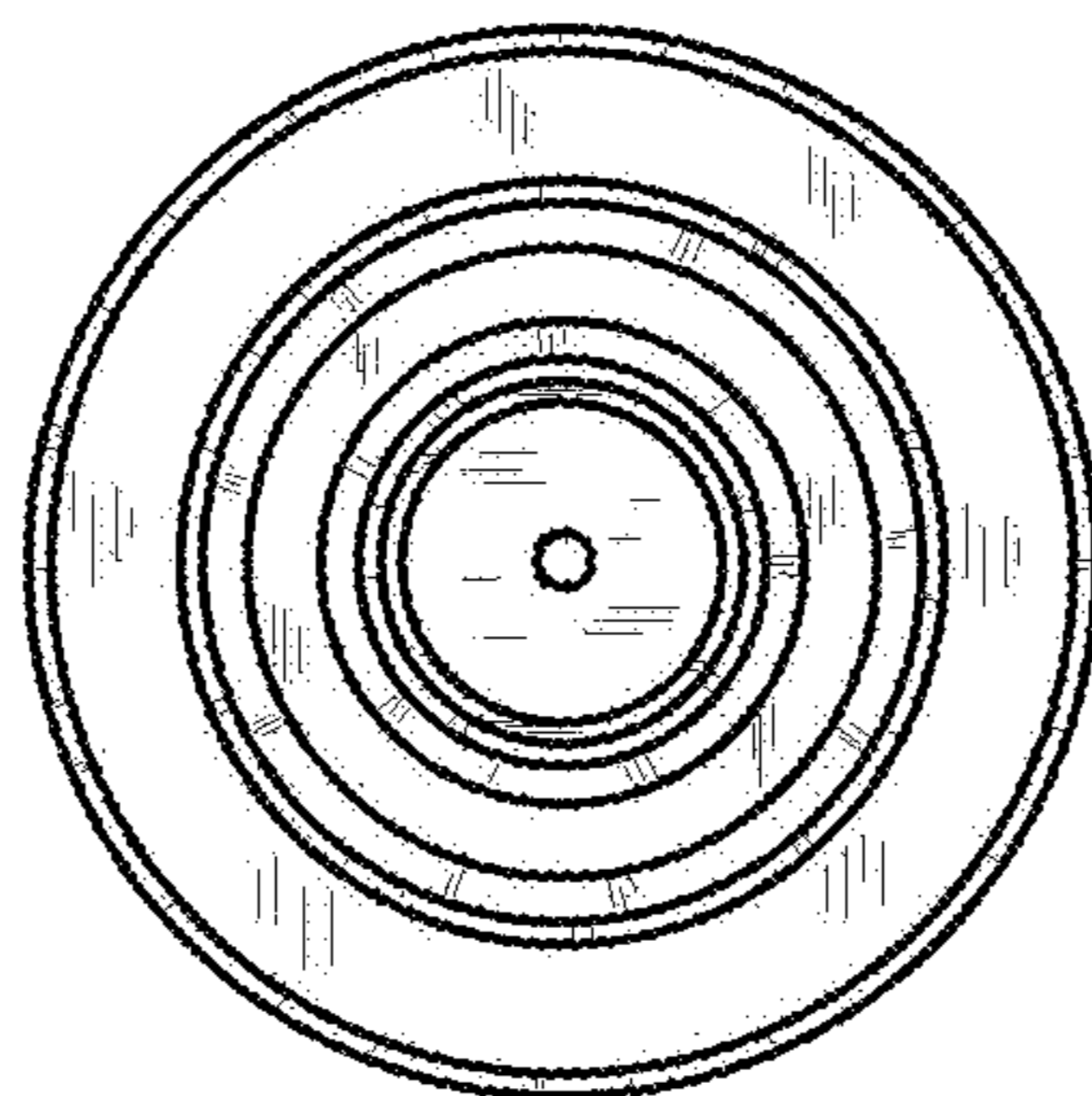


FIG. 6