



US00D775590S

(12) **United States Design Patent** (10) **Patent No.:** **US D775,590 S**  
**Smith** (45) **Date of Patent:** **\*\* Jan. 3, 2017**

(54) **ELECTRICAL FITTING FOR  
NON-METALLIC ELECTRICAL CABLE**

7,078,623 B1 7/2006 Sheehan  
7,151,223 B2 12/2006 Auray et al.  
7,154,042 B2 12/2006 Auray et al.

(Continued)

(71) Applicant: **Bridgeport Fittings, Inc.**, Stratford, CT  
(US)

**FOREIGN PATENT DOCUMENTS**

(72) Inventor: **Lawrence J. Smith**, Stamford, CT (US)

AU 2002219381 B2 9/2002  
CN 203241572 U 10/2013  
DE 3605063 C1 10/1987

(73) Assignee: **BRIDGEPORT FITTINGS, INC.**,  
Stratford, CT (US)

**OTHER PUBLICATIONS**

(\*\*) Term: **14 Years**

PVC Non-Metallic (NM) Cable Connector; printed from Home/  
Electrical Fittings/Cable & Cord Connectors/PVC Non-Metallic  
(NM) Cable Connector; product listing (prior to Apr. 7, 2015).

(Continued)

(21) Appl. No.: **29/523,154**

(22) Filed: **Apr. 7, 2015**

(51) **LOC (10) Cl.** ..... **13-03**

*Primary Examiner* — Daniel Bui

(52) **U.S. Cl.**  
USPC ..... **D13/147**

(74) *Attorney, Agent, or Firm* — Ware, Fressola, Maguire  
& Barber LLP

(58) **Field of Classification Search**  
USPC ..... D13/133, 146, 147, 154, 184, 199  
CPC ..... H01R 4/48; H01R 4/64; H01R 13/44;  
H02G 3/04; H02G 3/06; H02G  
3/18; H02G 3/22

**CLAIM**

The ornamental design for an electrical fitting for non-  
metallic electrical cable, as shown and described.

See application file for complete search history.

**DESCRIPTION**

FIG. 1 is a top, front and right side perspective view of an  
electrical fitting for non-metallic electrical cable showing  
my new design;

FIG. 2 is a top plan view thereof;

FIG. 3 is a right side elevation view thereof, the left side  
elevation view being a mirror image thereof;

FIG. 4 is a bottom plan view thereof;

FIG. 5 is a rear elevation view thereof;

FIG. 6 is a front elevation view thereof; and,

FIG. 7 is a right side elevation view thereof.

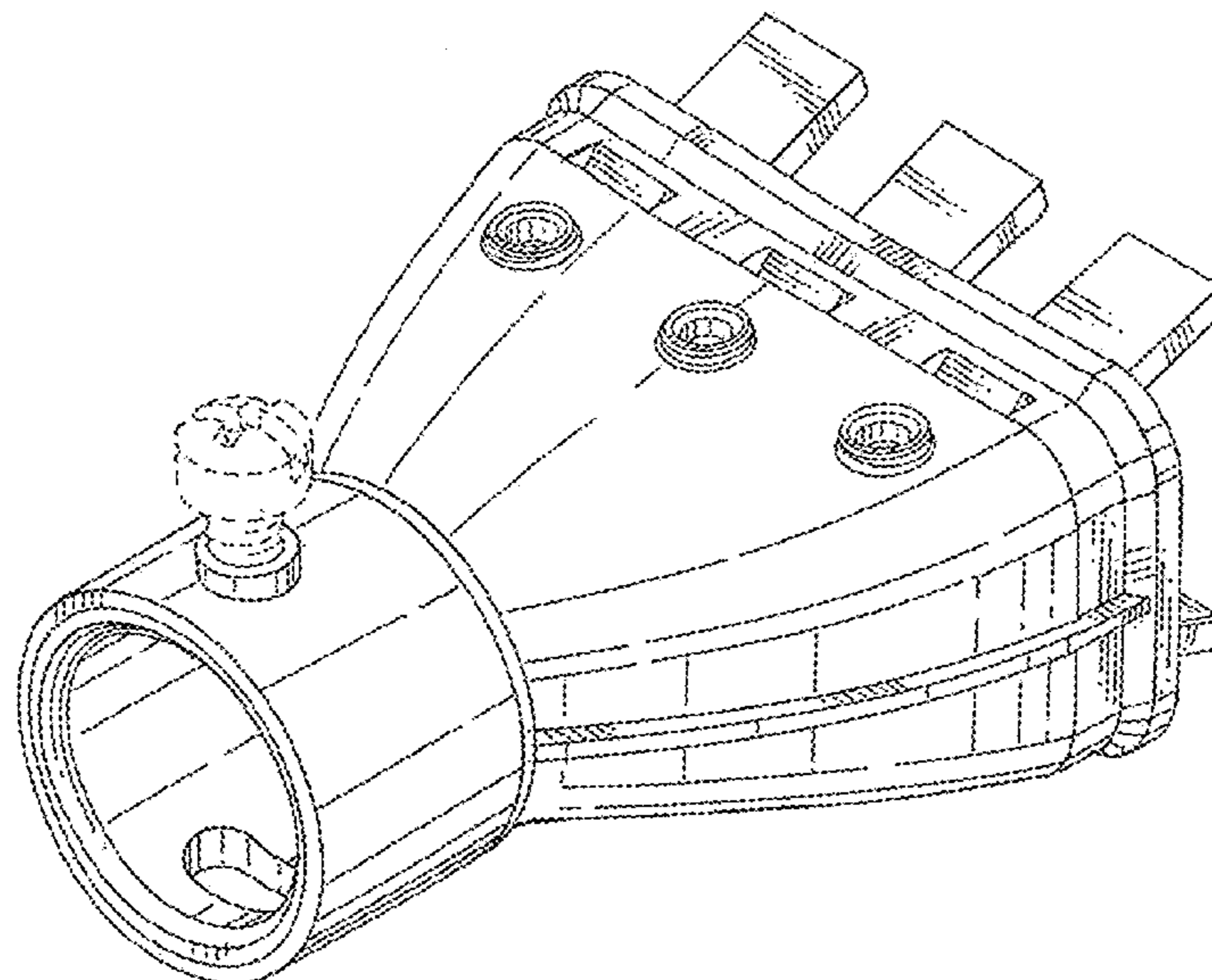
The broken line in the figure drawing views is included for  
the purpose of illustrating unclaimed environment and forms  
no part of the claimed design.

(56) **References Cited**

**U.S. PATENT DOCUMENTS**

3,306,638 A 2/1967 Rubin  
4,169,572 A 10/1979 Simon  
5,374,017 A 12/1994 Martin et al.  
5,799,984 A 9/1998 Reynolds, Jr.  
5,912,431 A 6/1999 Sheehan  
6,352,439 B1 3/2002 Stark et al.  
6,916,988 B1 7/2005 Auray et al.  
7,005,581 B2 2/2006 Burnette  
7,057,107 B2 6/2006 Auray et al.  
7,064,272 B2 6/2006 Auray et al.  
7,075,007 B2 7/2006 Auray et al.

**1 Claim, 4 Drawing Sheets**



(56)

**References Cited**

U.S. PATENT DOCUMENTS

7,205,489	B2	4/2007	Auray et al.	
7,211,744	B2	5/2007	Jorgensen	
7,304,251	B1	12/2007	Gretz	
7,358,448	B2	4/2008	Auray et al.	
7,488,905	B2	2/2009	Kiely et al.	
7,615,714	B2	11/2009	Pyron et al.	
7,723,623	B2	5/2010	Kiely et al.	
7,820,922	B2	10/2010	Auray et al.	
D636,346	S *	4/2011	Svelnis .....	D13/154
7,952,034	B2	5/2011	Kiely et al.	
D639,250	S *	6/2011	Svelnis .....	D13/154
D643,371	S *	8/2011	Svelnis .....	D13/154
8,119,933	B2	2/2012	Auray et al.	
8,124,891	B1	2/2012	Gretz	
8,253,043	B1	8/2012	Kiely	
D679,662	S *	4/2013	Svelnis .....	D13/133
D699,195	S *	2/2014	Smith .....	D13/155
8,857,039	B2	10/2014	Sathyanarayana et al.	
D729,169	S *	5/2015	Corona .....	D13/146
D755,728	S *	5/2016	Smith .....	D13/155
2010/0084854	A1	4/2010	Sathyanarayana et al.	
2013/0157491	A1	6/2013	Chavan et al.	

OTHER PUBLICATIONS

New Products: Duplex Connector, Cable Pulling Grips & More; Whipper Snap design (Bridgeport Fittings); Electrical Construction and Maintenance; Jun. 22, 2012.

Wire Connector Set; <http://www.seedstudio.com/depot/>; product page (prior to Apr. 7, 2015).

\* cited by examiner

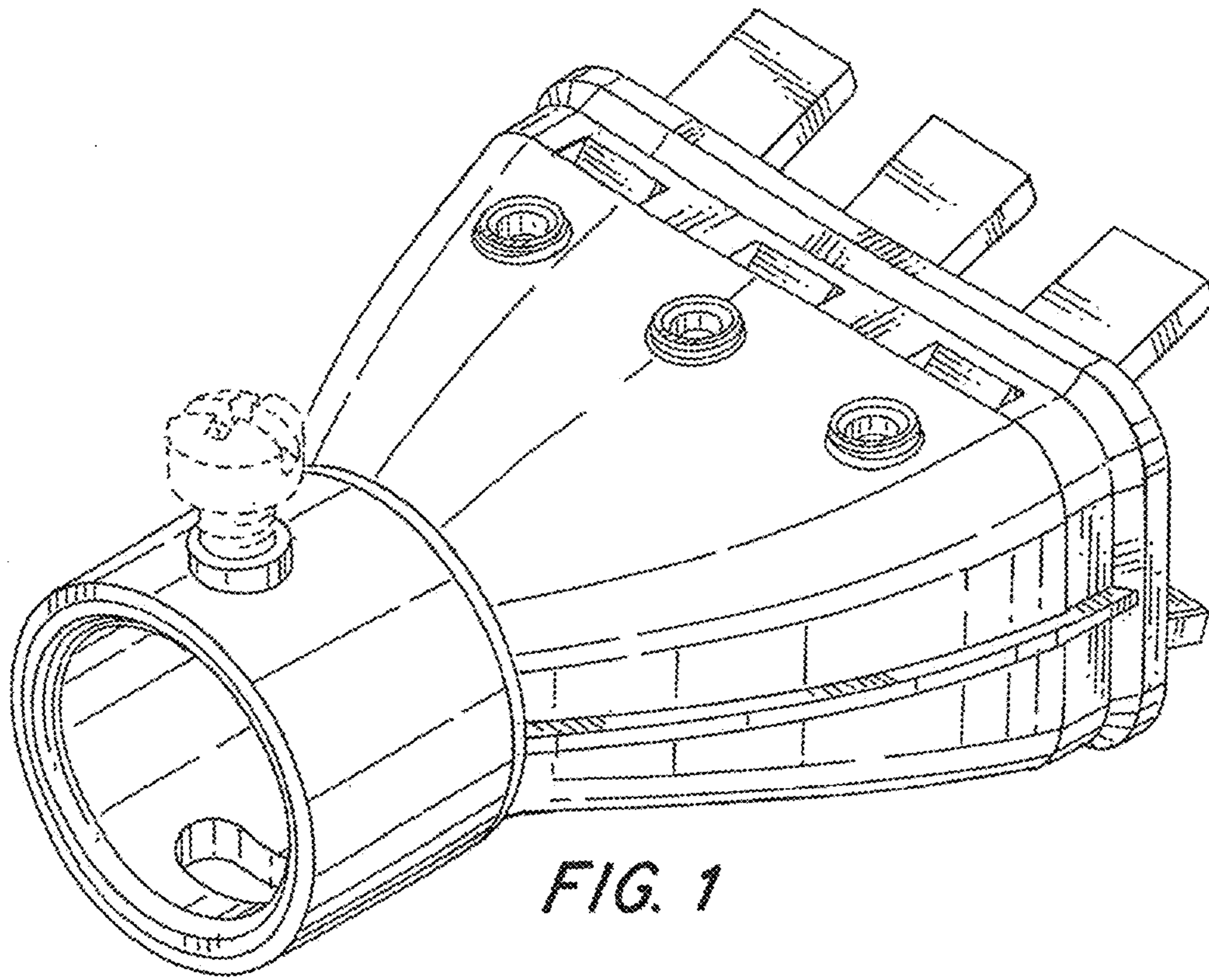


FIG. 1

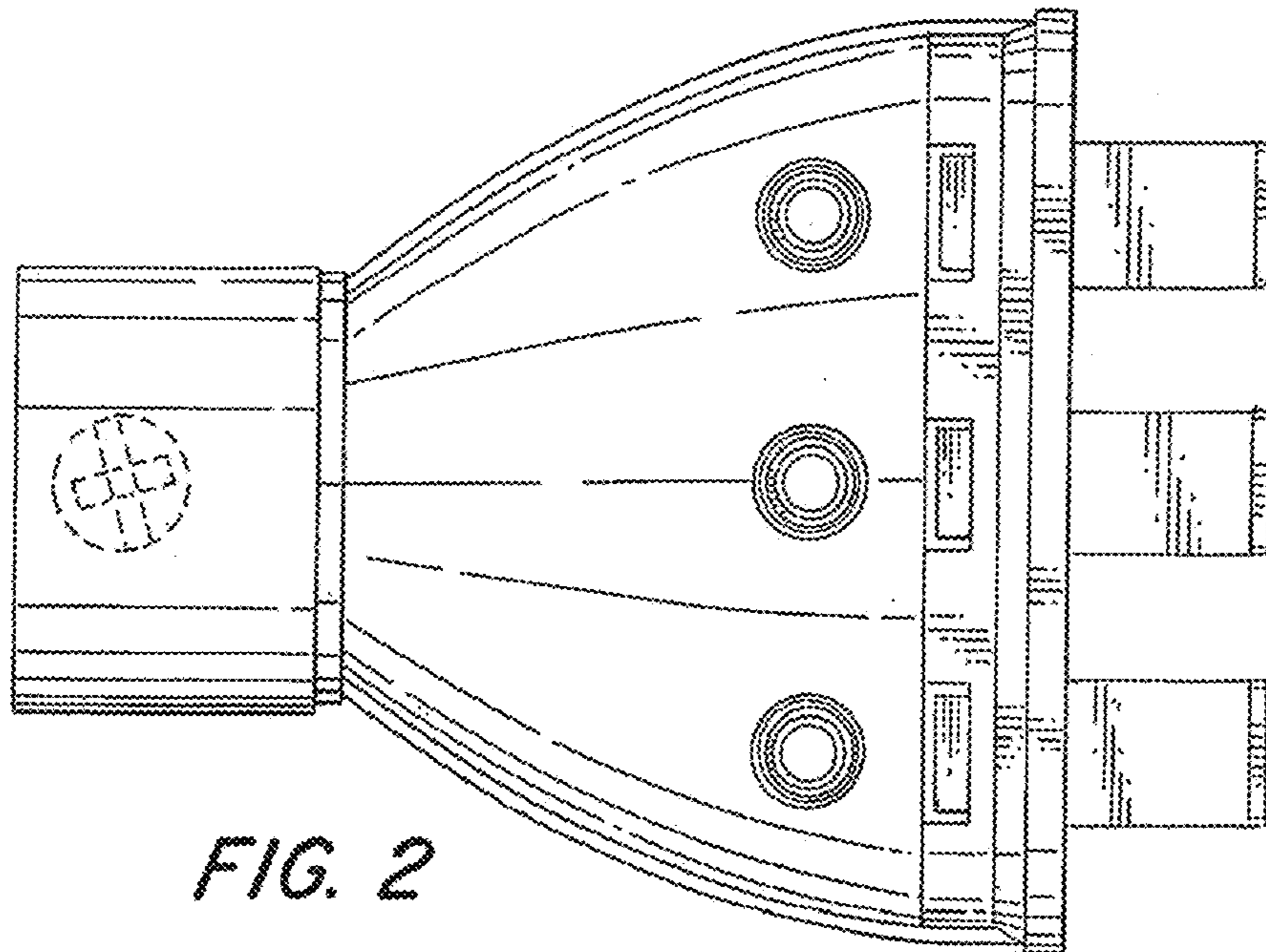
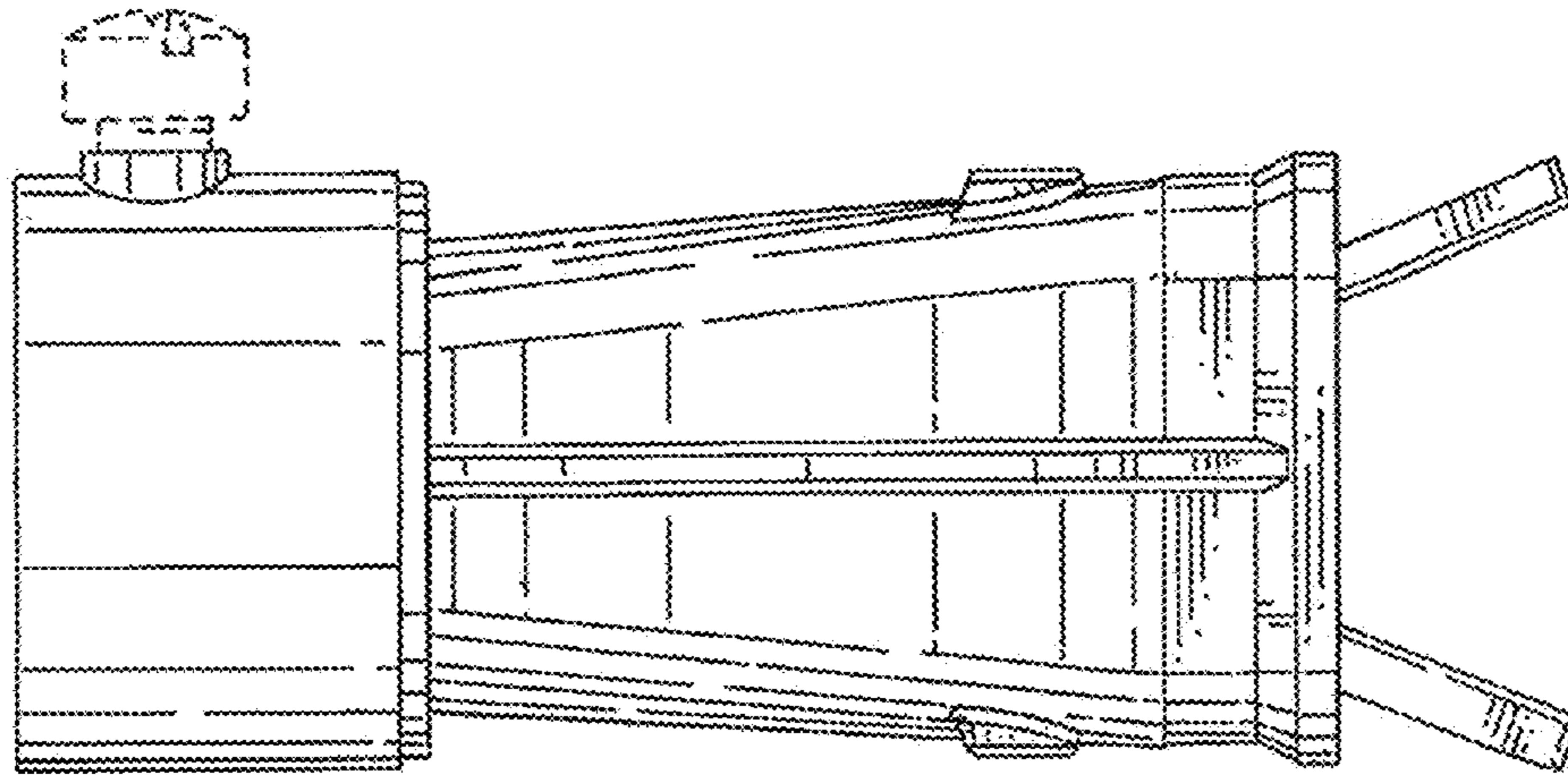
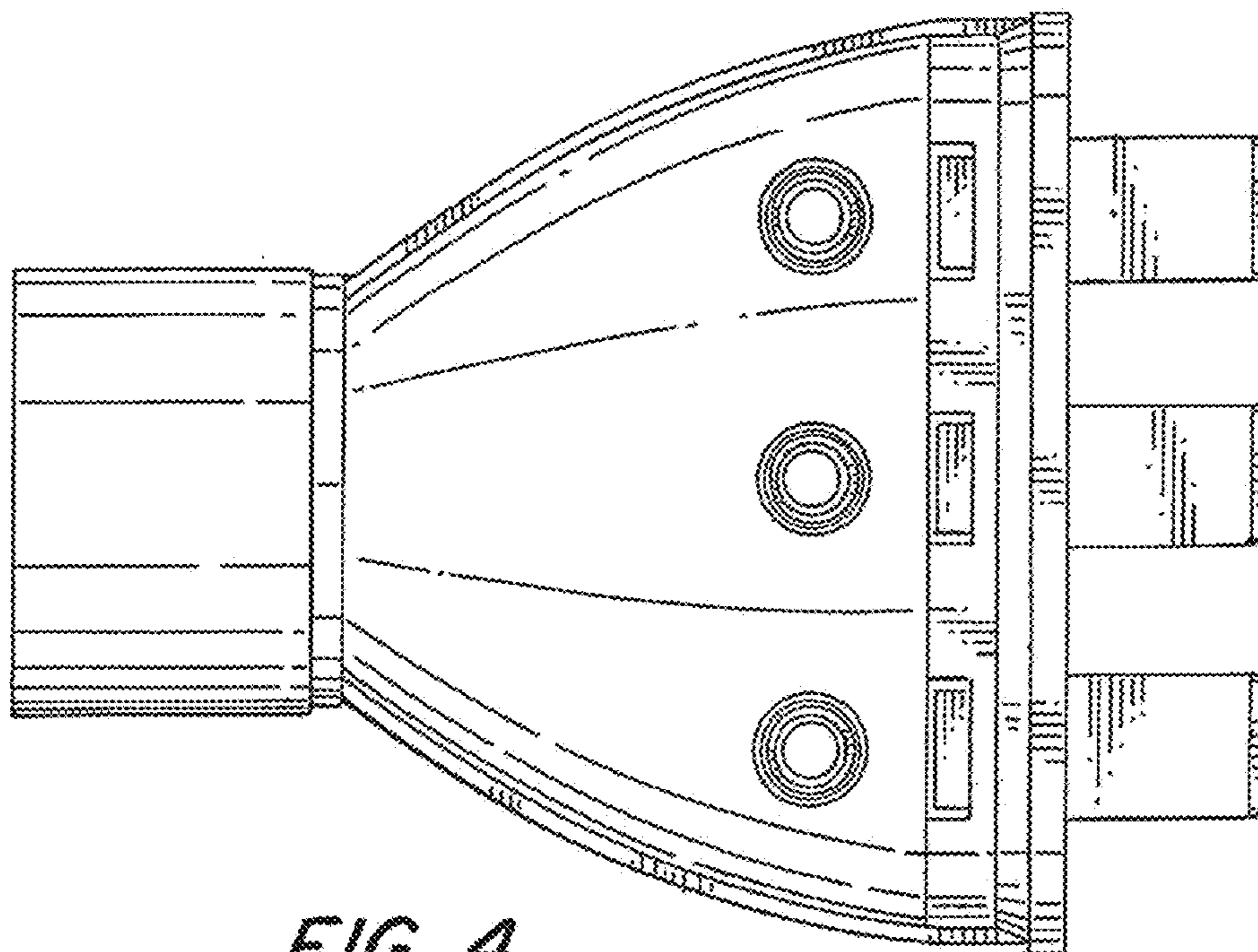


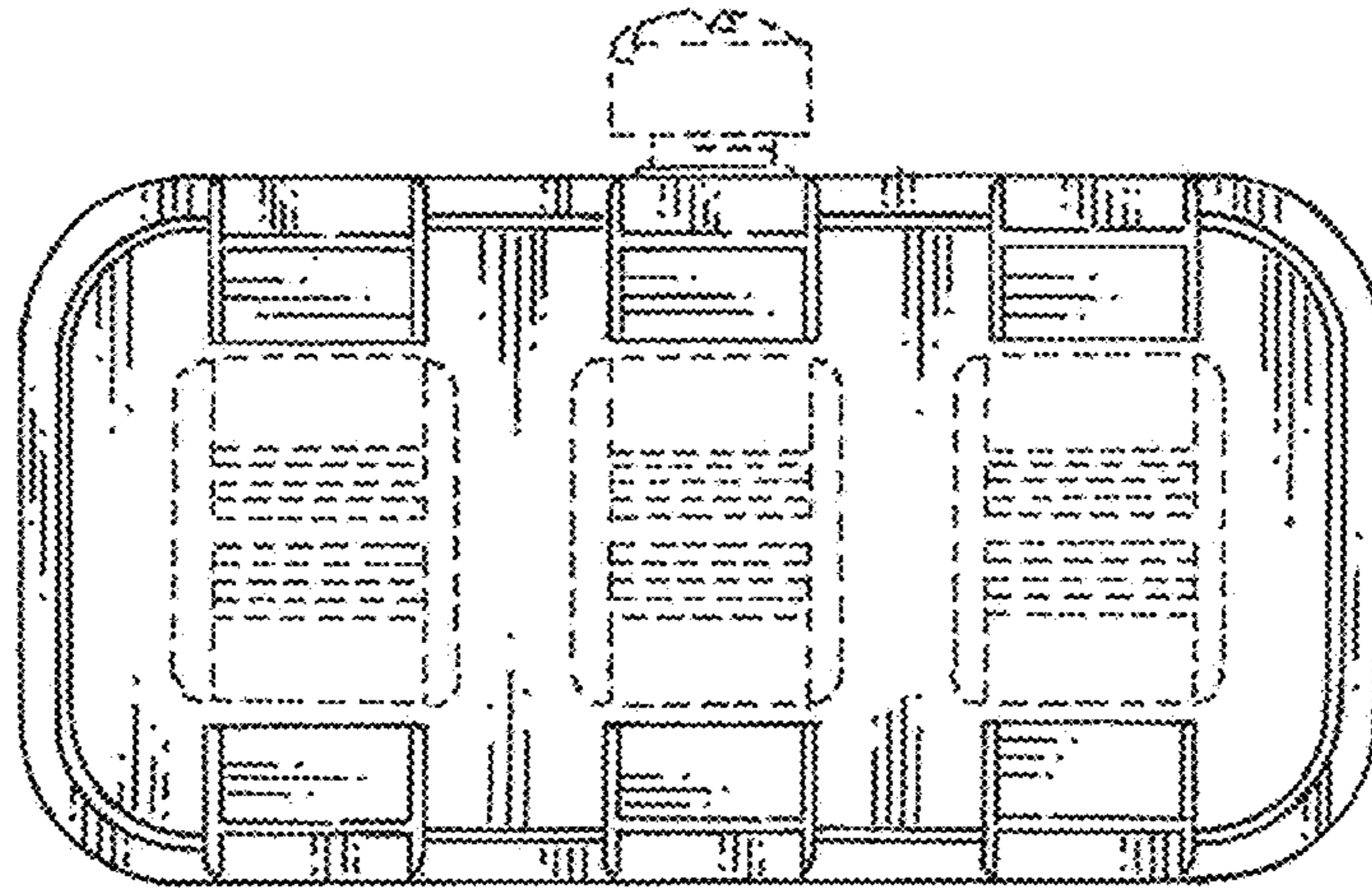
FIG. 2



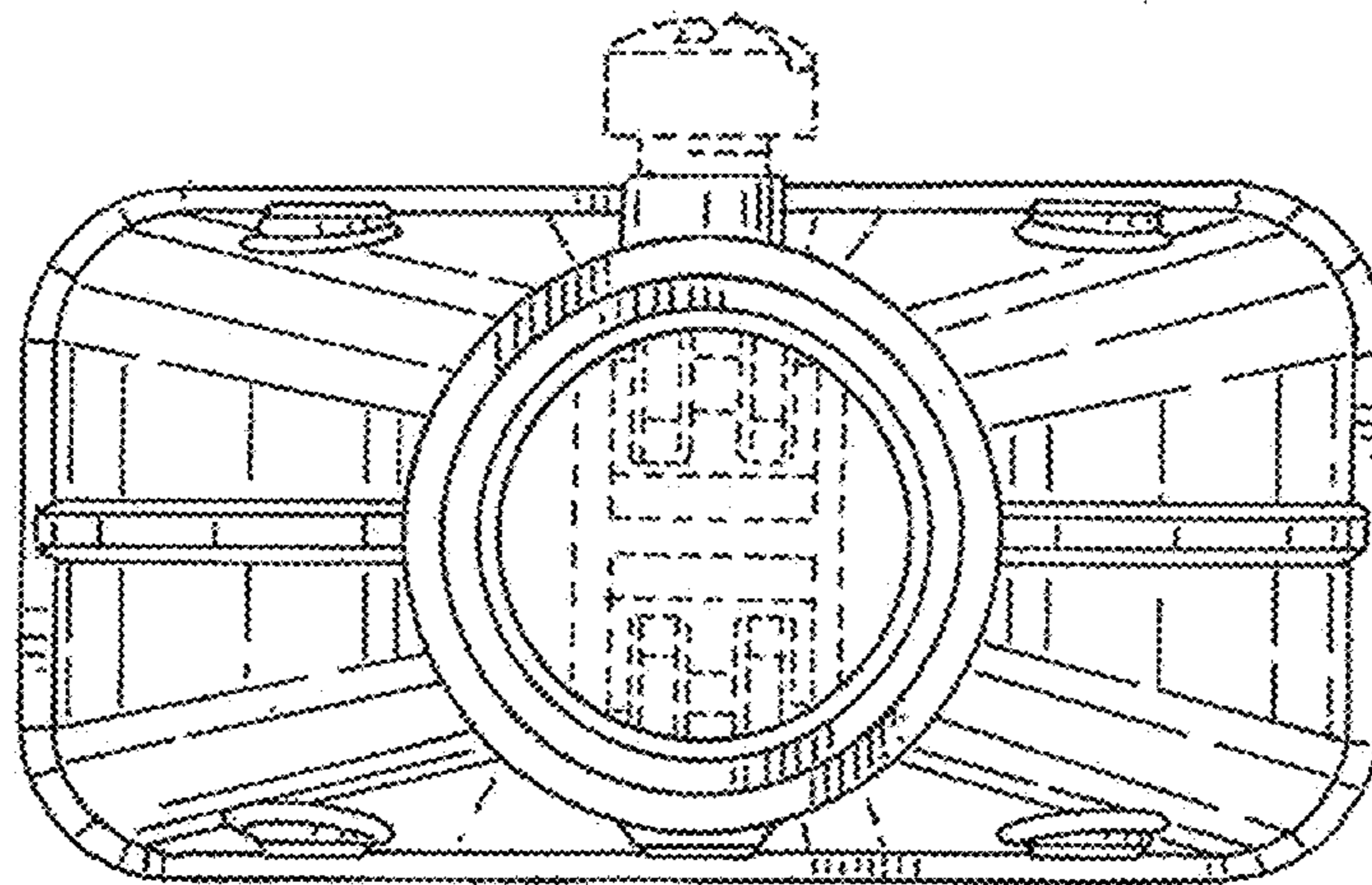
*FIG. 3*



*FIG. 4*



*FIG. 5*



*FIG. 6*

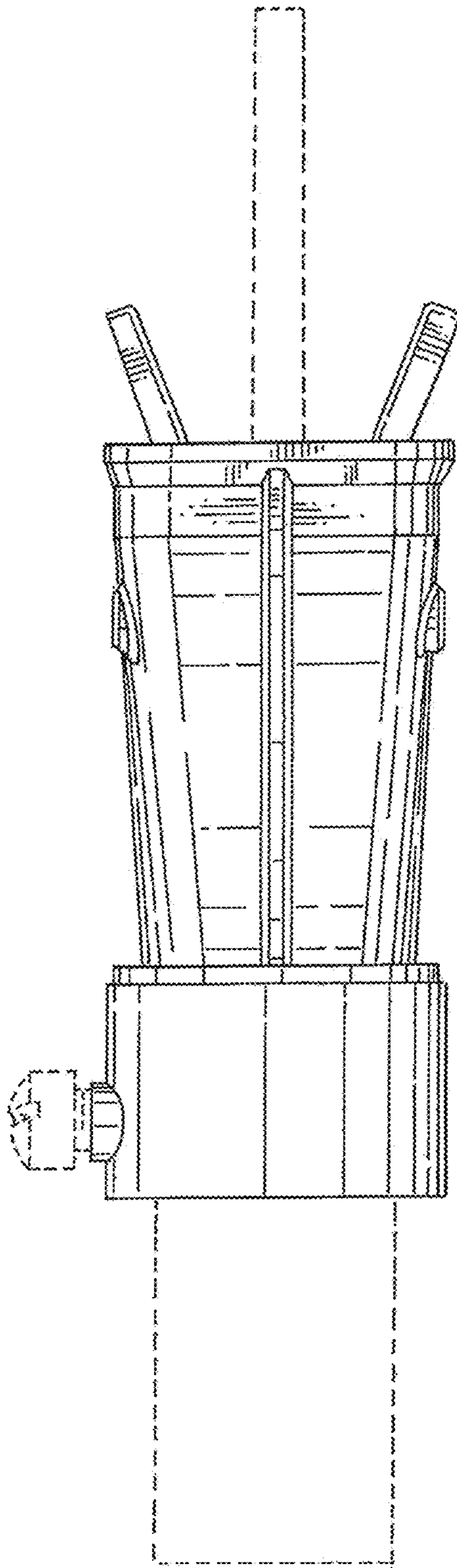


FIG. 7