



US00D775588S

(12) **United States Design Patent**
Xu

(10) **Patent No.:** **US D775,588 S**

(45) **Date of Patent:** **** Jan. 3, 2017**

(54) **POWER SOCKET**

(71) Applicant: **Guangdong BESTEK E-commerce Co., Ltd.**, Shenzhen (CN)

(72) Inventor: **Xinhua Xu**, Shenzhen (CN)

(**) Term: **15 Years**

(21) Appl. No.: **29/535,944**

(22) Filed: **Aug. 12, 2015**

(51) **LOC (10) Cl.** **13-03**

(52) **U.S. Cl.**
USPC **D13/137.2**

(58) **Field of Classification Search**
USPC D13/137.1-137.4, 138.1-138.2,
D13/139.1-139.8, 123; D10/40; 174/50;
439/620.08

CPC H01R 13/719; H01R 25/006
See application file for complete search history.

(56) **References Cited**

U.S. PATENT DOCUMENTS

D195,955 S * 8/1963 Carlson D13/137.1
D271,684 S * 12/1983 Berry, Jr. D13/123
D288,177 S * 2/1987 Yang D10/40

4,861,286 A * 8/1989 Fosnaugh H01R 13/719
439/620.08
5,566,053 A * 10/1996 Chou H01R 25/006
174/50
D379,966 S * 6/1997 Gallagher D13/137.3
D467,873 S * 12/2002 Yu D13/137.2
D575,775 S * 8/2008 Sekine D13/137.3
D705,170 S * 5/2014 Diehl D13/137.1

* cited by examiner

Primary Examiner — Rhea Shields

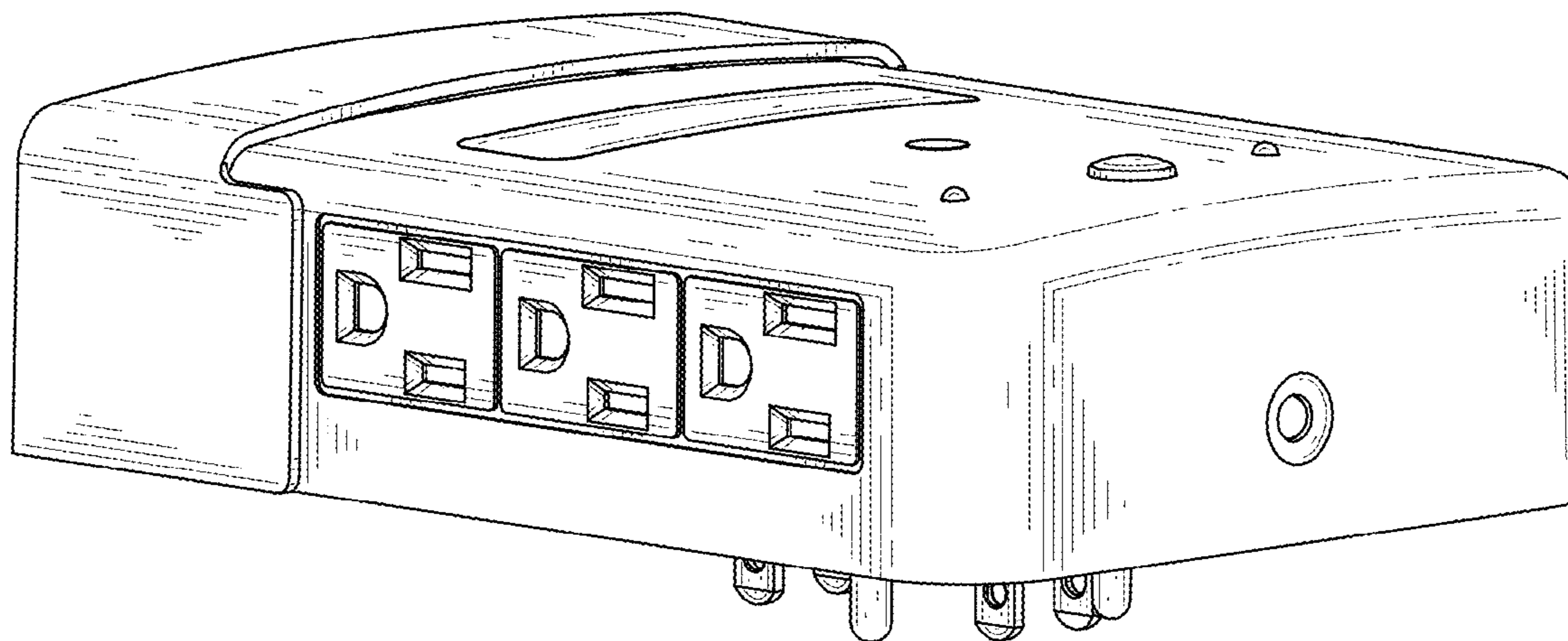
(57) **CLAIM**

The ornamental design for a power socket, as shown and described.

DESCRIPTION

FIG. 1 is a perspective view of the power socket of my new design;
FIG. 2 is a front elevational view thereof;
FIG. 3 is a rear elevational view thereof;
FIG. 4 is a left side elevational view thereof;
FIG. 5 is a right side elevational view thereof;
FIG. 6 is a top plan view thereof; and,
FIG. 7 is a bottom plan view thereof.
In FIGS. 3 and 7, the broken lines are for the purposes of illustrating environment only and form no part of claimed design.

1 Claim, 7 Drawing Sheets



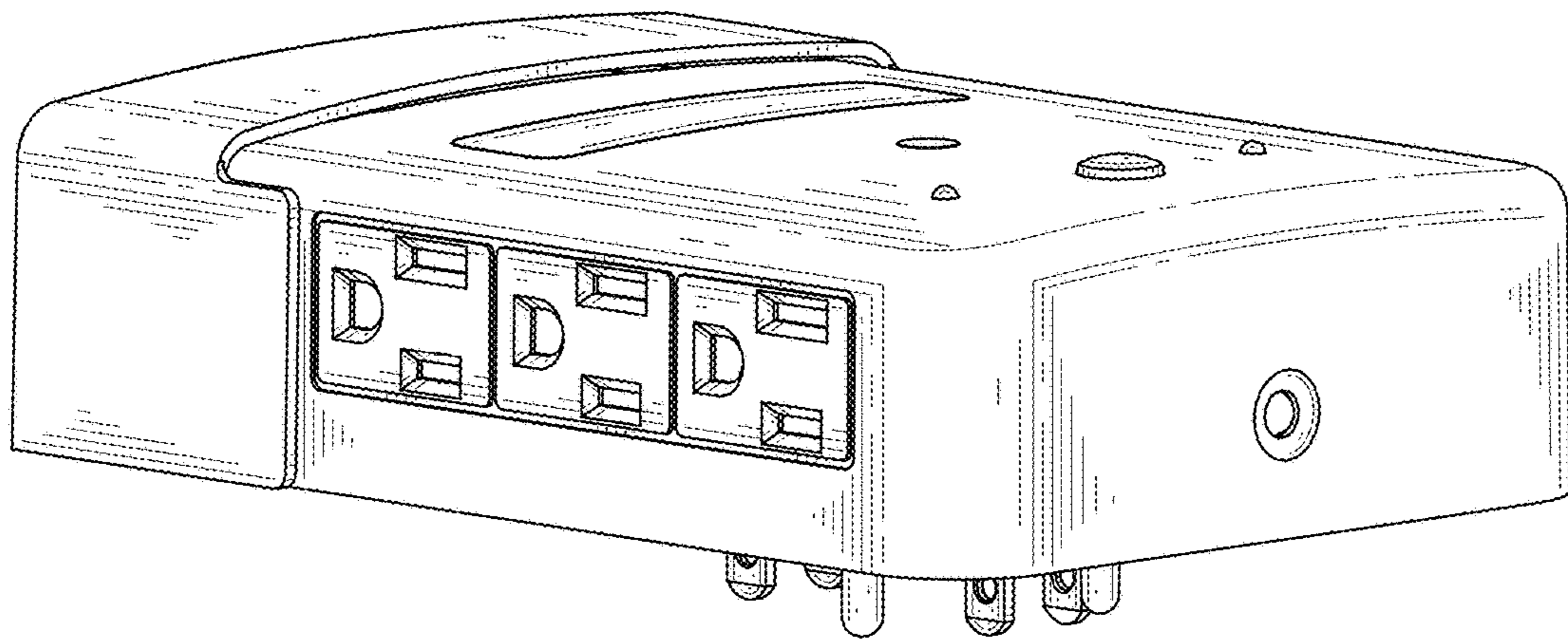


FIG. 1

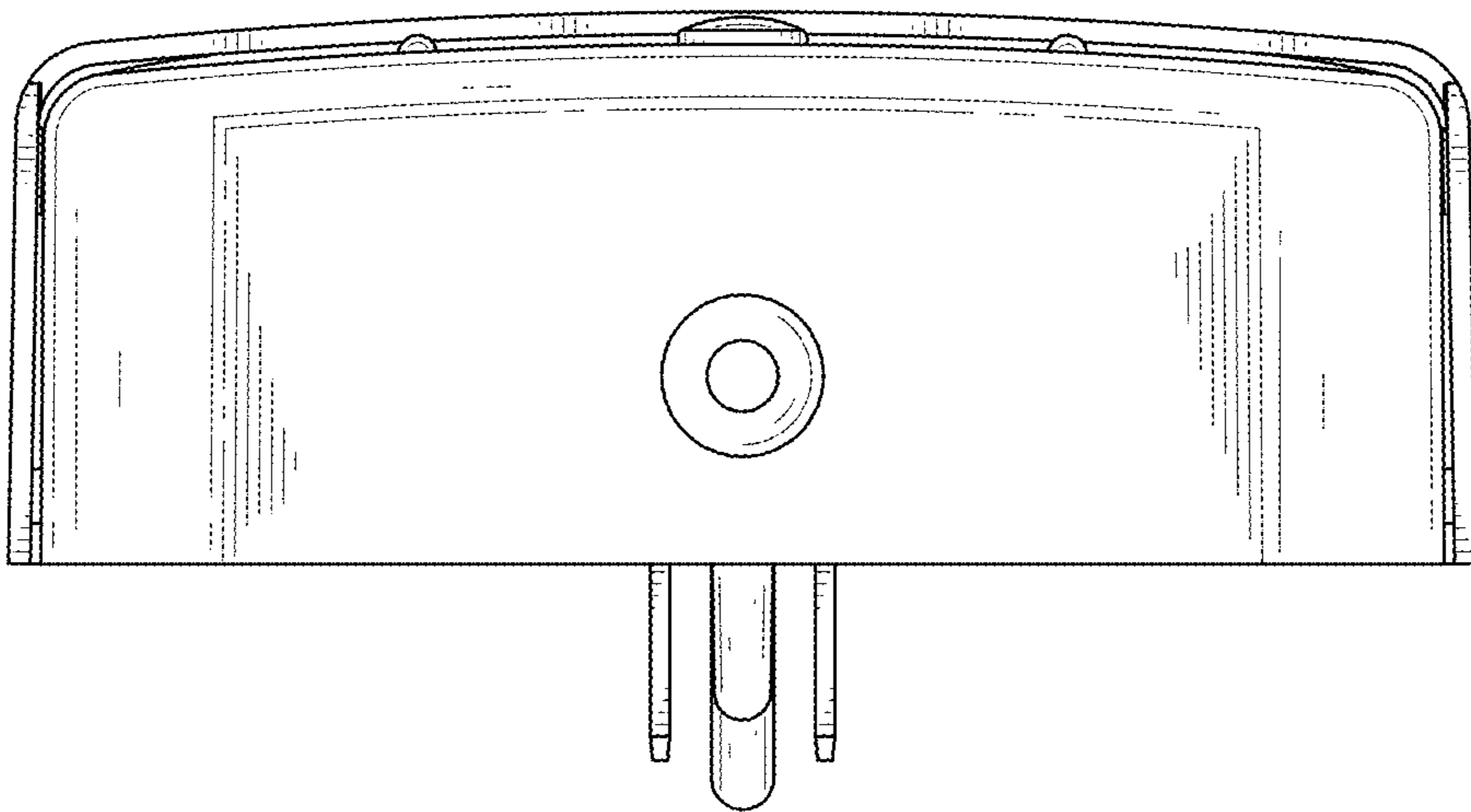


FIG. 2

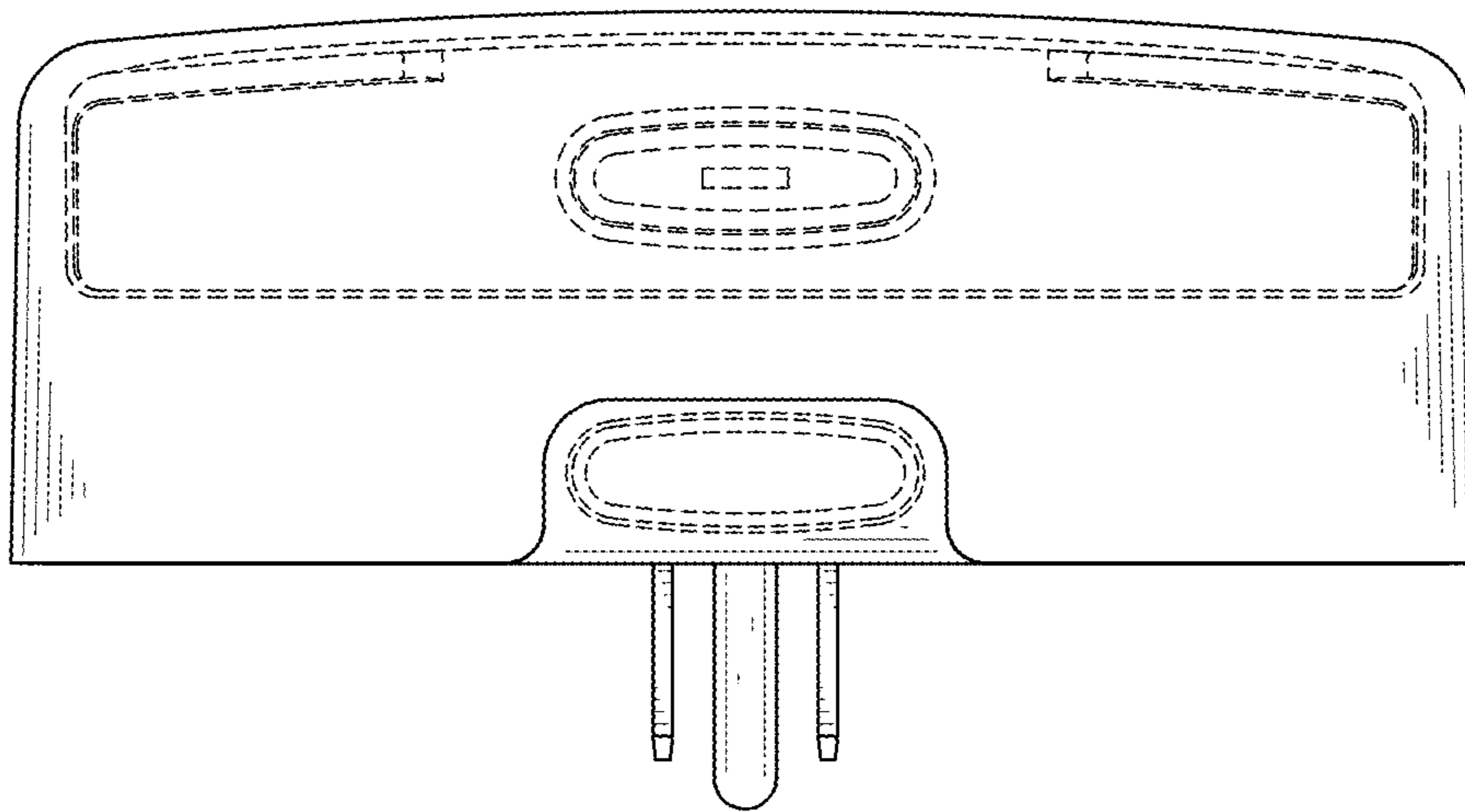


FIG. 3

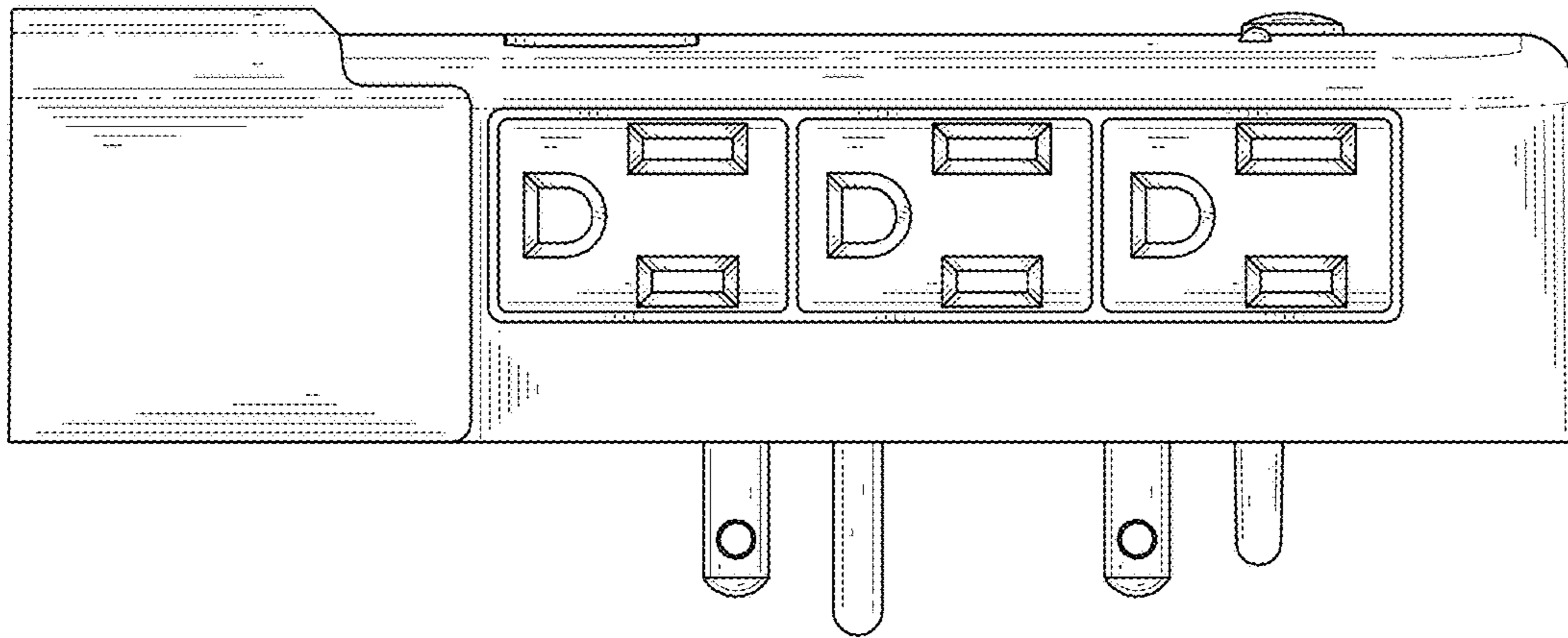


FIG. 4

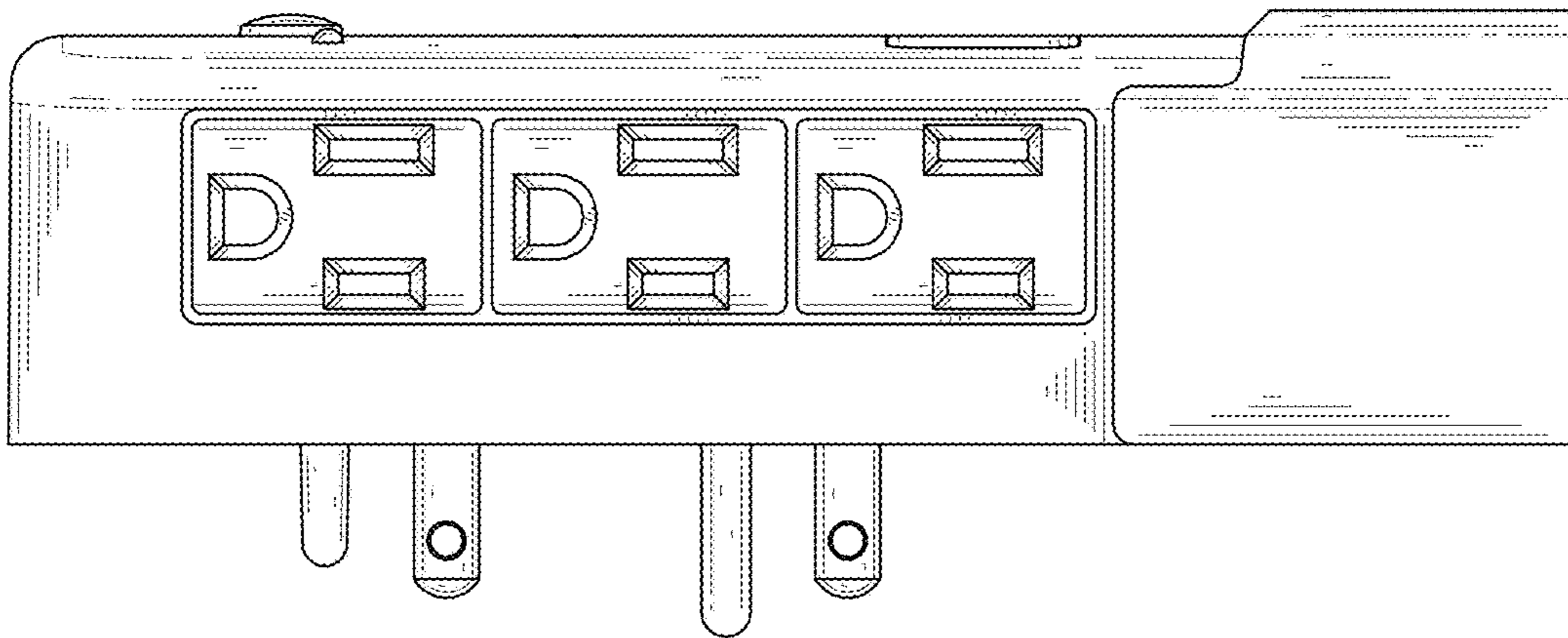


FIG. 5

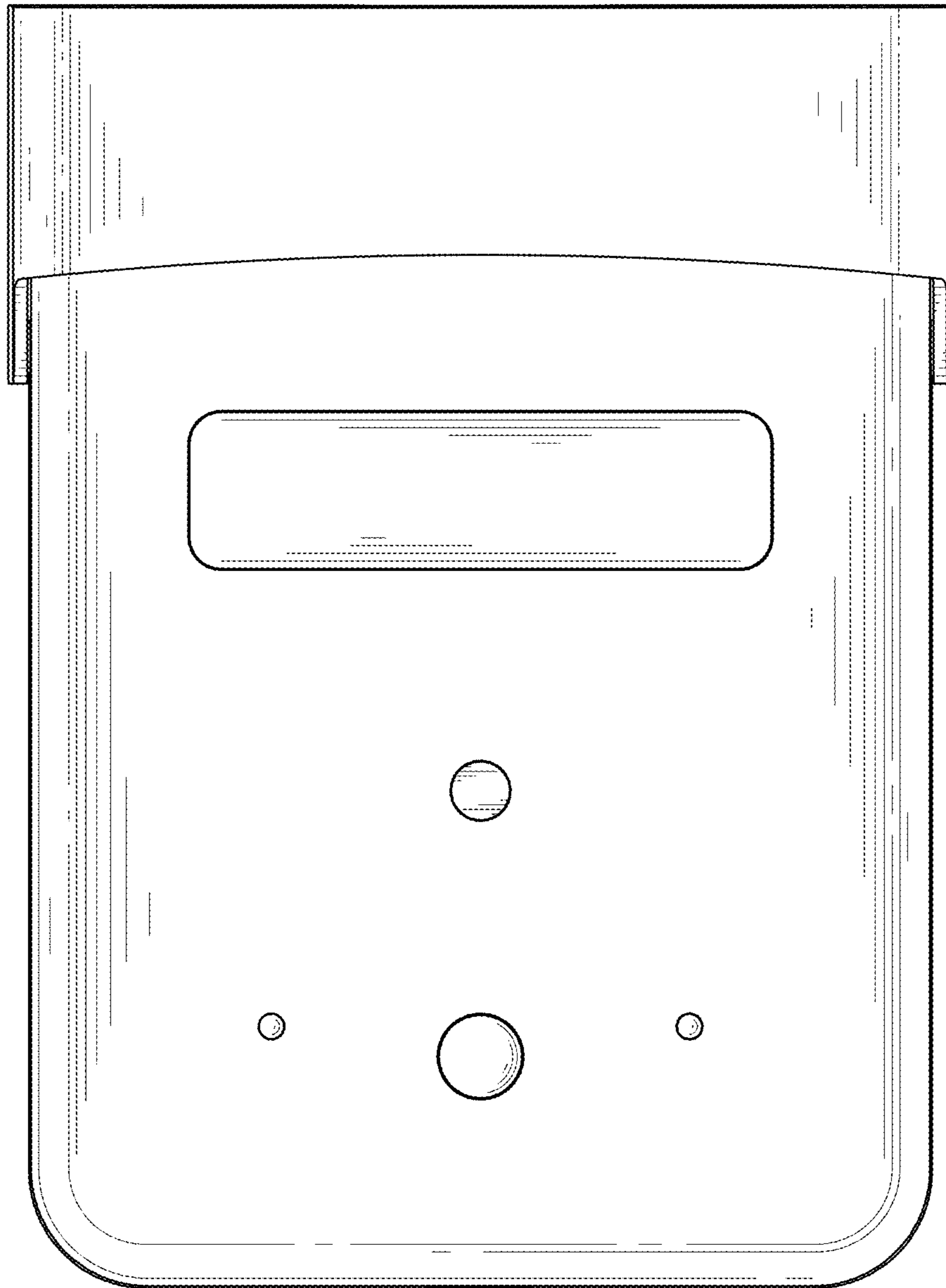


FIG. 6

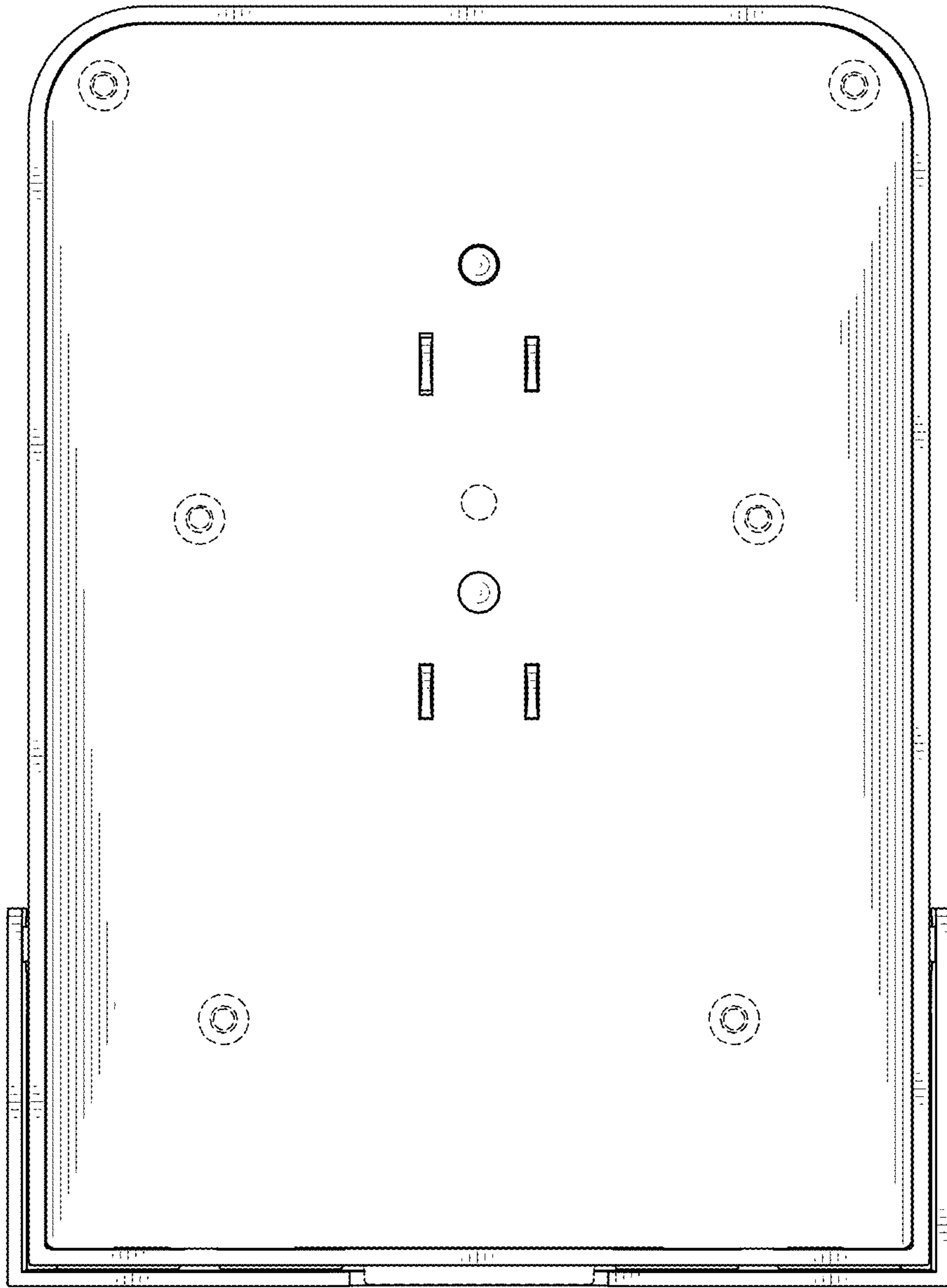


FIG. 7