



US00D775580S

(12) **United States Design Patent** (10) **Patent No.:** **US D775,580 S**  
**Kasparian et al.** (45) **Date of Patent:** **\*\* Jan. 3, 2017**

(54) **COCKPIT CENTER CONSOLE**

(71) Applicant: **Gulfstream Aerospace Corporation**,  
Savannah, GA (US)

(72) Inventors: **Aram Kasparian**, Savannah, GA (US);  
**Andrew Fulford**, Northville, MI (US)

(73) Assignee: **Gulfstream Aerospace Corporation**,  
Savannah, GA (US)

(\*\*) Term: **14 Years**

(21) Appl. No.: **29/506,132**

(22) Filed: **Oct. 13, 2014**

(51) **LOC (10) Cl.** ..... **12-07**

(52) **U.S. Cl.**  
USPC ..... **D12/345**

(58) **Field of Classification Search**  
USPC ..... D6/336, 384, 653, 654, 665, 657, 663,  
D6/672, 573; D7/602, 603, 614; D12/319,  
D12/323, 325, 336, 345, 192, 423, 415,  
D12/416, 179, 180, 182; D21/436, 447,  
D21/448, 449, 453; D14/125-134, 307,  
D14/336, 371  
CPC . B64C 13/04; B64D 11/0007; B64D 11/0015;  
B64D 11/003; B64D 11/04; B64D  
2011/0046; B64D 11/0629; B64B 1/10  
See application file for complete search history.

D630,142 S \* 1/2011 da Silveira ..... D12/192  
D638,347 S \* 5/2011 Davis ..... D12/416  
D640,180 S \* 6/2011 Money Penny ..... D12/345  
D641,674 S \* 7/2011 Kim ..... D12/192  
8,028,960 B2 \* 10/2011 Van  
Wassenhove ..... B64D 11/0689  
244/118.5  
D672,307 S \* 12/2012 von Holzhausen ..... D12/415  
D682,771 S \* 5/2013 Amante ..... D12/192  
D689,007 S \* 9/2013 Littlechild ..... D12/345  
D689,008 S \* 9/2013 Littlechild ..... D12/345  
D689,009 S \* 9/2013 Littlechild ..... D12/345  
D689,010 S \* 9/2013 Littlechild ..... D12/345  
D694,701 S \* 12/2013 Ouellette ..... D12/415  
D730,805 S \* 6/2015 Tran ..... D12/192  
D734,224 S \* 7/2015 Tachiiri ..... D12/179  
9,126,677 B1 \* 9/2015 Curtis ..... B64C 19/00  
2012/0085870 A1 \* 4/2012 Coote ..... B60N 2/4693  
244/234

(56) **References Cited**

**U.S. PATENT DOCUMENTS**

D362,765 S \* 10/1995 Ruggieri ..... D6/672  
D501,811 S \* 2/2005 Fukuda ..... D12/192  
D553,554 S \* 10/2007 Figueiredo ..... D12/415  
D555,392 S \* 11/2007 Grozinger ..... D6/663  
D556,107 S \* 11/2007 Figueiredo ..... D12/192  
D561,083 S \* 2/2008 Langner ..... D12/345  
D587,642 S \* 3/2009 Pugh ..... D12/319  
D589,870 S \* 4/2009 Saint-Jalmes ..... D12/345  
D592,126 S \* 5/2009 da Silveira ..... D12/345  
D628,199 S \* 11/2010 Yukikado ..... D14/371

**OTHER PUBLICATIONS**

Korean Intellectual Property Office, Office Action in South Korea Design Application No. 30-2015-0018335 mailed Nov. 18, 2015.

\* cited by examiner

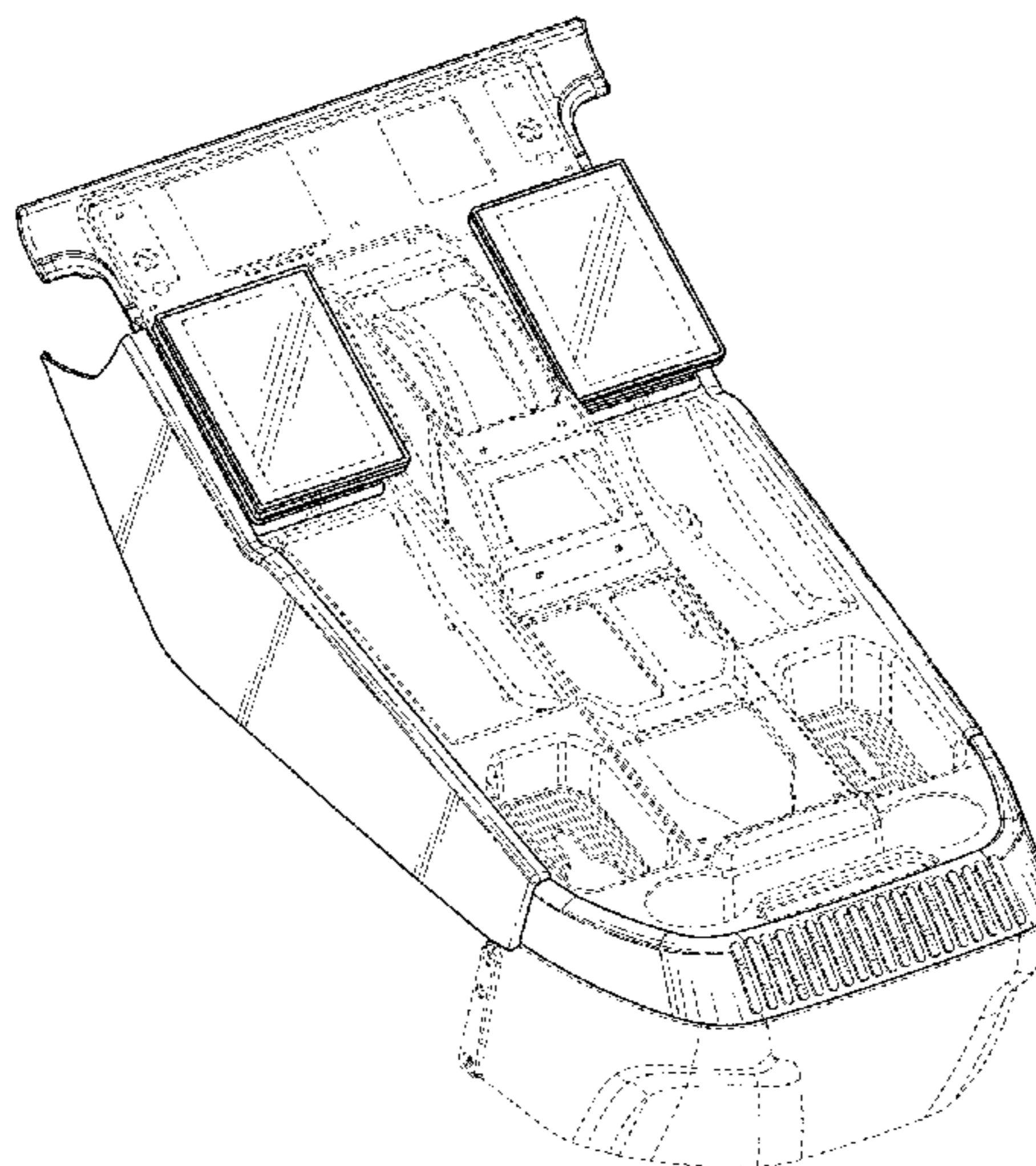
*Primary Examiner* — Robert M Spear  
*Assistant Examiner* — Marissa J Cash  
(74) *Attorney, Agent, or Firm* — Lorenz & Kopf, LLP  
(LK Global)

(57) **CLAIM**  
The ornamental design for a cockpit center console, as shown and described.

**DESCRIPTION**

FIG. 1 is a front perspective view of a cockpit center console showing our new design;  
FIG. 2 is a front view thereof;  
FIG. 3 is a first side view thereof;  
FIG. 4 is a second side view thereof; and,  
FIG. 5 is a top view thereof, the bottom view forming no part of the claimed design.  
The broken lines illustrate structure and environment that form no part of the claimed design.

**1 Claim, 5 Drawing Sheets**



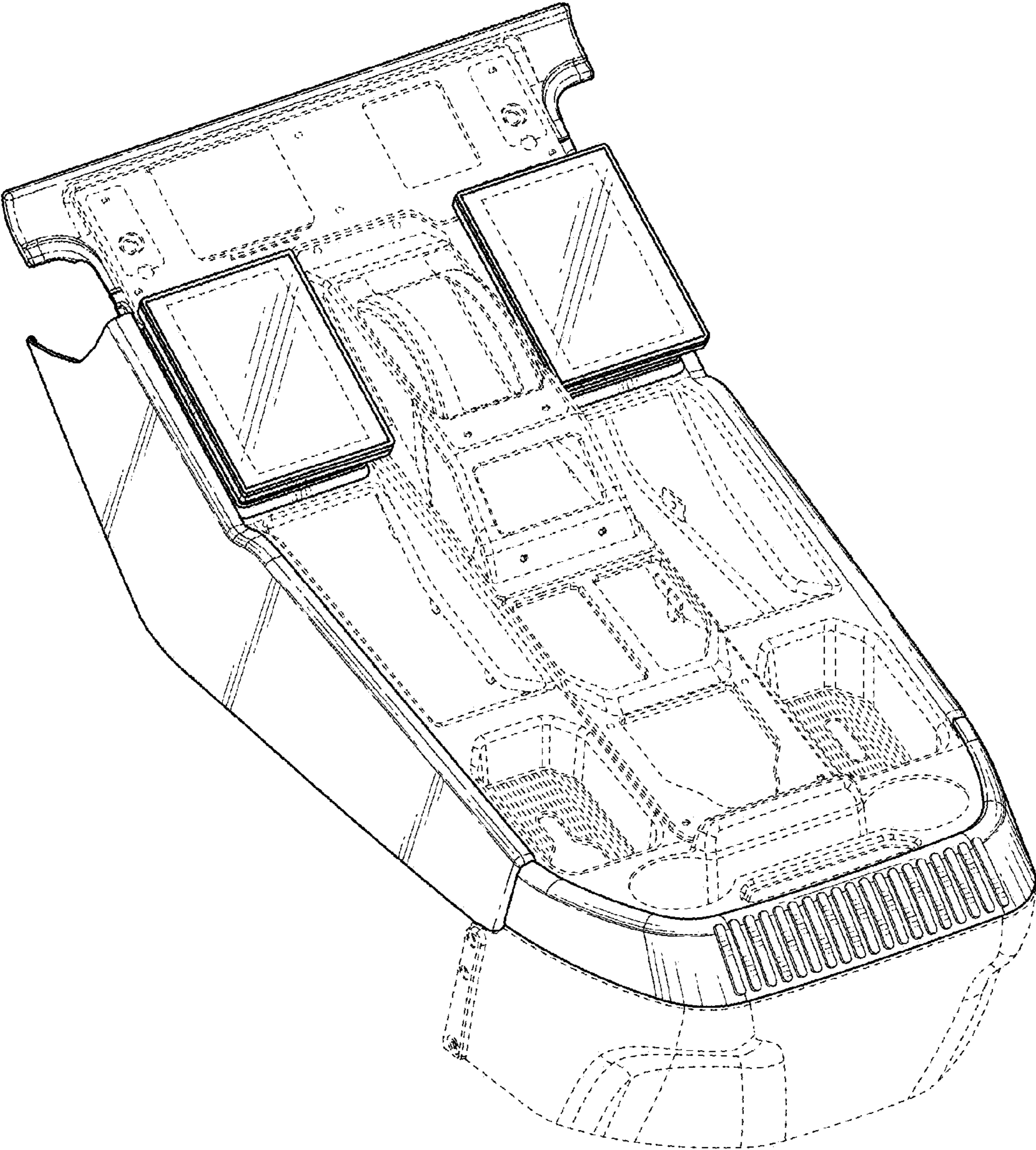


FIG. 1

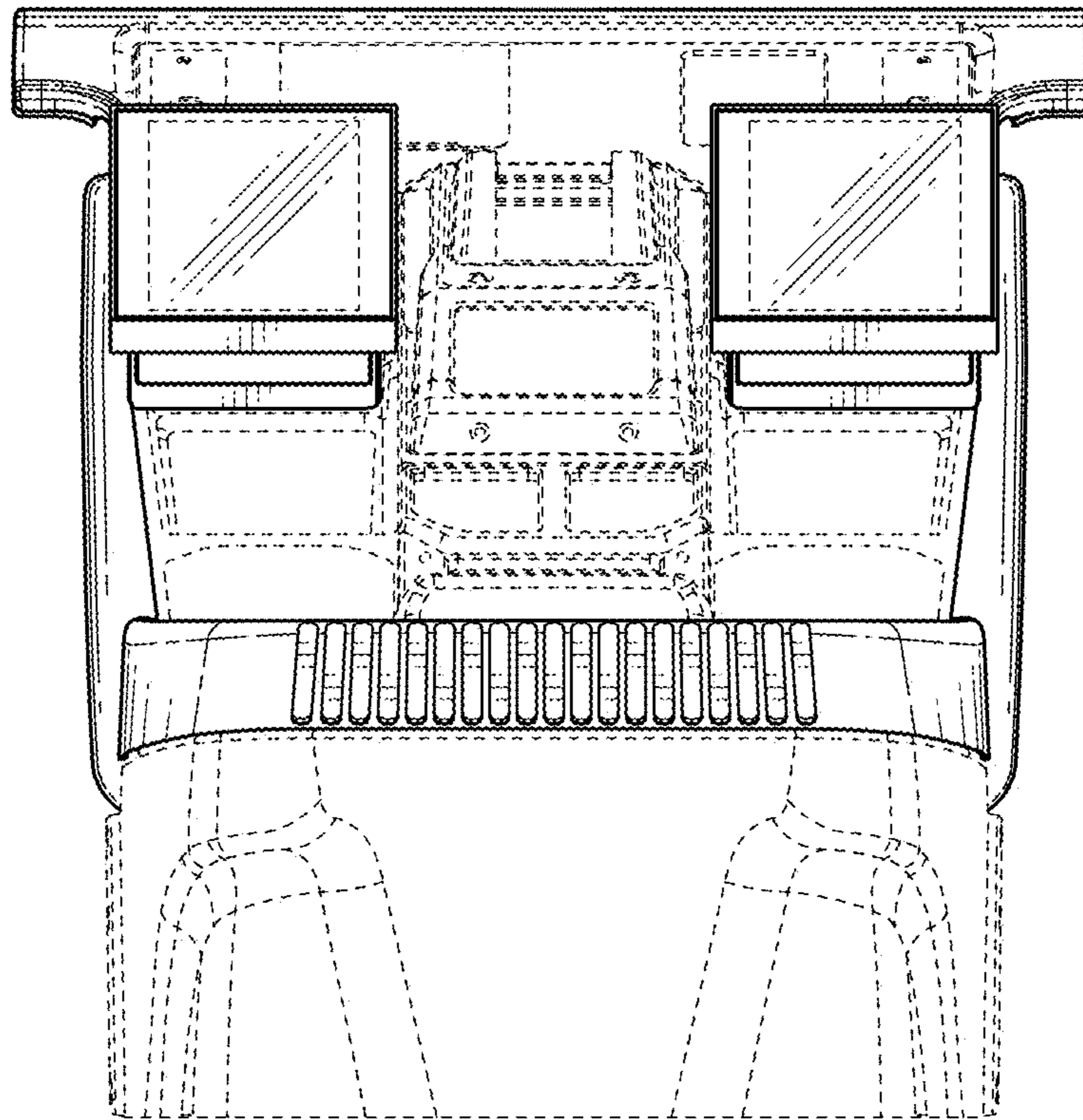


FIG. 2

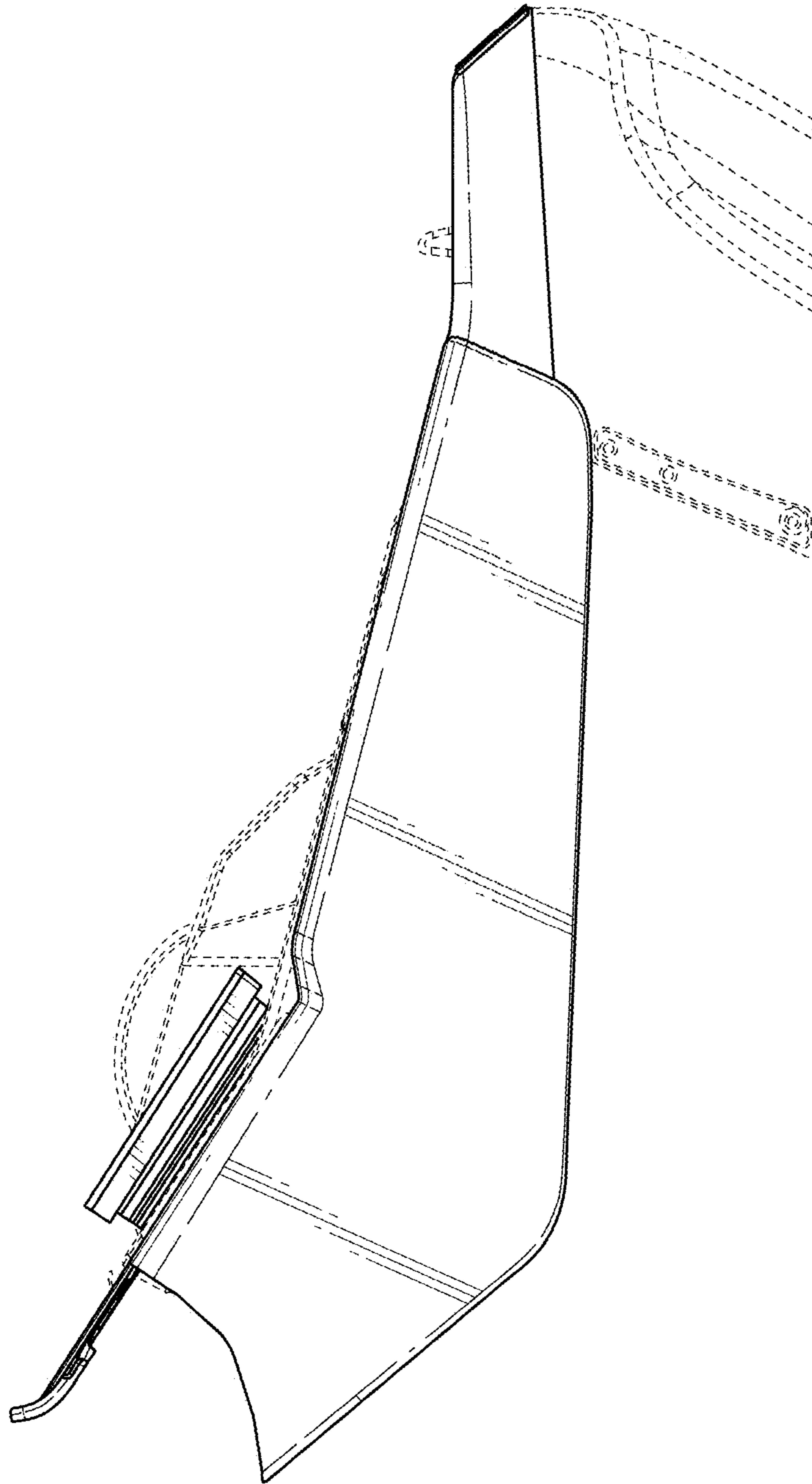


FIG. 3

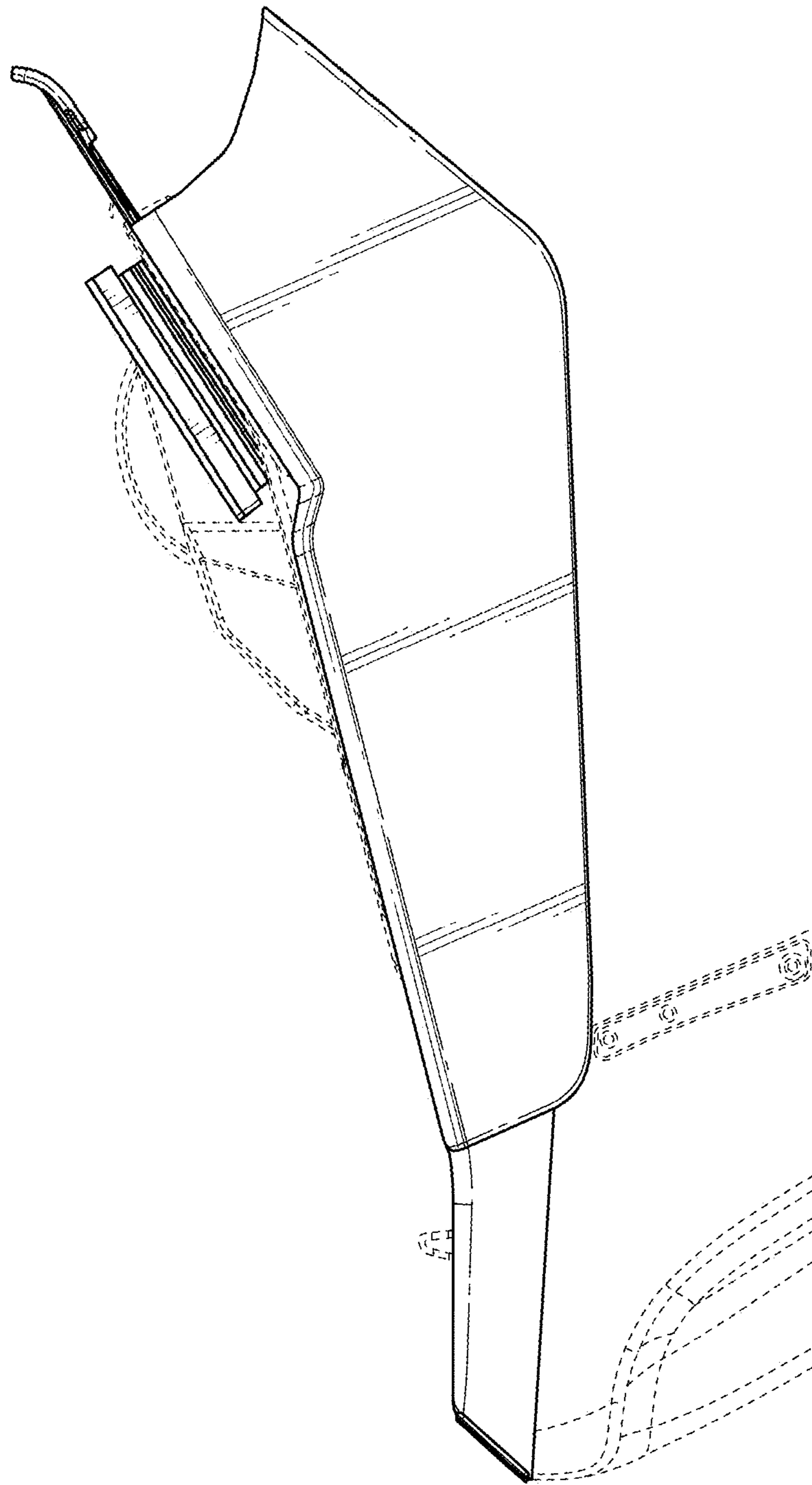


FIG. 4

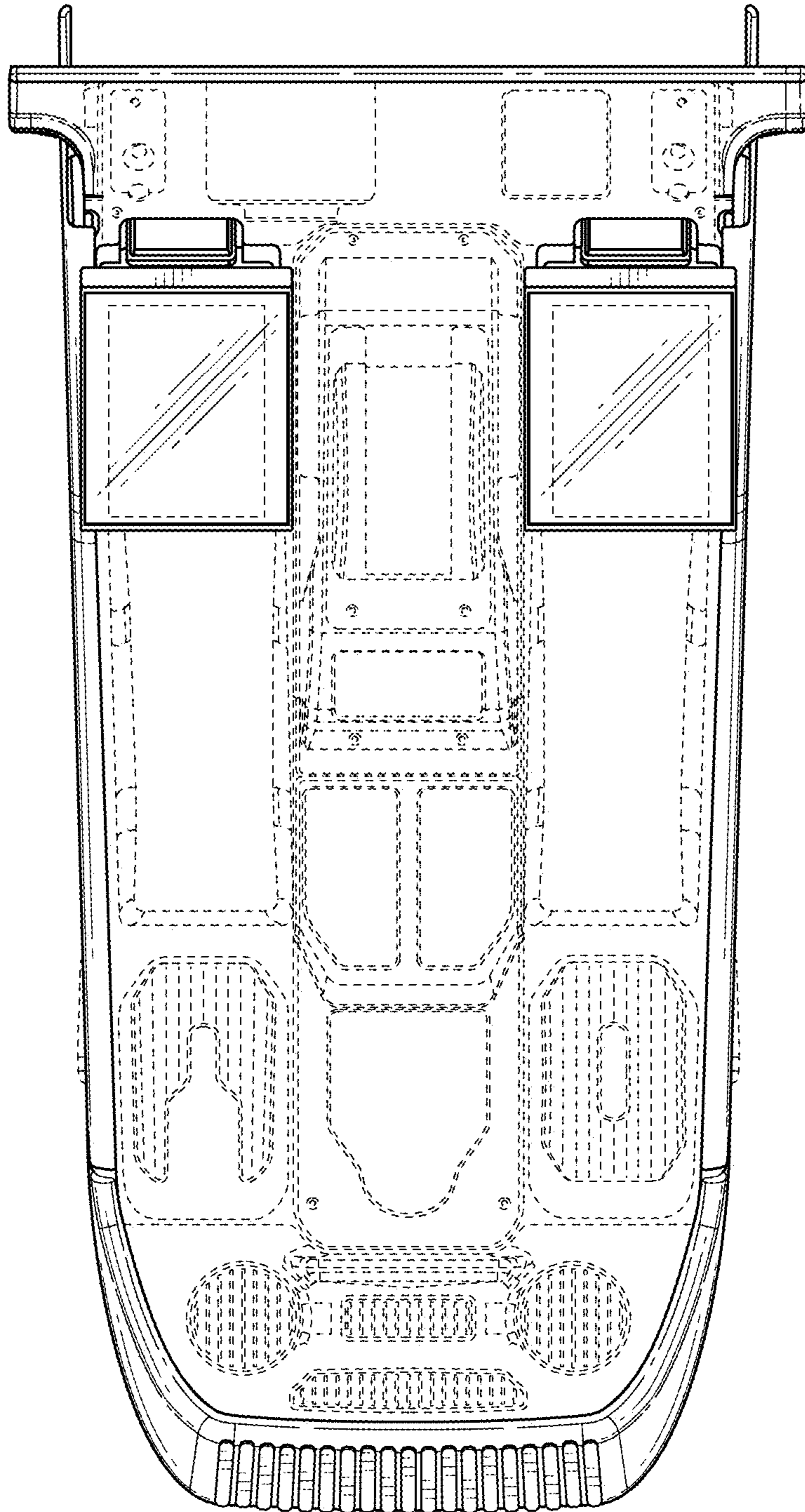


FIG. 5