



US00D775578S

(12) **United States Design Patent**
Johnson

(10) **Patent No.:** **US D775,578 S**

(45) **Date of Patent:** **** Jan. 3, 2017**

(54) **AUTOMOTIVE WHEEL**

(71) Applicant: **Kelly R. Johnson**, City of Industry, CA (US)

(72) Inventor: **Kelly R. Johnson**, City of Industry, CA (US)

(73) Assignee: **THE WHEEL GROUP**, Industry, CA (US)

(**) Term: **15 Years**

(21) Appl. No.: **29/555,629**

(22) Filed: **Feb. 23, 2016**

(51) **LOC (10) Cl.** **12-16**

(52) **U.S. Cl.**
USPC **D12/211**

(58) **Field of Classification Search**
USPC D12/204–213
CPC B60B 7/00; B60B 7/02; B60B 7/04;
B60B 7/01; B60B 7/06; B60B 3/02; B60B 3/04;
B60B 3/06; B60B 3/10; B60B 1/00;
B60B 1/08; B60B 1/10; B60B 1/12
See application file for complete search history.

(56) **References Cited**

U.S. PATENT DOCUMENTS

D431,807 S	*	10/2000	Fitzgerald	D12/211
D480,672 S	*	10/2003	Pfeiffer	D12/209
D486,110 S	*	2/2004	Elmitt	D12/211
D499,681 S	*	12/2004	Boyer	D12/209
D503,917 S	*	4/2005	Kushartanto	D12/209
D510,719 S	*	10/2005	Noble	D12/211
D522,953 S	*	6/2006	Guevara	D12/211

D525,577 S	*	7/2006	Laengerer	D12/211
D535,934 S	*	1/2007	Scheu	D12/211
D554,034 S	*	10/2007	Madden	D12/209
D597,013 S	*	7/2009	Chung	D12/211
D609,156 S	*	2/2010	Rider	D12/211
D619,072 S	*	7/2010	Gallert	D12/211
D620,872 S	*	8/2010	Juergens	D12/211
D623,110 S	*	9/2010	Juergens	D12/209
D623,574 S	*	9/2010	Thompson	D12/211
D624,475 S	*	9/2010	Zhao	D12/209
D643,793 S	*	8/2011	Juergens	D12/209
D651,152 S	*	12/2011	McMath	D12/211
D662,868 S	*	7/2012	Furst	D12/209
D669,011 S	*	10/2012	Chung	D12/211
D679,645 S	*	4/2013	Chung	D12/209
D701,157 S	*	3/2014	McMath	D12/211
D705,713 S	*	5/2014	Wagener	D12/209
D716,712 S	*	11/2014	Lemke	D12/211
D754,049 S	*	4/2016	Valencia Pollex	D12/209
D764,369 S	*	8/2016	Wheel	D12/209
D764,373 S	*	8/2016	Valencia Pollex	D12/211
D770,959 S	*	11/2016	Chung	D12/211

* cited by examiner

Primary Examiner — Stacia Cadmus

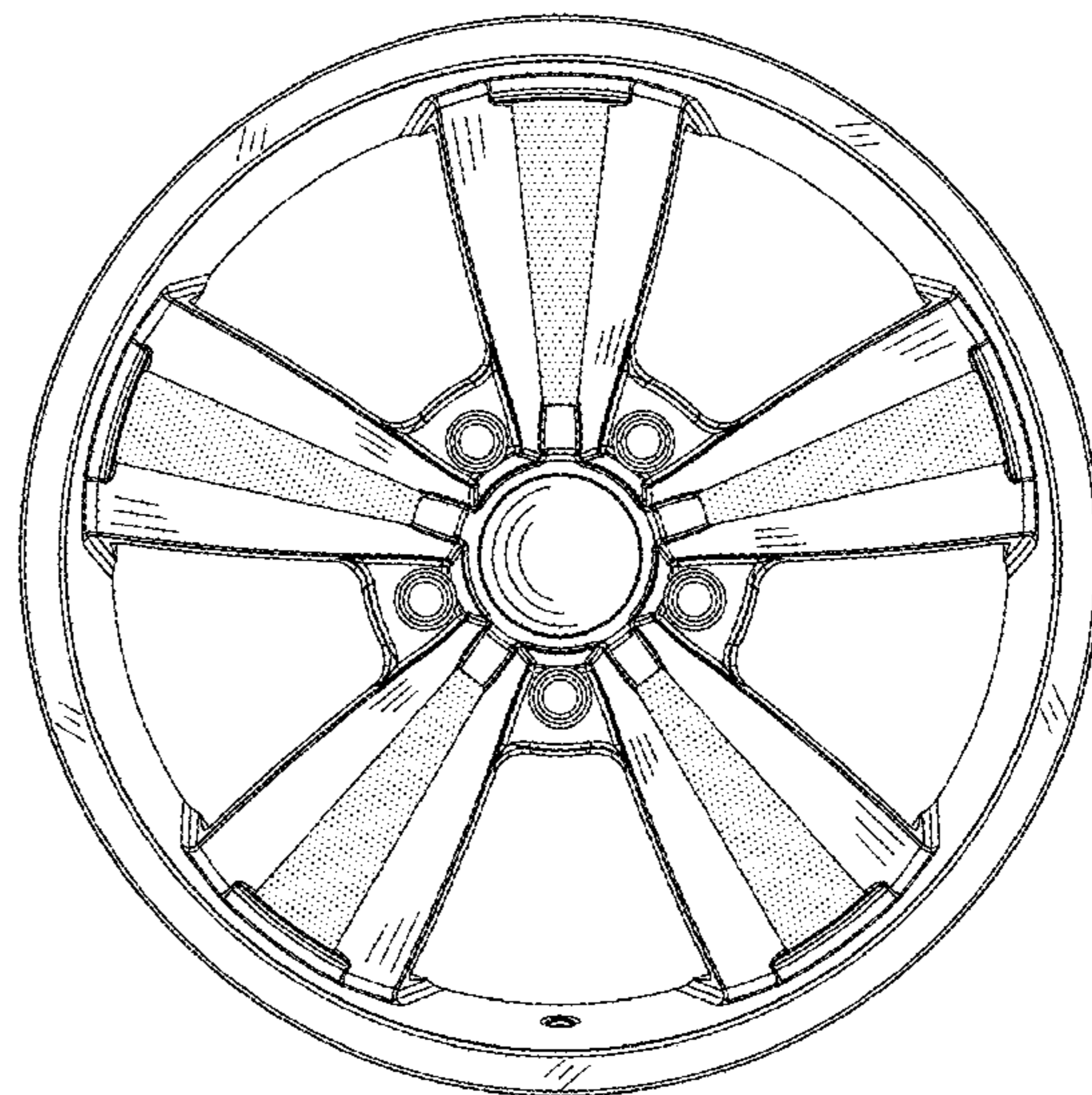
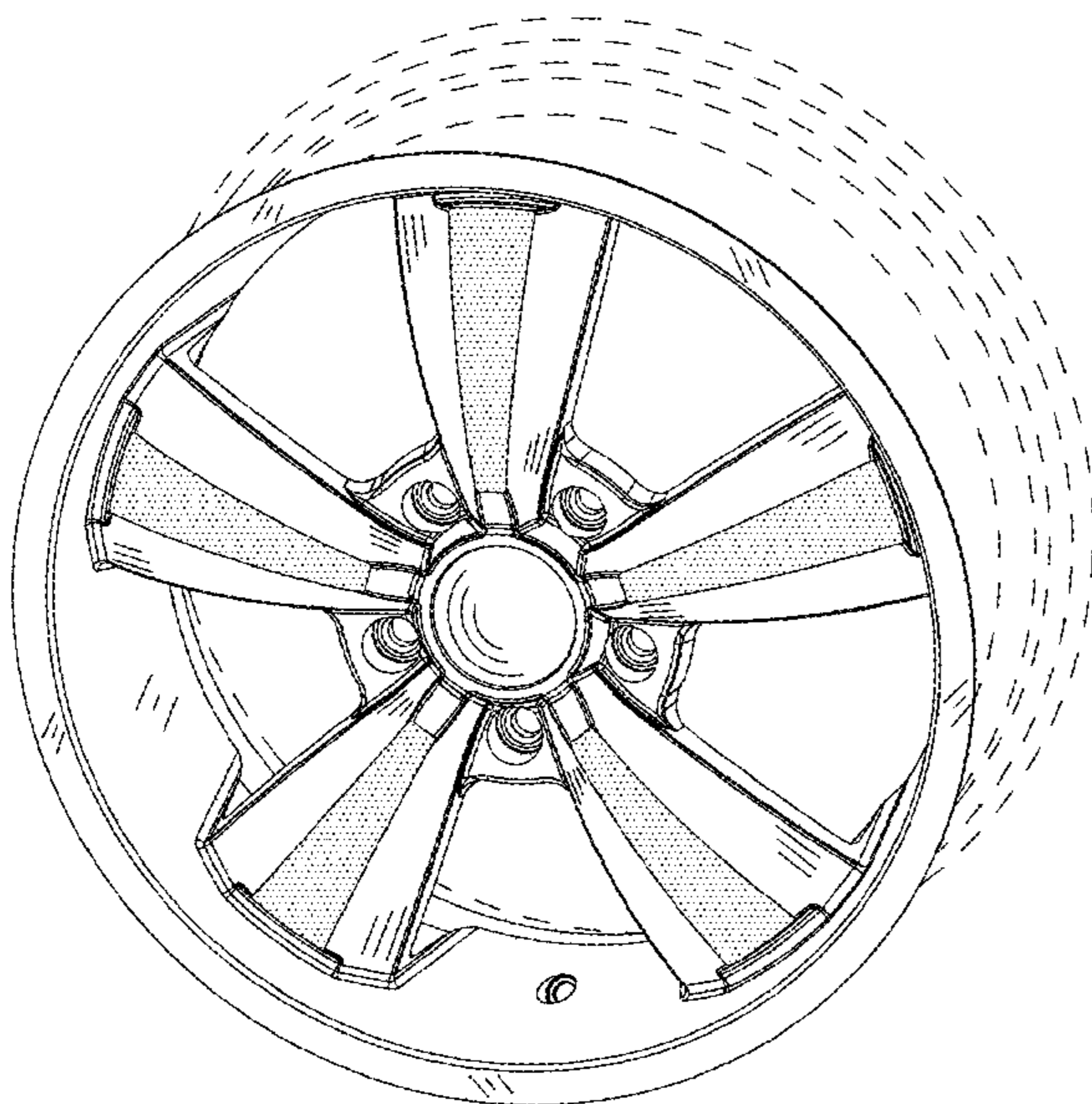
(57) **CLAIM**

The ornamental design for an automotive wheel, as show and described.

DESCRIPTION

FIG. 1 is a perspective view of an automotive wheel showing my new design; and, FIG. 2 is a front elevational view thereof. The broken line showing of the rear portion of the rim is included for the purpose of illustrating environment and forms no part of the claimed design.

1 Claim, 2 Drawing Sheets



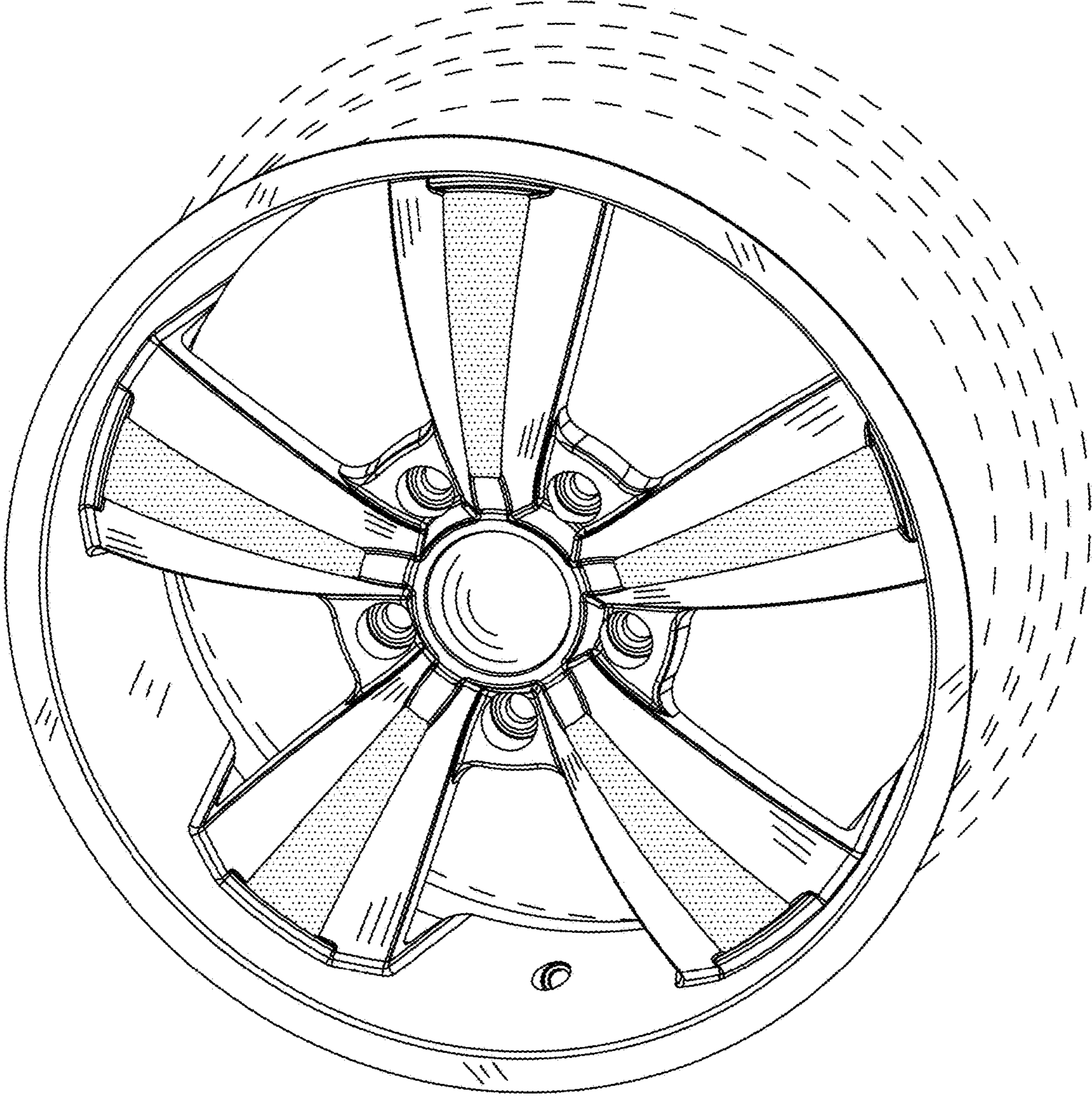


FIG.1

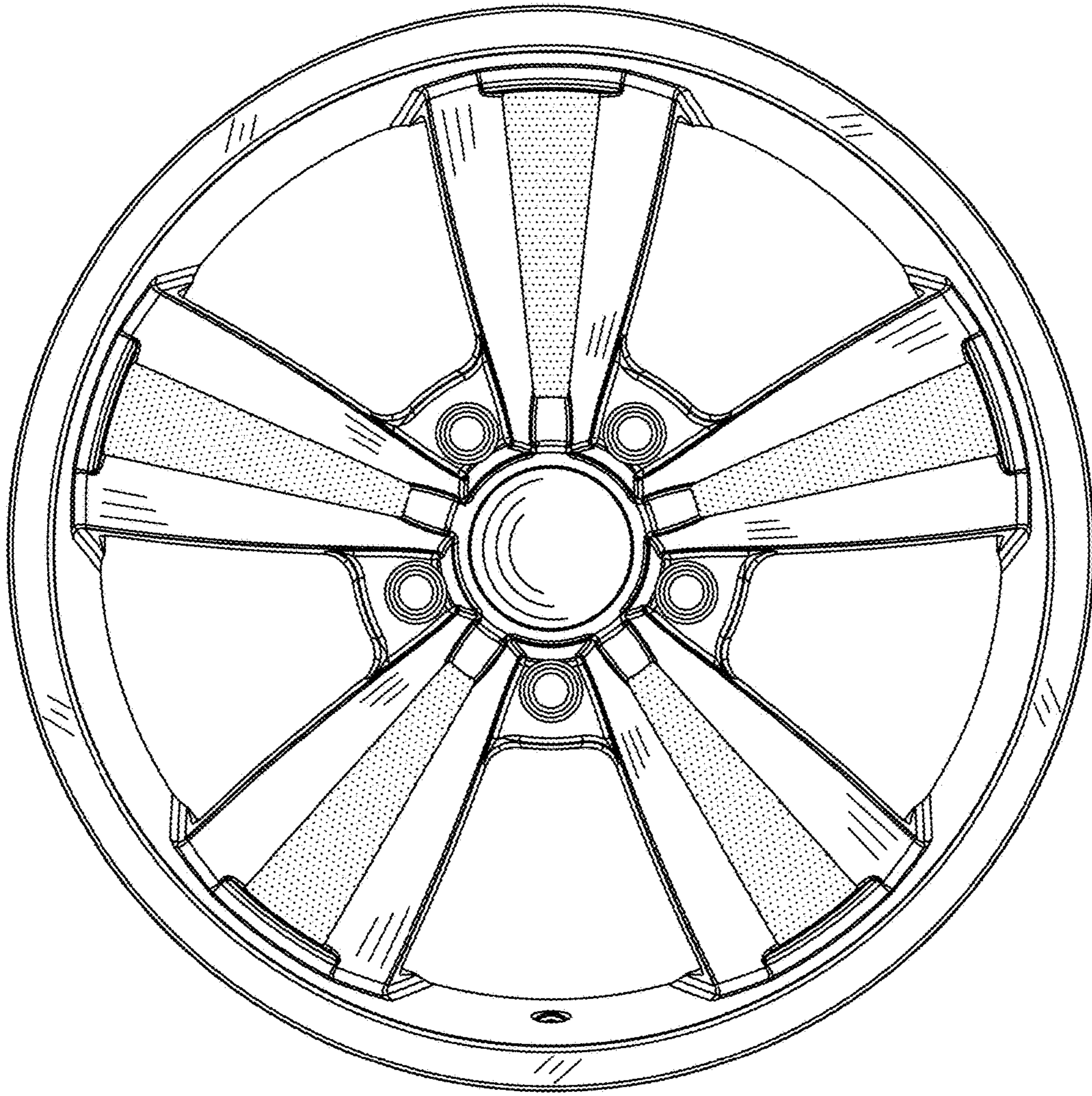


FIG. 2