



US00D775576S

(12) **United States Design Patent**
Liffick

(10) **Patent No.:** **US D775,576 S**

(45) **Date of Patent:** **** Jan. 3, 2017**

(54) **VEHICLE WHEEL**

(71) Applicant: **Quarsa, LLC**, Chino, CA (US)

(72) Inventor: **Fenton Liffick**, Anaheim Hills, CA (US)

(73) Assignee: **QUARSA, LLC**, Chino, CA (US)

(**) Term: **15 Years**

(21) Appl. No.: **29/541,643**

(22) Filed: **Oct. 6, 2015**

(51) **LOC (10) Cl.** **12-16**

(52) **U.S. Cl.**
USPC **D12/211**

(58) **Field of Classification Search**
USPC D12/204–213
CPC B60B 7/00; B60B 7/02; B60B 7/04;
B60B 7/01; B60B 7/06; B60B 3/02; B60B
3/04; B60B 3/06; B60B 3/10; B60B 1/00;
B60B 1/08; B60B 1/10; B60B 1/12
See application file for complete search history.

(56) **References Cited**

U.S. PATENT DOCUMENTS

D459,688 S * 7/2002 Wiesinger D12/211
D528,955 S * 9/2006 Kim D12/209
D541,723 S * 5/2007 Musser D12/209

D557,650 S * 12/2007 Musser D12/211
D569,323 S * 5/2008 Laengerer D12/211
D597,015 S * 7/2009 Juergens D12/211
D620,870 S * 8/2010 Powell D12/211
D638,768 S * 5/2011 Nissl D12/211
D663,249 S * 7/2012 Zhang D12/211
D671,481 S * 11/2012 Amezketa D12/211
D683,685 S * 6/2013 Pollmann D12/211
D720,274 S * 12/2014 Mielke D12/211
D720,276 S * 12/2014 Morgenstern D12/211
D729,139 S * 5/2015 Mielke D12/211
D730,800 S * 6/2015 Behmer D12/211
D733,633 S * 7/2015 Gardavsky D12/211

* cited by examiner

Primary Examiner — Stacia Cadmus

(74) *Attorney, Agent, or Firm* — Snell & Wilmer LLP

(57) **CLAIM**

I claim the ornamental design for a vehicle wheel, as shown and described.

DESCRIPTION

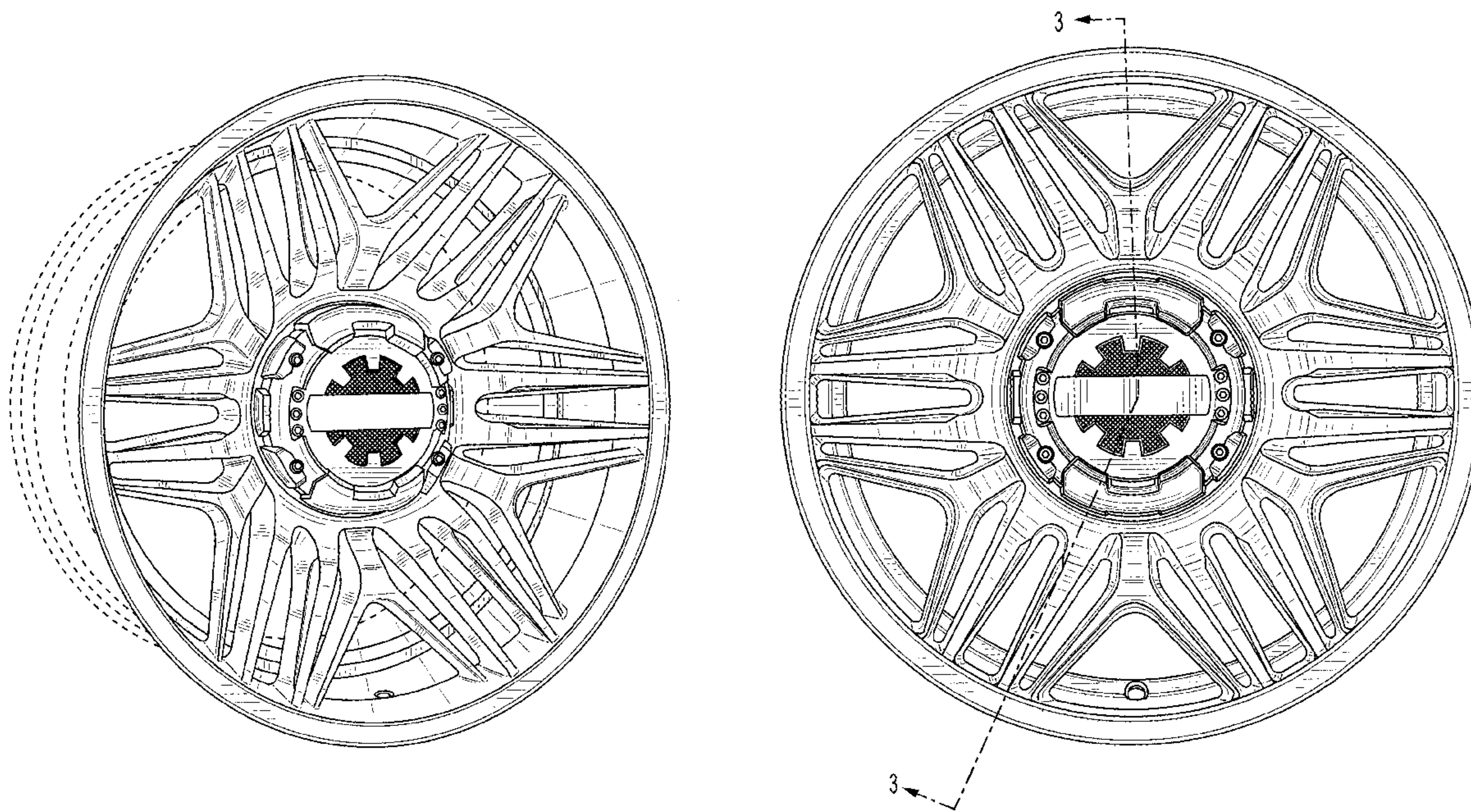
FIG. 1 is a perspective view of the vehicle wheel showing my new design;

FIG. 2 is a front view of the vehicle wheel; and,

FIG. 3 is a cross-sectional view taken along the line 3-3 of FIG. 2.

The broken line showing of the rear portion of the wheel is included for the purpose of illustrating environment and forms no part of the claimed design.

1 Claim, 3 Drawing Sheets



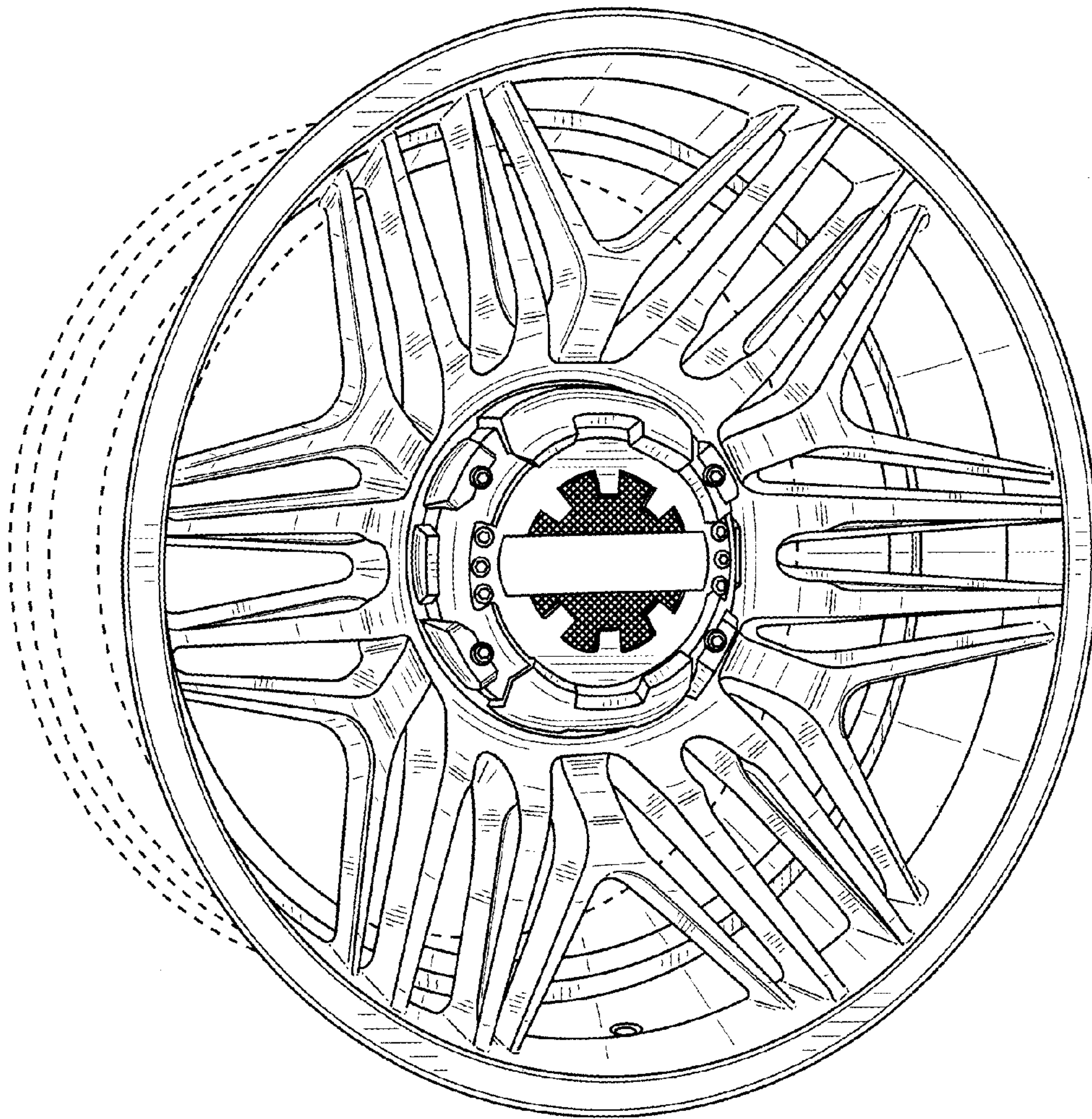


FIG. 1

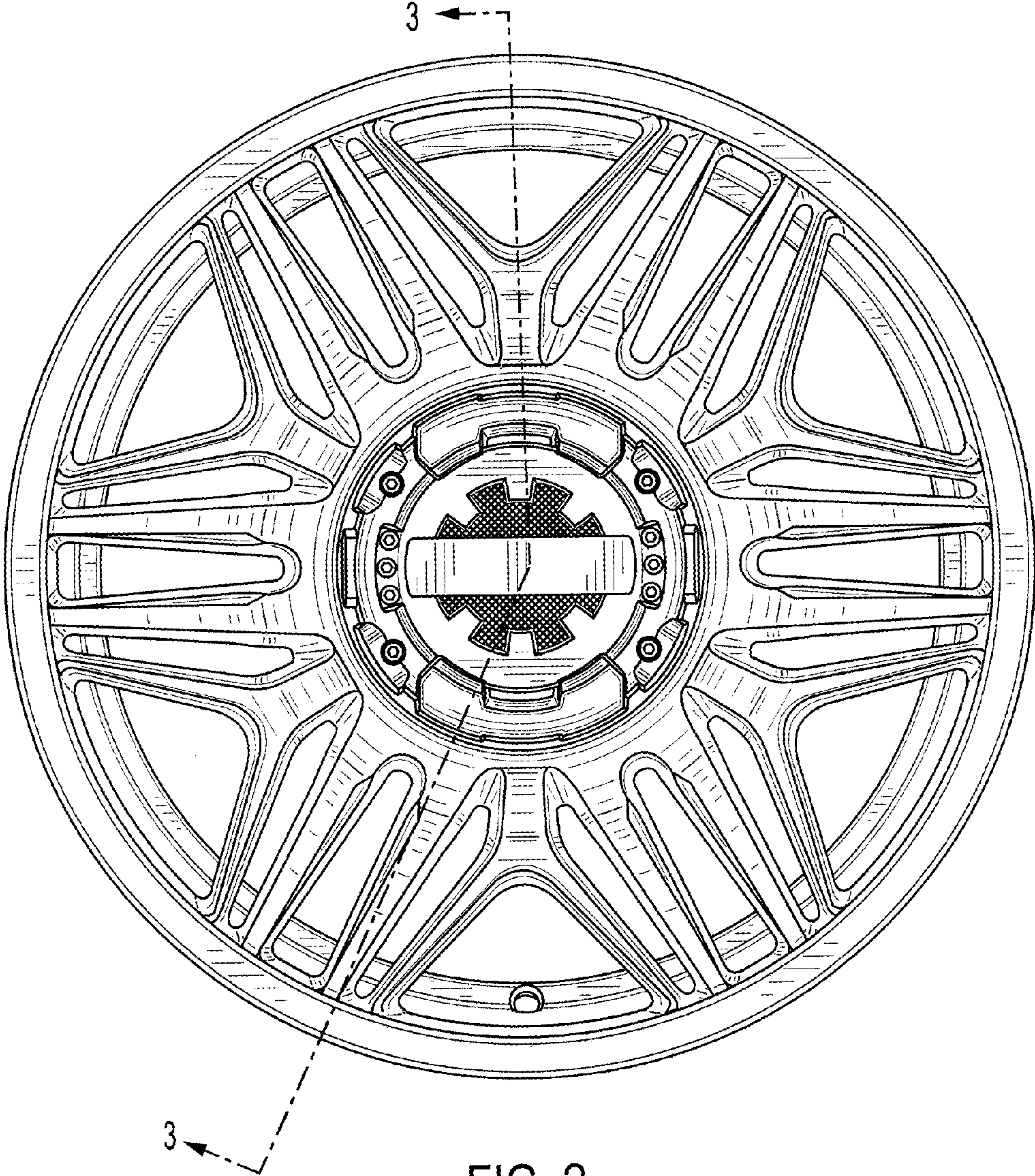


FIG. 2

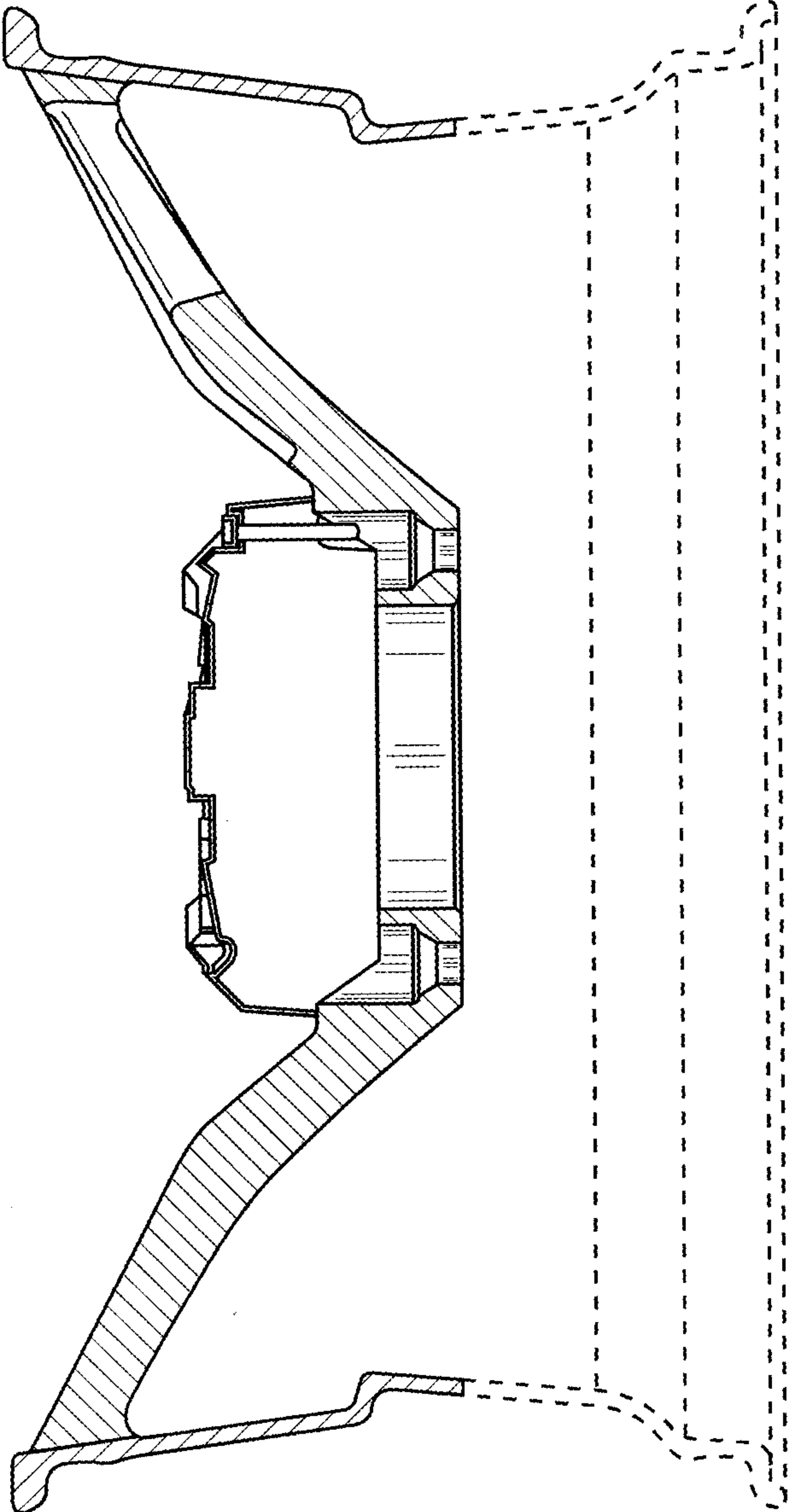


FIG. 3