



US00D775568S

(12) **United States Design Patent**
Wheel

(10) **Patent No.:** **US D775,568 S**

(45) **Date of Patent:** **** Jan. 3, 2017**

(54) **CONVERTIBLE TAIL GATE**

(71) Applicant: **Jaguar Land Rover Limited**, Whitley,
Coventry (GB)

(72) Inventor: **Andrew Wheel**, Coventry (GB)

(73) Assignee: **Jaguar Land Rover Limited**, Whitley,
Coventry (GB)

(**) Term: **15 Years**

(21) Appl. No.: **29/527,625**

(22) Filed: **May 20, 2015**

(30) **Foreign Application Priority Data**

Feb. 27, 2015 (EM) 002642801-0005

(51) **LOC (10) Cl.** **12-16**

(52) **U.S. Cl.**
USPC **D12/196**

(58) **Field of Classification Search**
USPC D12/86, 88, 90, 91, 92, 163, 169, 184,
D12/196, 401; D21/424, 433, 434;
296/181.1, 296/181.2, 181.5, 76
CPC B62D 25/00; B62D 25/02; B62D 25/08;
B62D 33/0273; B62D 33/033; B62D
33/037

See application file for complete search history.

(56) **References Cited**

U.S. PATENT DOCUMENTS

D371,526 S * 7/1996 Verduyn D12/86
D420,317 S * 2/2000 Ney D12/196
D494,910 S * 8/2004 Metros D12/196
D508,440 S * 8/2005 Hall D12/98
D517,966 S * 3/2006 Ikuma D12/196
D541,721 S * 5/2007 Levy D12/196
D553,051 S * 10/2007 Chung D12/91

D558,095 S * 12/2007 Leclercq D12/91
D560,584 S * 1/2008 Tant D12/196
D566,004 S * 4/2008 Teague D12/86

(Continued)

Primary Examiner — Rosemary K Tarcza

Assistant Examiner — Yolanda Robinson

(74) *Attorney, Agent, or Firm* — Wood Herron & Evans
LLP

(57) **CLAIM**

The ornamental design for a convertible tail gate, as shown
and described.

DESCRIPTION

FIG. 1 is a front right three-quarter view of a convertible tail
gate for a vehicle according to the present invention.

FIG. 2 is a rear left three-quarter view of the convertible tail
gate shown in FIG. 1.

FIG. 3 is a front view thereof.

FIG. 4 is a rear view thereof.

FIG. 5 is a left side view thereof.

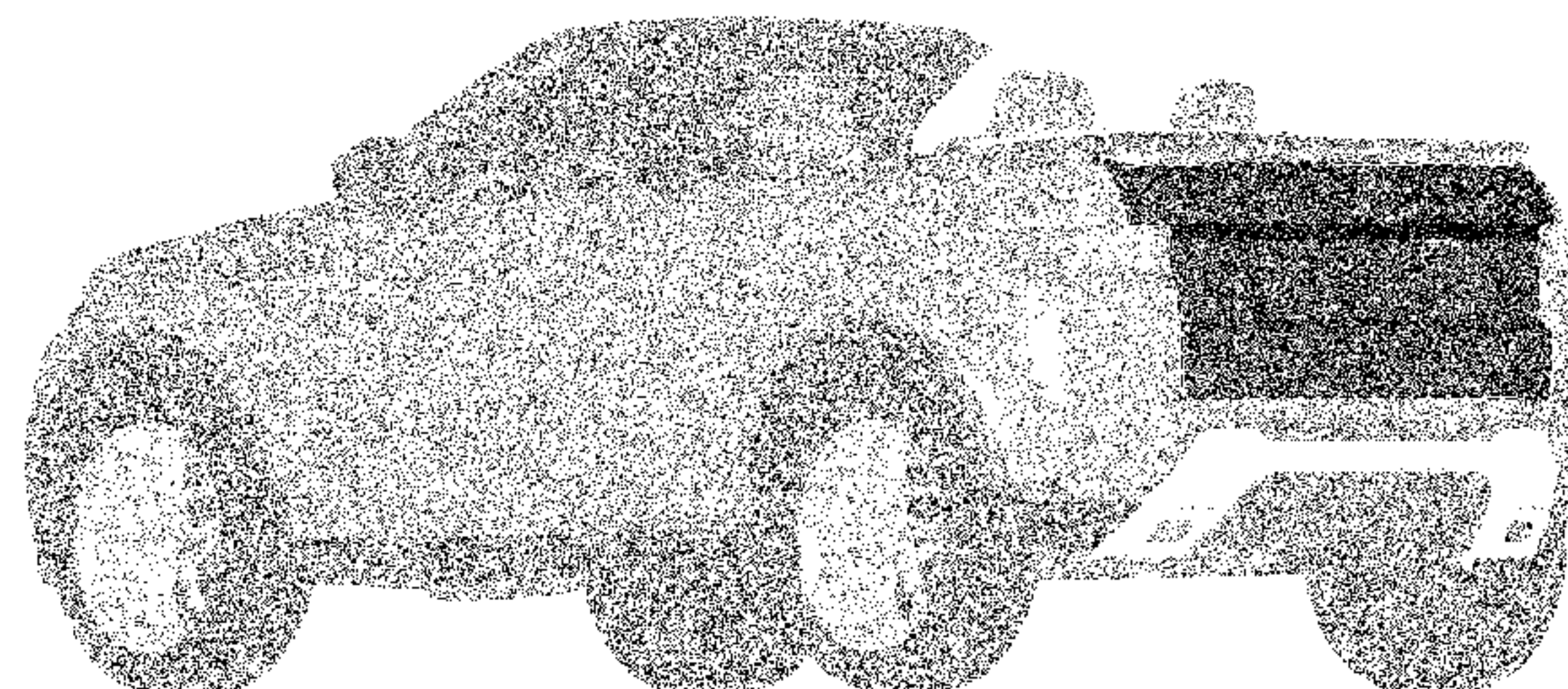
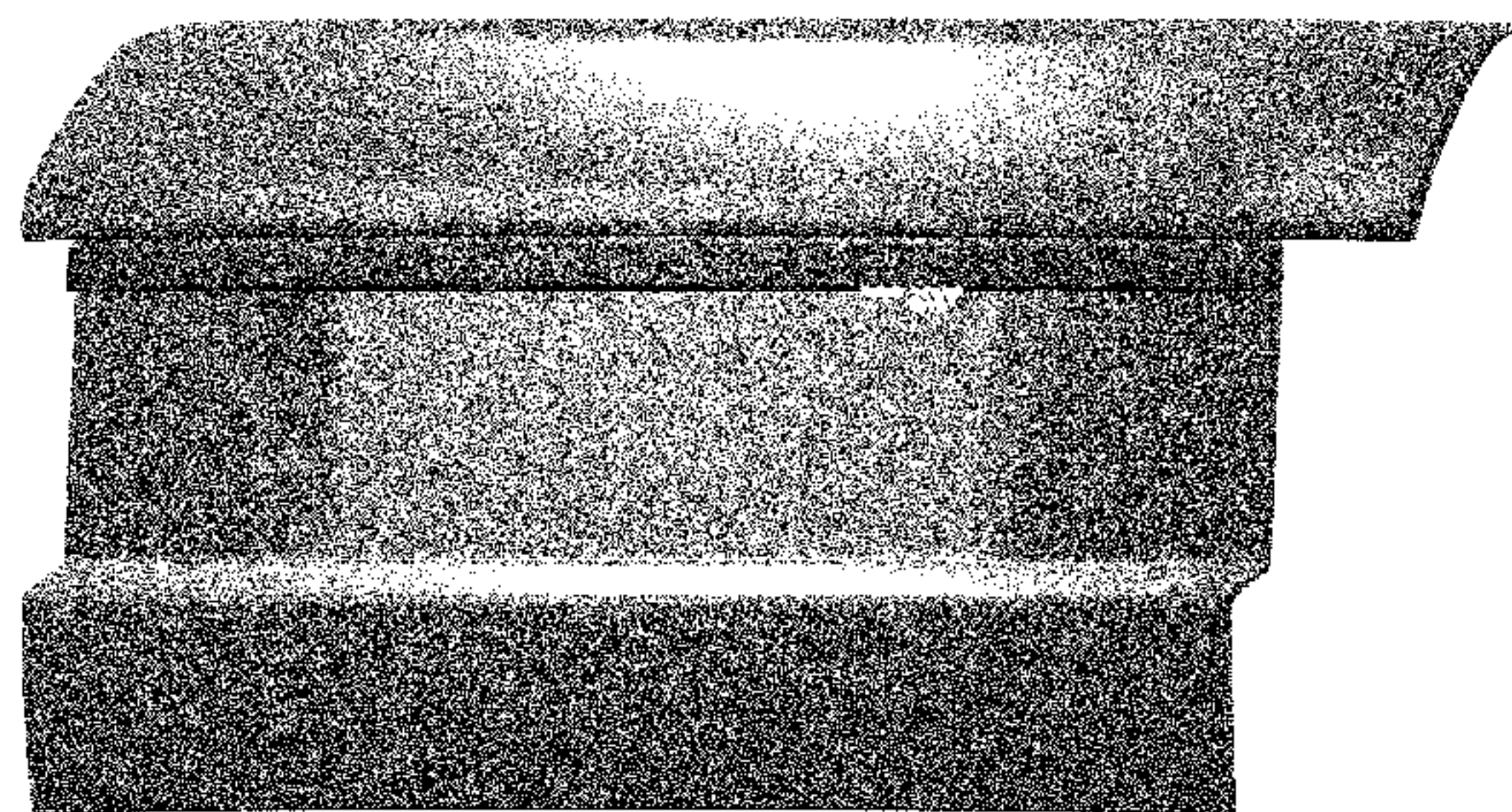
FIG. 6 is a right side view thereof.

FIG. 7 is a top view thereof; and,

FIG. 8 is a rear right three-quarter view of the convertible
tail gate shown in FIG. 1, with the convertible tail gate
mounted on a vehicle that is depicted in de-emphasized and
halftone portions so as to illustrate the environment struc-
ture. These deemphasized portions of the vehicle form no
part of the claimed design. More particularly, in FIG. 8, the
convertible tail gate of the present invention is shown within
broken lines, and any elements shown outside of the broken
lines form no part of the claimed invention, but are instead
included to show environmental aspects of the claimed
invention.

Nevertheless, the broken lines shown in each of FIGS. 1-6
and 8, and which are within the convertible tail gate, show
a latch which is an unclaimed portion of the convertible tail
gate. The latch forms no part of the claimed design.

1 Claim, 7 Drawing Sheets



(56)

References Cited

U.S. PATENT DOCUMENTS

D568,211 S * 5/2008 Vardis D12/91
D607,783 S * 1/2010 Roller D12/98
7,651,148 B2 * 1/2010 Hustyi B60J 1/1846
296/26.01
D626,601 S * 11/2010 Syring
D664,894 S * 8/2012 Huet D12/91
D676,359 S * 2/2013 Panoz D12/86
D684,094 S * 6/2013 Le Grice D12/91
D684,515 S * 6/2013 Oliver 296/26.11
D691,516 S * 10/2013 Dockeray D12/91
D700,543 S * 3/2014 Dockeray D12/91
D706,692 S * 6/2014 Wheel D12/196
D710,777 S * 8/2014 Platto D12/196
8,838,333 B2 * 9/2014 Cheal B60J 5/103
296/146.8
D716,695 S * 11/2014 Woolley D12/91
D718,188 S * 11/2014 Wheel D12/91
D721,024 S * 1/2015 Thole D12/196
9,097,055 B2 * 8/2015 Cheal B60J 5/103
D741,226 S * 10/2015 Callum D12/92
D746,722 S * 1/2016 Henstridge D12/91
D750,002 S * 2/2016 Sato D12/196
D750,531 S * 3/2016 Watkins D12/91
2015/0354254 A1 * 12/2015 Huston B62D 33/037
296/50

* cited by examiner



FIG. 1



FIG. 2

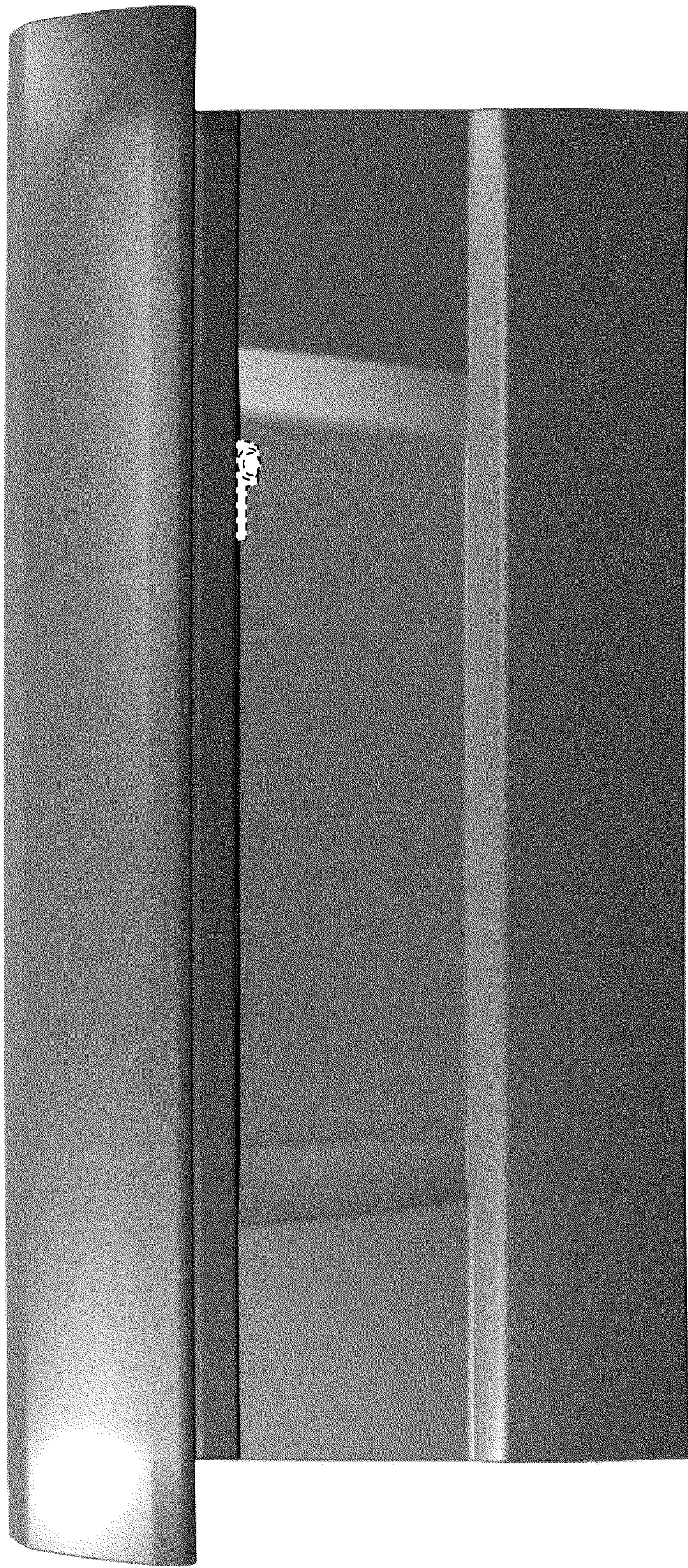


FIG. 3

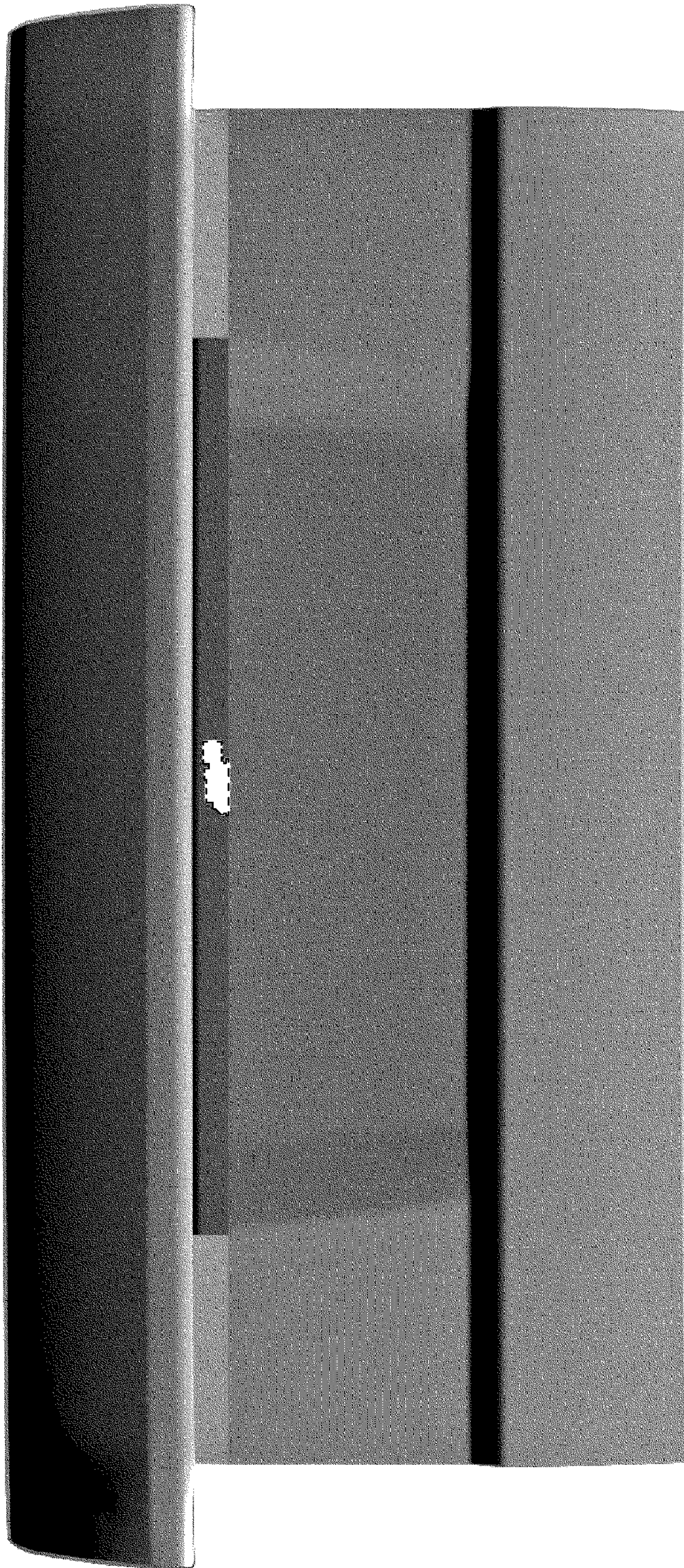


FIG. 4

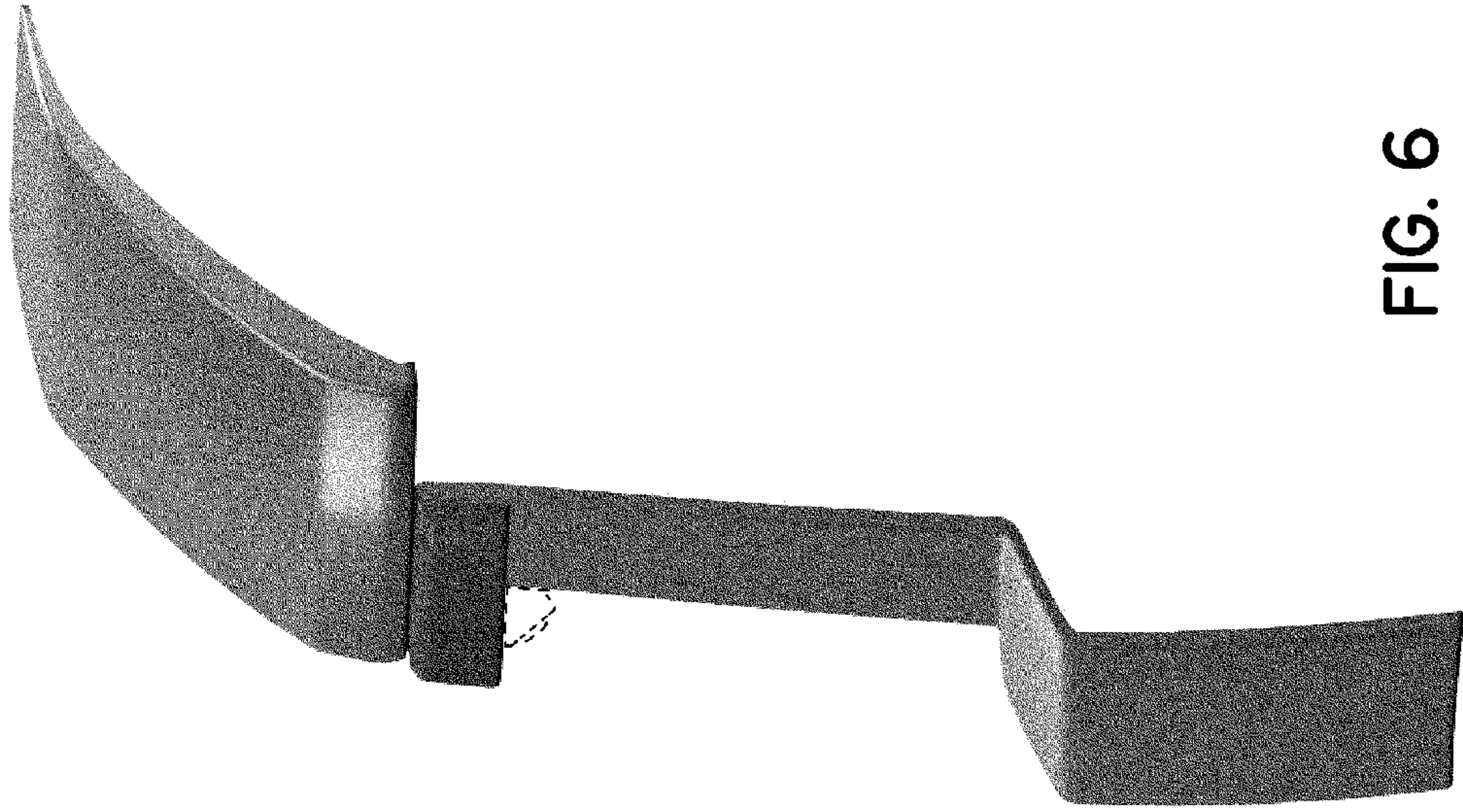


FIG. 6

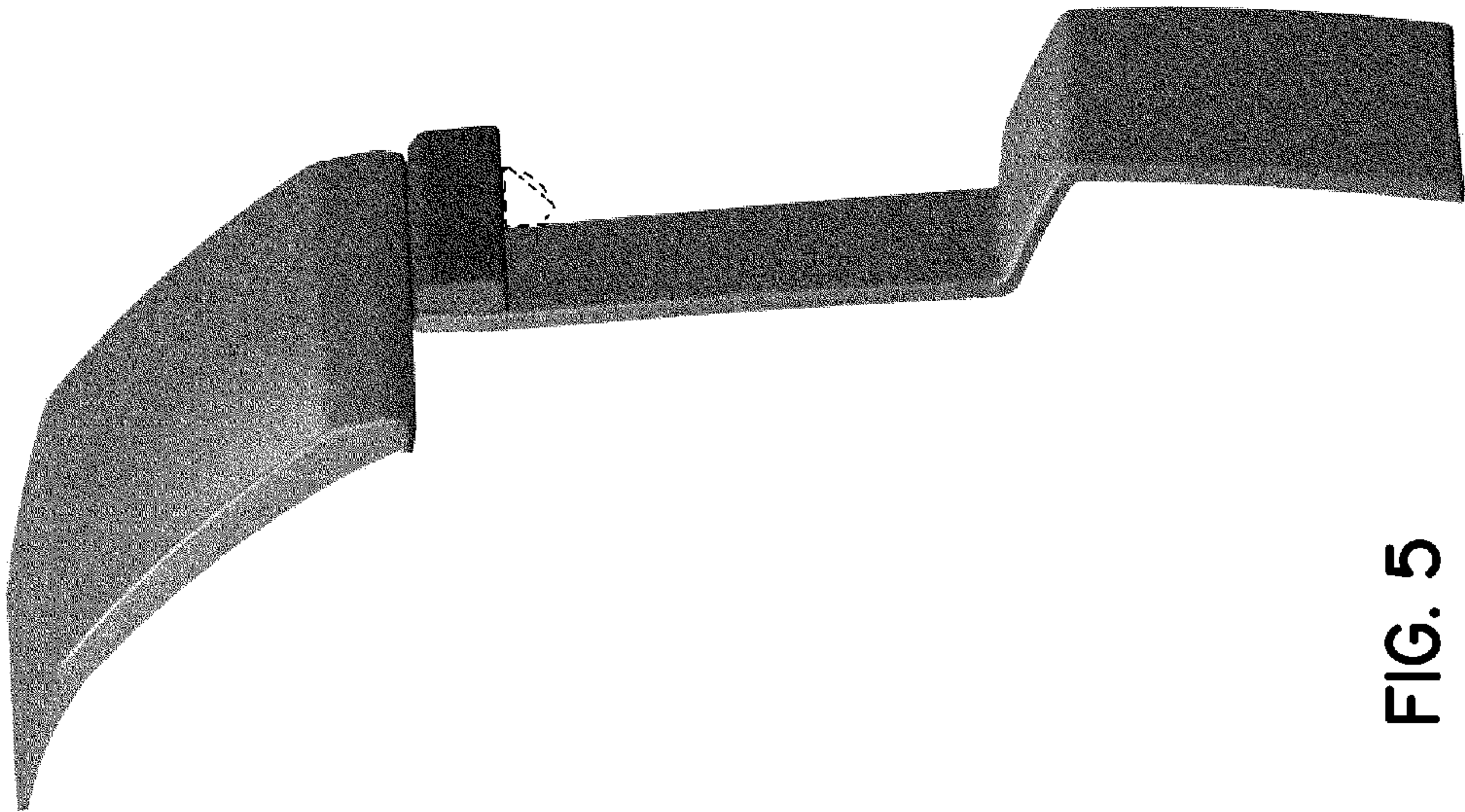


FIG. 5

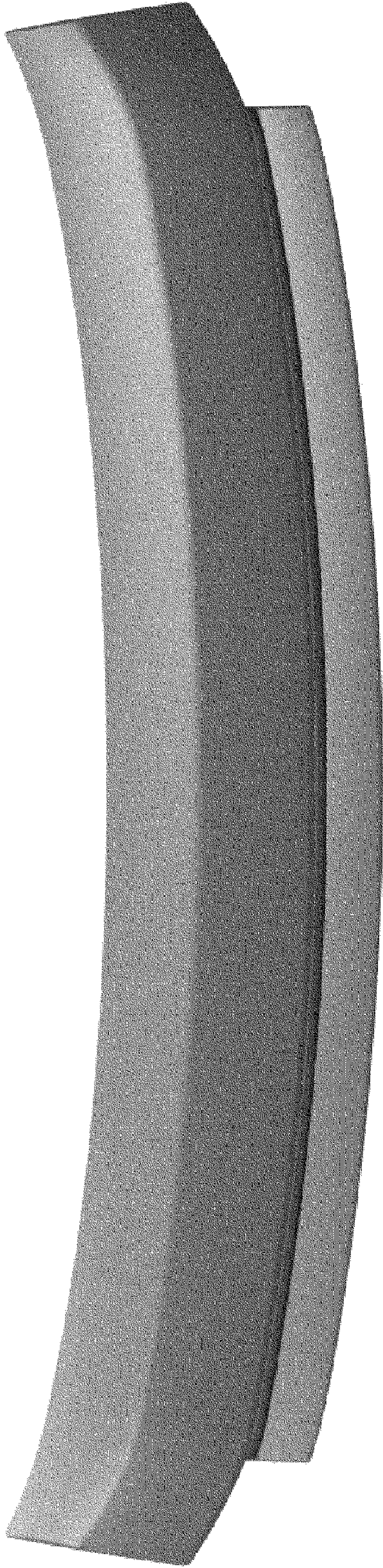


FIG. 7

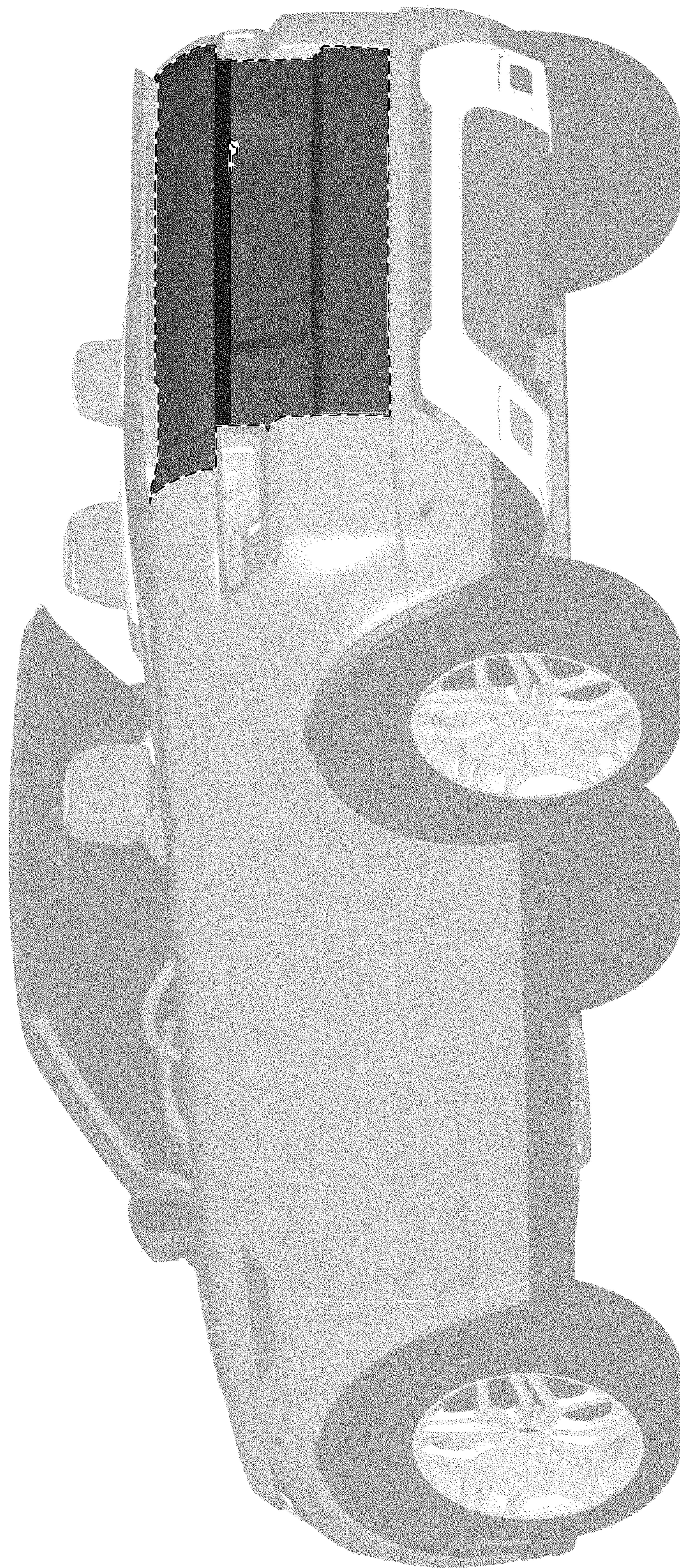


FIG. 8