



US00D775567S

(12) **United States Design Patent**  
**Faghihzadeh**

(10) **Patent No.:** **US D775,567 S**  
(45) **Date of Patent:** **\*\* Jan. 3, 2017**

- (54) **FRONT DOOR FOR A VEHICLE**
- (71) Applicant: **Bayerische Motoren Werke Aktiengesellschaft, Munich, DE (US)**
- (72) Inventor: **Nader Faghihzadeh, Munich (DE)**
- (73) Assignee: **Bayerische Motoren Werke Aktiengesellschaft, Munich (DE)**
- (\*\*) Term: **15 Years**
- (21) Appl. No.: **29/527,518**
- (22) Filed: **May 20, 2015**
- (30) **Foreign Application Priority Data**

Nov. 21, 2014 (DE) ..... 40 2014 101 119

- (51) **LOC (10) Cl.** ..... **12-16**
- (52) **U.S. Cl.**  
USPC ..... **D12/196**
- (58) **Field of Classification Search**  
USPC .... D12/90, 91, 92, 181, 194, 400; D21/424, D21/433, 434; 280/847, 848, 727; 296/180.1, 296/180.5  
CPC ..... B62D 25/00; B62D 25/02; B62D 25/04; B62D 25/18; B62D 25/184  
See application file for complete search history.

(56) **References Cited**

**U.S. PATENT DOCUMENTS**

- D559,152 S \* 1/2008 Okumoto ..... D12/90
- D597,011 S 7/2009 Habib
- D598,355 S \* 8/2009 Sato ..... D12/196
- D601,072 S \* 9/2009 Giachin ..... D12/196
- D638,754 S \* 5/2011 Faghihzadeh ..... D12/92
- D639,209 S \* 6/2011 Faghihzadeh ..... D12/92
- D644,974 S \* 9/2011 Kumai ..... D12/196
- D647,837 S \* 11/2011 Kubo ..... D12/196
- D653,596 S \* 2/2012 Tomatsu ..... D12/196

- D659,619 S \* 5/2012 Hakamata ..... D12/196
- D659,622 S \* 5/2012 Matsumoto ..... D12/196
- D674,328 S \* 1/2013 Ikuma ..... D12/196
- D686,534 S \* 7/2013 Weil ..... D12/92
- D686,957 S \* 7/2013 Kwon ..... D12/196
- D694,163 S \* 11/2013 Yamada ..... D12/196

(Continued)

**FOREIGN PATENT DOCUMENTS**

WO DM/069623 6/2008

*Primary Examiner* — Rosemary K Tarcza

*Assistant Examiner* — Yolanda Robinson

(74) *Attorney, Agent, or Firm* — Crowell & Moring LLP

(57) **CLAIM**

The ornamental design for a front door for a vehicle, as shown and described.

**DESCRIPTION**

This application contains subject matter related to the following co-pending U.S. design patent applications:

Application Ser. No. 29/527,514, filed herewith and entitled “Vehicle, Toy, and/or Replicas Thereof”; and

Application Ser. No. 29/527,524, filed herewith and entitled “Vehicle, Toy, and/or Replicas Thereof”.

FIG. 1 is a front view of a front door for a vehicle according to the design;

FIG. 2 is a left perspective view thereof;

FIG. 3 is a right perspective view thereof;

FIG. 4 is a left side view thereof;

FIG. 5 is a right side view thereof;

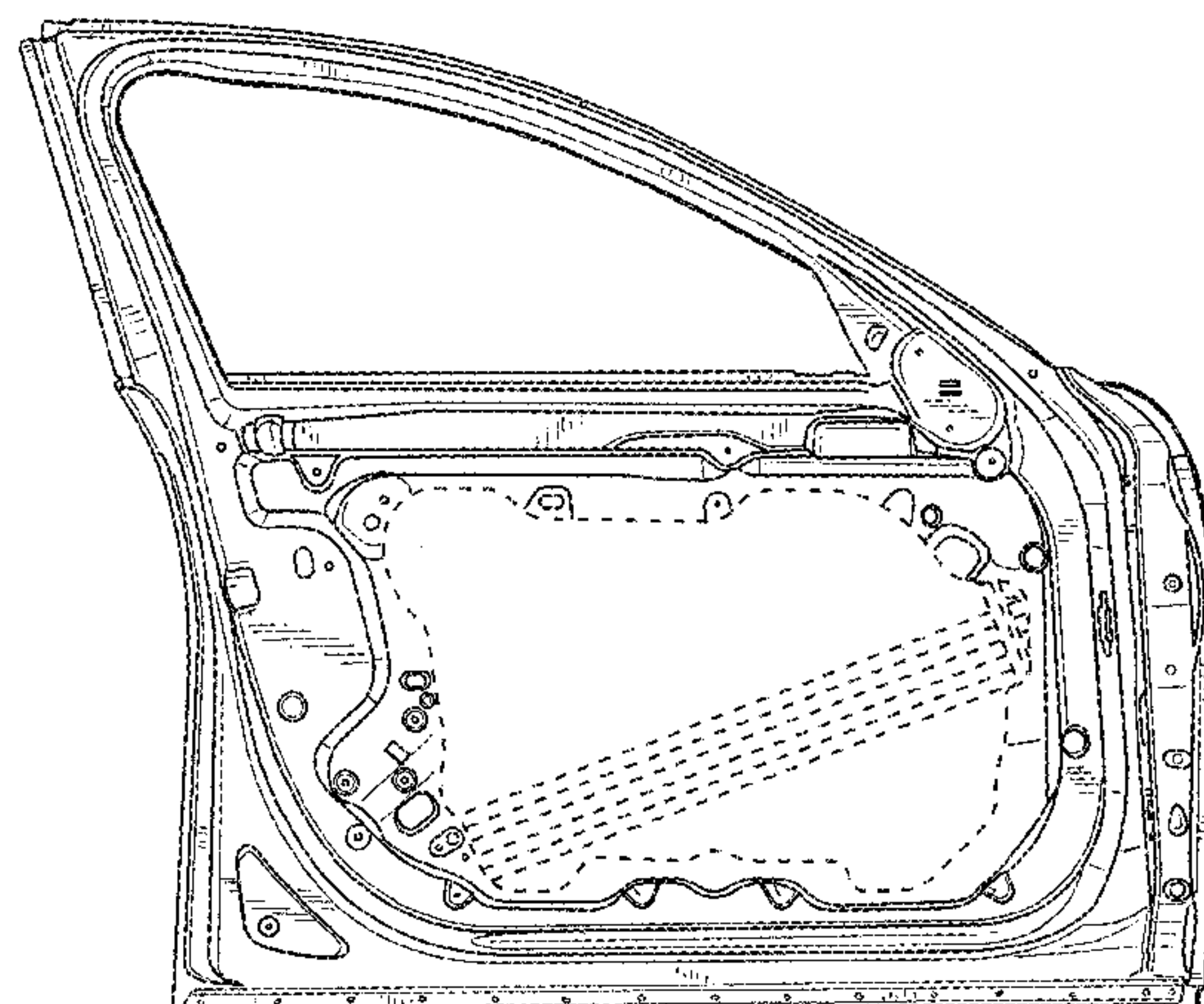
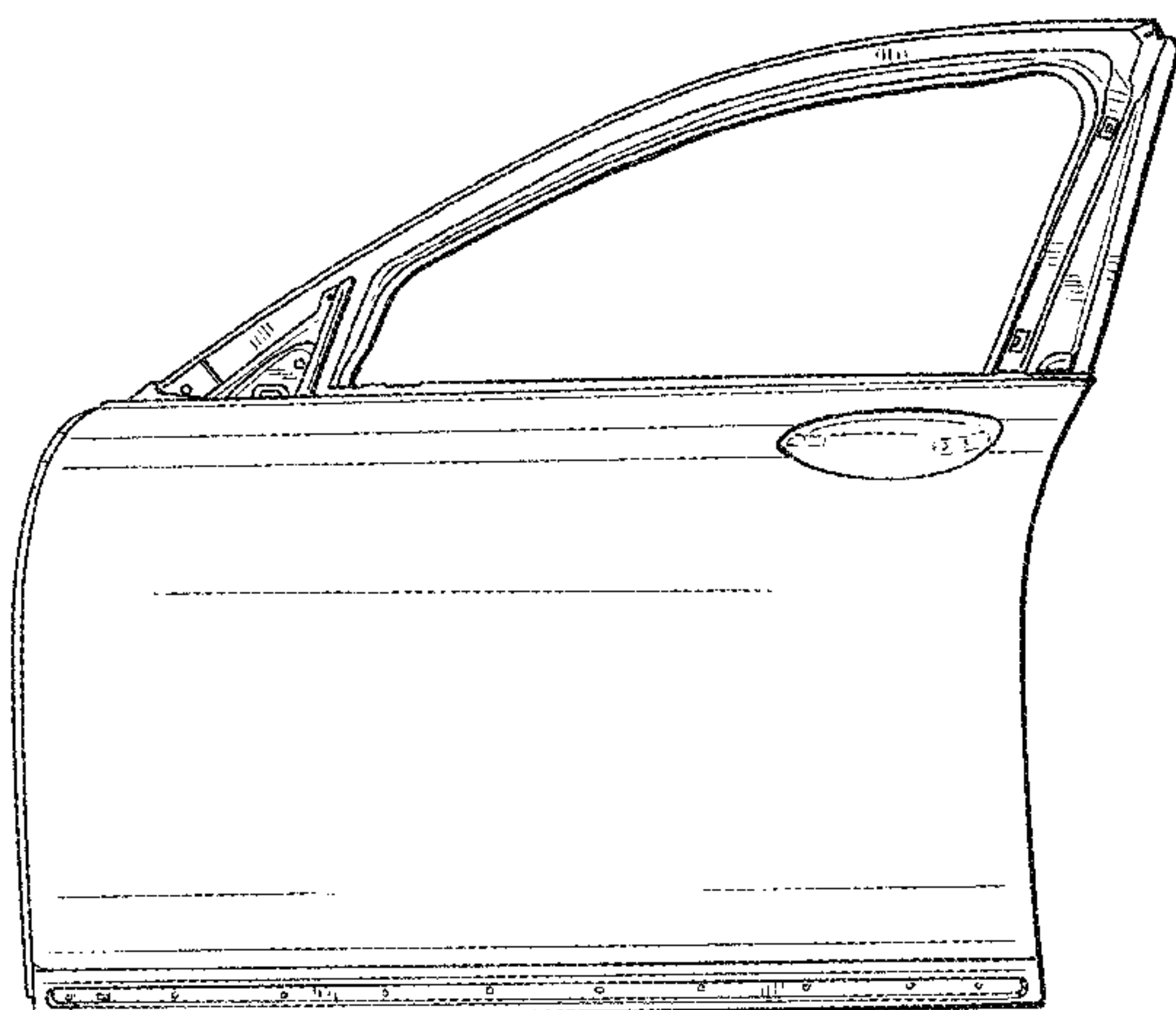
FIG. 6 is a top view thereof;

FIG. 7 is a bottom view thereof; and,

FIG. 8 is a rear view thereof.

The broken lines shown in the drawings illustrate portions of the front door for a vehicle that form no part of the claimed design.

**1 Claim, 7 Drawing Sheets**



(56)

**References Cited**

U.S. PATENT DOCUMENTS

D695,176 S *	12/2013	Matsueda .....	D12/196
D695,178 S *	12/2013	Tada .....	D12/196
D695,663 S *	12/2013	Suga .....	D12/196
D700,121 S *	2/2014	Okue .....	D12/196
D700,875 S *	3/2014	Jevremovic .....	D12/196
D703,123 S *	4/2014	Hildebrand .....	D12/196
D706,190 S *	6/2014	Sakae .....	D12/196
D735,079 S *	7/2015	Sperling .....	D12/92
D737,177 S *	8/2015	Watanabe .....	D12/92

\* cited by examiner

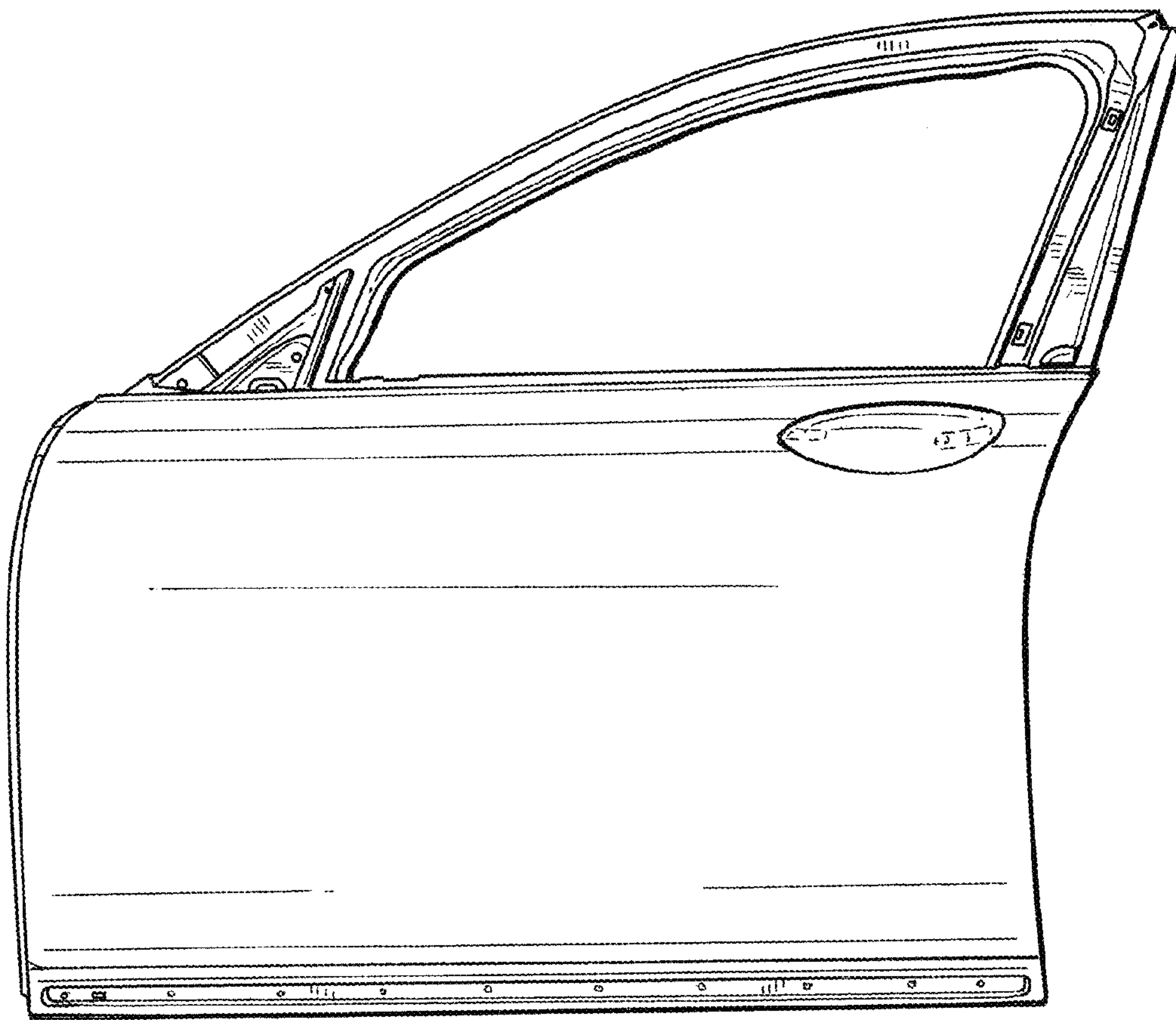


FIG. 1

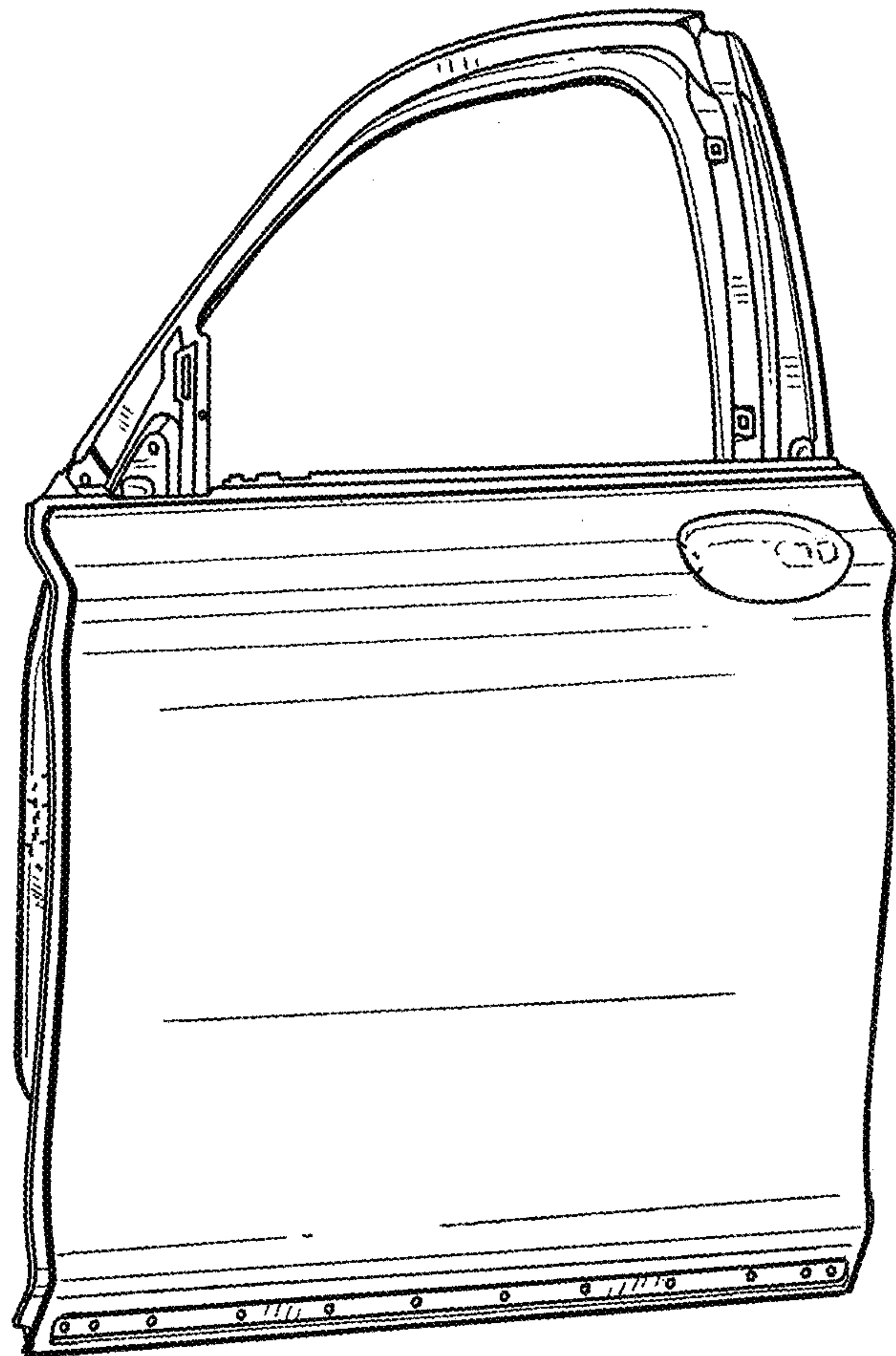


FIG. 2



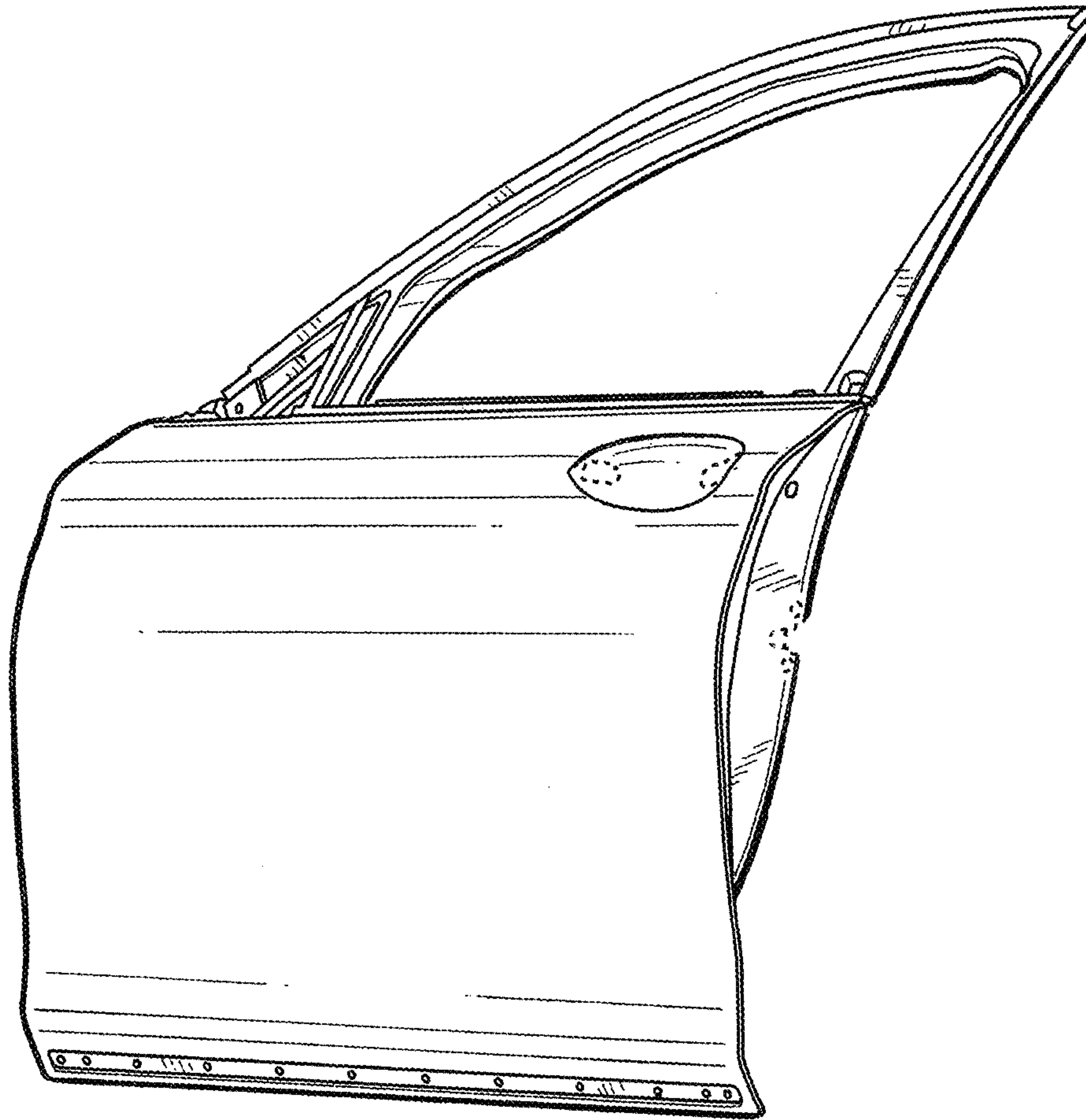


FIG. 3

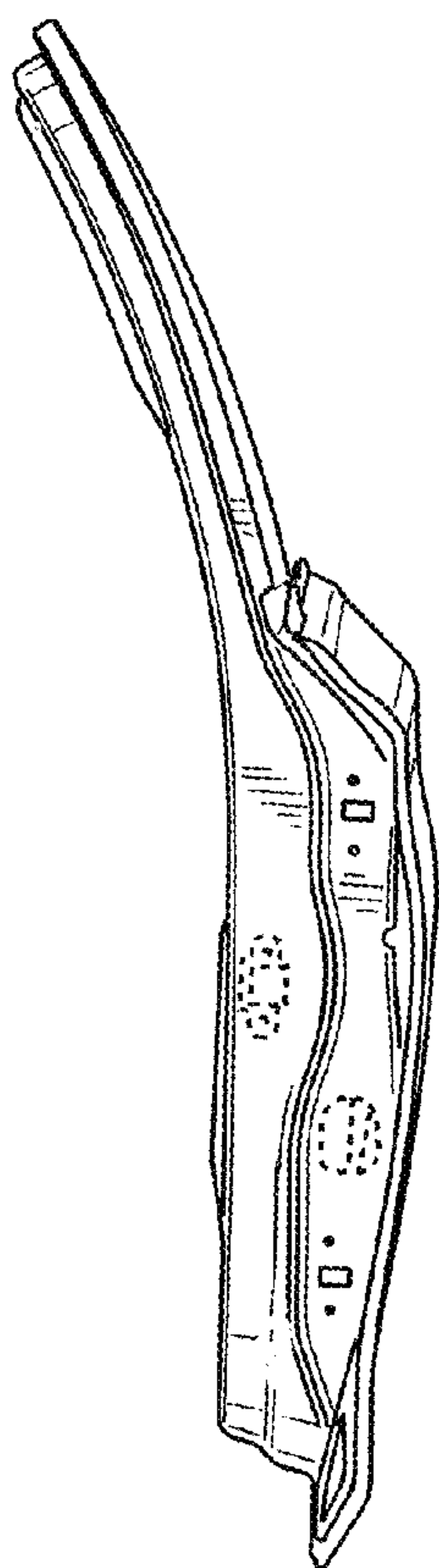


FIG. 4

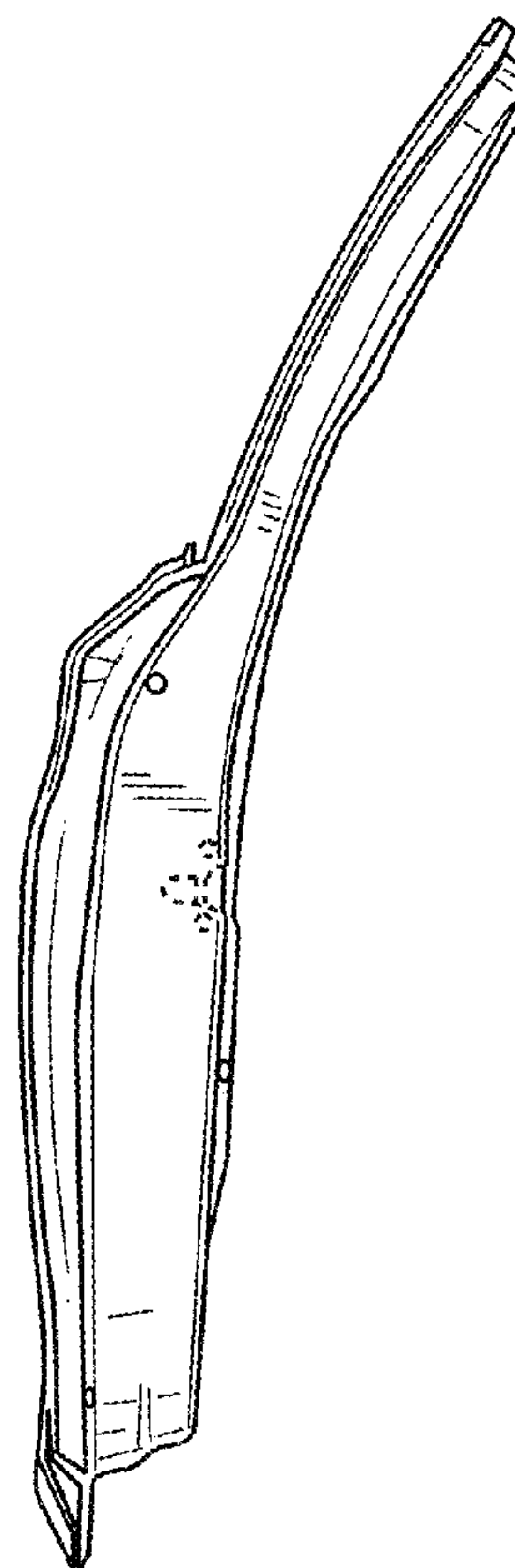


FIG. 5

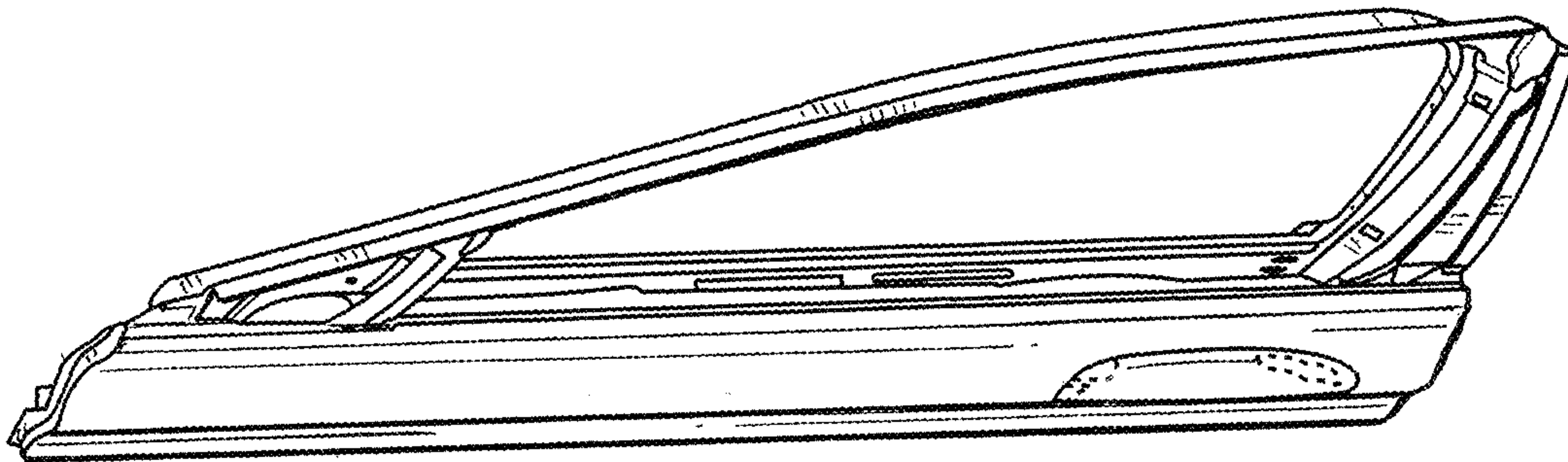


FIG. 6

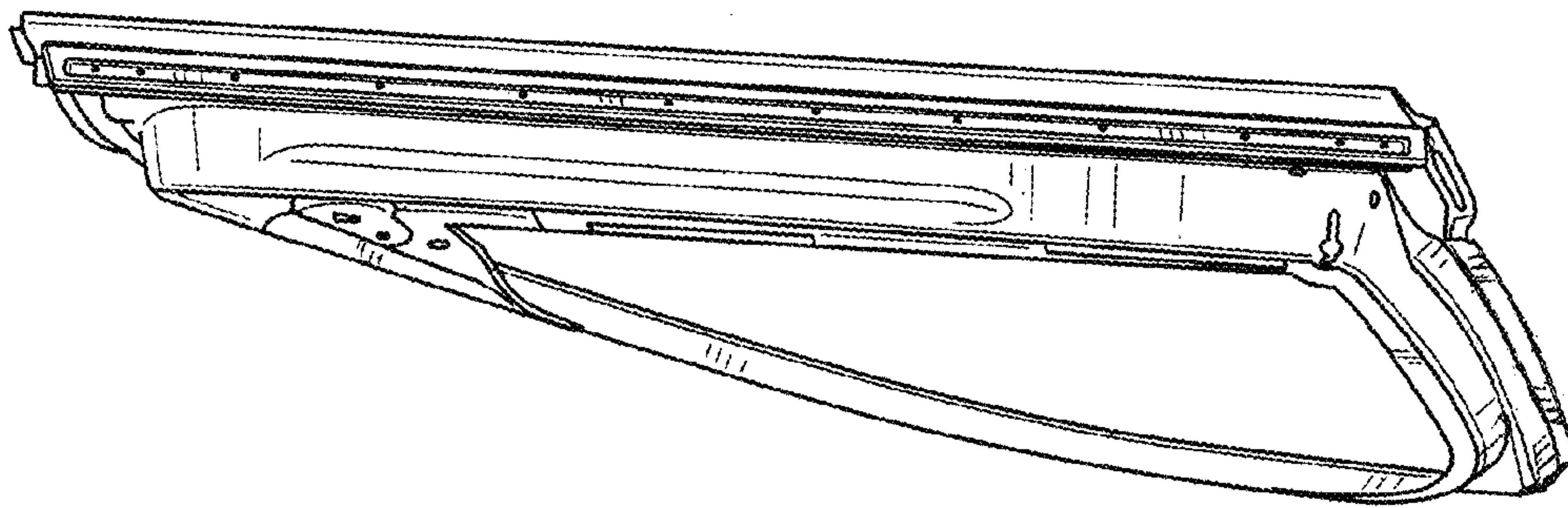


FIG. 7



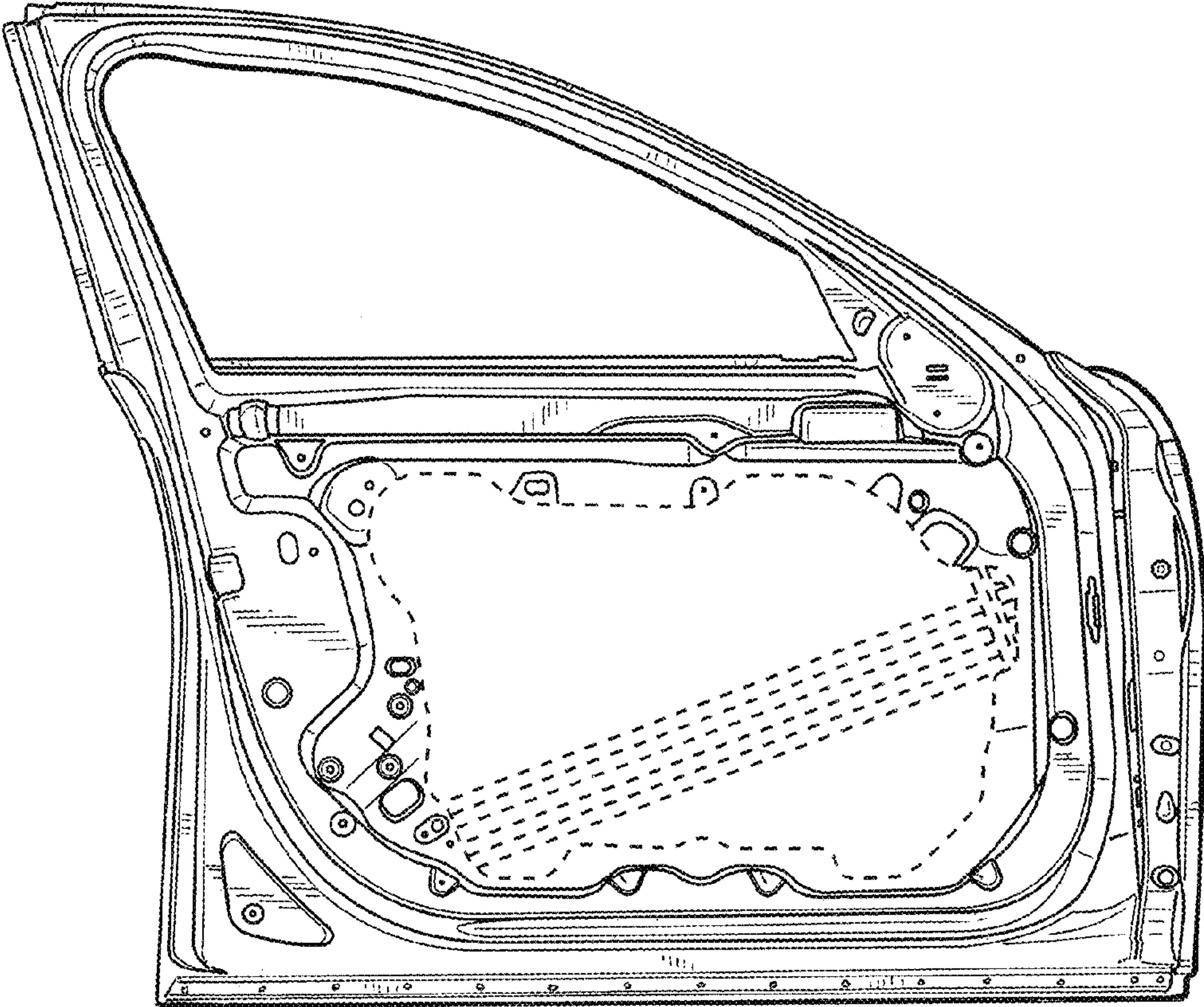


FIG. 8