



US00D775566S

(12) **United States Design Patent**
Schneider

(10) **Patent No.:** **US D775,566 S**
(45) **Date of Patent:** **** Jan. 3, 2017**

- (54) **FRONT DOOR FOR A VEHICLE**
- (71) Applicant: **Bayerische Motoren Werke Aktiengesellschaft, Munich (DE)**
- (72) Inventor: **Alexander Schneider, Munich (DE)**
- (73) Assignee: **Bayerische Motoren Werke Aktiengesellschaft, Munich (DE)**

D653,187 S *	1/2012	Tomatsu	D12/196
D653,596 S *	2/2012	Tomatsu	D12/196
D654,418 S *	2/2012	Hakamata	D12/196
D655,656 S *	3/2012	Kubo	D12/196
D659,619 S *	5/2012	Hakamata	D12/196
D659,622 S *	5/2012	Matsumoto	D12/196
D660,211 S *	5/2012	Ikuma	D12/196
D660,759 S *	5/2012	Matsumoto	D12/196
D671,471 S *	11/2012	Yamada	D12/196
D674,328 S *	1/2013	Ikuma	D12/196

(Continued)

(**) Term: **14 Years**

FOREIGN PATENT DOCUMENTS

(21) Appl. No.: **29/518,114**

WO DM/082111 4/2014

(22) Filed: **Feb. 20, 2015**

Primary Examiner — Rosemary K Tarcza

Assistant Examiner — Yolanda Robinson

(30) **Foreign Application Priority Data**

(74) *Attorney, Agent, or Firm* — Crowell & Moring LLP

Aug. 21, 2014 (DE) 40 2014 100 781

(51) **LOC (10) Cl.** **12-16**

(52) **U.S. Cl.**
USPC **D12/196**

(58) **Field of Classification Search**
USPC D12/90, 91, 92, 181, 184, 196, 400;
D21/424, 433, 434; 280/847, 848, 727;
296/180.1, 180.5

CPC B62D 25/00; B62D 25/02; B62D 25/04;
B62D 25/18; B62D 25/184; B60J
5/04; B60J 5/0401; B60J 5/0412

See application file for complete search history.

(56) **References Cited**

U.S. PATENT DOCUMENTS

D559,152 S *	1/2008	Okumoto	D12/90
D598,355 S *	8/2009	Sato	D12/196
D601,072 S *	9/2009	Giachin	D12/196
D629,730 S *	12/2010	Schneider	D12/196
D644,974 S *	9/2011	Kumai	D12/196
D645,388 S *	9/2011	Kumai	D12/196
D647,837 S *	11/2011	Kubo	D12/196

(57) **CLAIM**

The ornamental design for a front door for a vehicle, as shown and described.

DESCRIPTION

This application contains subject matter related to the following co-pending U.S. design patent application:

Application Ser. No. 29/518,111, filed herewith and entitled "Vehicle, Toy, and/or Replicas Thereof".

FIG. 1 is a front view of a front door for a vehicle according to the design;

FIG. 2 is a left perspective view thereof;

FIG. 3 is a right perspective view thereof;

FIG. 4 is a left side view thereof;

FIG. 5 is a right side view thereof;

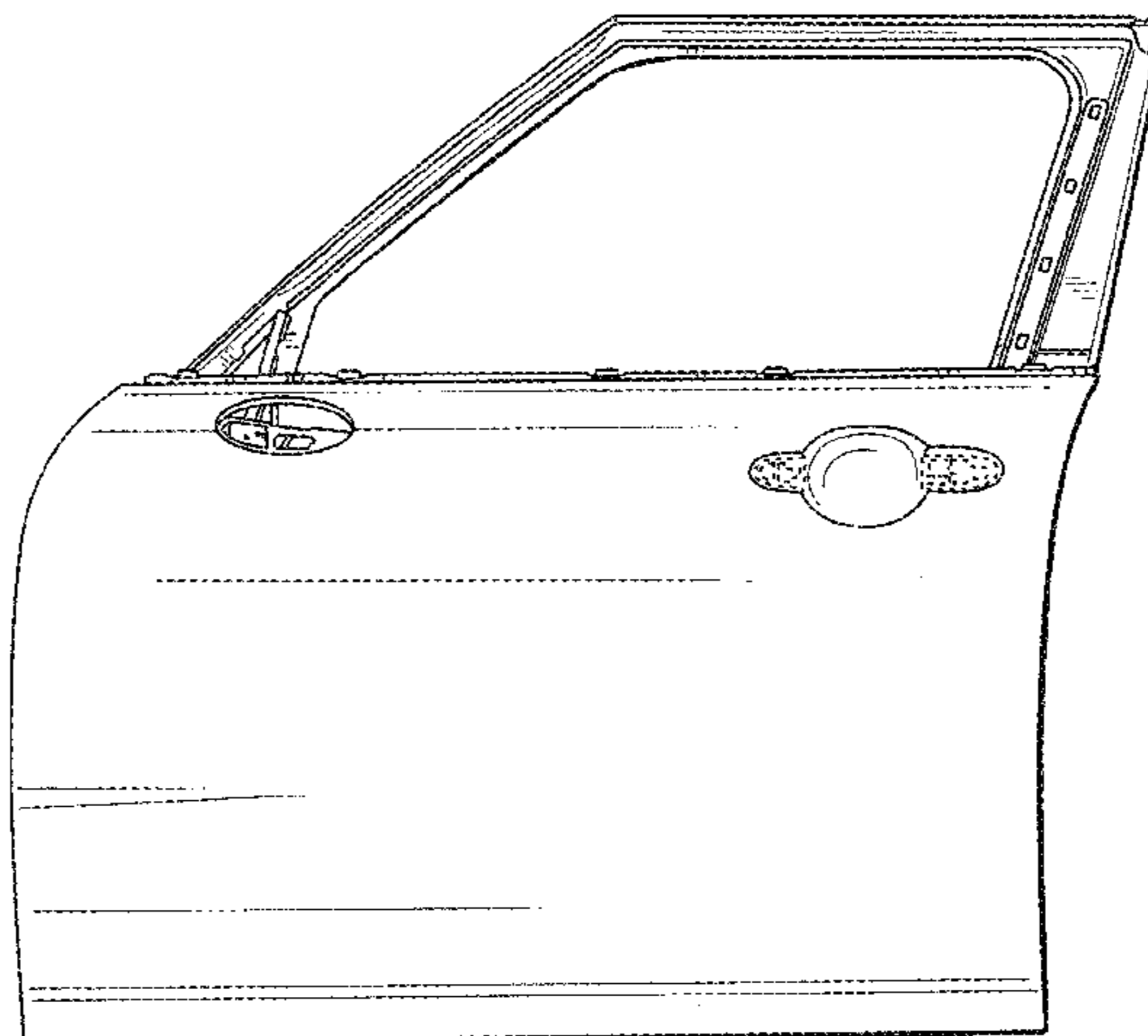
FIG. 6 is a top view thereof;

FIG. 7 is a bottom view thereof; and,

FIG. 8 is a rear view thereof.

The broken lines in the drawings illustrate environmental subject matter only and form no part of the claimed design.

1 Claim, 7 Drawing Sheets



(56)

References Cited

U.S. PATENT DOCUMENTS

D676,366	S	*	2/2013	Yamada	D12/196
D686,534	S	*	7/2013	Weil	D12/92
D686,553	S	*	7/2013	Kwon	D12/196
D686,957	S	*	7/2013	Kwon	D12/196
D694,163	S	*	11/2013	Yamada	D12/196
D694,691	S	*	12/2013	Matsueda	D12/196
D695,176	S	*	12/2013	Matsueda	D12/196
D695,178	S	*	12/2013	Tada	D12/196
D695,179	S	*	12/2013	Tada	D12/196
D695,661	S	*	12/2013	Asano	D12/196
D695,663	S	*	12/2013	Suga	D12/196
D695,664	S	*	12/2013	Suga	D12/196
D699,654	S	*	2/2014	Okue	D12/196
D699,657	S	*	2/2014	Jevremovic	D12/196
D700,121	S	*	2/2014	Okue	D12/196
D700,875	S	*	3/2014	Jevremovic	D12/196
D701,809	S	*	4/2014	Hildebrand	D12/196
D703,123	S	*	4/2014	Hildebrand	D12/196
D705,149	S	*	5/2014	Sakae	D12/196
D706,190	S	*	6/2014	Sakae	D12/196
D710,758	S	*	8/2014	Suzuki	D12/86
D718,666	S	*	12/2014	Hammoud	D12/92
D735,079	S	*	7/2015	Sperling	D12/92
D737,177	S	*	8/2015	Watanabe	D12/92
D740,176	S	*	10/2015	Bischoff	D12/90

* cited by examiner

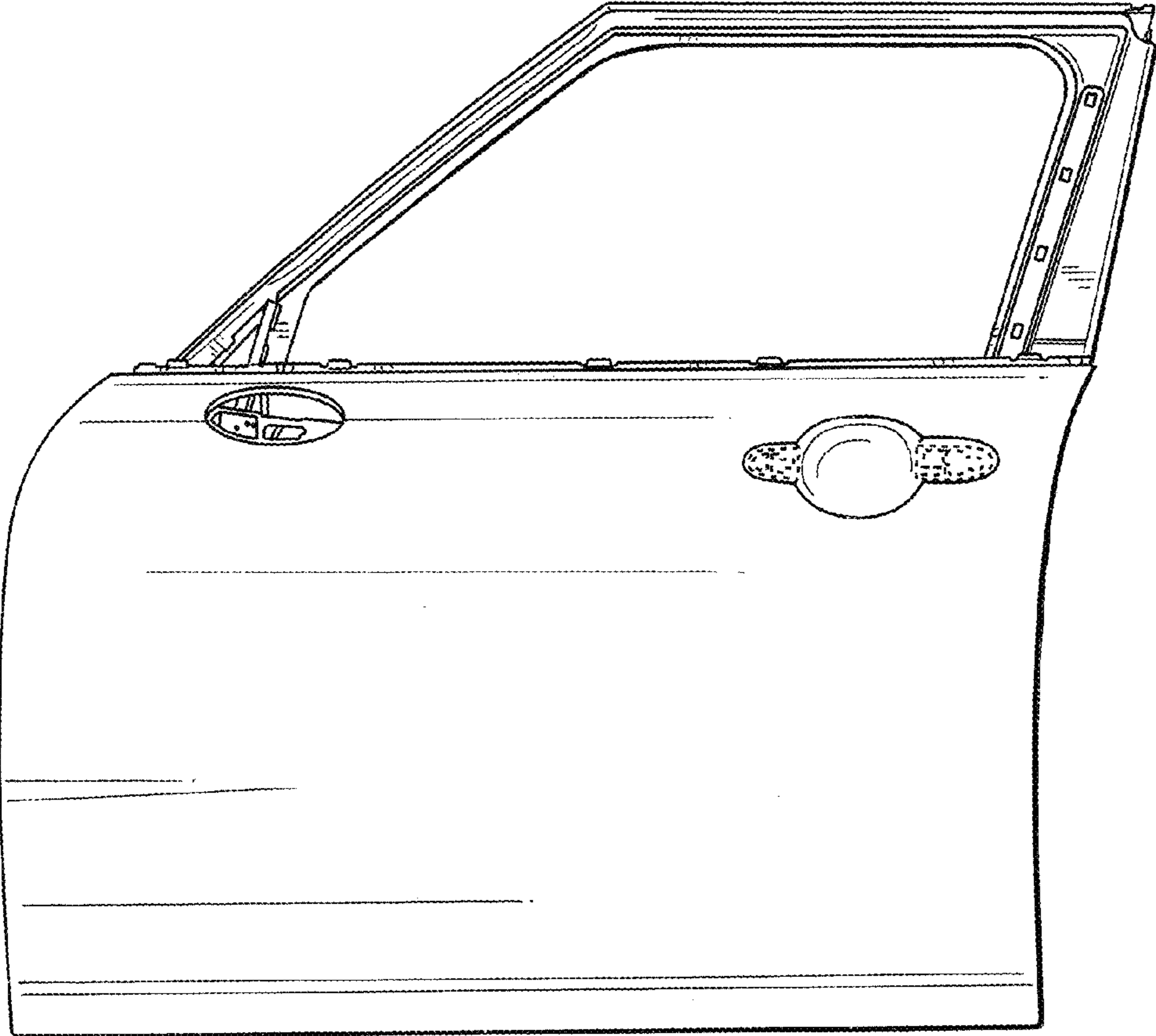


FIG. 1

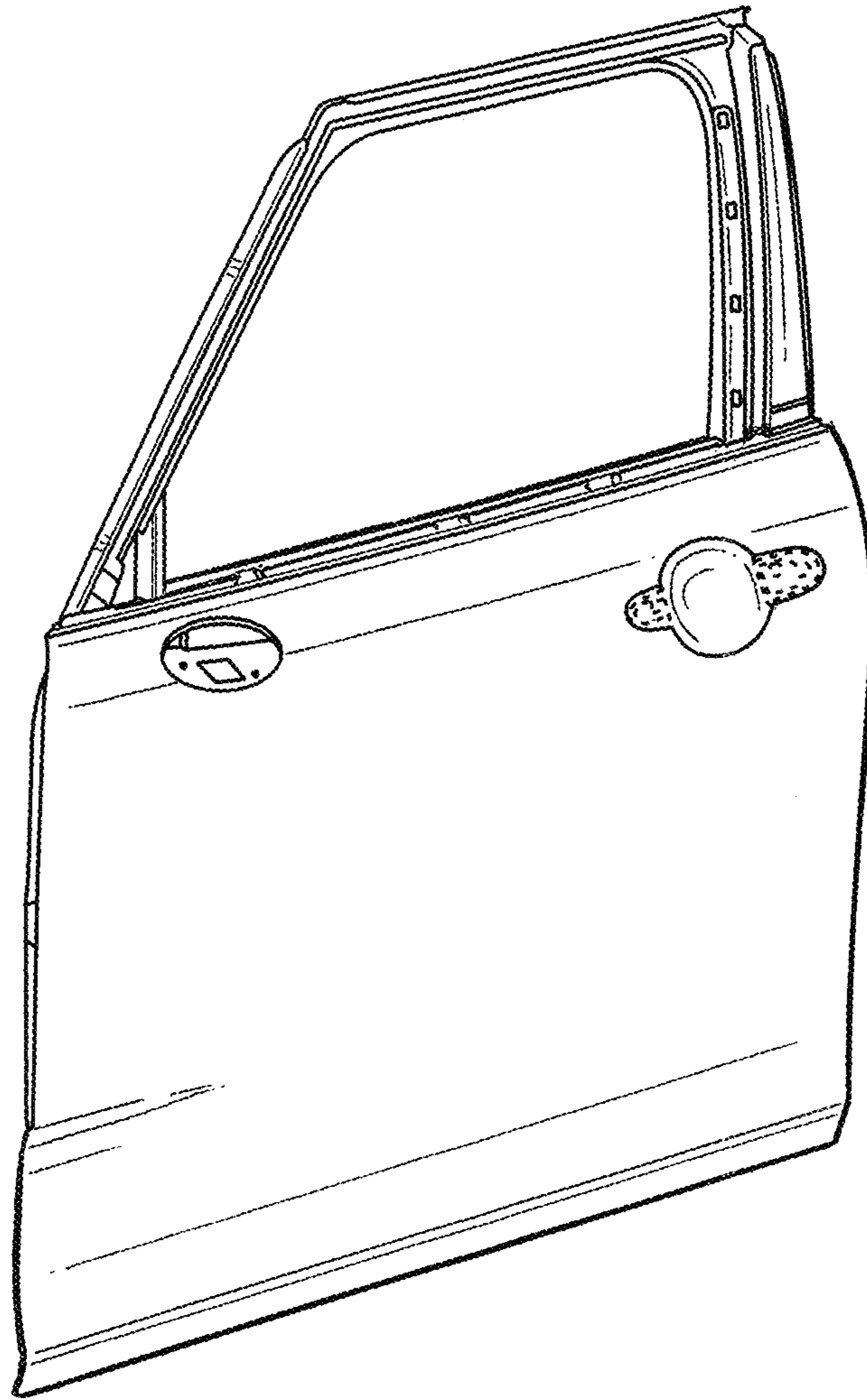


FIG. 2

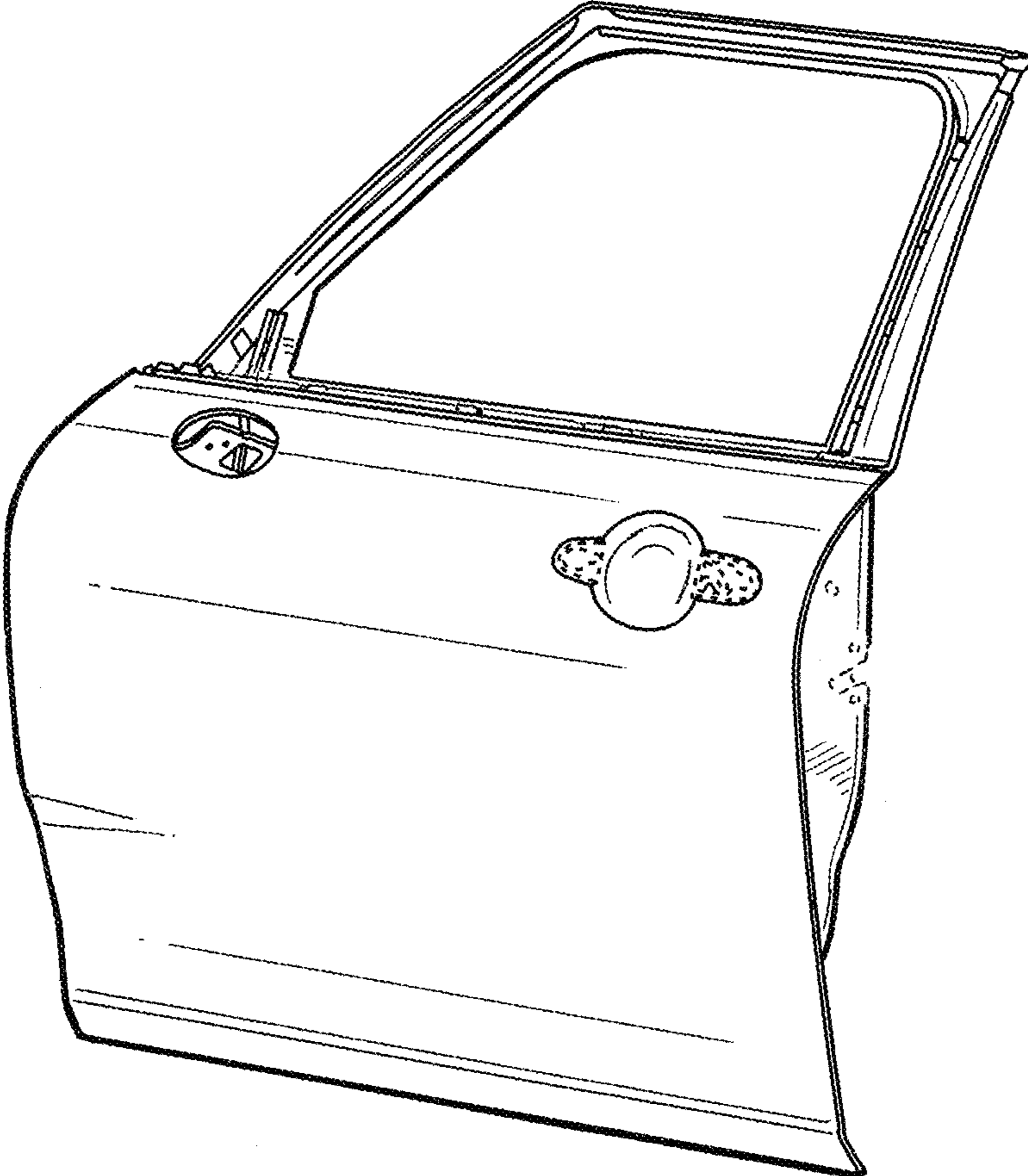


FIG. 3

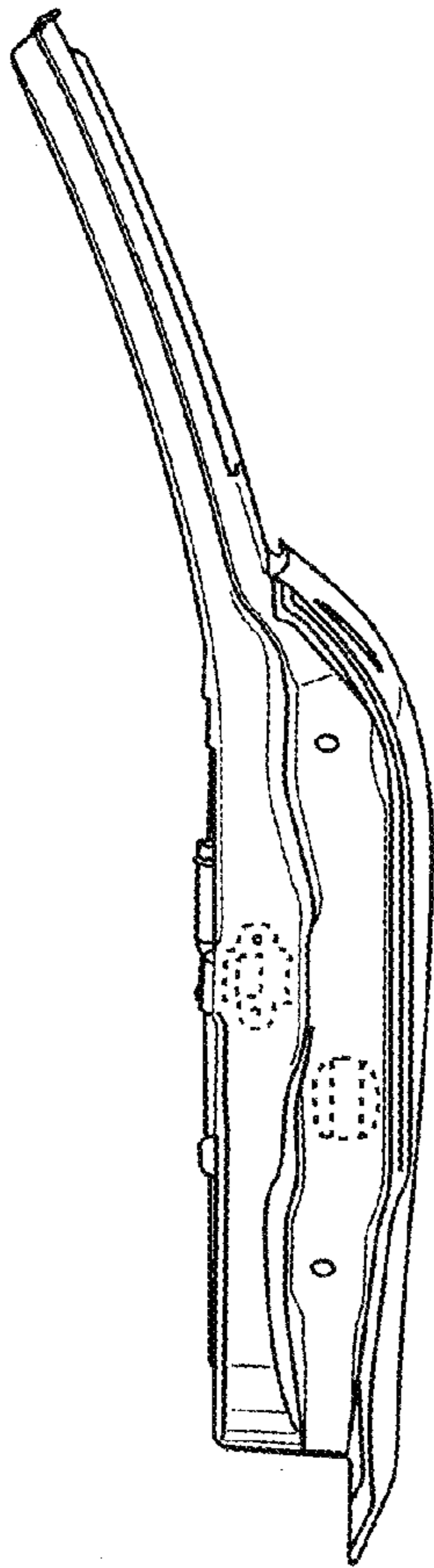


FIG. 4

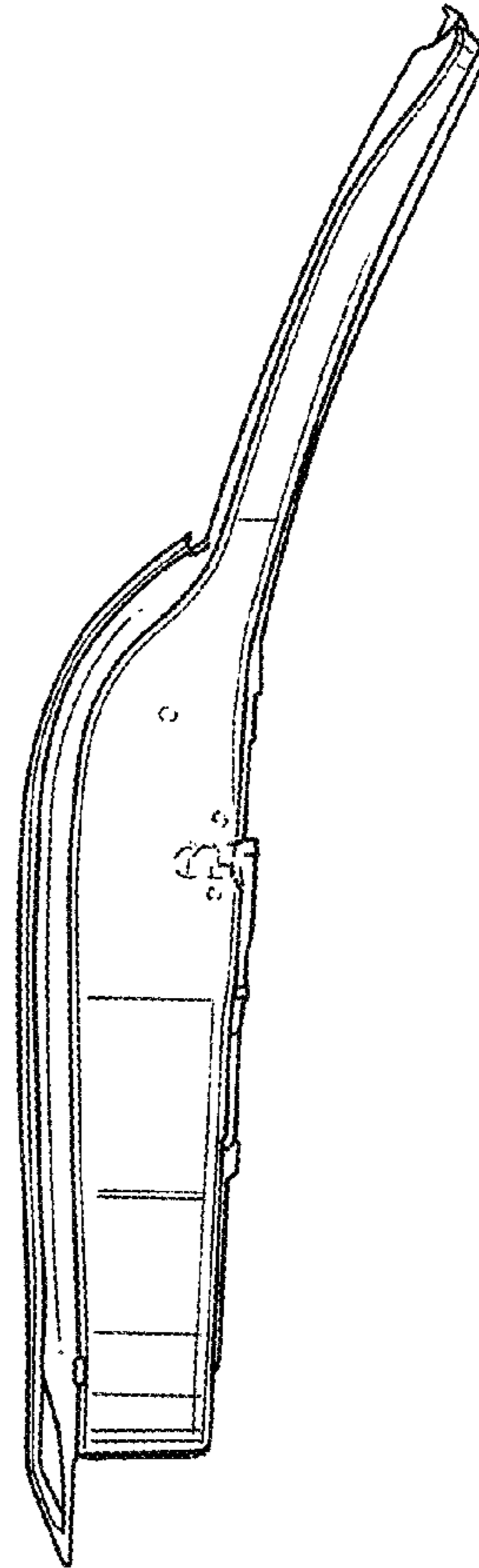


FIG. 5

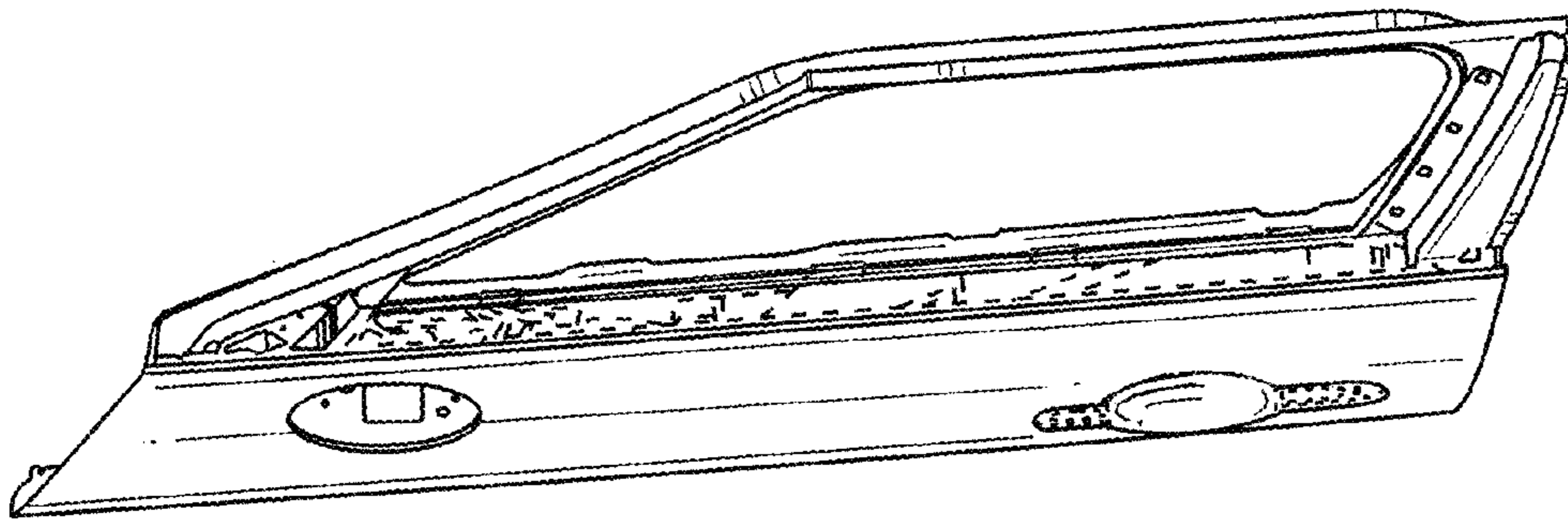


FIG. 6

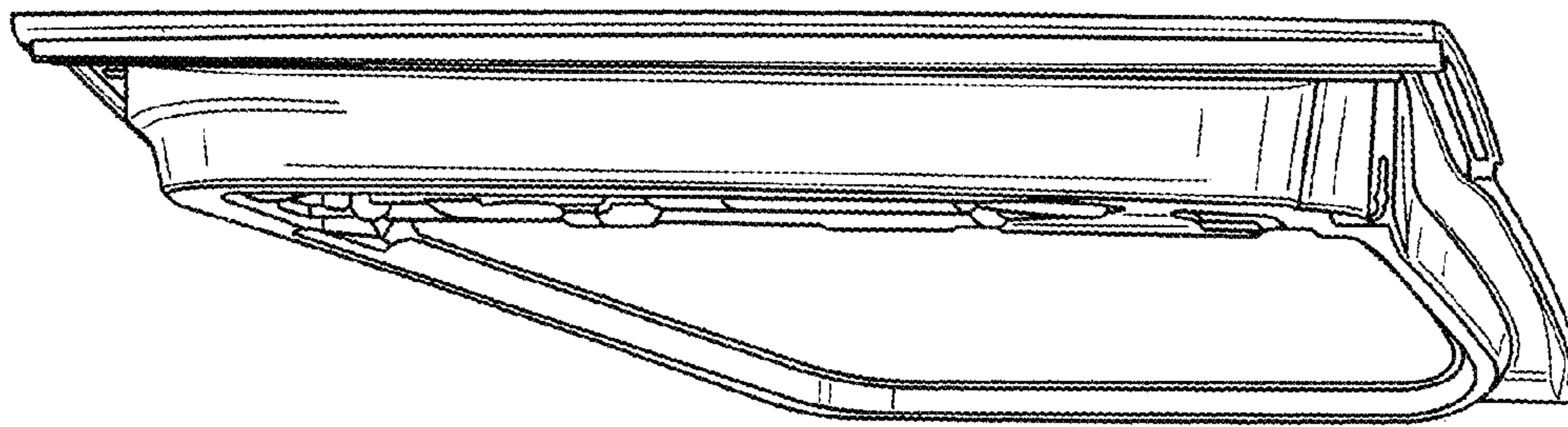


FIG. 7

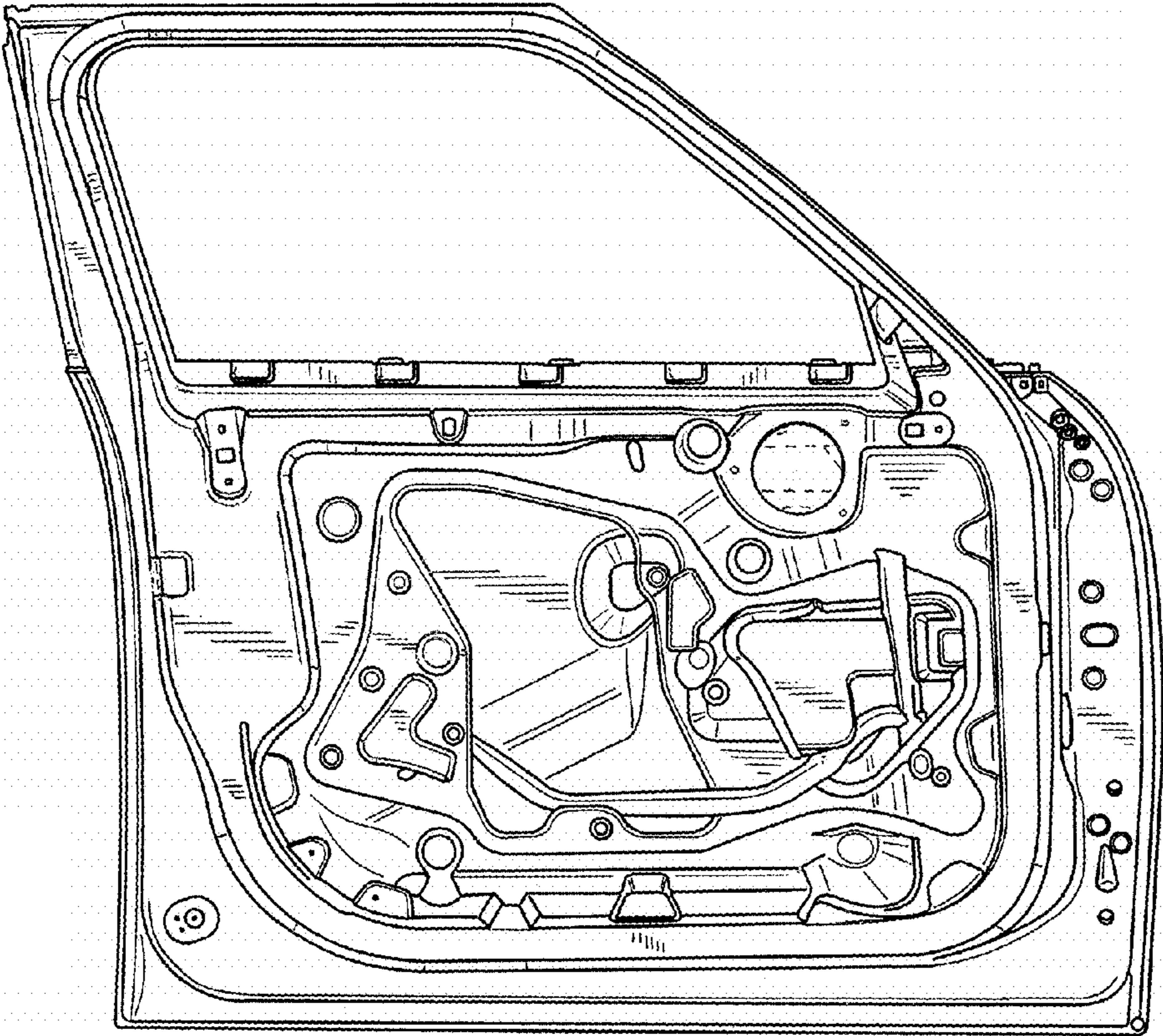


FIG. 8