



US00D775564S

(12) **United States Design Patent**
Perez et al.

(10) **Patent No.:** **US D775,564 S**
(45) **Date of Patent:** **** Jan. 3, 2017**

(54) **VEHICLE LICENSE PLATE FRAME WITH FOOTBALL HELMET FACE MASK MOTIF**

(71) Applicants: **Paul A. Perez**, Elk Grove, CA (US);
Reuben D. Nathan, Newport Beach, CA (US)

(72) Inventors: **Paul A. Perez**, Elk Grove, CA (US);
Reuben D. Nathan, Newport Beach, CA (US)

(**) Term: **14 Years**

(21) Appl. No.: **29/507,291**

(22) Filed: **Oct. 26, 2014**

(51) **LOC (10) Cl.** **12-16**

(52) **U.S. Cl.**
USPC **D12/193**

(58) **Field of Classification Search**
USPC D12/193, 162, 194, 223, 420, 421;
D29/130, 129, 108, 122, 111;
D06/300-305, 310-314, 563, 564;
D21/788; D20/13
CPC B60R 13/00; B60R 13/005; B60R 13/10;
B60R 13/105; B60R 2011/004; B60R
9/06; B60R 1/06; B60R 1/2019; B60R
1/1886

See application file for complete search history.

(56) **References Cited**

U.S. PATENT DOCUMENTS

1,573,113 A * 2/1926 Irie B60R 25/00
40/201
4,956,930 A * 9/1990 Troncoso G09F 7/16
40/200

5,813,640 A * 9/1998 Koch G09F 7/18
248/222.11
D441,332 S * 5/2001 McBroom D12/193
7,316,433 B2 * 1/2008 Levine B60R 19/00
293/102
D587,855 S * 3/2009 Nimmons D29/106
D587,857 S * 3/2009 Nimmons D29/122
D590,106 S * 4/2009 Nimmons D29/122
D663,663 S * 7/2012 Perez D12/193
D677,204 S * 3/2013 Perez D12/193
D714,697 S * 10/2014 Perez D12/193
D725,392 S * 3/2015 Goodwin D6/303
D758,669 S * 6/2016 Collette D29/111

* cited by examiner

Primary Examiner — Kevin Rudzinski
Assistant Examiner — Paul Bohannon
(74) *Attorney, Agent, or Firm* — William L. Chapin

(57) **CLAIM**

The ornamental design for a vehicle license plate frame with football helmet face mask motif, as shown and described.

DESCRIPTION

FIG. 1 is a front perspective view of a vehicle license plate frame with football helmet face mask motif according to the present invention.
FIG. 2 is a front elevation view thereof.
FIG. 3 is a right side elevation view thereof, the left side elevation view being a mirror image thereof.
FIG. 4 is a top view thereof.
FIG. 5 is a bottom view thereof; and,
FIG. 6 is a rear elevation view thereof.

1 Claim, 3 Drawing Sheets

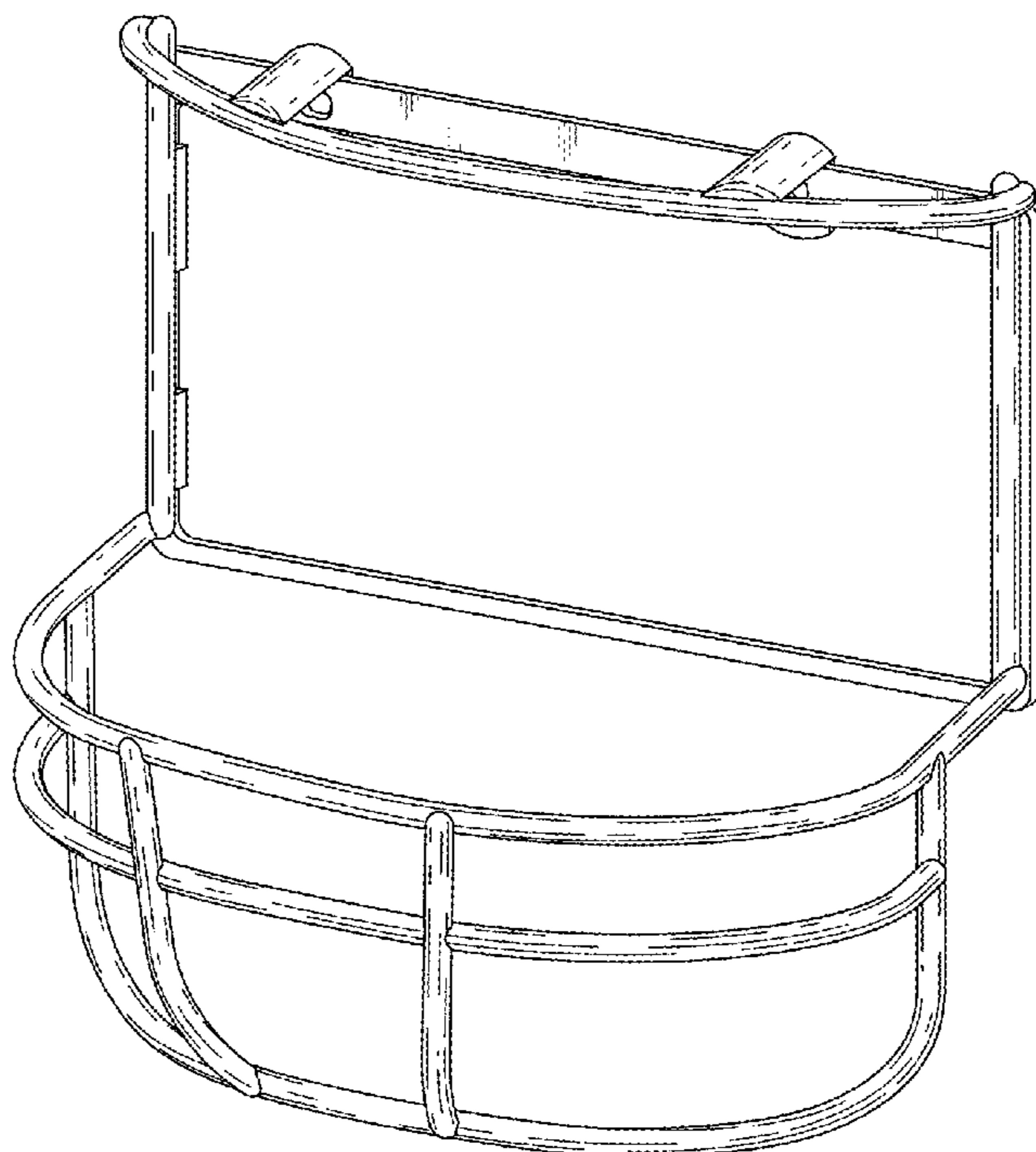


Fig. 1

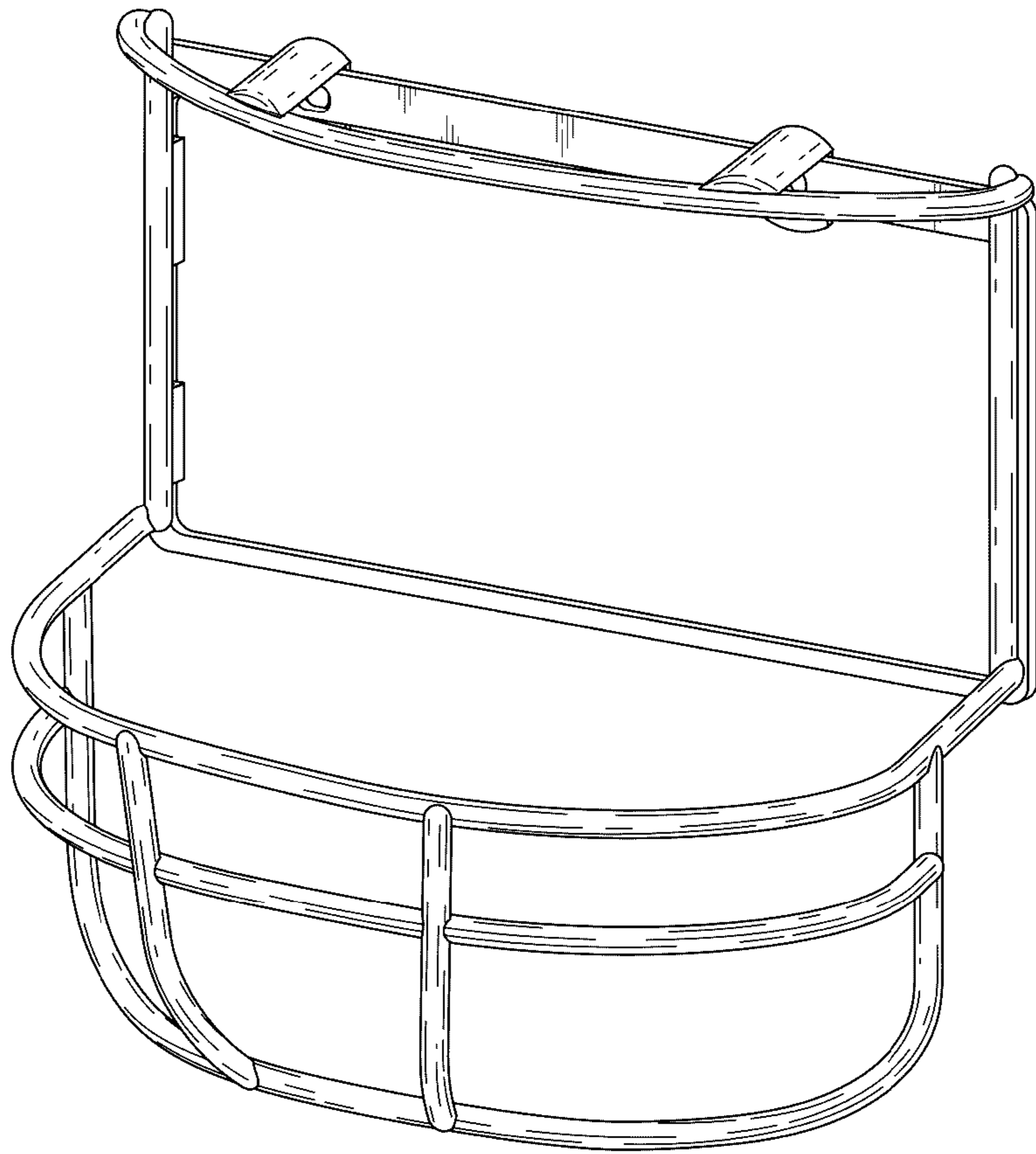


Fig. 2

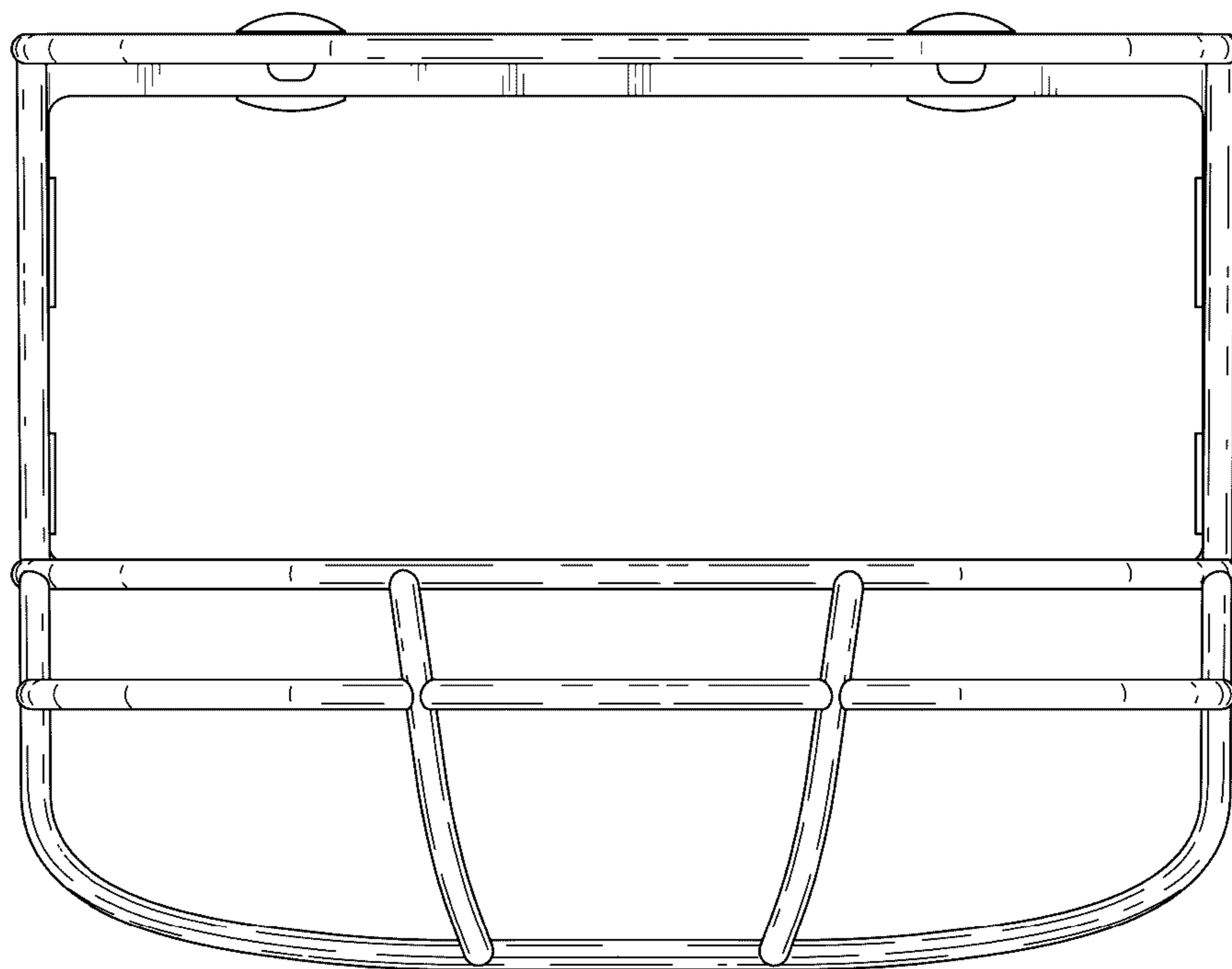


Fig. 3

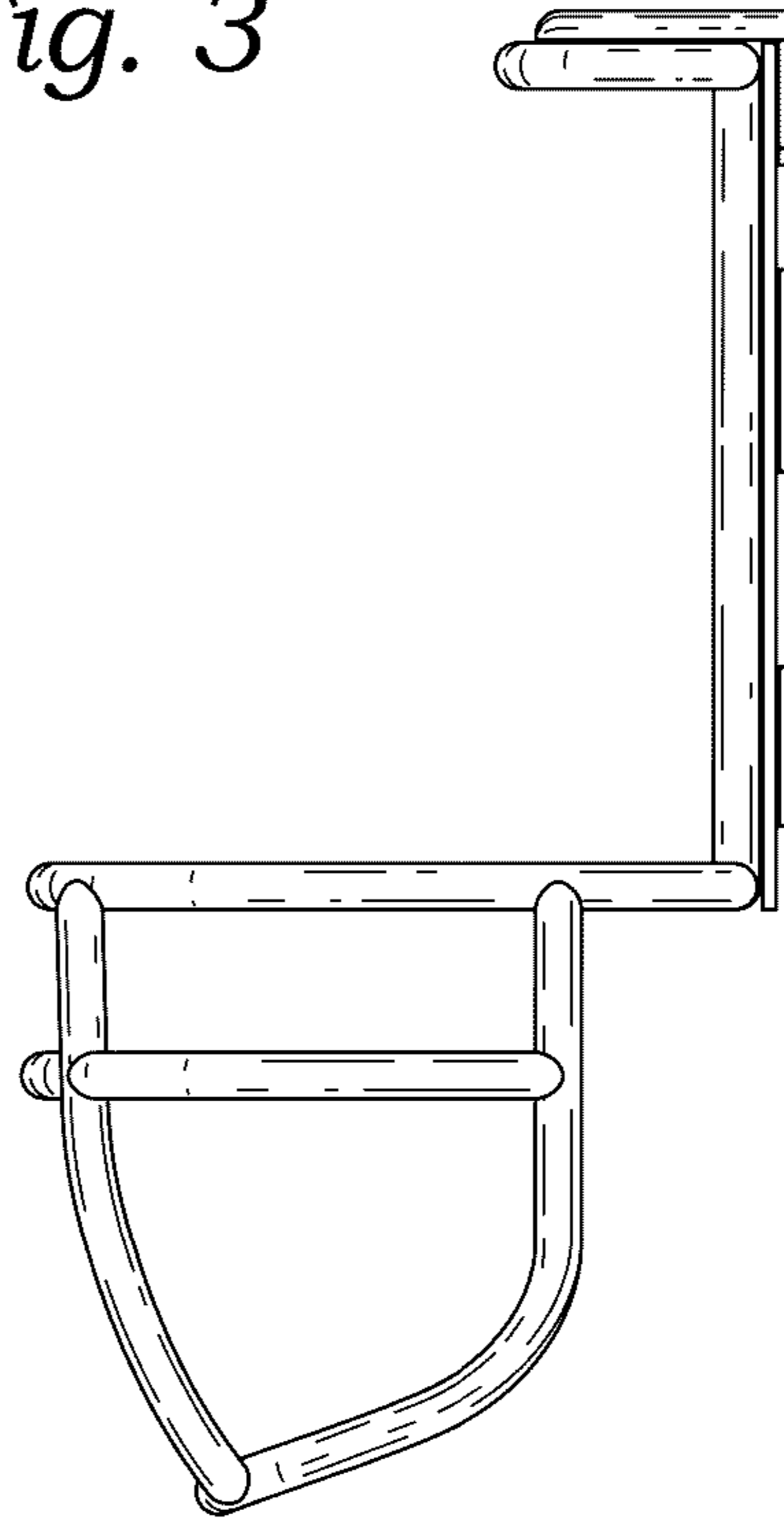


Fig. 4

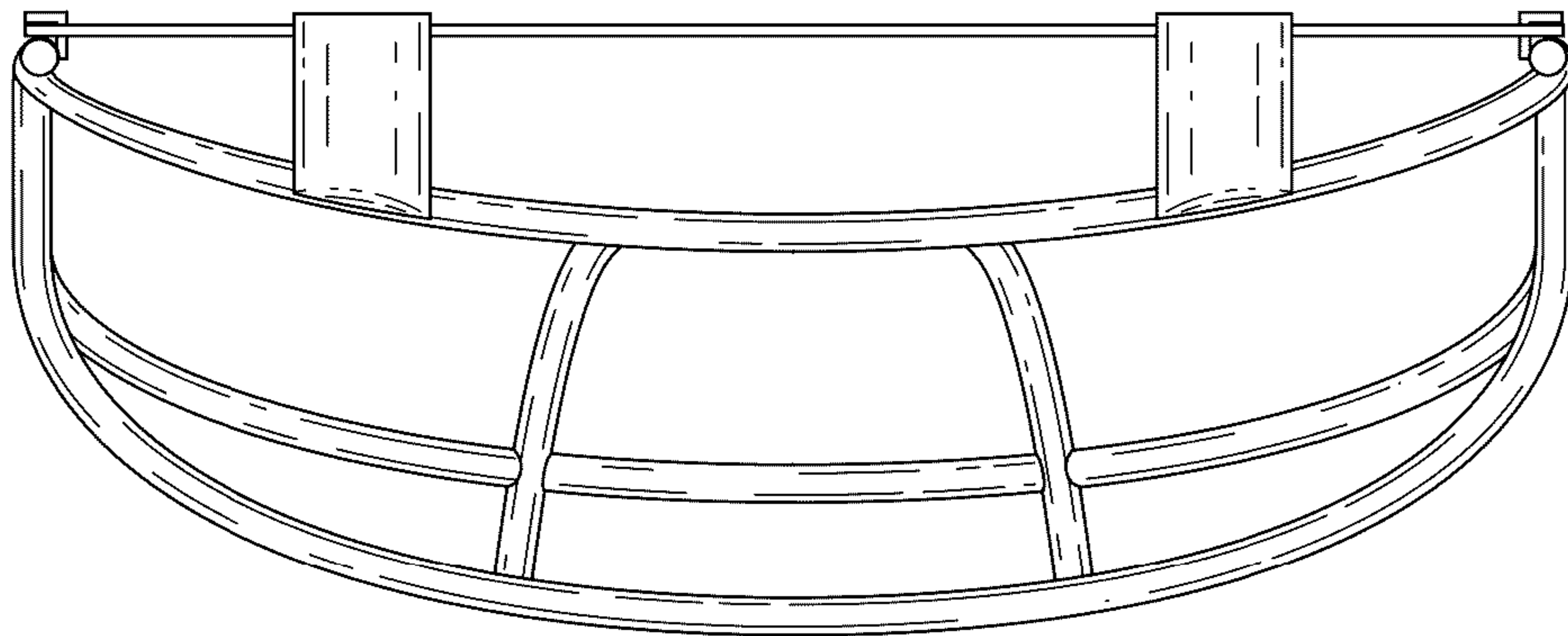


Fig. 5

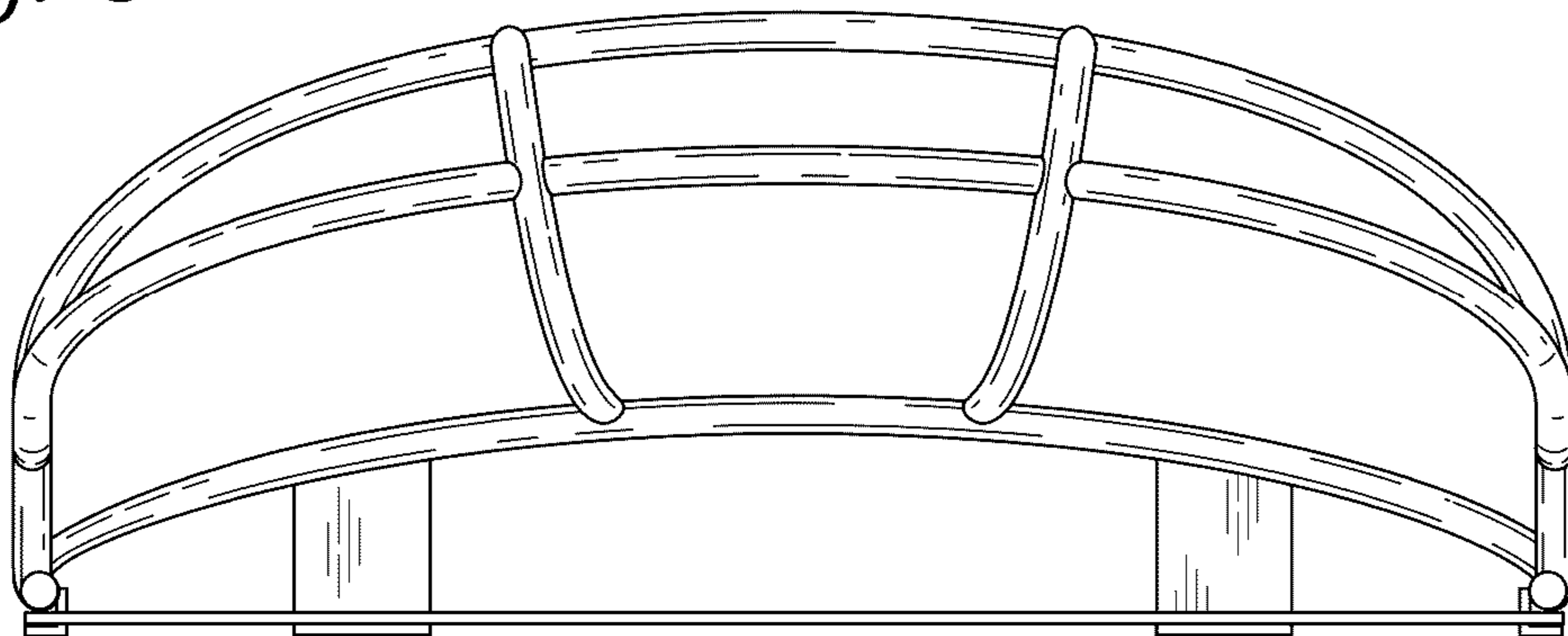


Fig. 6

