



US00D775563S

(12) **United States Design Patent**
Shan

(10) **Patent No.:** **US D775,563 S**
(45) **Date of Patent:** **** Jan. 3, 2017**

(54) **ALL-TERRAIN VEHICLE DASHBOARD WITH STEERING WHEEL**

(71) Applicant: **Massimo Motor Sports, LLC**, Irving, TX (US)

(72) Inventor: **Jianxun David Shan**, Plano, TX (US)

(73) Assignee: **Massimo Motor Sports, LLC**, Irving, TX (US)

(**) Term: **14 Years**

(21) Appl. No.: **29/506,553**

(22) Filed: **Oct. 16, 2014**

(51) **LOC (10) Cl.** **12-16**

(52) **U.S. Cl.**
USPC **D12/192**

(58) **Field of Classification Search**
USPC D12/3, 4, 5, 14, 85, 86, 87, 107, 110, D12/114, 192, 415; 280/183–185, DIG. 5, 280/1, 16, 82, 88, 90, 14, 750–752; 180/233, 908, 90; D10/46, 98, 102–103, D10/122–127; D15/17, 28; 296/70, 296/190.01–190.09, 191
CPC A01B 59/02; A61G 3/08; B62B 5/04; B62B 13/10; B62B 19/04; B62B 2202/404; B62C 9/00; B62D 7/22; B62K 5/01; B60K 23/0808; B60K 35/00; B60K 37/04; B60K 37/06; B60R 11/0235; B60R 11/0252
See application file for complete search history.

(56) **References Cited**

U.S. PATENT DOCUMENTS

D270,825 S * 10/1983 Luthé D12/192
D285,915 S * 9/1986 Luthé D12/192
D336,459 S * 6/1993 Tisten D12/192
5,261,502 A * 11/1993 Kronholm, Jr. B60K 37/06
180/326

D394,834 S * 6/1998 Sacco D12/192
6,042,139 A * 3/2000 Knox B29C 45/14336
280/728.3
D494,115 S * 8/2004 McPeck D12/192
7,140,670 B2 * 11/2006 Olson B62D 33/06
280/756
D538,721 S * 3/2007 Woodard, Jr. D12/192
D555,036 S * 11/2007 Eck D12/87
D578,934 S * 10/2008 Tanaka D12/14
D586,694 S * 2/2009 Huang D12/14
D586,714 S * 2/2009 Woodard, Jr. D12/192
D622,631 S * 8/2010 Lai D12/87
D625,662 S * 10/2010 Li D12/87
D631,395 S * 1/2011 Tandrup D12/14

(Continued)

FOREIGN PATENT DOCUMENTS

JP 2010014008 A * 1/2010
JP 2010215165 A * 9/2010

Primary Examiner — Darlington Ly
(74) *Attorney, Agent, or Firm* — Winstead PC

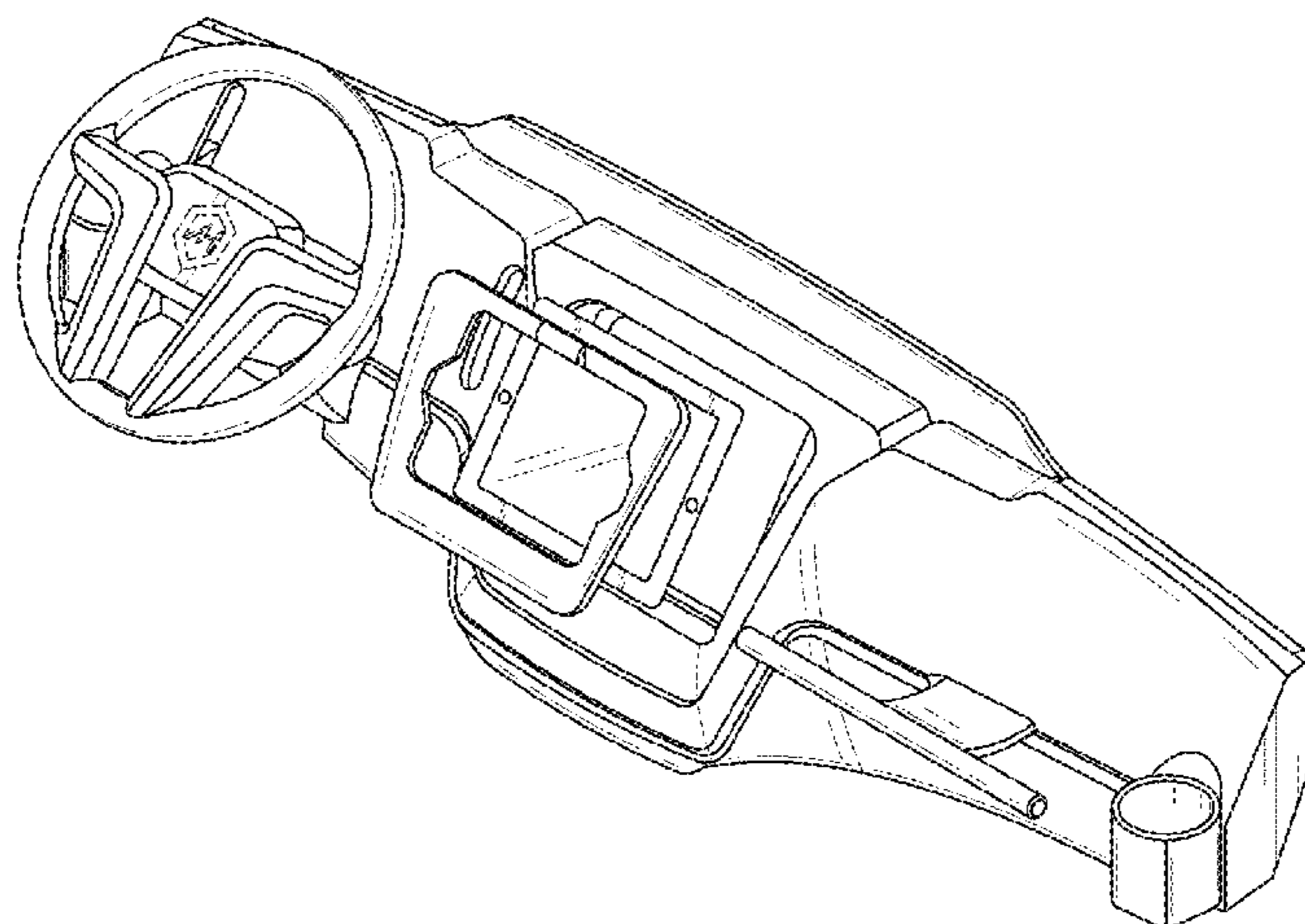
(57) **CLAIM**

The ornamental design for an all-terrain vehicle dashboard with steering wheel, as shown and described.

DESCRIPTION

FIG. 1 is a top plan view of an all-terrain vehicle dashboard with steering wheel showing my new design;
FIG. 2 is a front elevation view thereof;
FIG. 3 is a top and front perspective view thereof;
FIG. 4 is a top and front perspective view thereof, with portions of the display bezel exploded from the dashboard; and,
FIG. 5 is a front perspective view thereof, with portions of the display bezel exploded from the dashboard.
The broken line showing the emblem feature at the center of the steering wheel hub is provided for the purpose of illustrating portions of the article that forms no part of the claimed design.

1 Claim, 5 Drawing Sheets



(56)

References Cited

U.S. PATENT DOCUMENTS

D633,006 S * 2/2011 Sanschagrín D12/1
7,950,486 B2 * 5/2011 Van Bronkhorst .. B60G 15/063
180/89.11
D697,850 S * 1/2014 Waugh D12/192
D699,627 S * 2/2014 Tang D12/14
8,746,719 B2 * 6/2014 Safranski B60G 3/14
280/124.148
8,777,290 B1 * 7/2014 Boese B60K 37/02
180/90
2012/0031693 A1 * 2/2012 Deckard B60K 13/02
180/68.3
2014/0210234 A1 * 7/2014 Ricketts B60R 22/24
296/193.03
2014/0361569 A1 * 12/2014 Crepaldi B60R 11/0235
296/37.12
2015/0343963 A1 * 12/2015 Angeletti B60R 11/0241
296/37.12

* cited by examiner

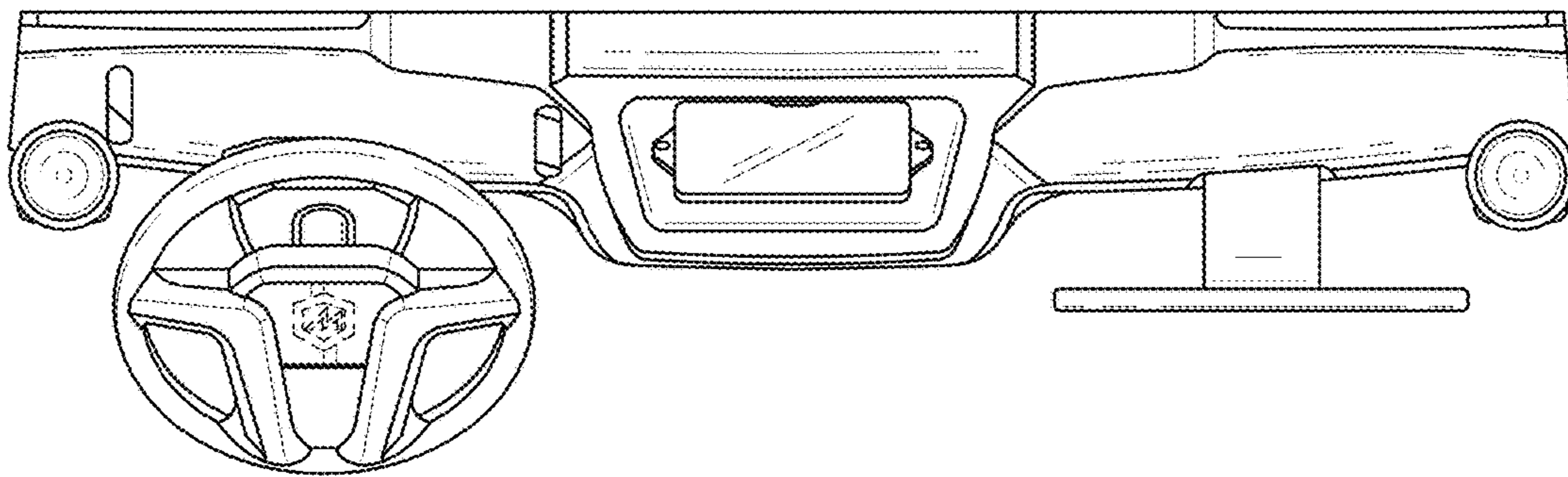


FIG. 1

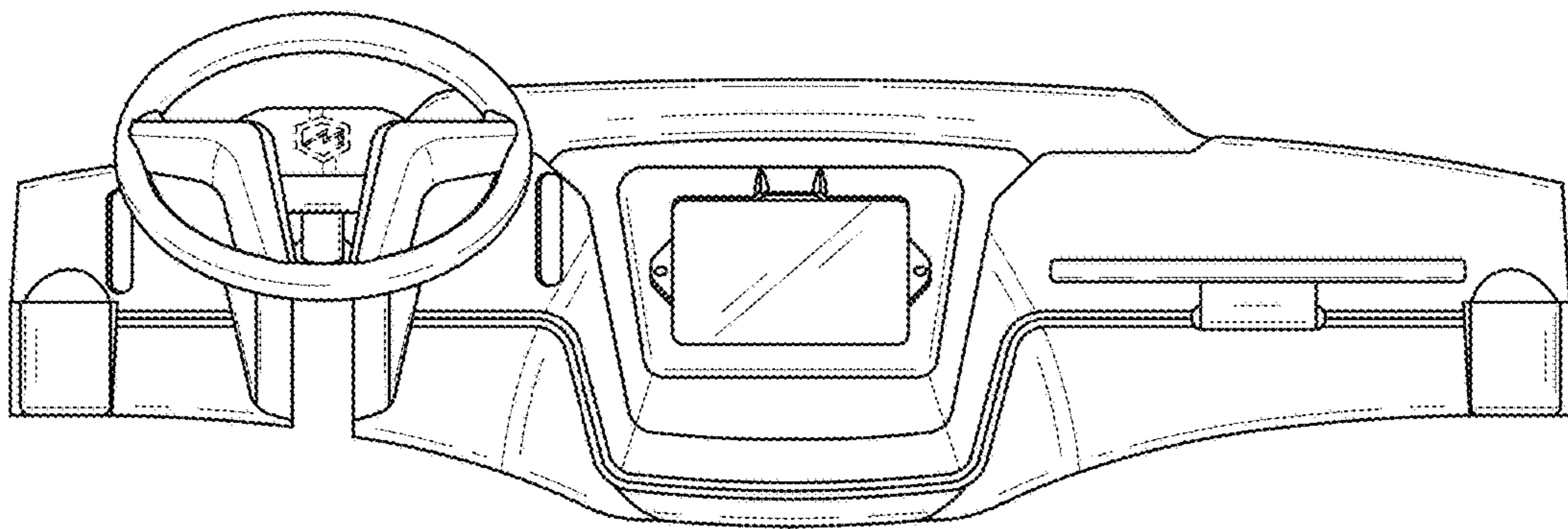


FIG. 2

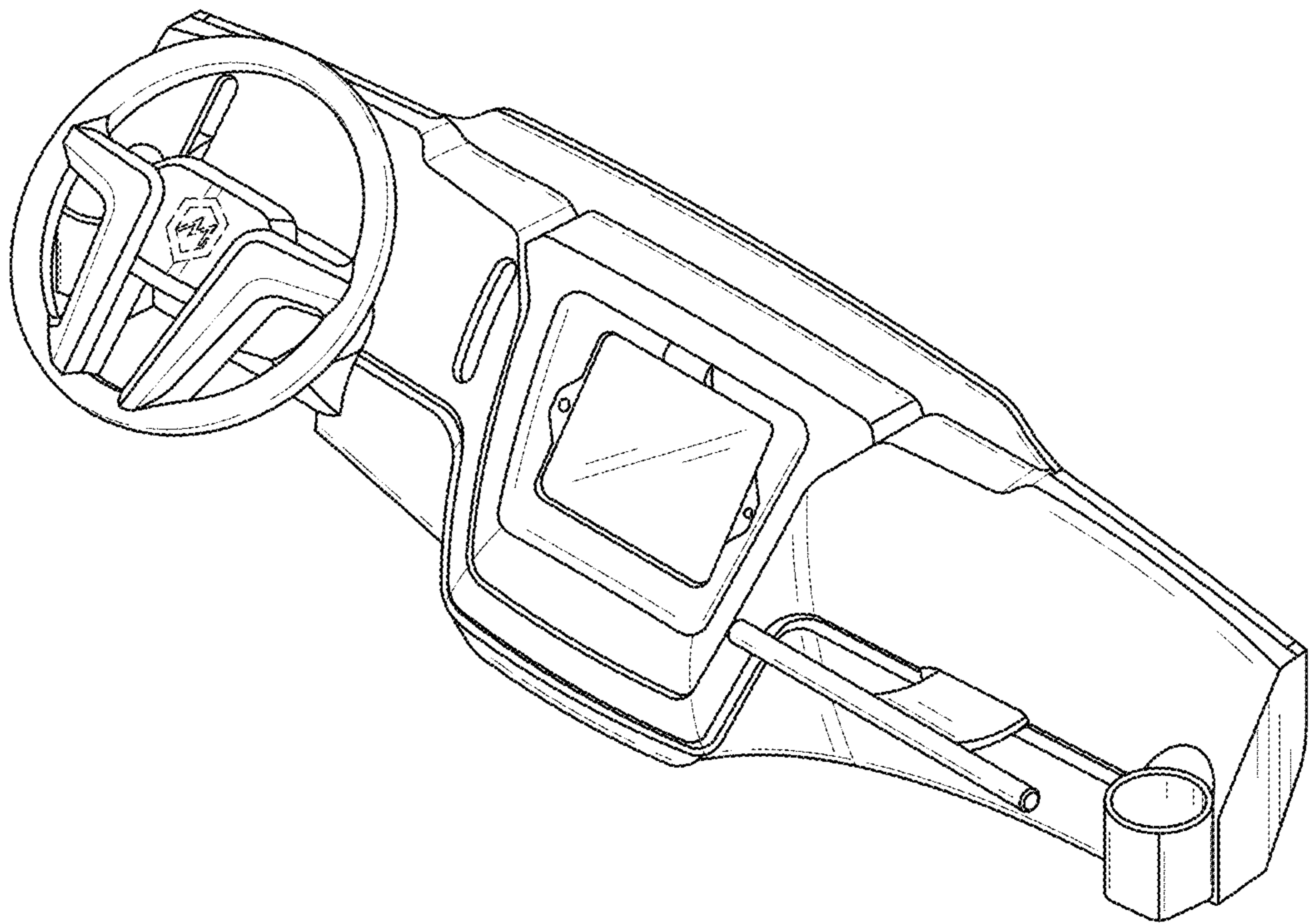


FIG. 3

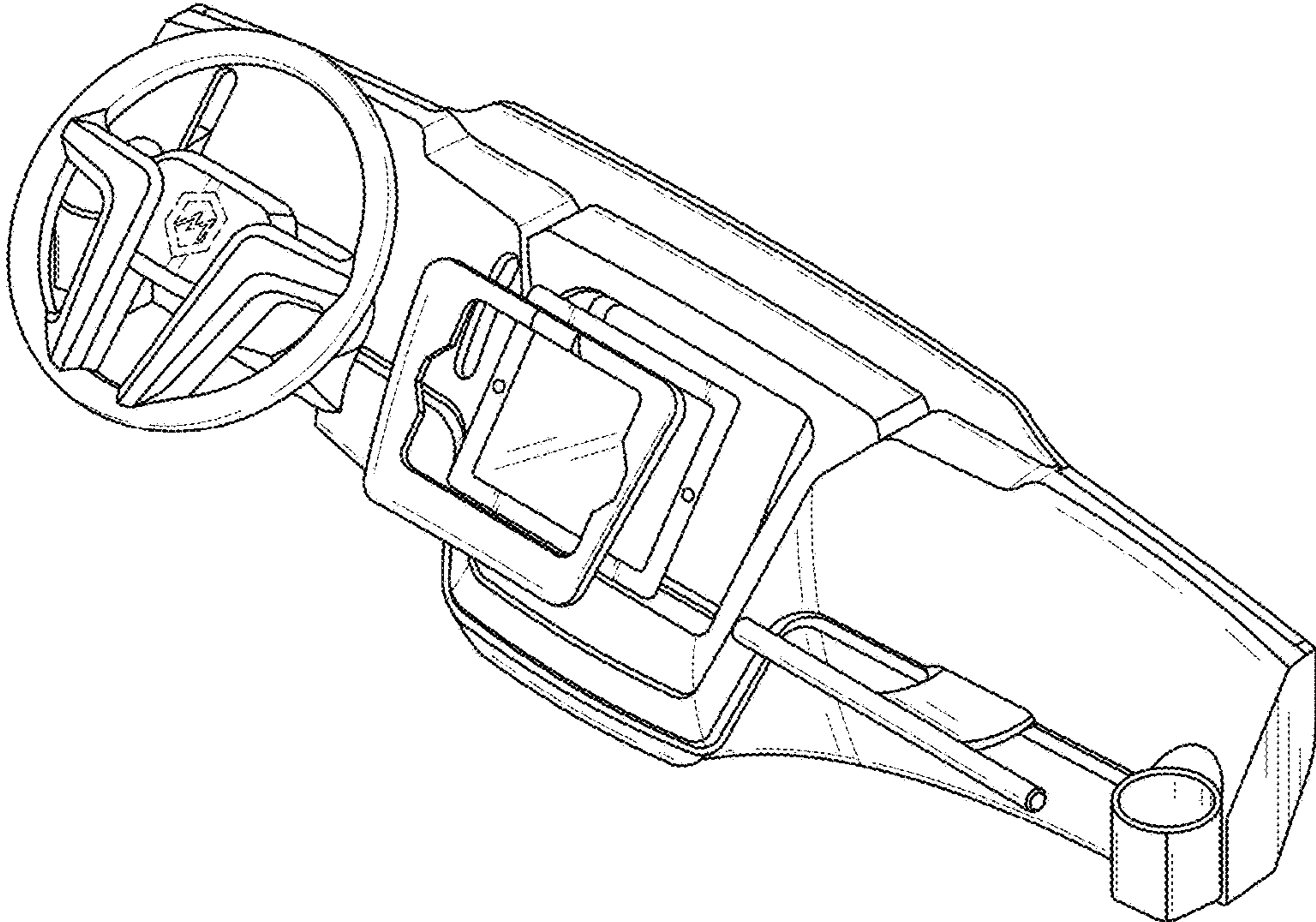


FIG. 4

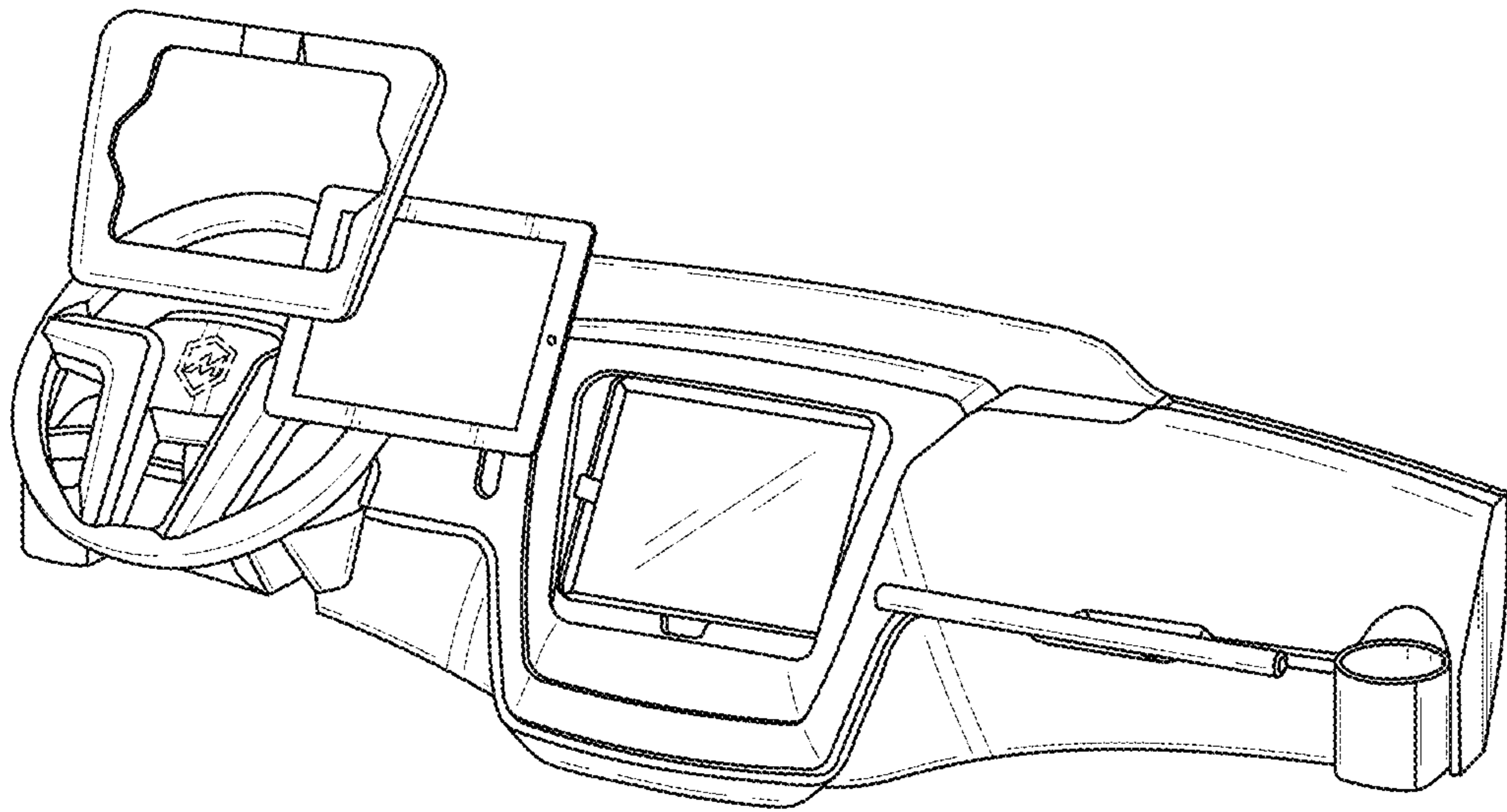


FIG. 5