



US00D775561S

(12) **United States Design Patent** (10) **Patent No.:** **US D775,561 S**
Platto et al. (45) **Date of Patent:** **** Jan. 3, 2017**

- (54) **VEHICLE REAR BUMPER**
- (71) Applicant: **Ford Motor Company**, Dearborn, MI (US)
- (72) Inventors: **Gordon Platto**, Troy, MI (US); **Sean Tant**, Livonia, MI (US); **William K. Moore**, West Bloomfield, MI (US); **Jonathan Fontaine**, Royal Oak, MI (US)
- (73) Assignee: **Ford Motor Company**, Dearborn, MI (US)
- (**) Term: **15 Years**
- (21) Appl. No.: **29/537,836**
- (22) Filed: **Aug. 28, 2015**
- (51) **LOC (10) Cl.** **12-16**
- (52) **U.S. Cl.**
USPC **D12/169**; D12/82; D12/93
- (58) **Field of Classification Search**
USPC D12/82, 86, 93, 98, 163, 164, 169, 171; D21/433, 434
CPC .. B60R 19/02; B60R 2019/1886; B60R 19/48; B60R 19/52; B60R 19/56
See application file for complete search history.

(56) **References Cited**

U.S. PATENT DOCUMENTS

D280,497 S *	9/1985	Sullivan	D12/169
D491,496 S *	6/2004	Metros	D12/169
D497,851 S *	11/2004	Metros	D12/169
D501,809 S *	2/2005	Metros	D12/169
D531,556 S *	11/2006	Metros	D12/169
D565,484 S *	4/2008	Johnson	D12/169
D623,569 S *	9/2010	Cogswell	D12/169
D699,640 S *	2/2014	Duderstadt	D12/169
D713,306 S *	9/2014	Sperling	D12/169

D721,304 S *	1/2015	Platto	D12/169
D749,997 S *	2/2016	McMahan	D12/169
D761,165 S *	7/2016	Chung	D12/169
D761,166 S *	7/2016	Hare	D12/169

OTHER PUBLICATIONS

Lienert, Anita, 2017 Ford F Series Super Duty, Sep. 24, 2015, edmunds.com <http://www.edmunds.com/car-news/2017-ford-f-series-super-duty-set-for-showroom-debut-in-late-2016.html>>.*

* cited by examiner

Primary Examiner — Karen Kearney
Assistant Examiner — Katherine Holbrow
(74) *Attorney, Agent, or Firm* — Damian Porcari

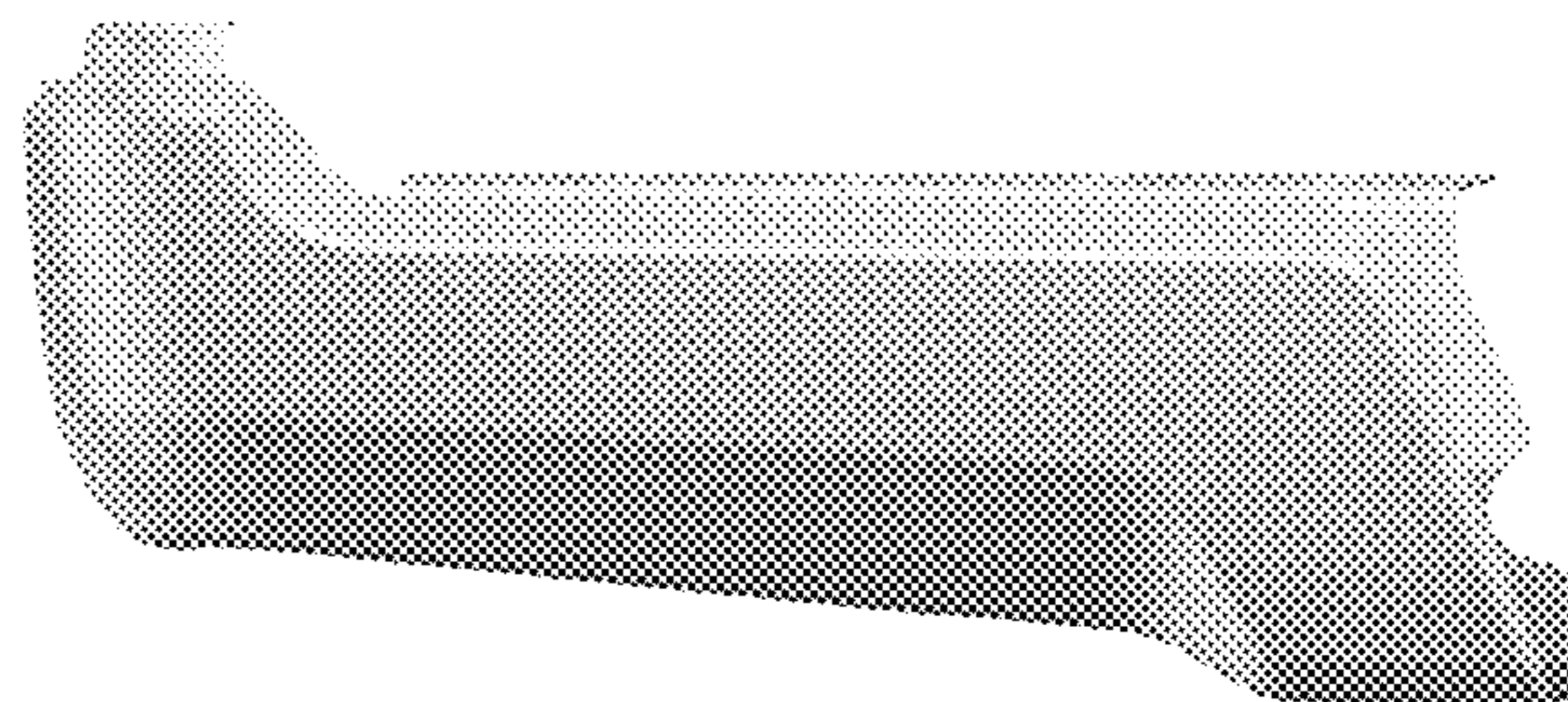
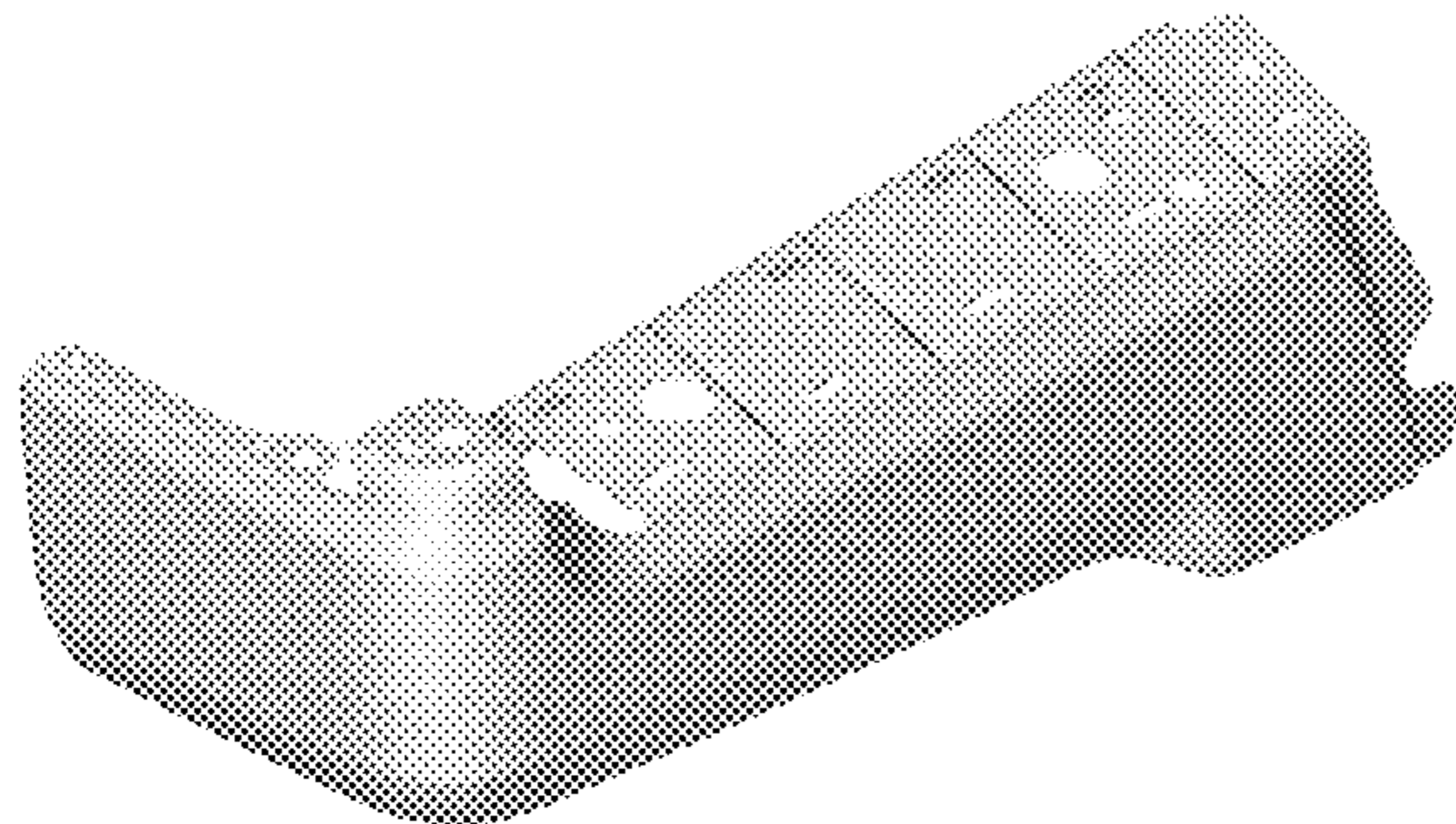
(57) **CLAIM**

The ornamental design for a vehicle rear bumper, as shown and described.

DESCRIPTION

FIG. 1 is a top perspective view of the first embodiment of a vehicle rear bumper, showing our new design; FIG. 2 is atop perspective view thereof; FIG. 3 is a top rear perspective view thereof; FIG. 4 is a front elevational view thereof; FIG. 5 is a rear elevational view thereof; FIG. 6 is a left side elevational view thereof; FIG. 7 is a right side elevational view thereof; FIG. 8 is a top plan view thereof; and, FIG. 9 is a bottom plan view thereof. The second embodiment of the vehicle rear bumper, is a mirror image of the first embodiment disclosed in FIGS. 1 through 9 and is not shown.

1 Claim, 9 Drawing Sheets



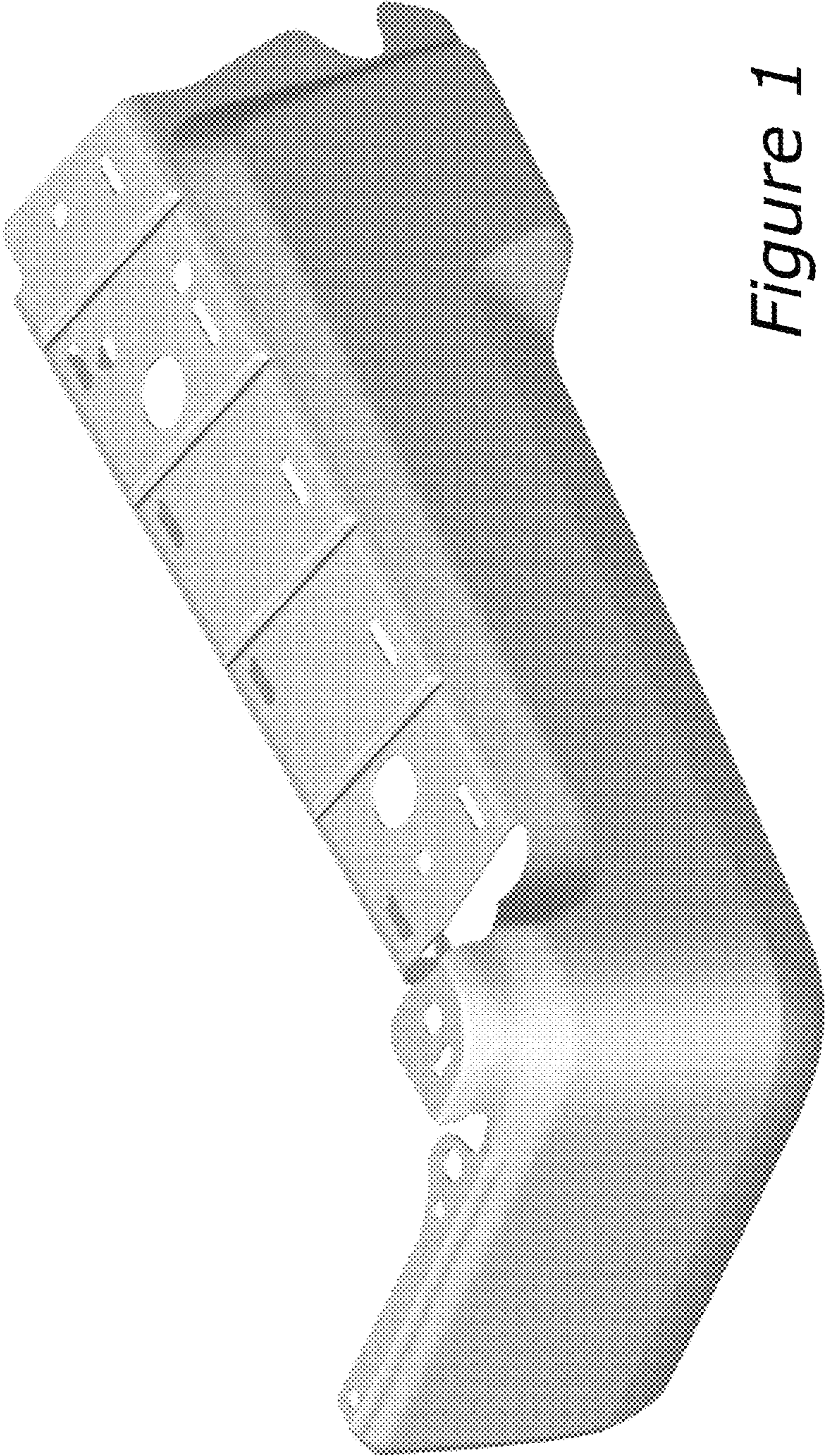


Figure 1

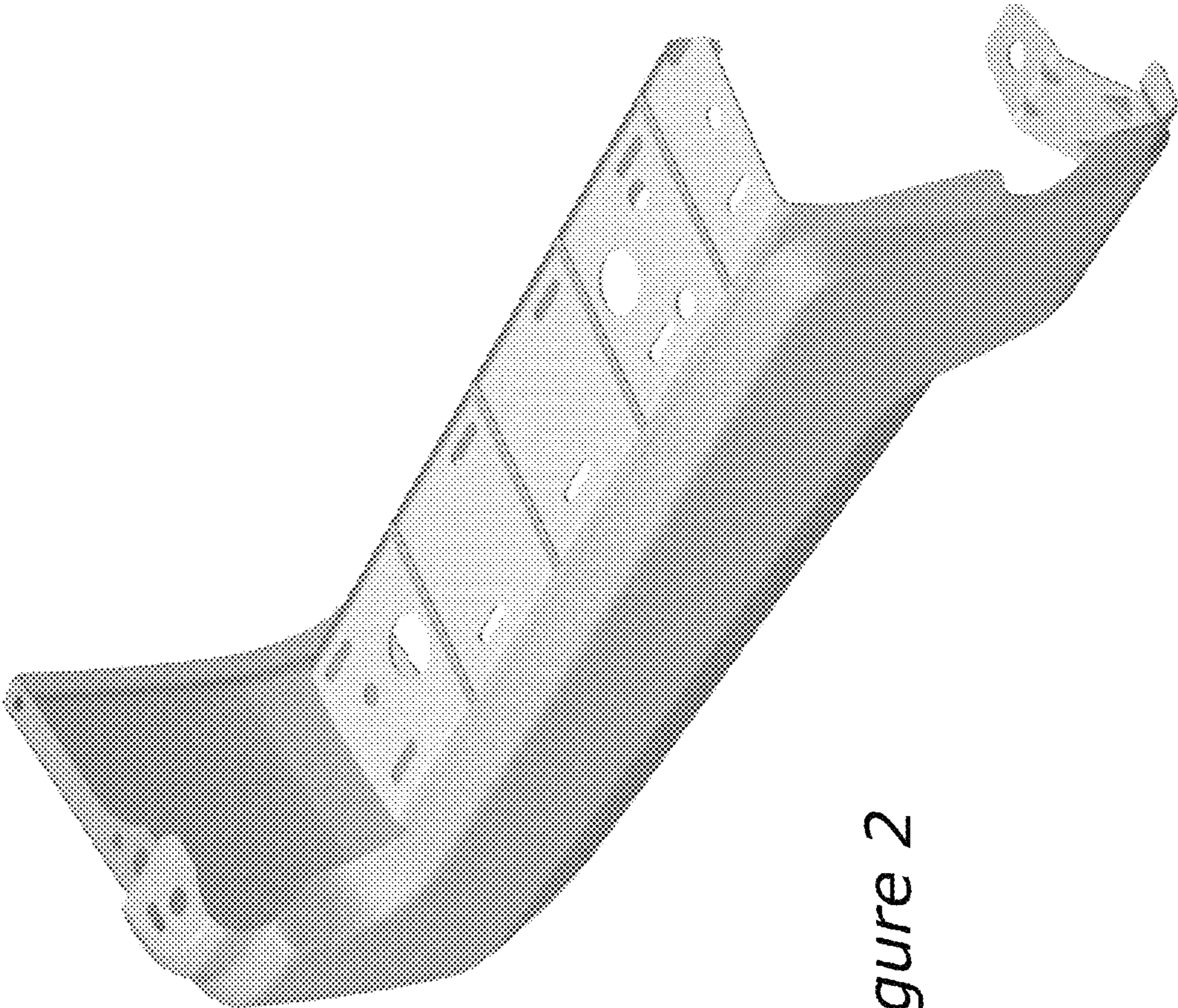
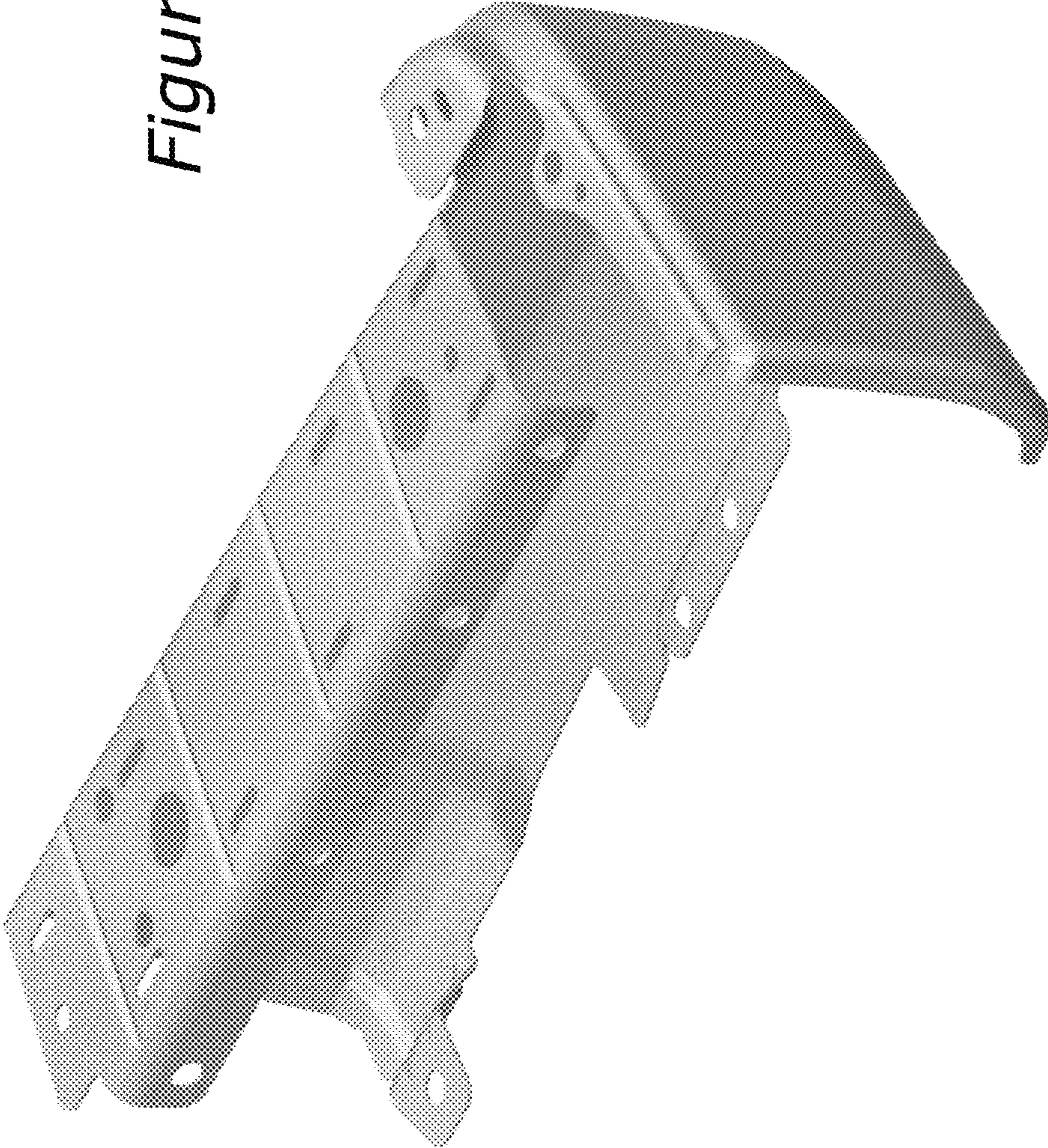


Figure 2

Figure 3



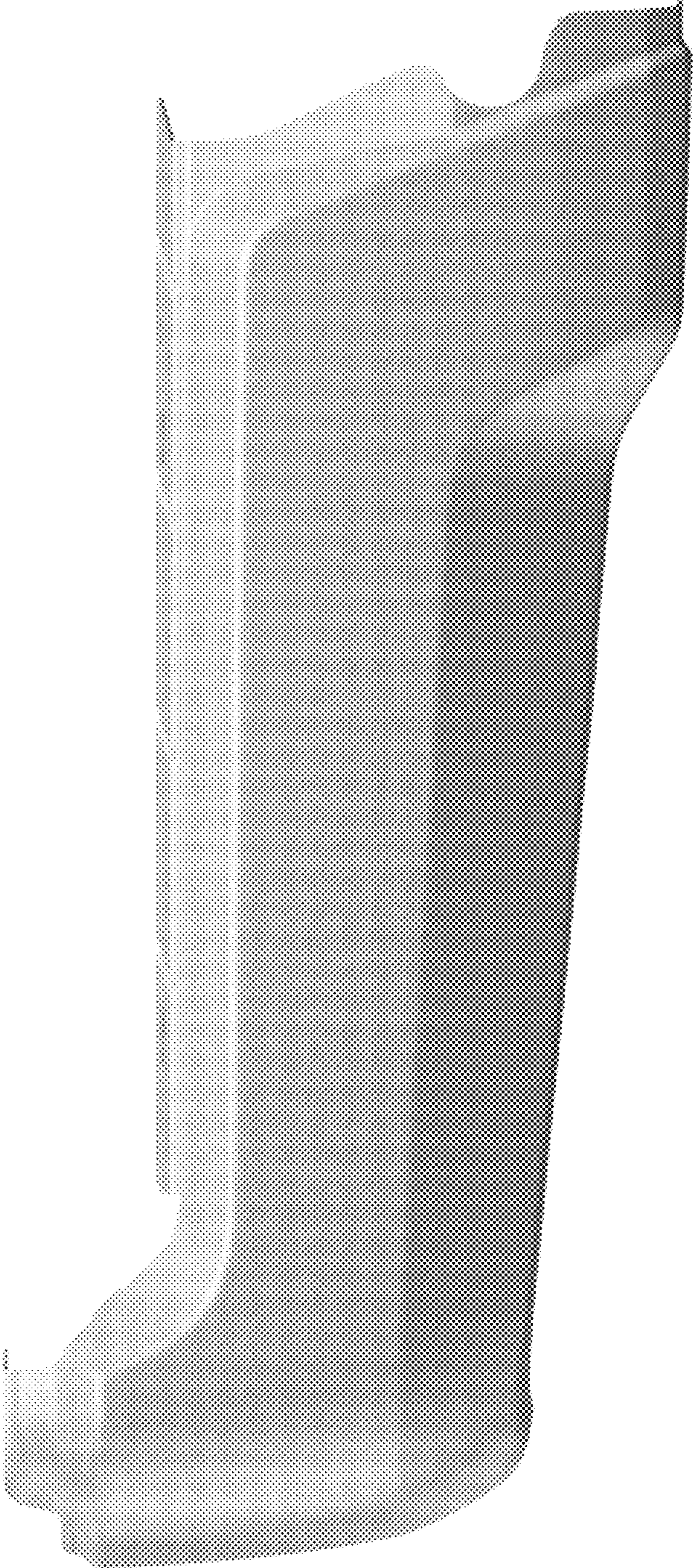


Figure 4

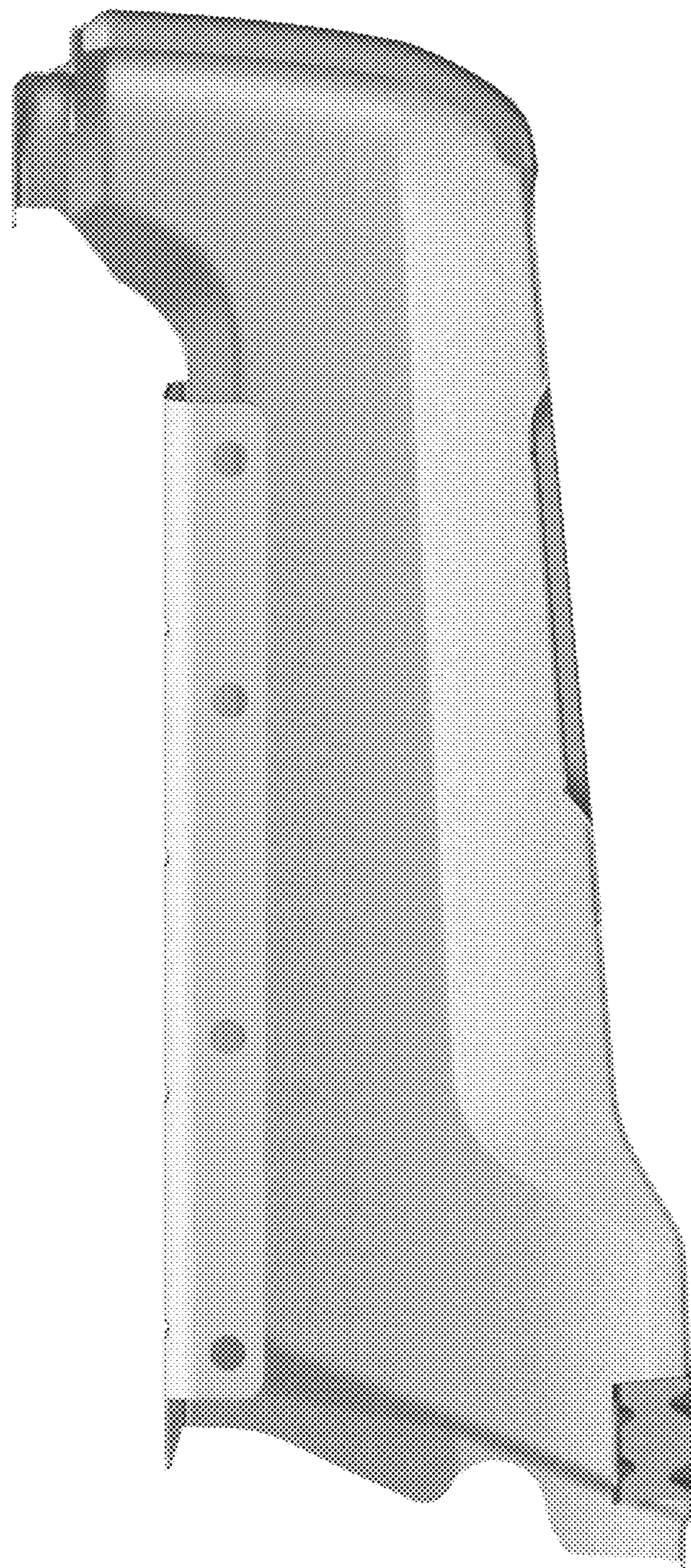


Figure 5

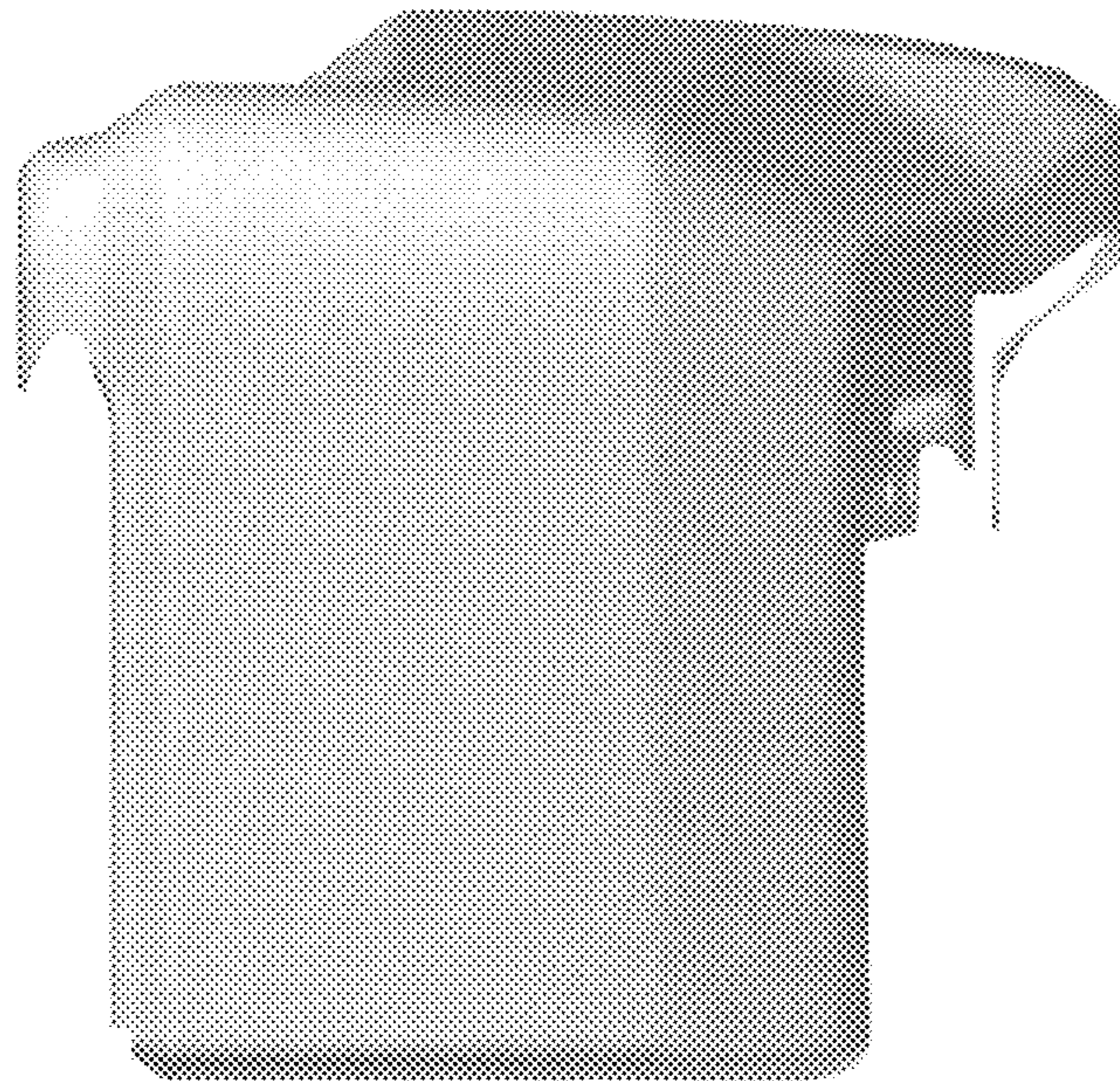


Figure 6

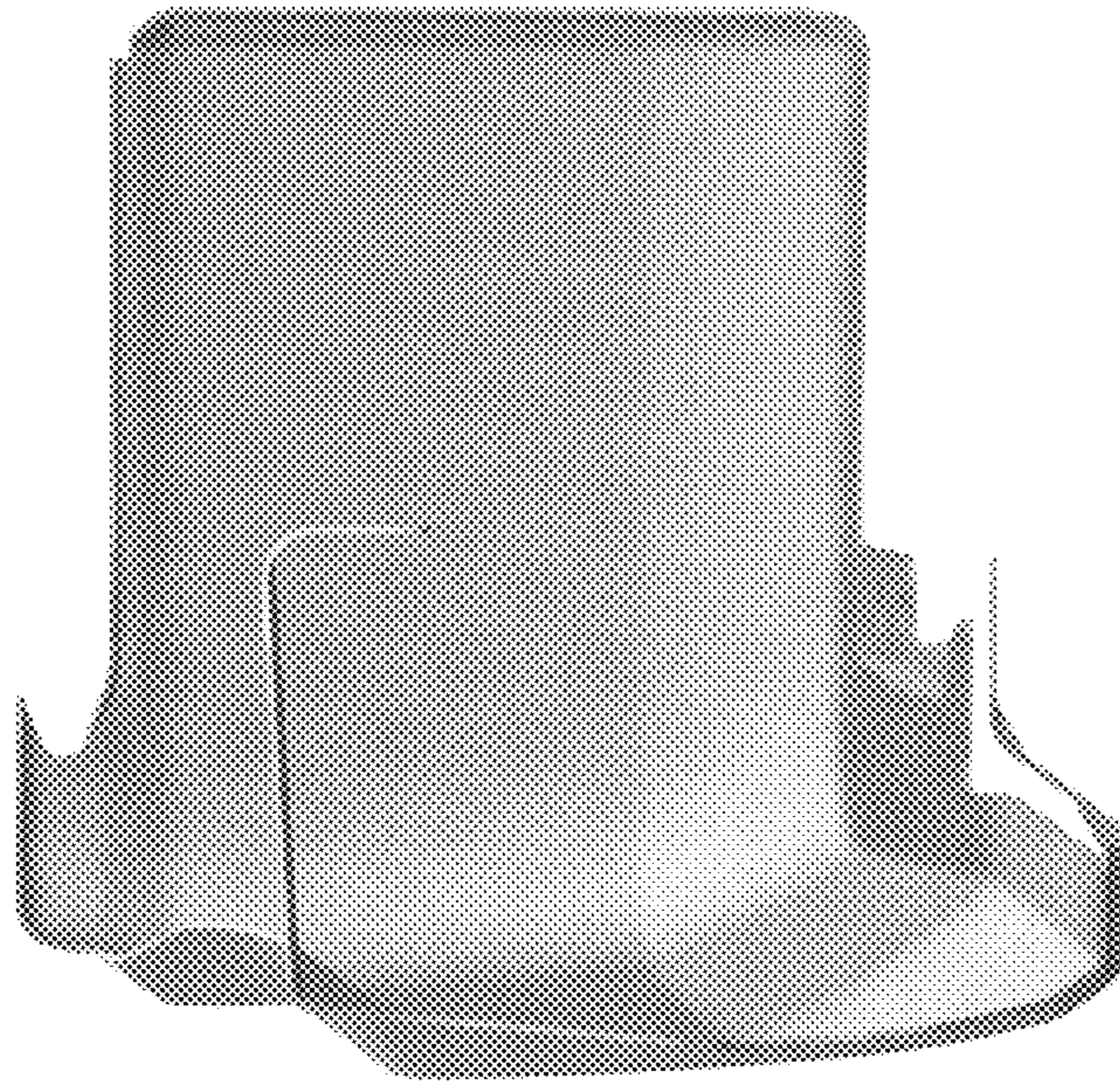


Figure 7

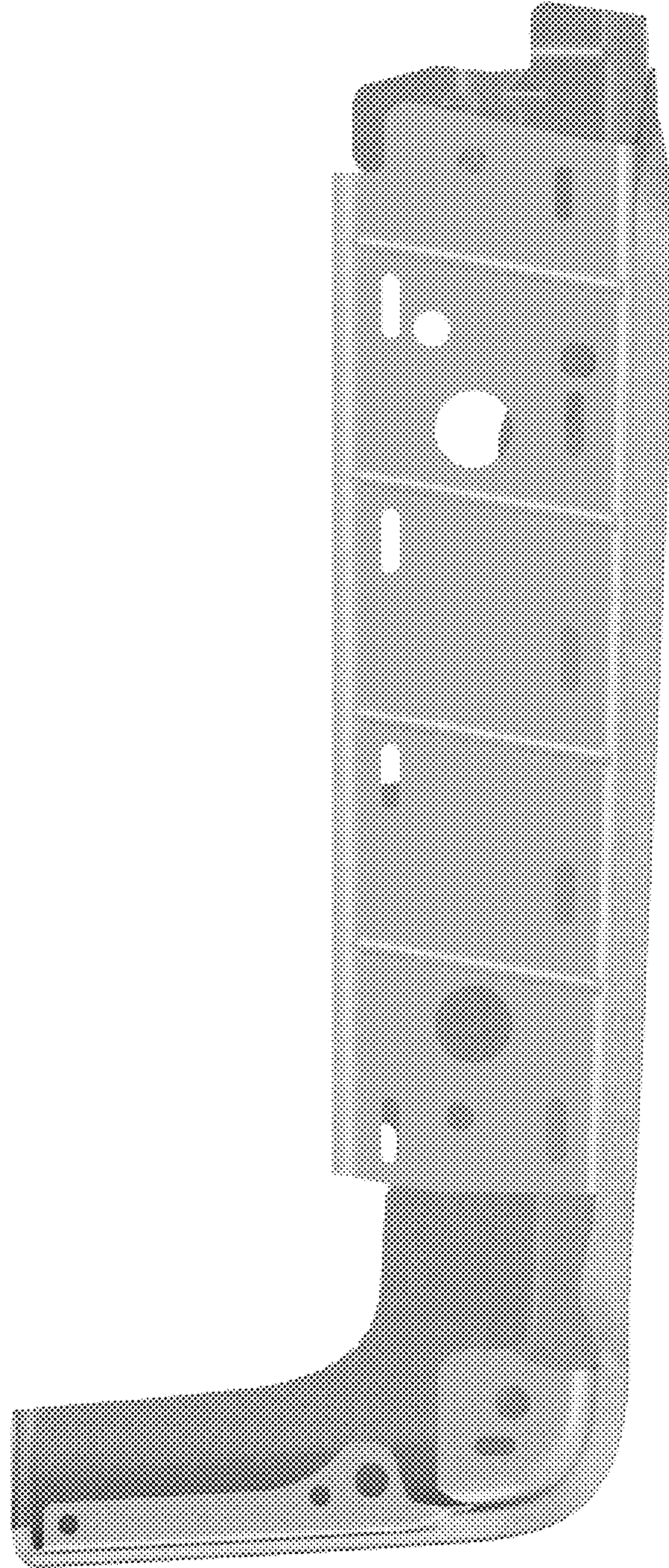


Figure 8

Figure 9

