



US00D775557S

(12) **United States Design Patent**
Lesnik et al.

(10) **Patent No.:** **US D775,557 S**
(45) **Date of Patent:** **** Jan. 3, 2017**

(54) **REAR PORTION OF A VEHICLE, TOY,
AND/OR REPLICAS THEREOF**

(71) Applicant: **Daimler AG**, Stuttgart (DE)

(72) Inventors: **Robert Lesnik**, Leonberg (DE);
Gorden Wagener, Gaeufelden (DE)

(73) Assignee: **Daimler AG**, Stuttgart (DE)

(**) Term: **14 Years**

(21) Appl. No.: **29/524,884**

(22) Filed: **Apr. 24, 2015**

(30) **Foreign Application Priority Data**

Oct. 27, 2014 (WO) DM/084843

(51) **LOC (10) Cl.** **12-16**

(52) **U.S. Cl.**
USPC **D12/164**

(58) **Field of Classification Search**
USPC D12/86, 90-92, 164; D21/421, 433, 434;
296/181.1, 181.5

CPC B62D 35/00; B62D 25/00; B62D 25/06;
B62D 25/08; B62D 33/00

See application file for complete search history.

(56) **References Cited**

U.S. PATENT DOCUMENTS

D590,305 S 4/2009 Pfeiffer et al.
D634,677 S * 3/2011 Futschik D12/164
D664,482 S * 7/2012 Futschik D12/164
D680,031 S * 4/2013 Fetherston D12/92

D680,036 S * 4/2013 Fetherston D12/164
D688,162 S * 8/2013 Fetherston D12/92
D688,174 S * 8/2013 Fetherston D12/164
D702,156 S * 4/2014 Futschik D12/164
D703,113 S * 4/2014 Futschik D12/164
D711,791 S * 8/2014 Futschik D12/164
D723,982 S * 3/2015 Futschik D12/164
D733,620 S * 7/2015 Fetherston D12/164

* cited by examiner

Primary Examiner — Melody N Brown

(74) *Attorney, Agent, or Firm* — Crowell & Moring LLP

(57) **CLAIM**

The ornamental design for a rear portion of a vehicle, toy, and/or replicas thereof, as shown and described.

DESCRIPTION

This application contains subject matter related to the following co-pending U.S. design patent applications:

Application Ser. No. 29/524,875, filed herewith and entitled “Vehicle, Toy, and/or Replicas Thereof”;

Application Ser. No. 29/524,877, filed herewith and entitled “Rear Portion of a Vehicle, Toy, and/or Replicas Thereof”;

and Application Ser. No. 29/524,881, filed herewith and entitled “Rear Bumper for a Vehicle”.

FIG. 1 is a left, front perspective view of a rear portion of a vehicle, toy, and/or replicas thereof according to the design;

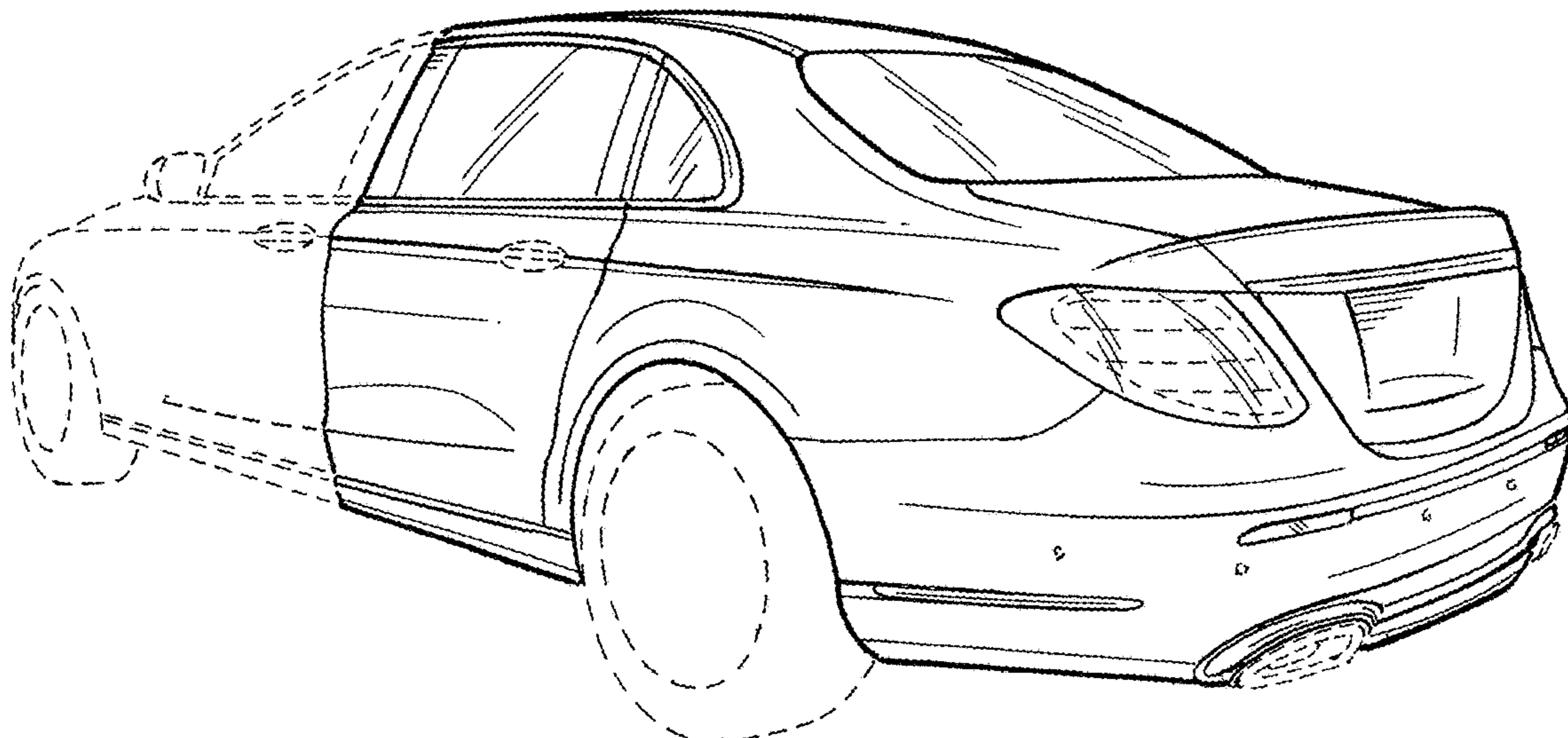
FIG. 2 is a left side view thereof;

FIG. 3 is a right side view thereof; and,

FIG. 4 is a front view thereof.

The broken lines are for illustrative purposes only and form no part of the claimed design.

1 Claim, 4 Drawing Sheets



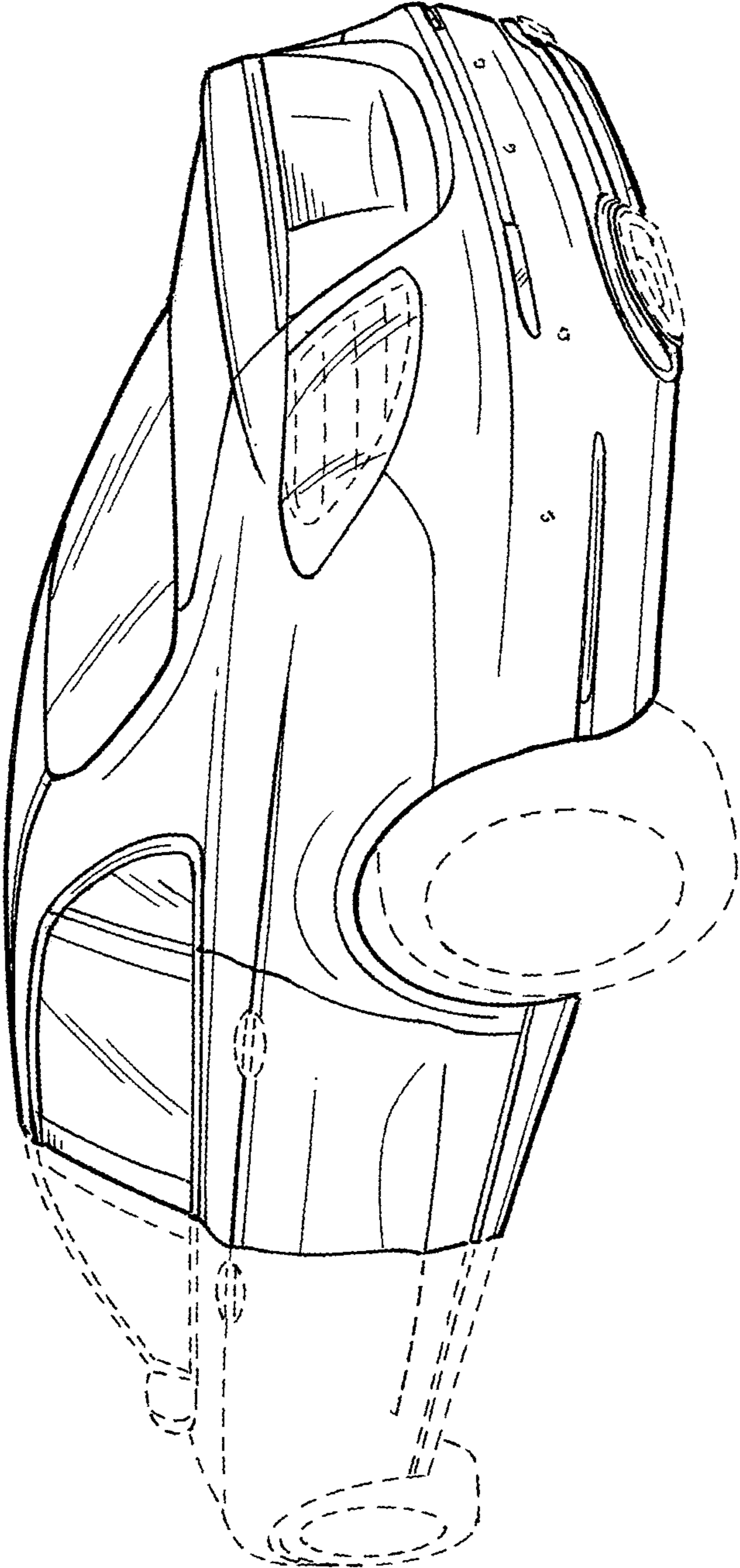


FIG. 1

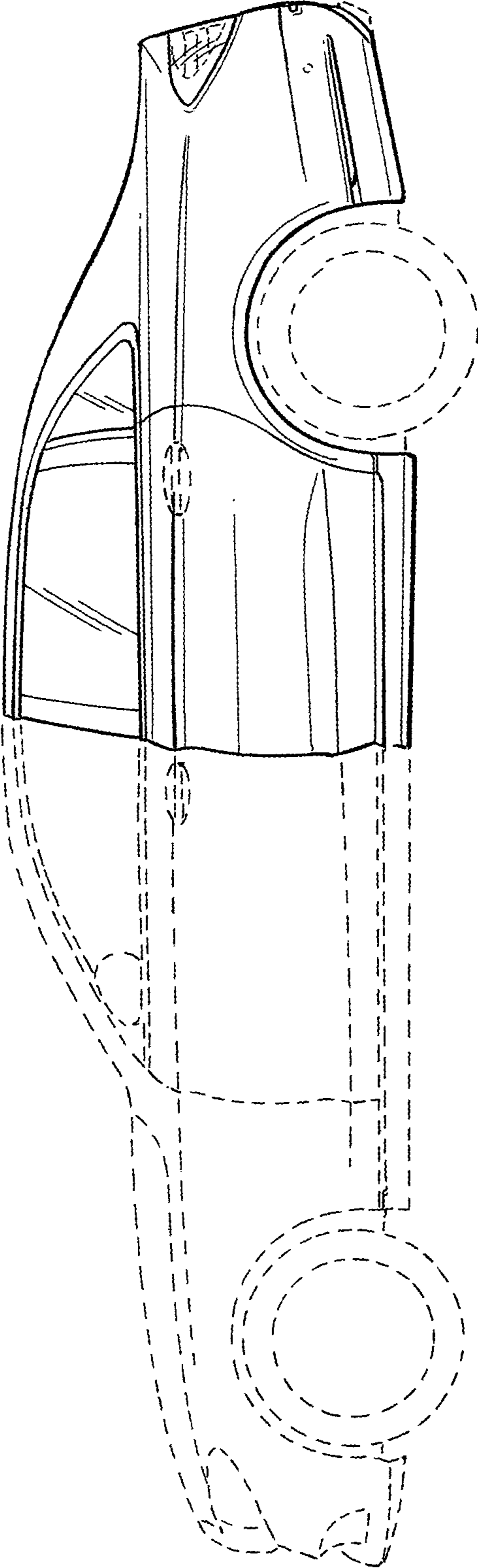


FIG. 2

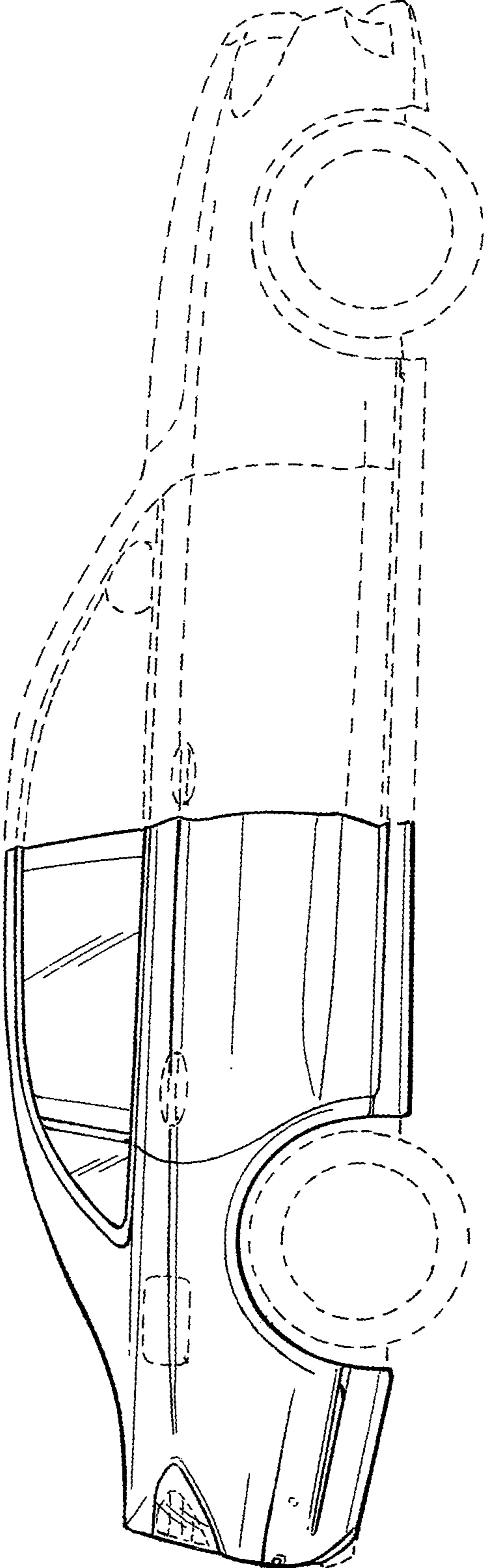


FIG. 3

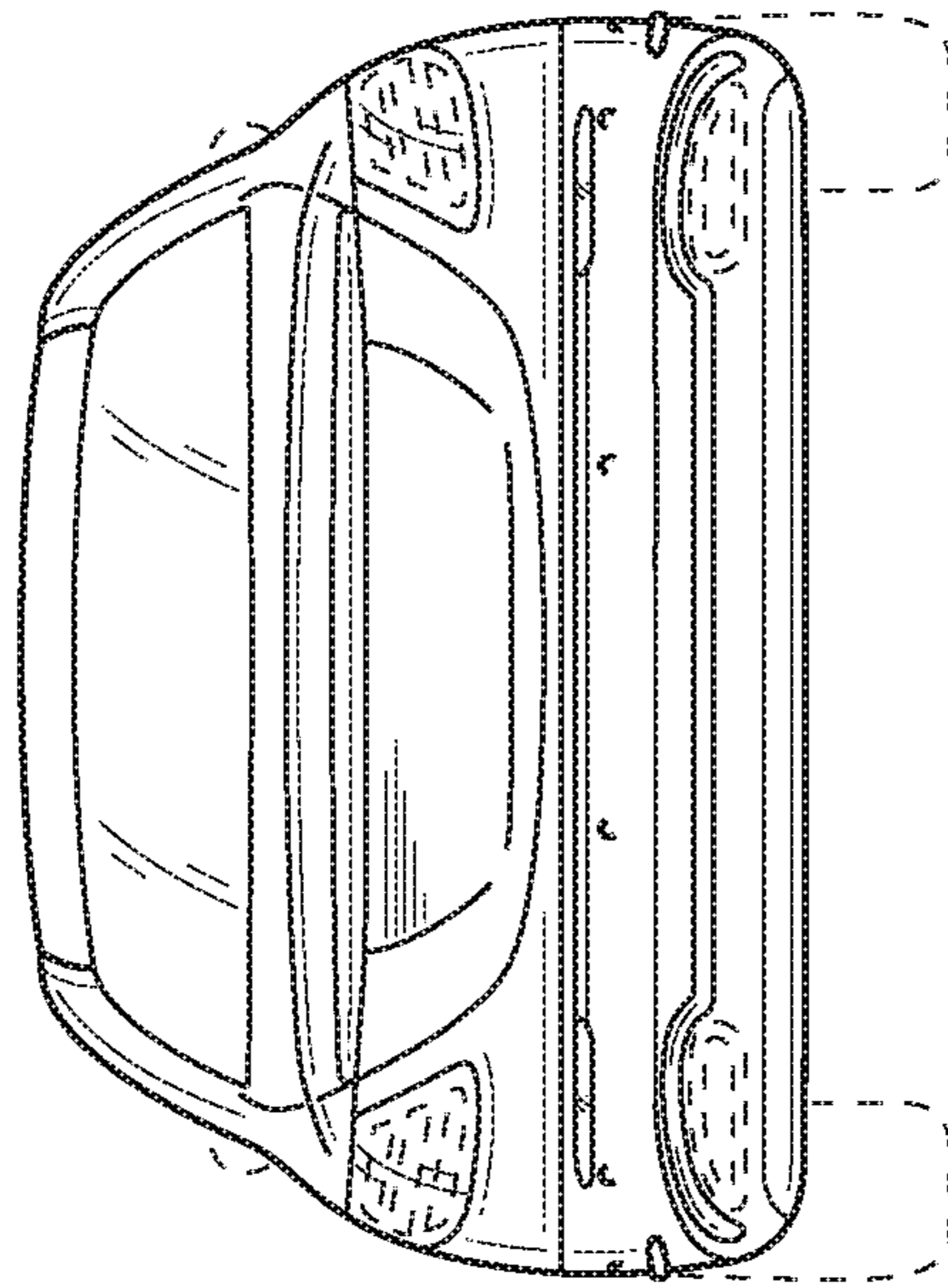


FIG. 4