



US00D775552S

(12) **United States Design Patent**
Itaya et al.

(10) **Patent No.:** **US D775,552 S**
(45) **Date of Patent:** **** Jan. 3, 2017**

(54) **MULTI-PURPOSE ALL TERRAIN VEHICLE
AND/OR REPLICA THEREOF**

(71) Applicant: **HONDA MOTOR CO., LTD**, Tokyo
(JP)

(72) Inventors: **Asao Itaya**, Irvine, CA (US); **Erik
Dunshee**, Torrance, CA (US); **Jessica
Vera**, Long Beach, CA (US); **Takao
Mikami**, Rancho Palos Verdes, CA
(US)

(73) Assignee: **HONDA MOTOR CO., LTD.**, Tokyo
(JP)

(**) Term: **15 Years**

(21) Appl. No.: **29/532,223**

(22) Filed: **Jul. 2, 2015**

Related U.S. Application Data

(62) Division of application No. 29/460,127, filed on Jul.
8, 2013, now Pat. No. Des. 735,615.

(51) **LOC (10) Cl.** **12-11**

(52) **U.S. Cl.**
USPC **D12/107**

(58) **Field of Classification Search**
USPC D12/3, 86, 87, 110, 107; 180/223, 225,
180/229, 233, 311, 312, 315
CPC B60K 5/12; B60K 13/04; B60K 17/354
See application file for complete search history.

(56) **References Cited**

U.S. PATENT DOCUMENTS

D374,416 S 10/1996 Miyamoto et al.
D492,916 S * 7/2004 Rondeau D12/107
D496,308 S * 9/2004 Wu D12/107
D513,718 S 1/2006 Itaya et al.

D516,467 S * 3/2006 Wu D12/107
D516,961 S * 3/2006 Itaya D12/107
D520,912 S * 5/2006 Knight D12/107
D520,914 S * 5/2006 Luh D12/107
D522,924 S * 6/2006 Yokoyama D12/107
D523,782 S * 6/2006 Lin D12/107
D529,414 S * 10/2006 Wu D12/107
D532,339 S * 11/2006 Hishiki D12/107

(Continued)

OTHER PUBLICATIONS

“2012 Polaris ATVs.” Electronic Catalog., Jun. 22, 2012 [online],
[retrieved on Jul. 20, 2016]. Retrieved from the Internet <URL:
[http://cdn.polaris.com/en-us/prod/polaris/orv/2013/documents/en-
au/2012-polaris-brochure-atv.pdf](http://cdn.polaris.com/en-us/prod/polaris/orv/2013/documents/en-au/2012-polaris-brochure-atv.pdf)>.*

(Continued)

Primary Examiner — Darlington Ly

(74) *Attorney, Agent, or Firm* — Westerman, Hattori,
Daniels & Adrian, LLP

(57) **CLAIM**

The ornamental design for a multi-purpose all terrain vehicle
and/or replica thereof, as shown and described.

DESCRIPTION

FIG. 1 is a left front perspective view of the multi-purpose
all terrain vehicle and/or replica thereof showing our new
design;

FIG. 2 is a left rear perspective view thereof;

FIG. 3 is a front elevational view thereof;

FIG. 4 is a rear elevational view thereof;

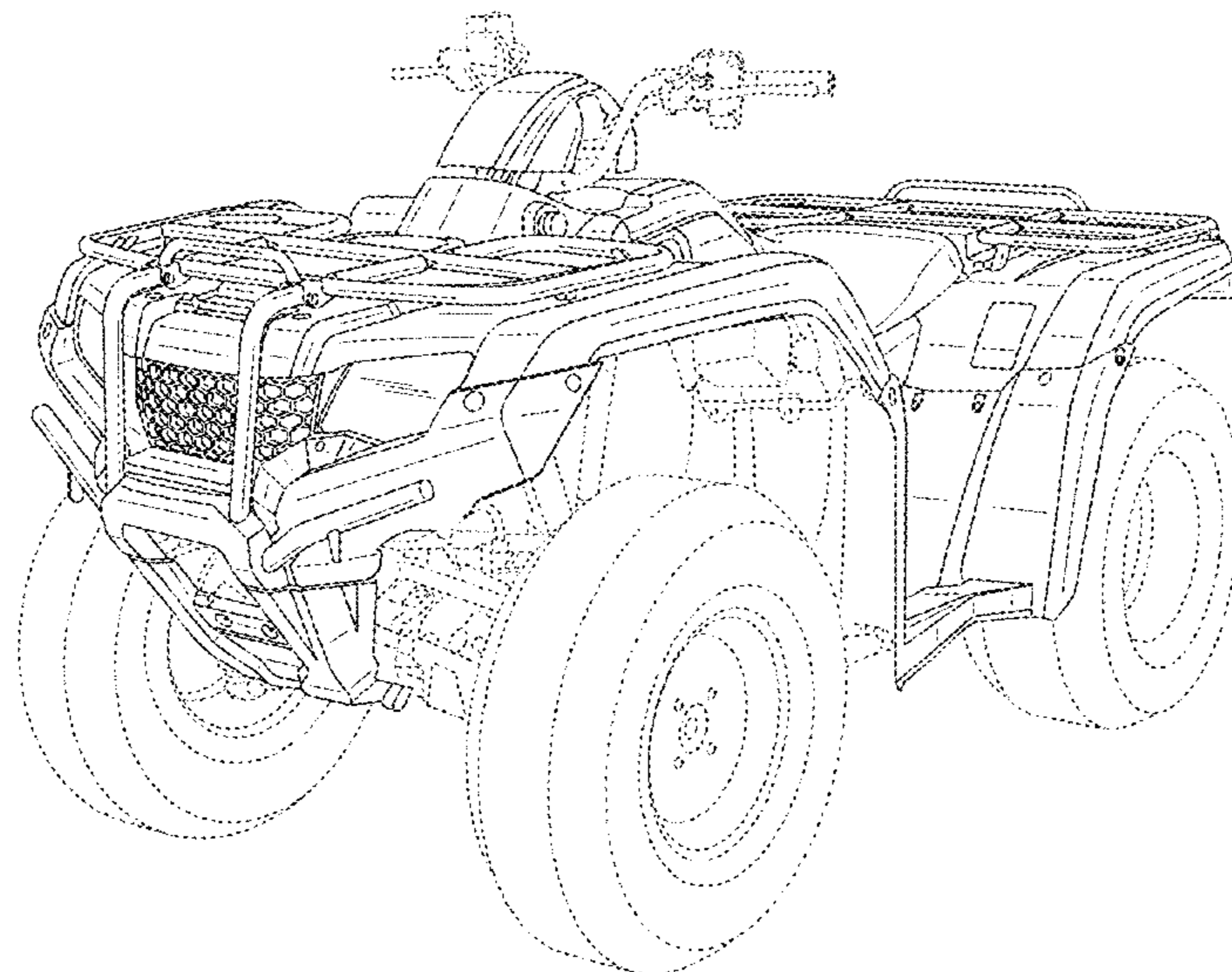
FIG. 5 is a top plan view thereof;

FIG. 6 is a left side elevational view thereof; and,

FIG. 7 is a right side elevational view thereof.

The portions in broken lines shown in the drawings illustrate
portions of the multi-purpose all terrain vehicle and/or
replica thereof that form no part of the claimed design.

1 Claim, 7 Drawing Sheets



(56)

References Cited

U.S. PATENT DOCUMENTS

D539,705	S	4/2007	Ichikawa et al.	
D546,246	S *	7/2007	Crepeau	D12/107
D584,661	S *	1/2009	Tanaka	D12/107
D585,792	S *	2/2009	Chao	D12/107
D595,188	S *	6/2009	Tandrup	D12/107
D599,250	S *	9/2009	Hirano	D12/107
7,743,864	B2	6/2010	Tweet	
D620,399	S *	7/2010	Wu	D12/107
D628,520	S *	12/2010	Lin	D12/107
D643,781	S *	8/2011	Nagao	D12/107
D657,720	S *	4/2012	Eck	D12/107
D657,721	S *	4/2012	Miyanishi	D12/107
D680,468	S *	4/2013	Li	D12/107
D694,671	S *	12/2013	Lai	D12/107
8,596,398	B2 *	12/2013	Bennett	B60G 3/20 180/90.6
D721,300	S *	1/2015	Li	D12/107
2008/0277184	A1	11/2008	Marleau	
2014/0262584	A1 *	9/2014	Lovold	B60K 5/12 180/246

OTHER PUBLICATIONS

“Yamaha—ATVs and SXS.” Electronic Catalog., Aug. 1, 2013 [online], [retrieved on Jul. 20, 2016]. Retrieved from the Internet <URL: https://www.yamahamotorsports.com/assets/pages/2014_%20ATVSXS_brochure.pdf>.*

“Artic Cat—Share Our Passion.” Electronic Catalog., Jul. 19, 2013 [online], [retrieved on Jul. 20, 2016]. Retrieved from the Internet <URL: <http://cdn.dealereprocess.com/cdn/brochures/arcticcat/2014-atvsbs.pdf>>.*

“Honda—ATV, SXS and AG Range.” Electronic Catalog., Apr. 7, 2015 [online], [retrieved on Jul. 20, 2016]. Retrieved from the Internet <URL: http://motorcycles.honda.com.au/brochures/Honda_ATV_Range.pdf>.*

“Suzuki Unveils 2011 KingQuad 500 AXi and 2010 KingQuad 450 AXi.” ATV.com., May 10, 2010 [online], [retrieved on Oct. 31, 2014]. Retrieved from the Internet <URL: <http://www.atv.com/manufacturers/suzukisuzuki-unveils-2011-kingquad-500-axi-and-2010-kingquad-450-axi-1656.html>> (4 pages).

Hilderbrand, J.C. “2010 Honda Rancher AT ATV Review.” 4 Wheel Dirt., May 11, 2010 [online], [retrieved on Oct. 31, 2014]. Retrieved from the Internet <URL: <http://www.Awheeldirt.com/2010-honda-rancher-atv-review>>> (4 pages).

Hilderbrand, J.C. “2012 Honda Foreman ES EPS First Look.” Motorcycle Usa., Feb. 22, 2011 [online], [retrieved on Oct. 31, 2014]. Retrieved from the Internet <URL: <http://www.motorcycle-usa.com/621/9271/Motorcycle-Article/2012-Honda-Foreman-ES-EPS-First-Look.aspx>> (3 pages).

Fargher, Seth. “2013 Kymco MXU 700i Review.” ATV.com., Jul. 4, 2012 [online], [retrieved on Oct. 31, 2014]. Retrieved from the Internet <URL: <http://www.atv.com/manufacturers/kymko/2013-kymco-mxu-700i-review-2088.html>>> (2 pages).

* cited by examiner

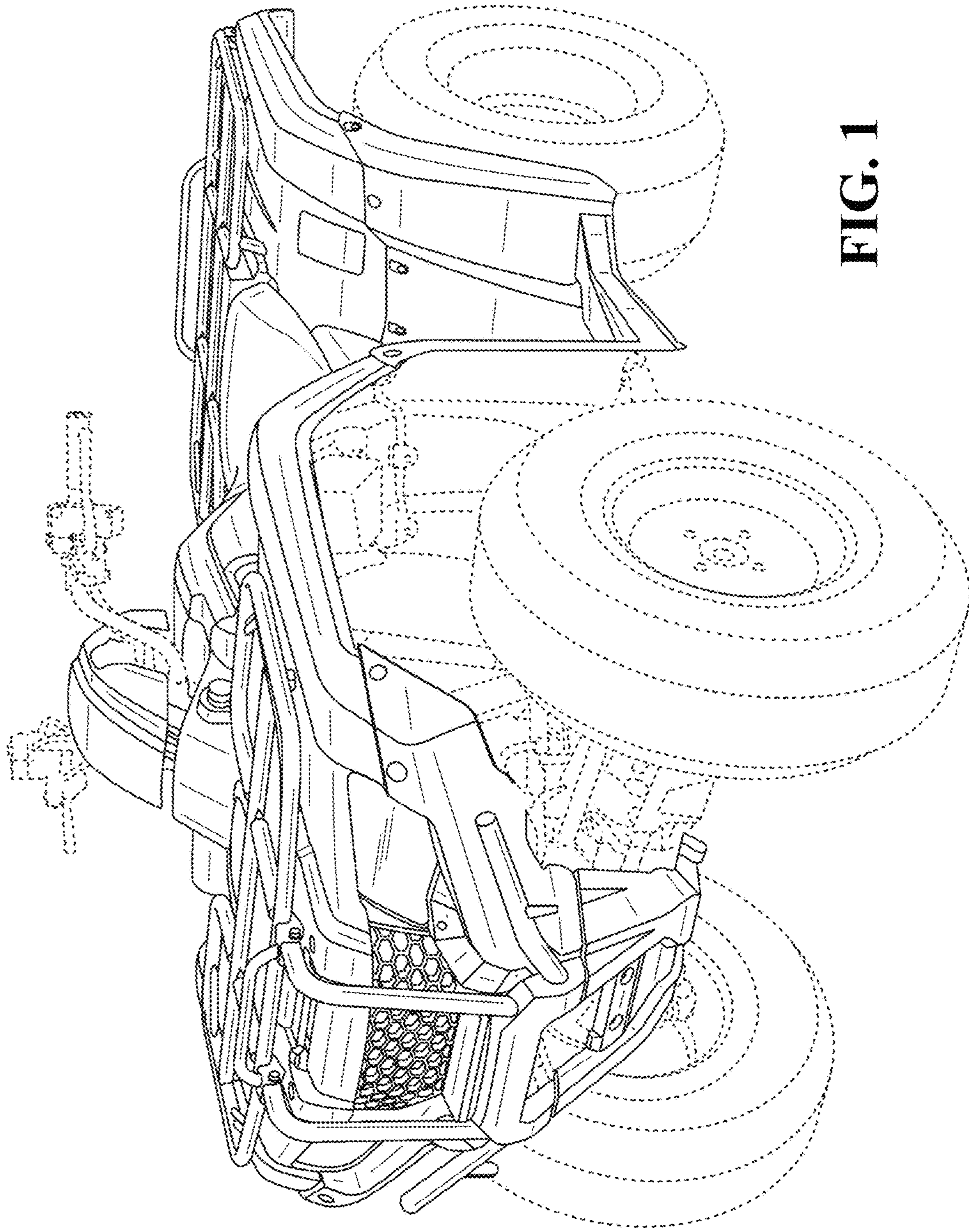


FIG. 1

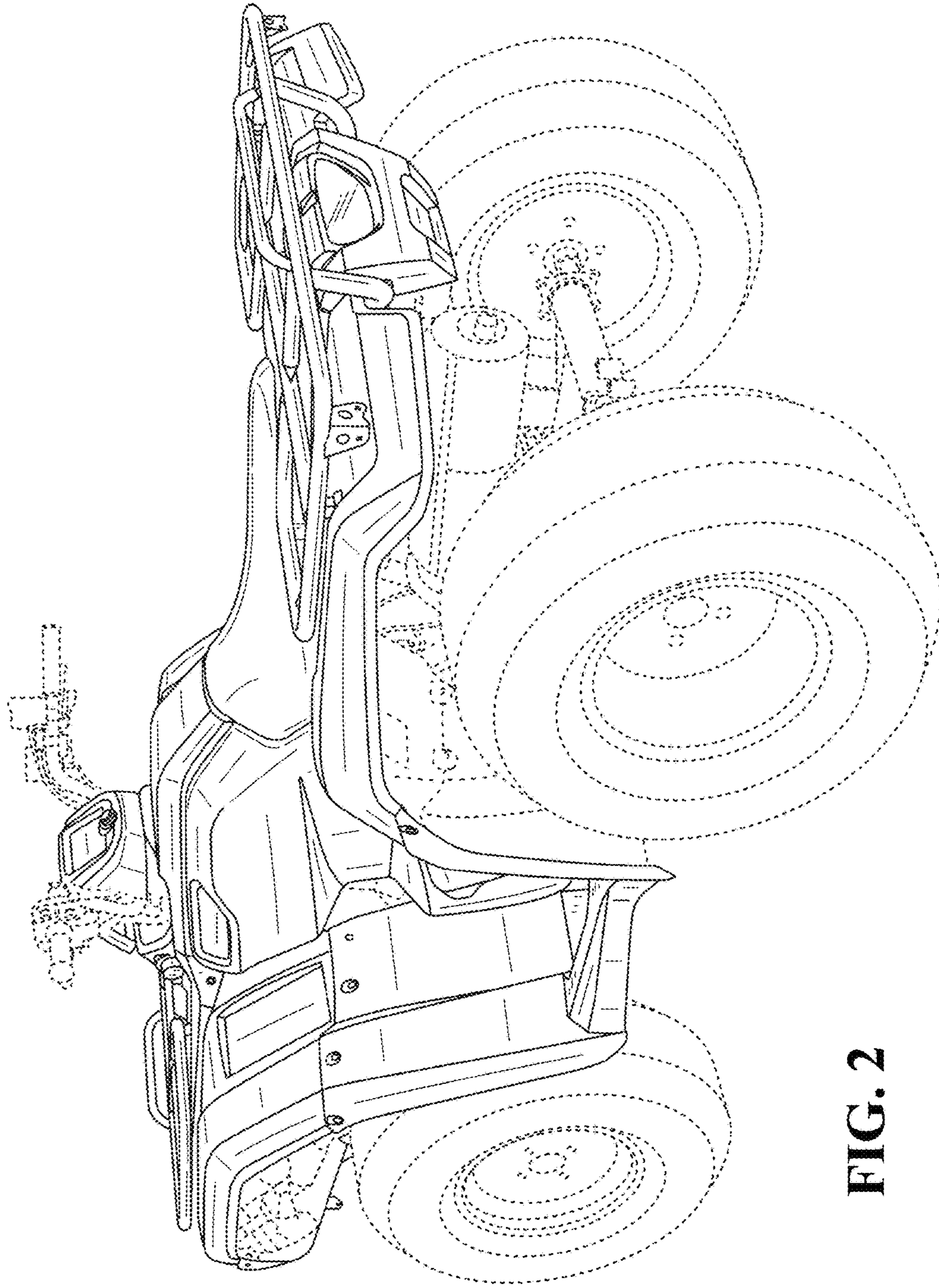


FIG. 2

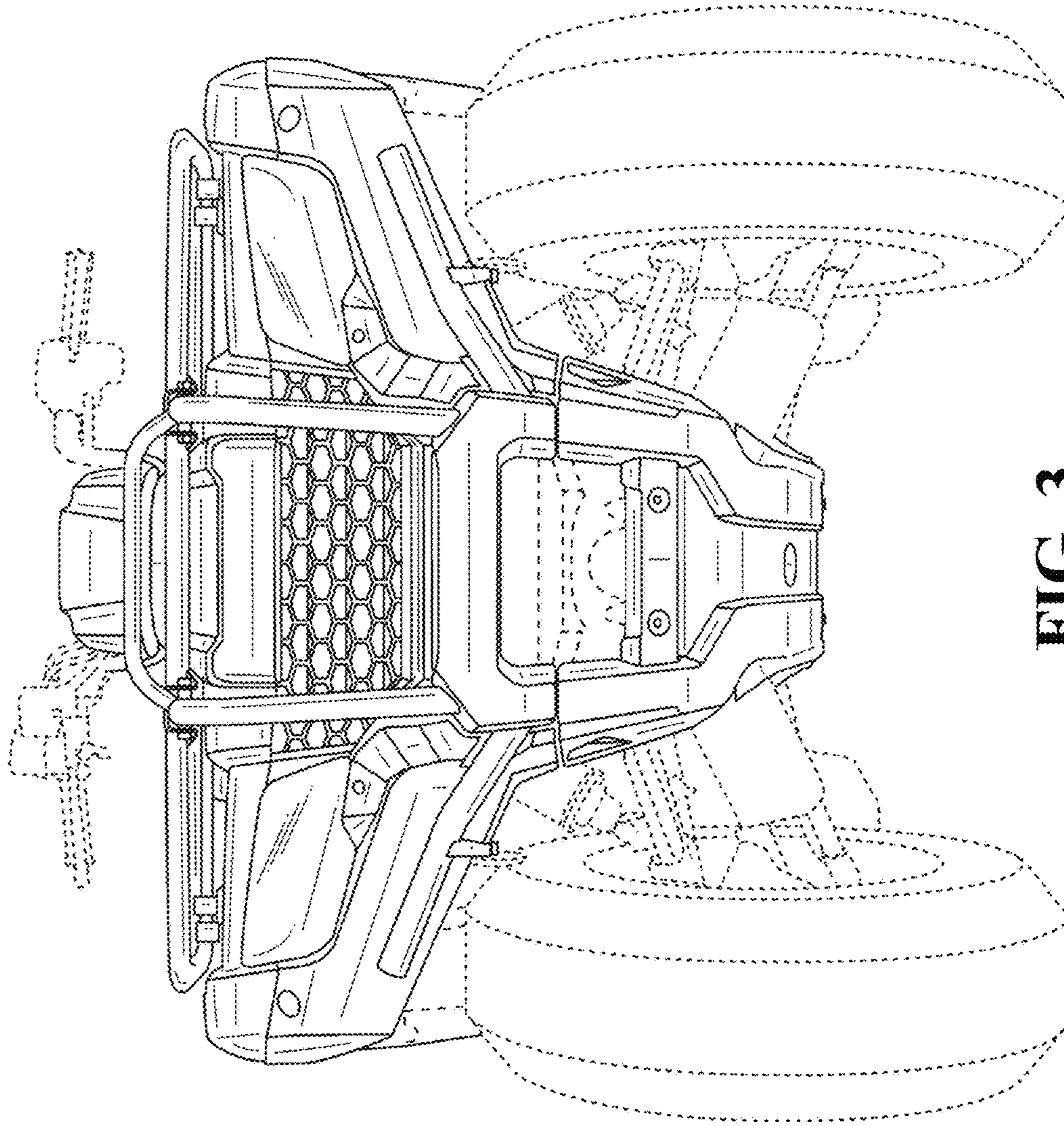


FIG. 3

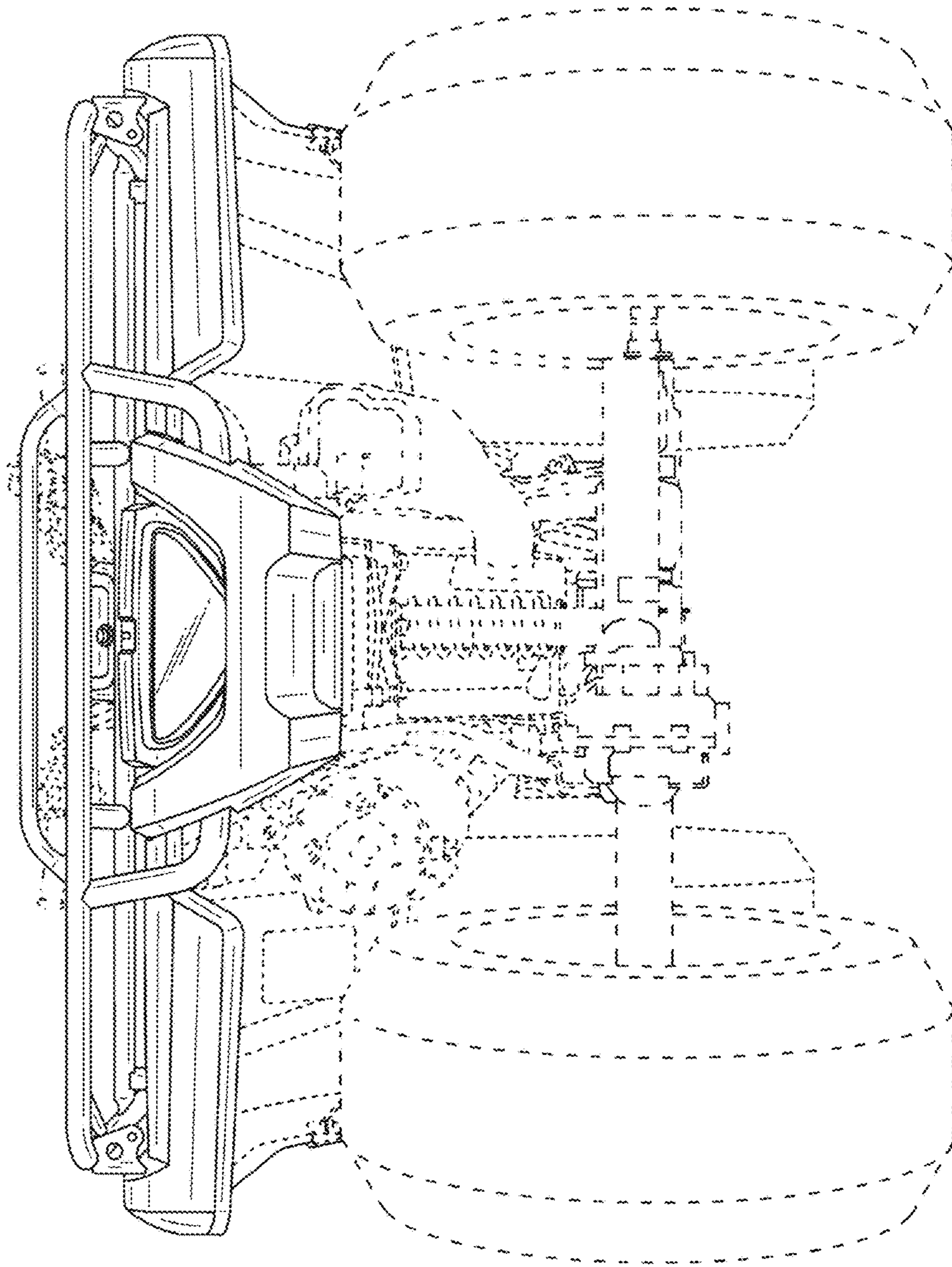


FIG. 4

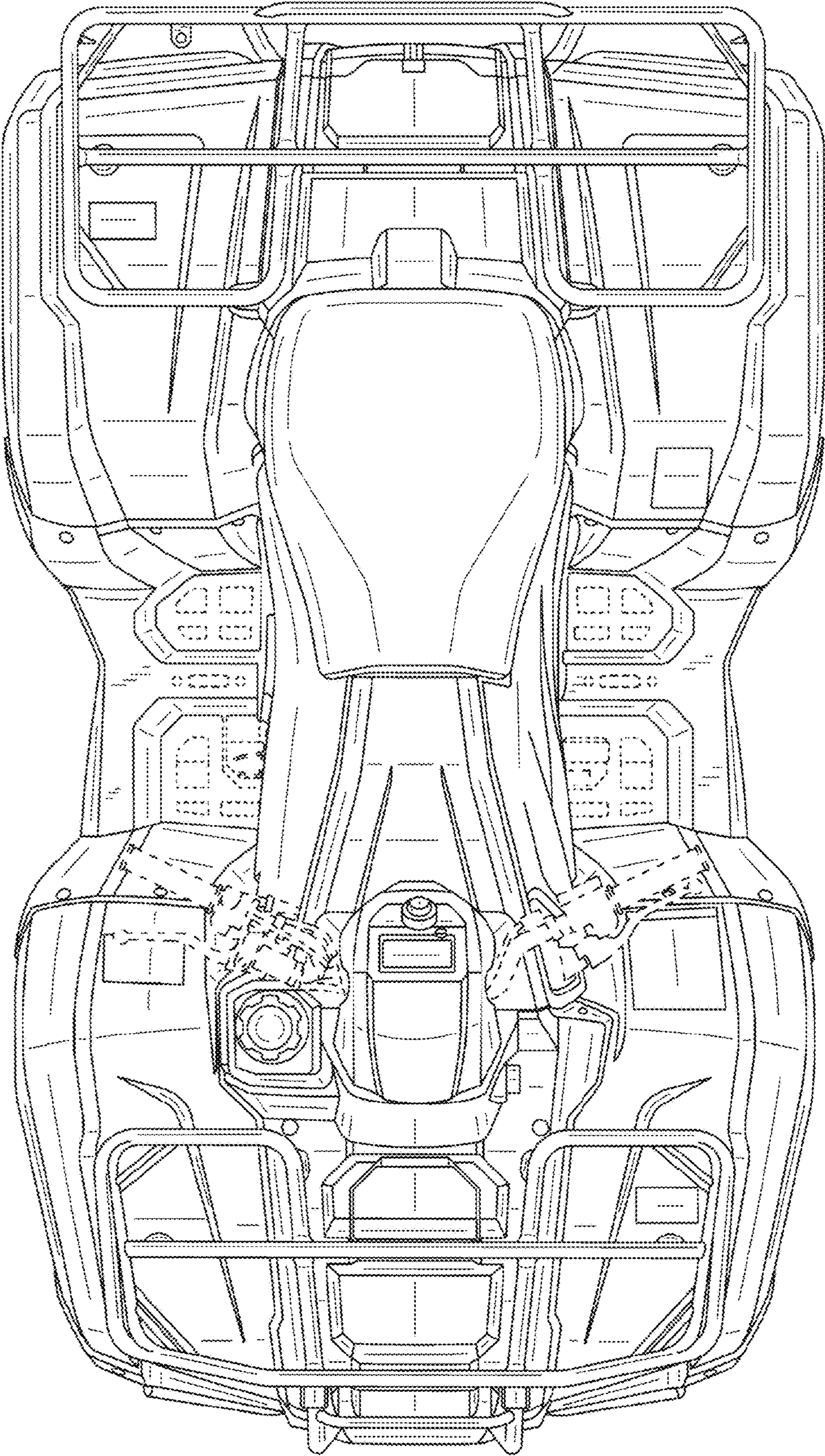


FIG. 5

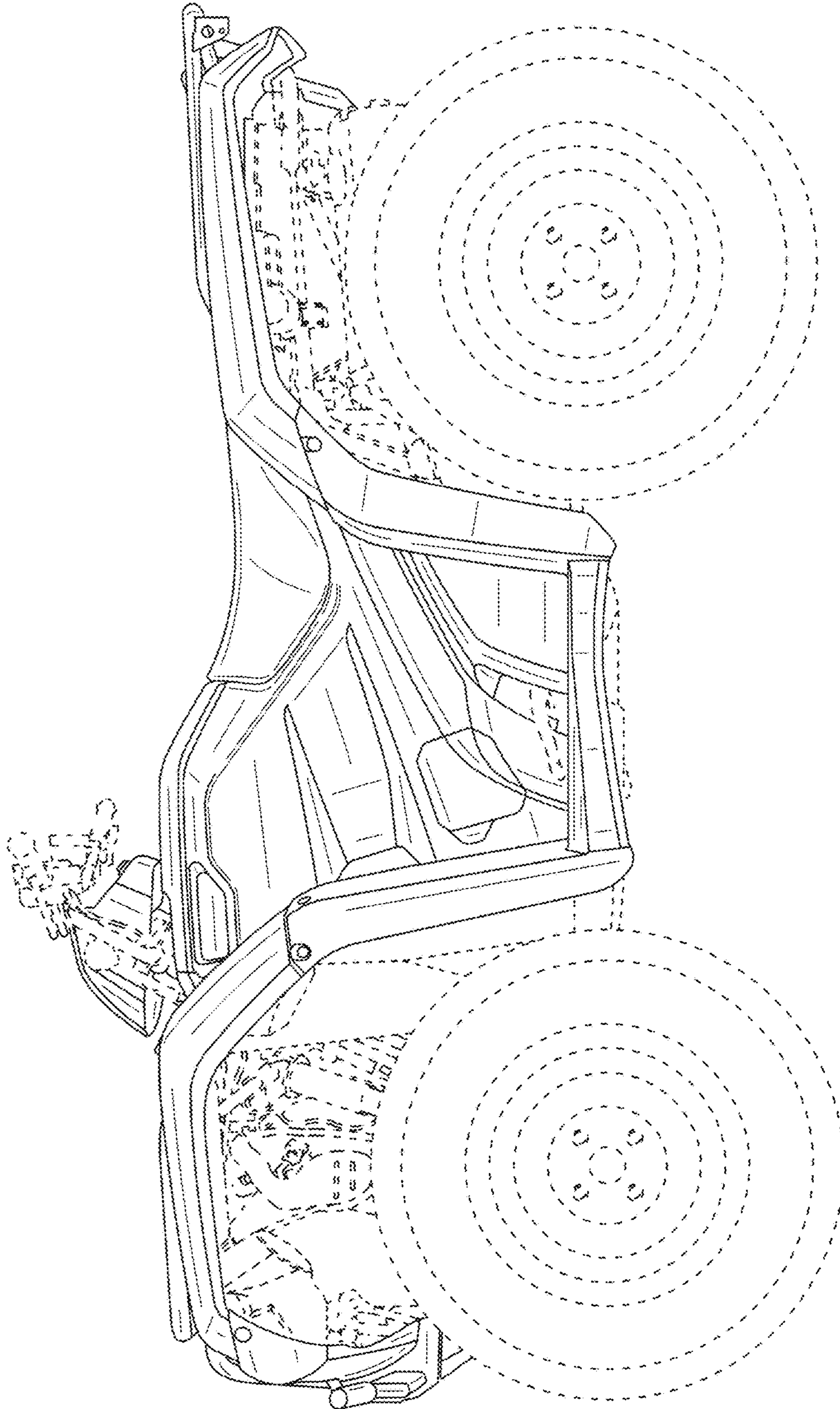


FIG. 6

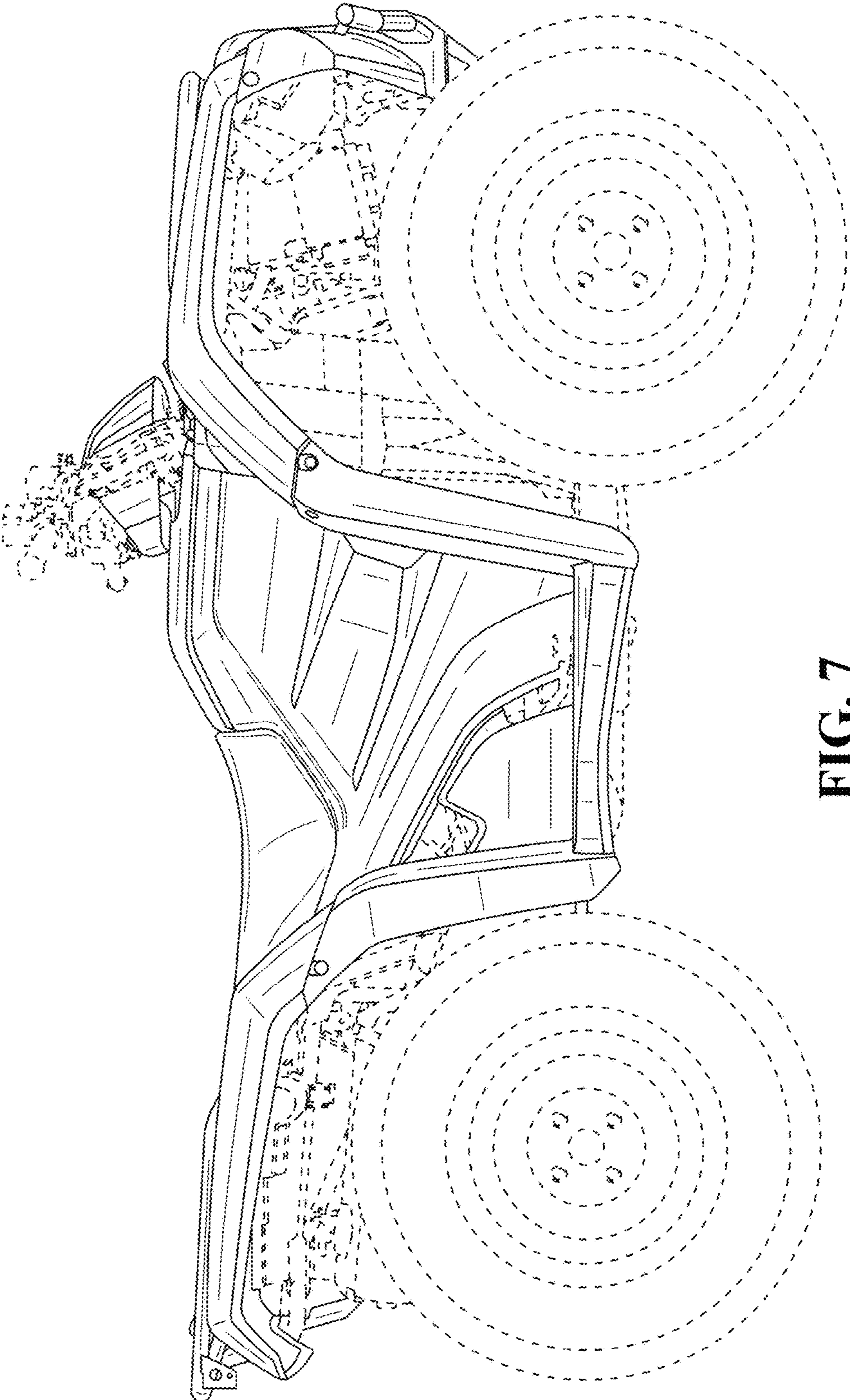


FIG. 7