



US00D775551S

(12) **United States Design Patent** (10) **Patent No.:** **US D775,551 S**
Platto et al. (45) **Date of Patent:** **** Jan. 3, 2017**

(54) **VEHICLE EXTERIOR**

(71) Applicant: **Ford Motor Company**, Dearborn, MI (US)
(72) Inventors: **Gordon Platto**, Troy, MI (US); **Sean Tant**, Livonia, MI (US); **William K. Moore**, West Bloomfield, MI (US); **Richard Howard**, Brighton, MI (US)
(73) Assignee: **Ford Motor Company**, Dearborn, MI (US)
(**) Term: **15 Years**
(21) Appl. No.: **29/537,738**
(22) Filed: **Aug. 28, 2015**
(51) **LOC (10) Cl.** **12-08**
(52) **U.S. Cl.**
USPC **D12/98**
(58) **Field of Classification Search**
USPC D12/86, 90-92, 88, 98; D21/424, 433, D21/434, 533; 296/181.1, 181.5, 181.3, 296/183.1, 37.6
CPC B60R 9/06; B62D 35/00
See application file for complete search history.

(56) **References Cited**

U.S. PATENT DOCUMENTS

D600,595 S *	9/2009	Nakamura	D12/98
D607,783 S *	1/2010	Roller	D12/98
D703,586 S *	4/2014	Platto	D12/98
D735,081 S *	7/2015	Sperling	D12/98
D735,082 S *	7/2015	Sperling	D12/98
D755,679 S *	5/2016	Sato	D12/98
D764,980 S *	8/2016	Platto	D12/98

* cited by examiner

Primary Examiner — Melody N Brown

(74) *Attorney, Agent, or Firm* — Damian Porcari

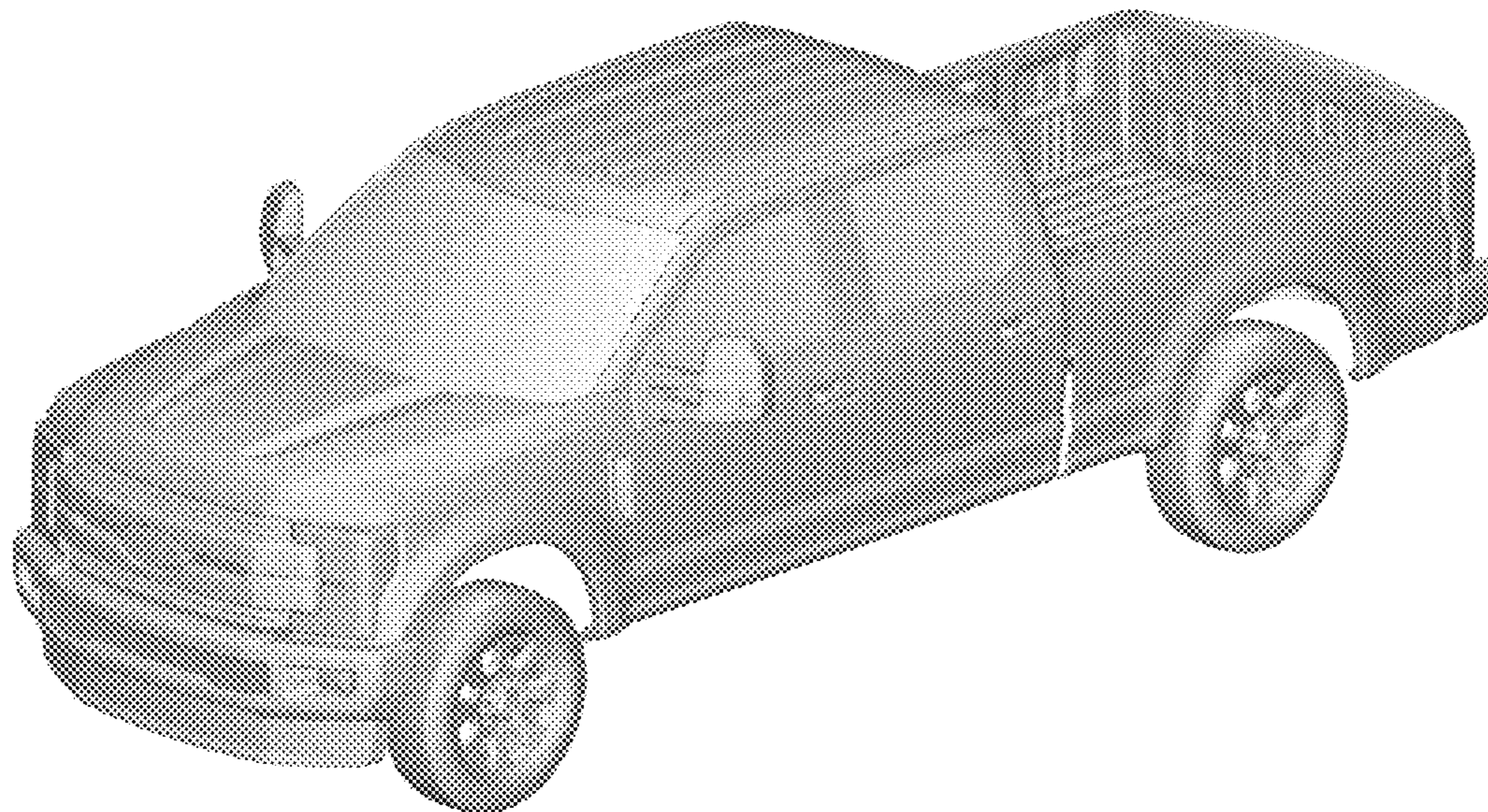
(57) **CLAIM**

The ornamental design for a vehicle exterior, as shown and described.

DESCRIPTION

FIG. 1 is a front left perspective view of a vehicle exterior; FIG. 2 is a rear left perspective view thereof; FIG. 3 is a front elevational view thereof; FIG. 4 is a rear elevational view thereof; FIG. 5 is a left side elevational view thereof; FIG. 6 is a right side elevational view thereof; and, FIG. 7 is a top plan view thereof.

1 Claim, 7 Drawing Sheets



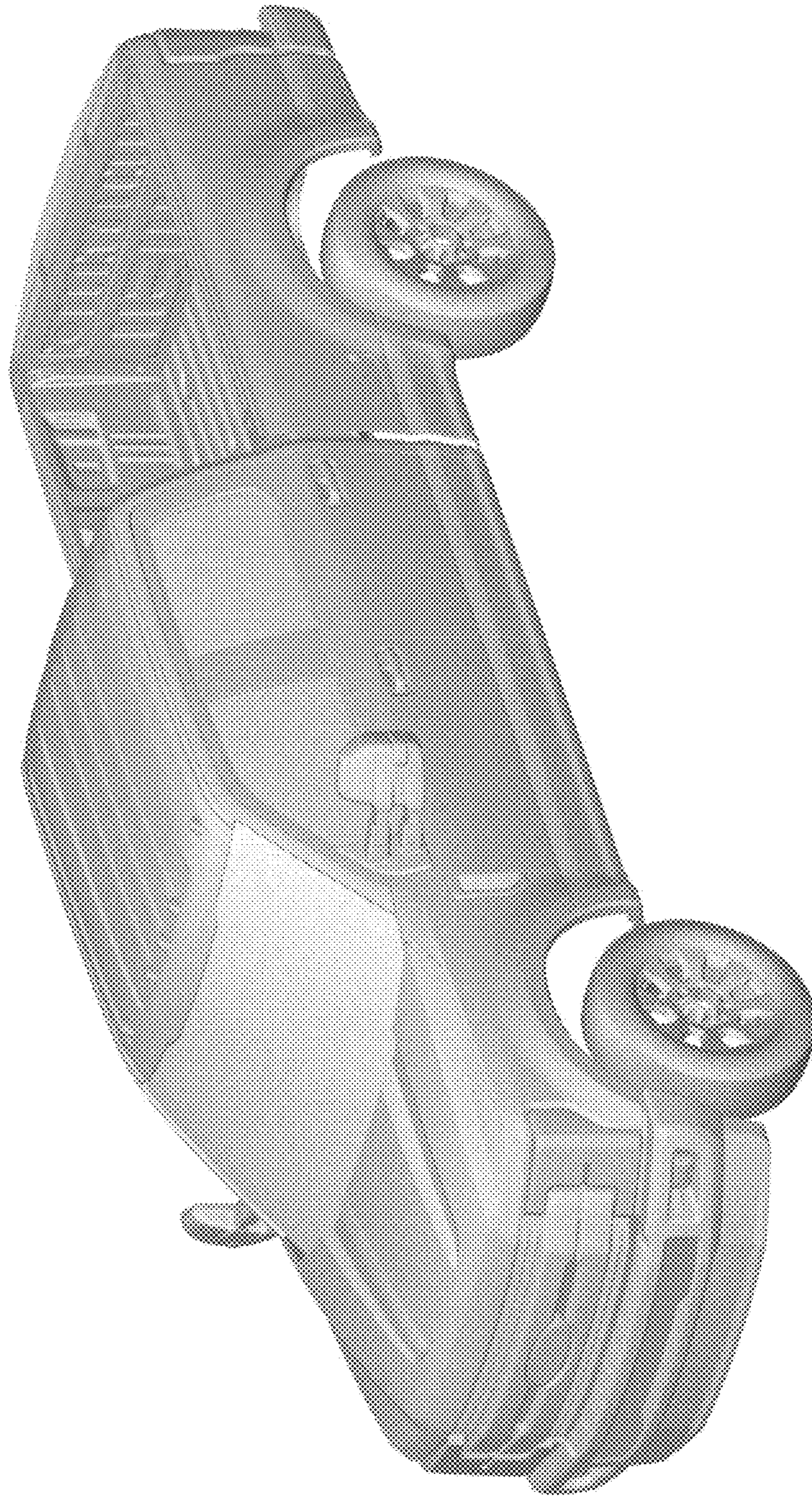


Figure 1

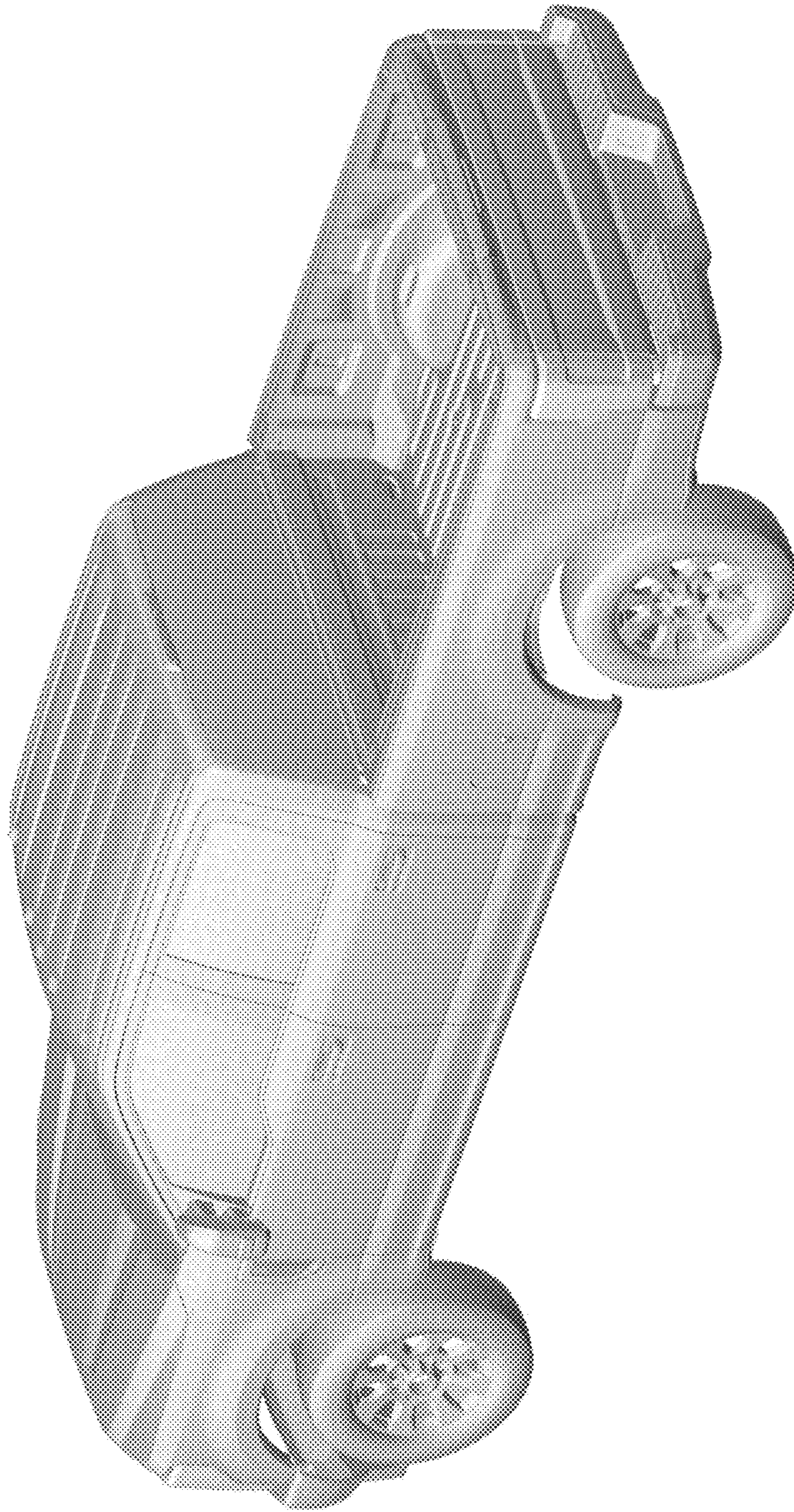


Figure 2

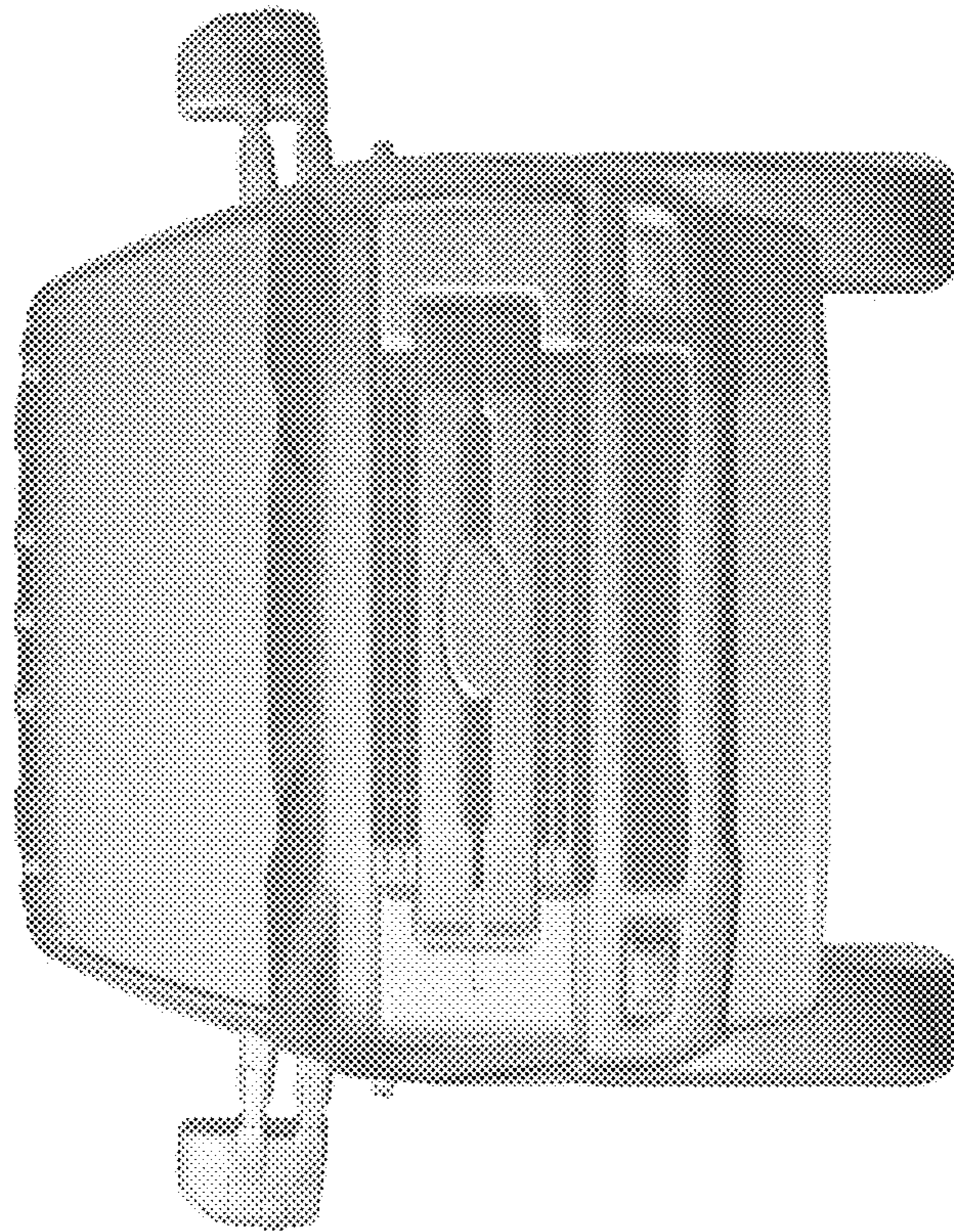


Figure 3

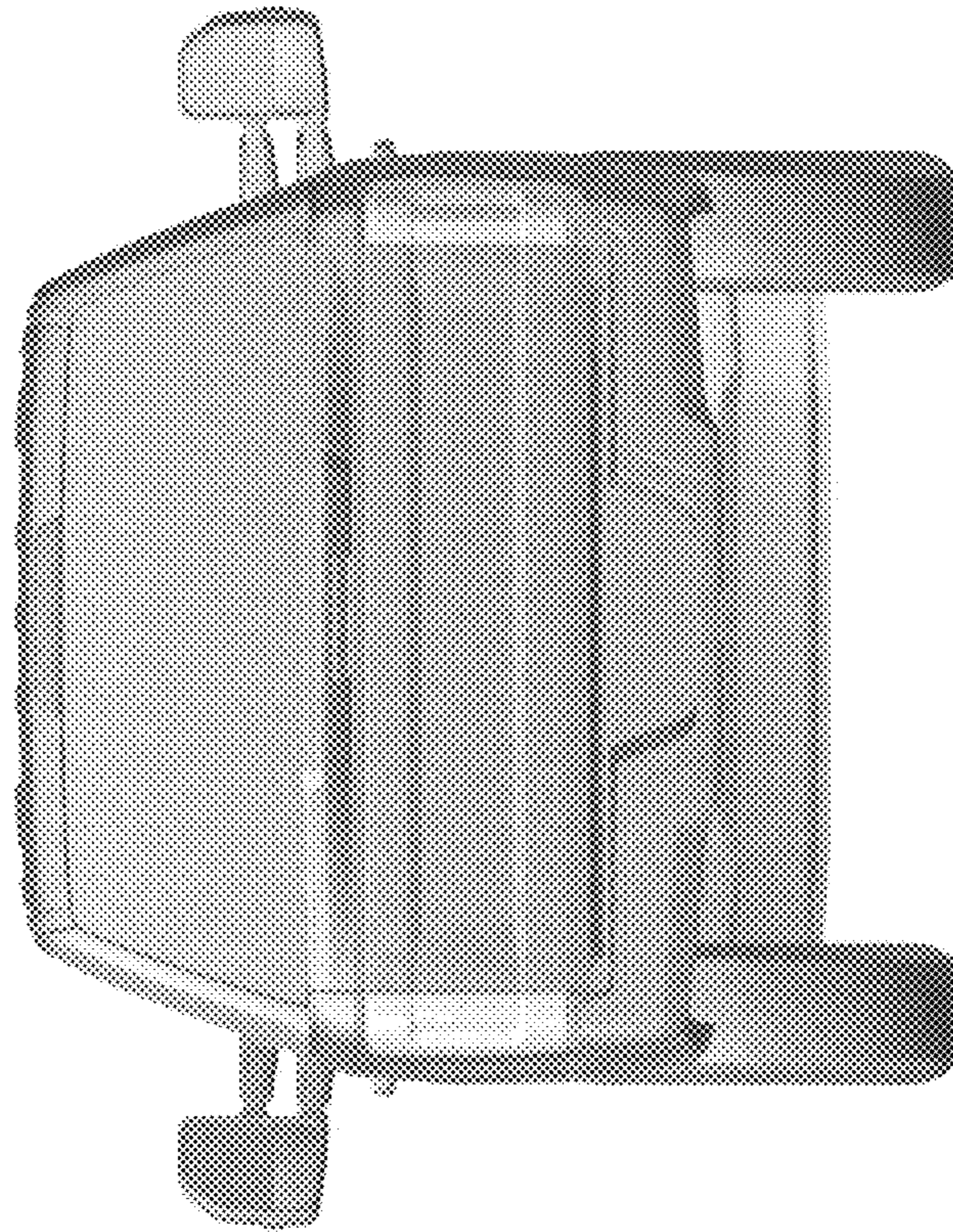


Figure 4

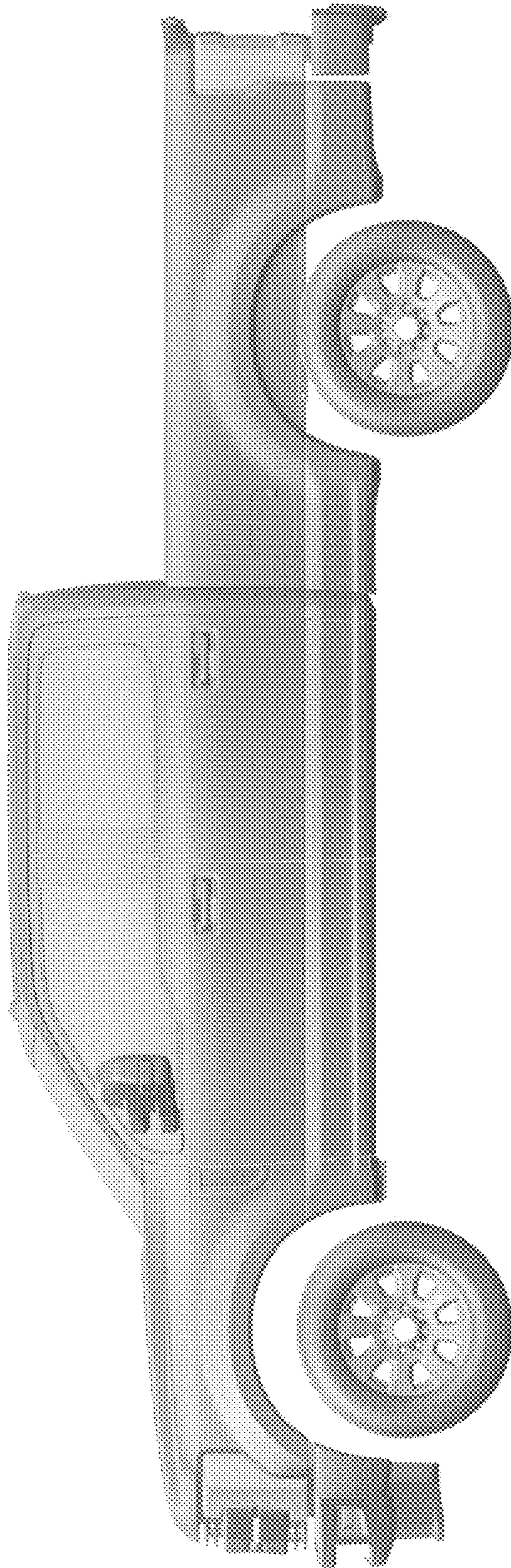


Figure 5

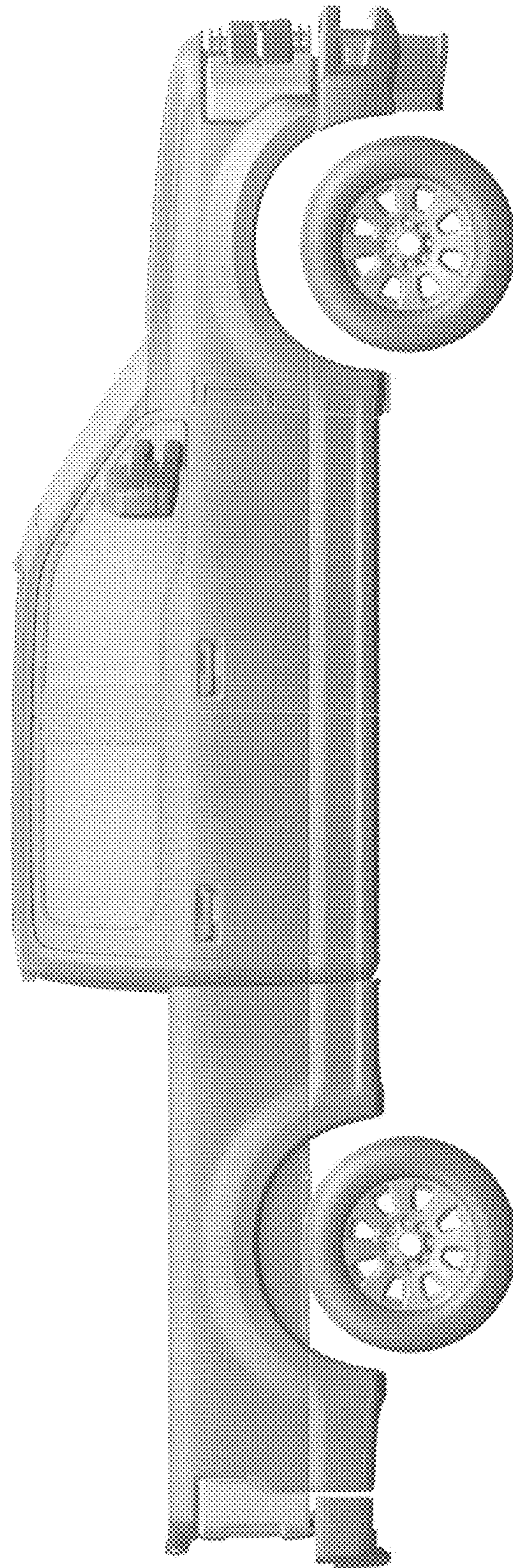


Figure 6

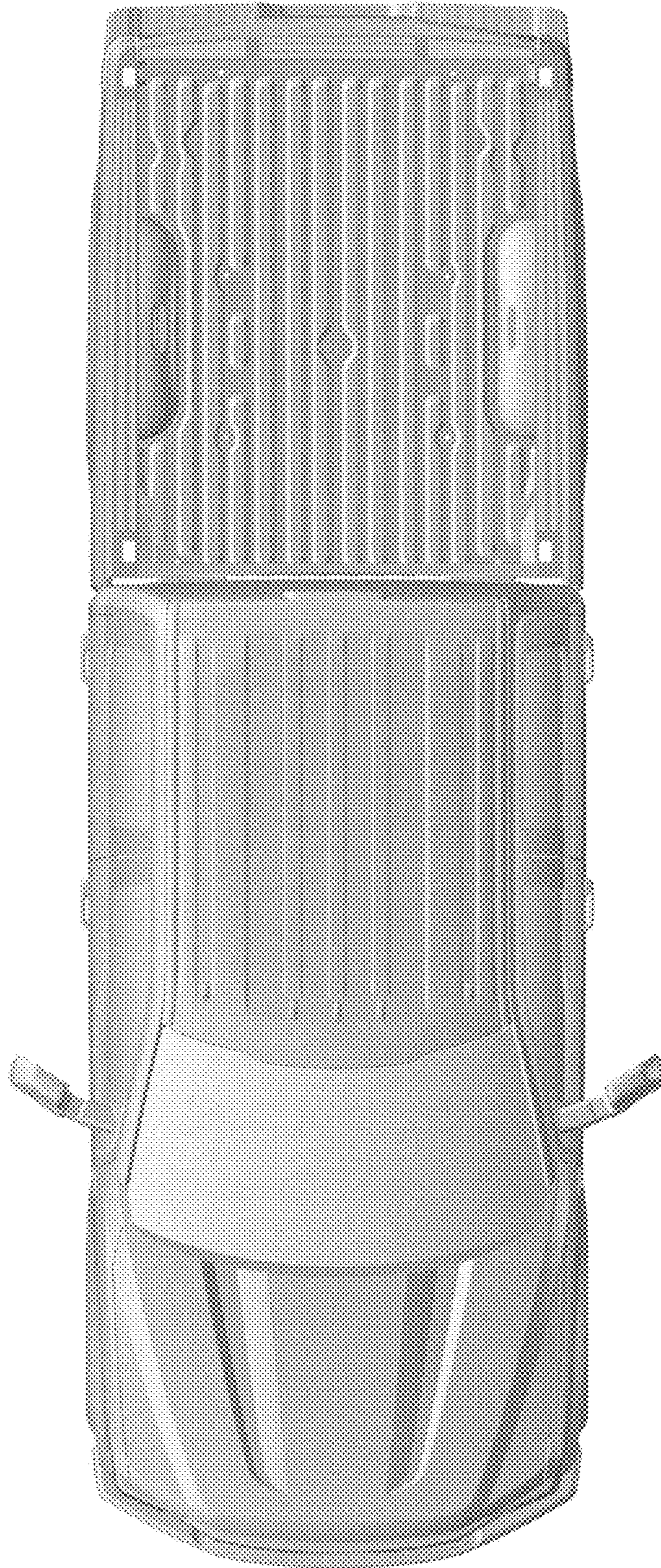


Figure 7