



US00D775547S

(12) **United States Design Patent**
Chen

(10) **Patent No.:** **US D775,547 S**

(45) **Date of Patent:** **** Jan. 3, 2017**

(54) **BUCKLE**

(71) Applicant: **Chun-Nan Chen**, Tainan (TW)

(72) Inventor: **Chun-Nan Chen**, Tainan (TW)

(**) Term: **15 Years**

(21) Appl. No.: **29/536,980**

(22) Filed: **Aug. 21, 2015**

(51) **LOC (10) Cl.** **02-07**

(52) **U.S. Cl.**
USPC **D11/208**

(58) **Field of Classification Search**
USPC D11/1-2, 200-201, 206-210, 214-218,
D11/86, 87; 24/163 R, 169-171, 173,
24/177-179, 191, 194-195, 197, 200,
24/614-616, 625, 198; D8/395
CPC A44B 11/00; A44B 11/02; A44B 11/25;
A44B 17/00; A44B 21/00; A41F 19/00;
A41F 9/00

See application file for complete search history.

(56) **References Cited**

U.S. PATENT DOCUMENTS

1,947,368 A * 2/1934 White A41F 11/02
24/194
D109,019 S * 3/1938 Kestin D11/210

D168,244 S * 11/1952 Stelzer D11/220
D204,260 S * 4/1966 Moskowitz D11/200
D239,195 S * 3/1976 Aquilino D11/79
D275,621 S * 9/1984 Kanzaka D11/200
D342,465 S * 12/1993 Anthony D11/200
D415,067 S * 10/1999 Tung D11/200
D536,638 S * 2/2007 Fildan D11/210
D632,608 S * 2/2011 Corrado D11/208
D632,610 S * 2/2011 Corrado D11/208
D730,238 S * 5/2015 Rorich D11/200

* cited by examiner

Primary Examiner — Ralf Seifert

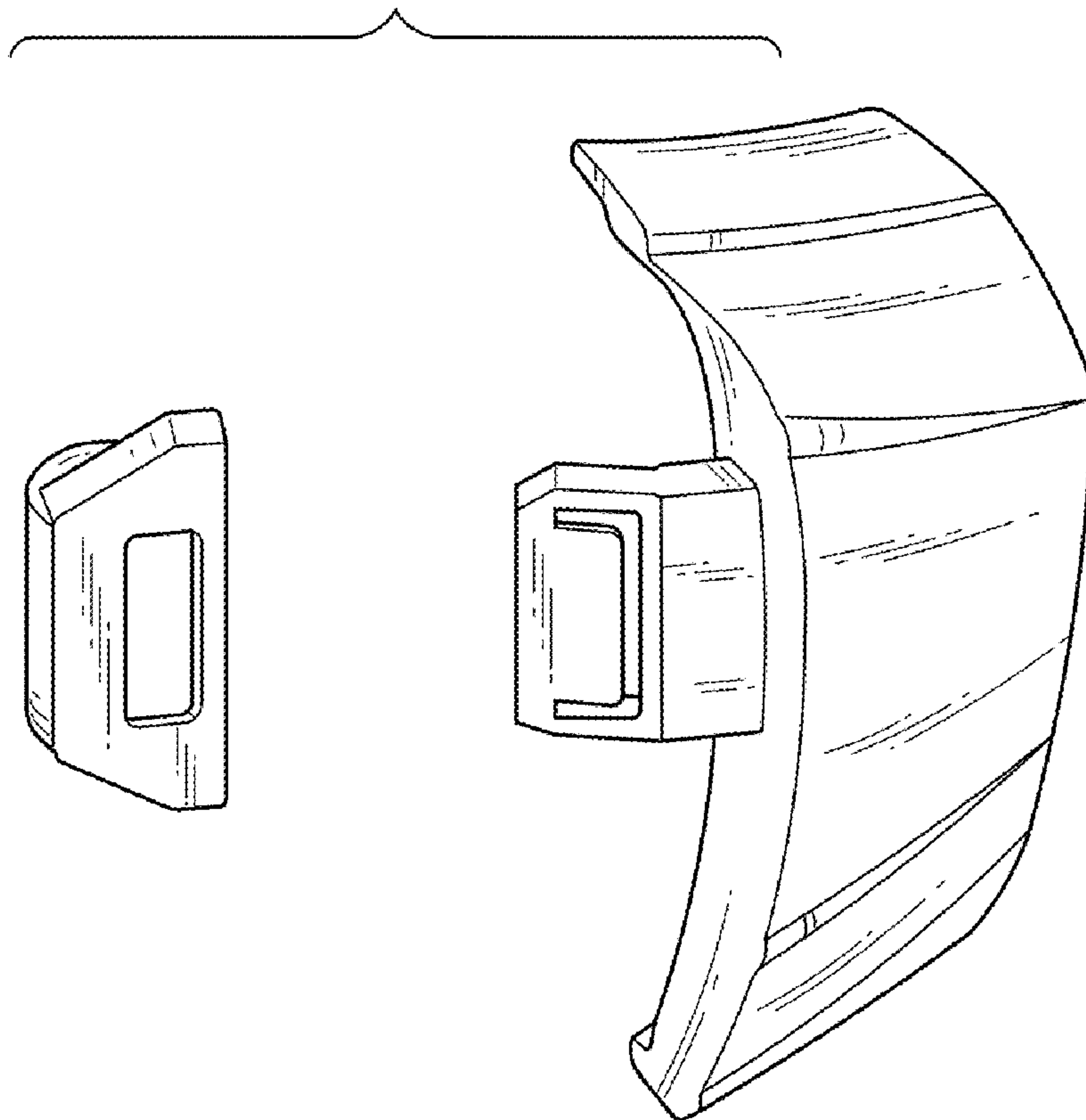
(57) **CLAIM**

The ornamental design for a buckle, as shown and described.

DESCRIPTION

FIG. 1 is a perspective view of a buckle showing my new design;
FIG. 2 is a front elevational view thereof;
FIG. 3 is a rear elevational view thereof;
FIG. 4 is a left side elevational view thereof;
FIG. 5 is a right side elevational view thereof;
FIG. 6 is a top plan view thereof;
FIG. 7 is a bottom plan view thereof;
FIG. 8 is a first exploded perspective view thereof; and,
FIG. 9 is a second exploded perspective view thereof.

1 Claim, 6 Drawing Sheets



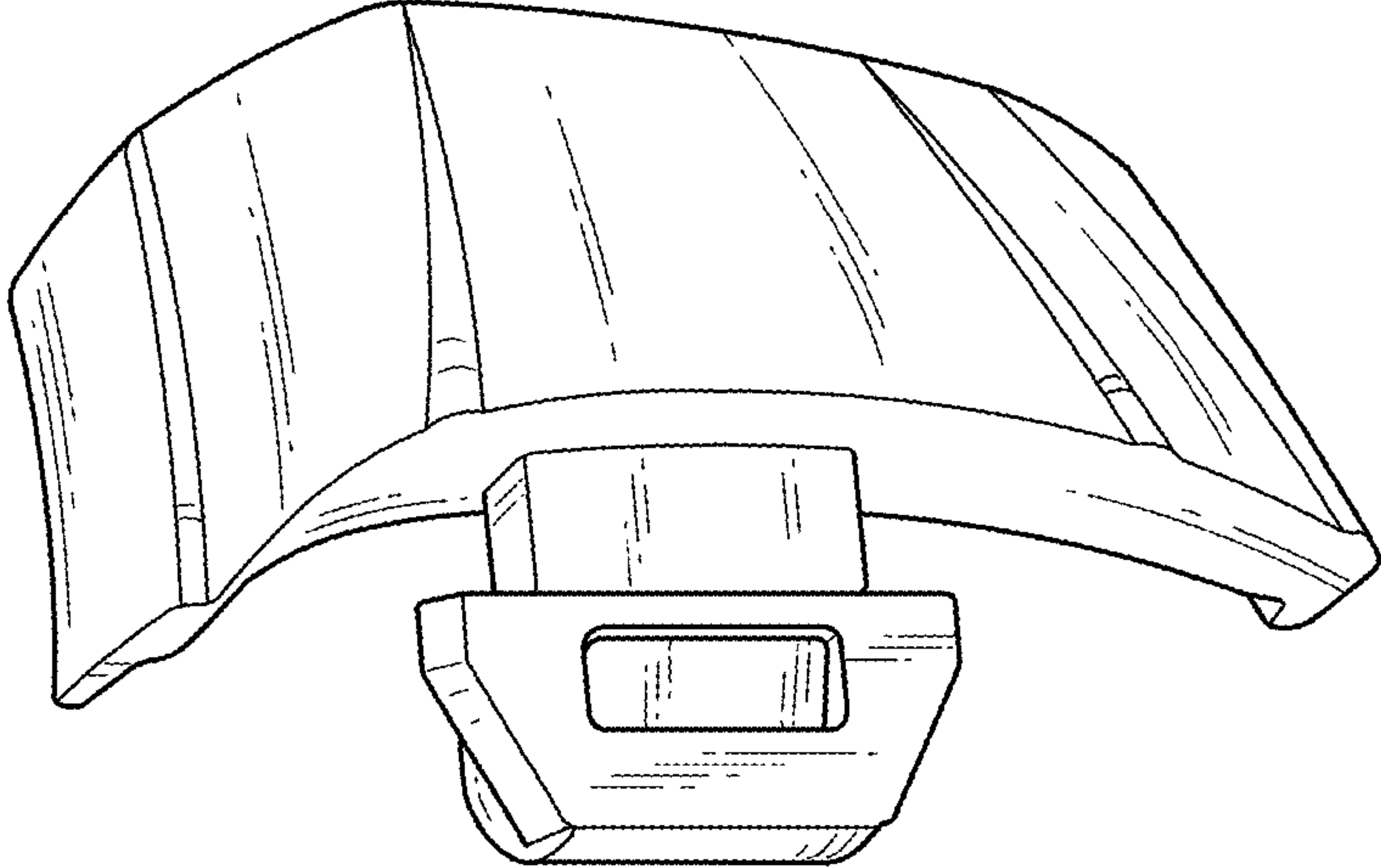


FIG. 1

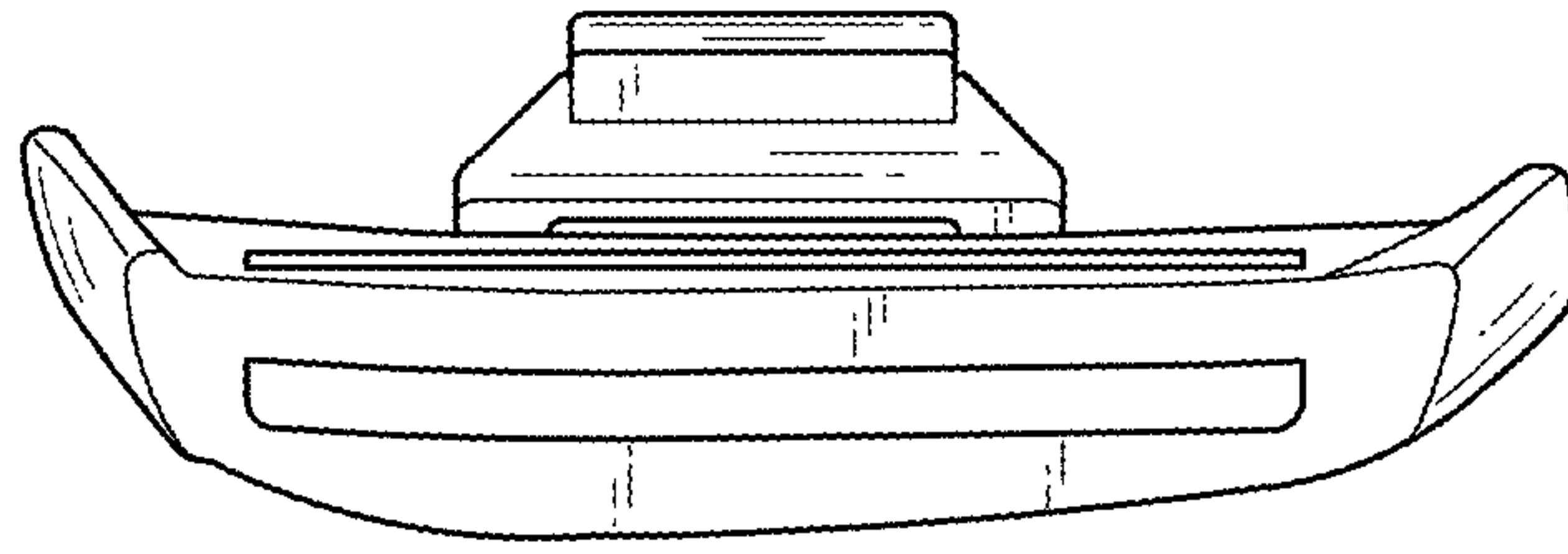


FIG. 3

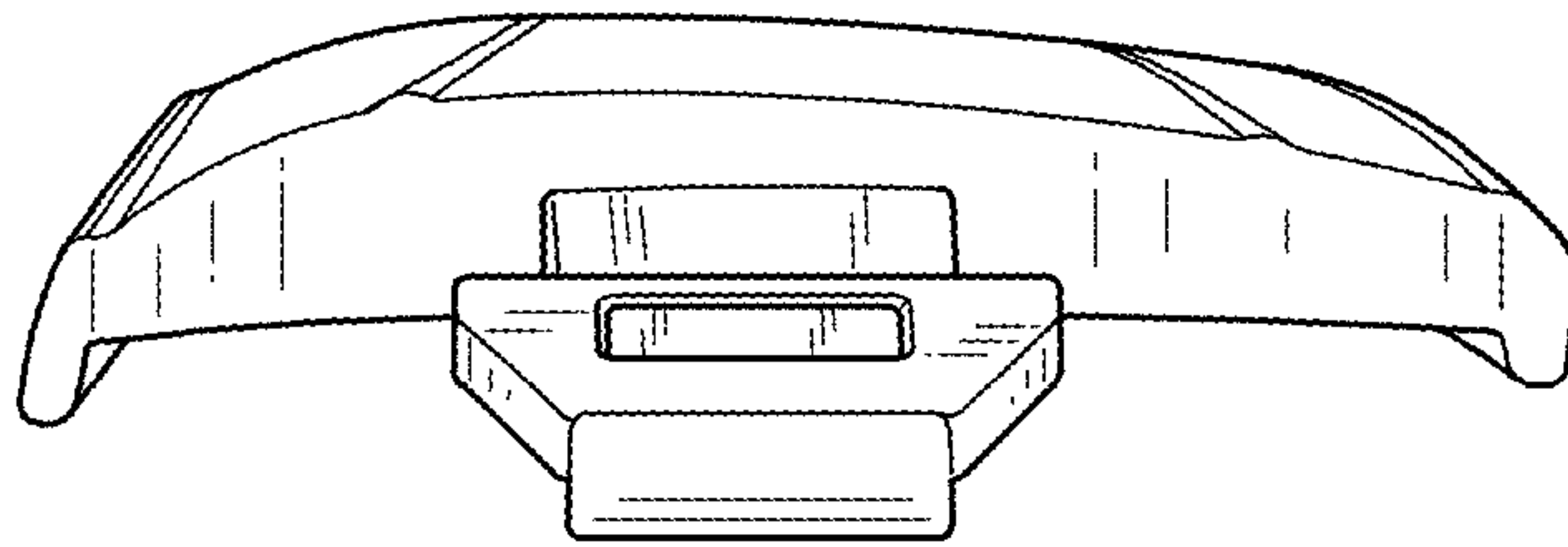


FIG. 2

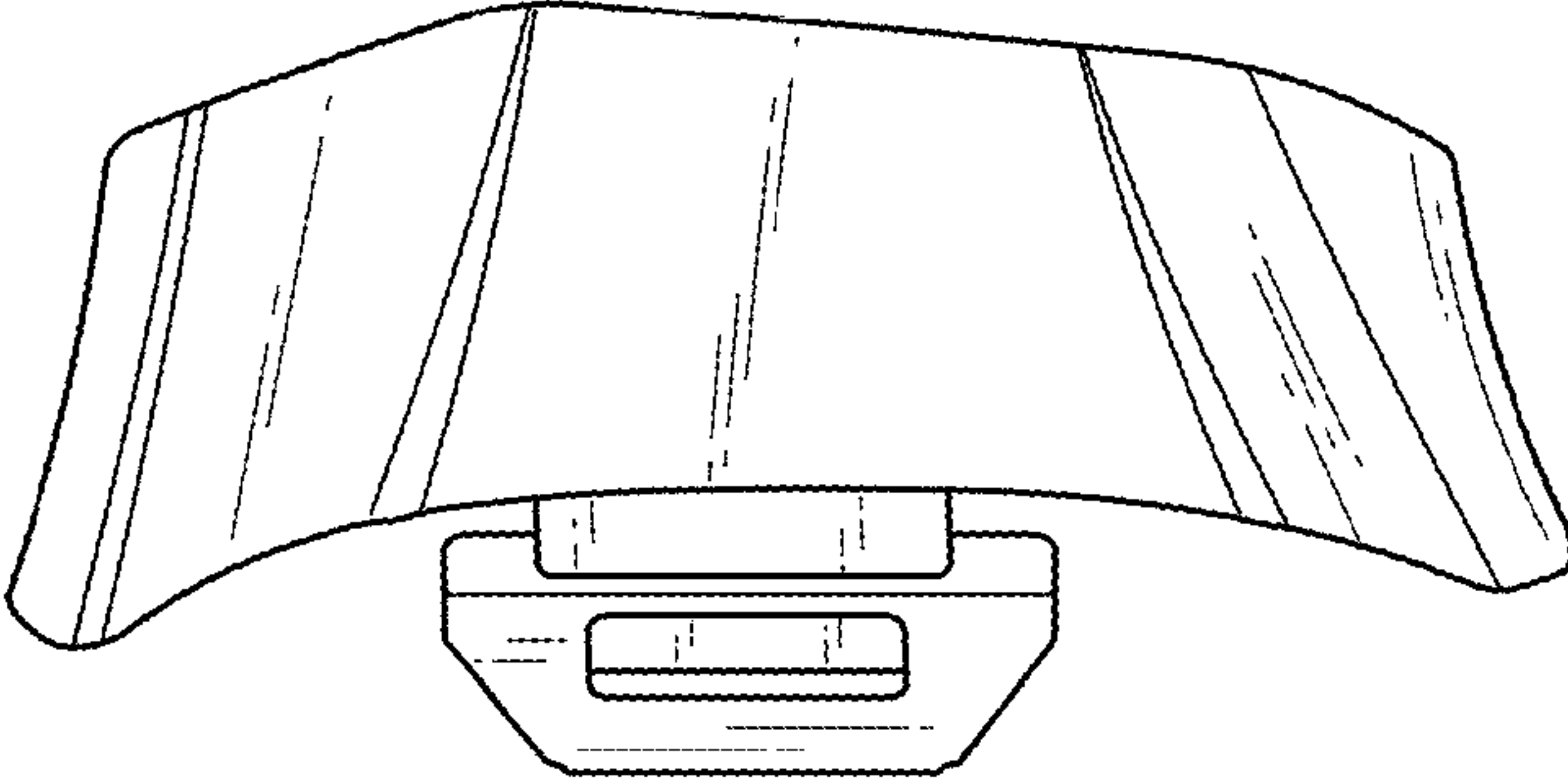


FIG. 5

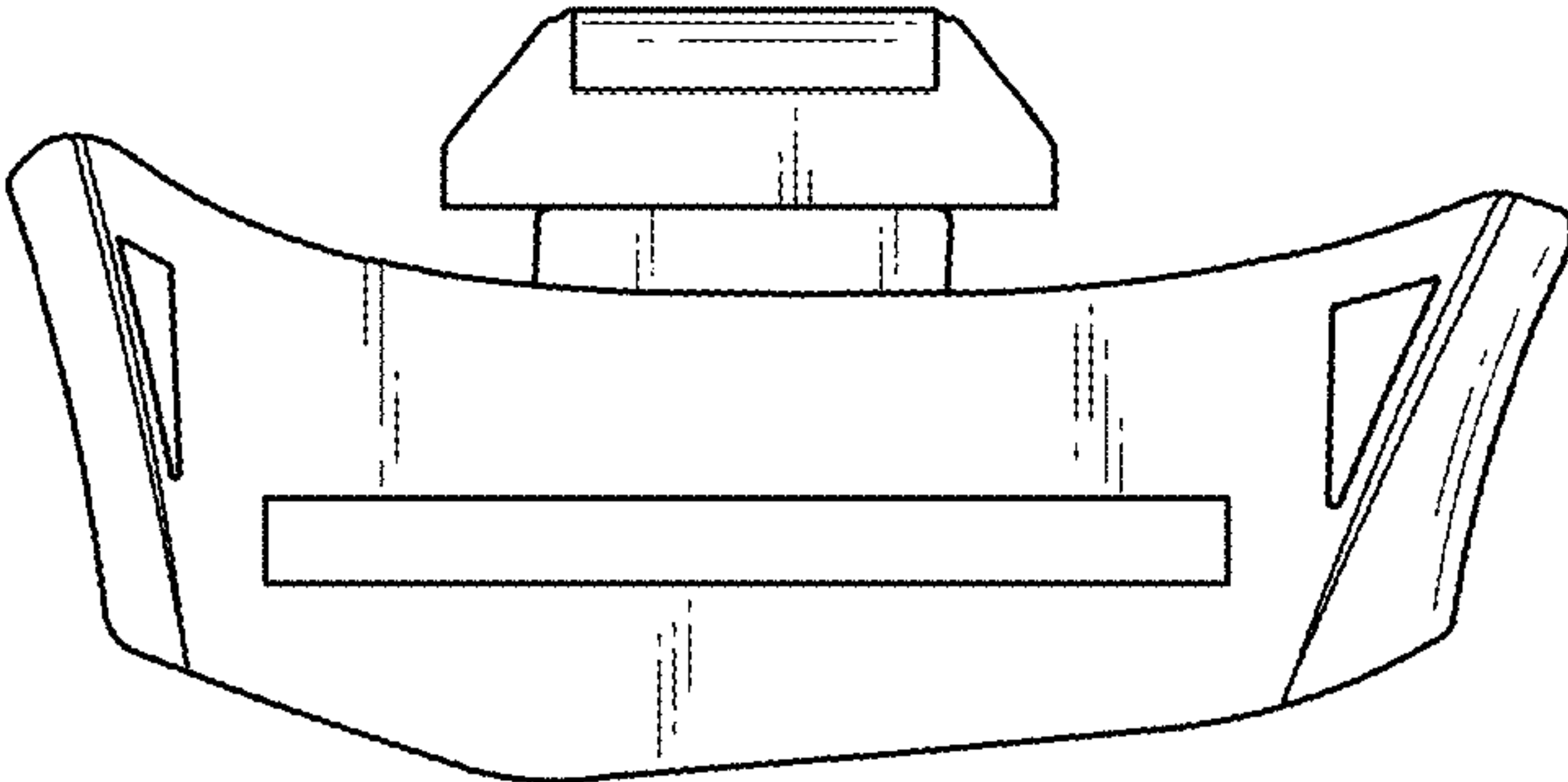


FIG. 4

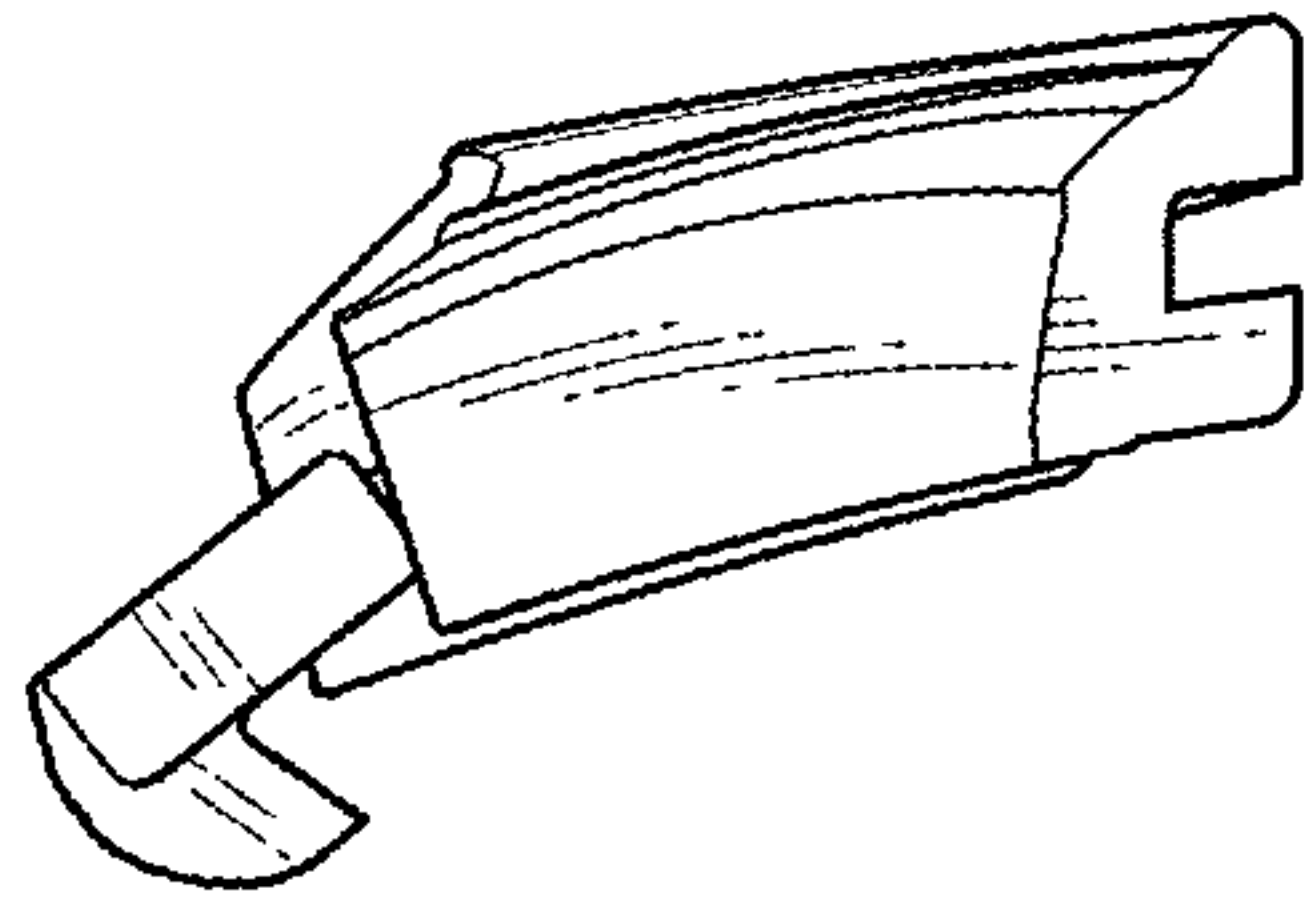


FIG. 7

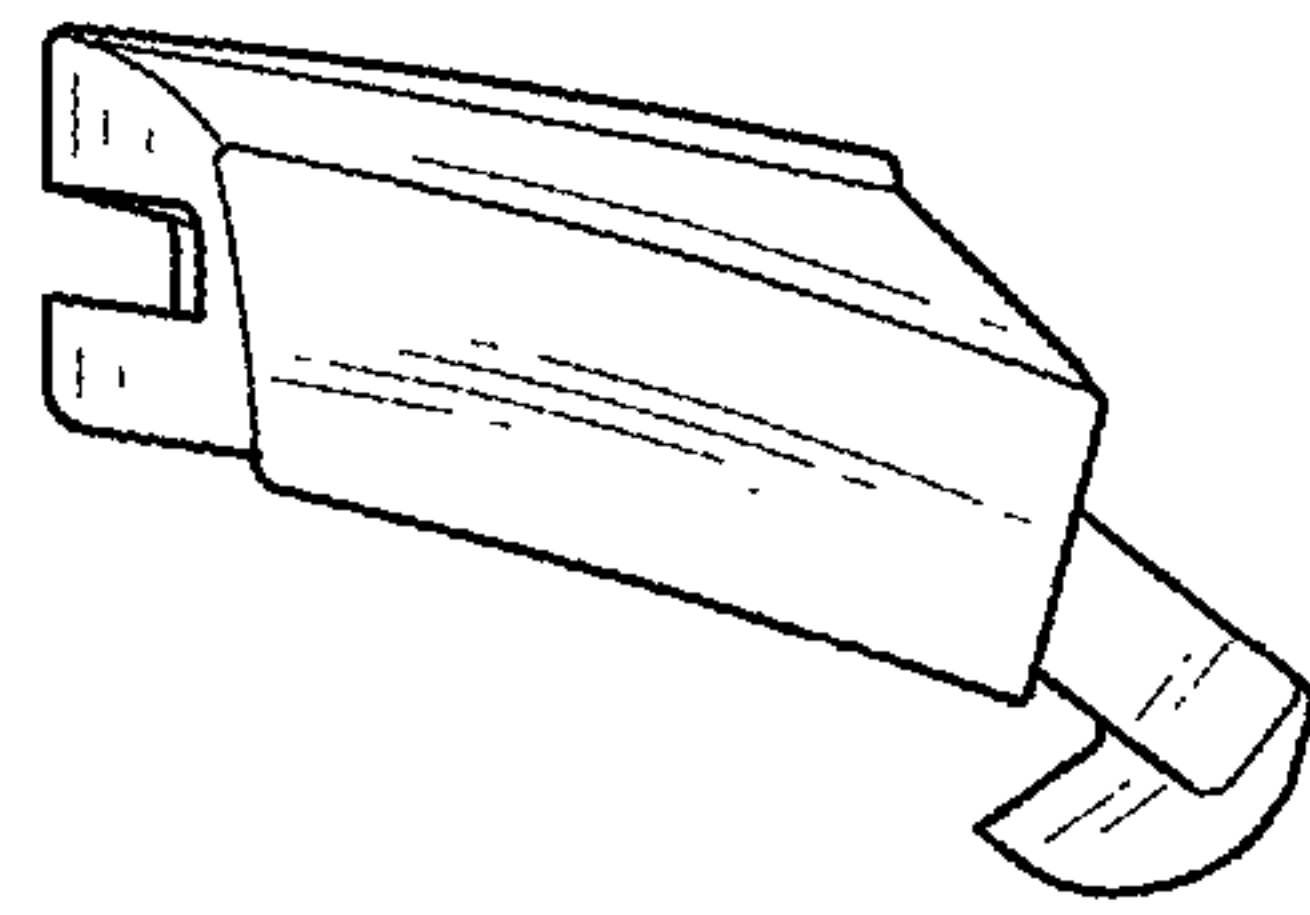


FIG. 6

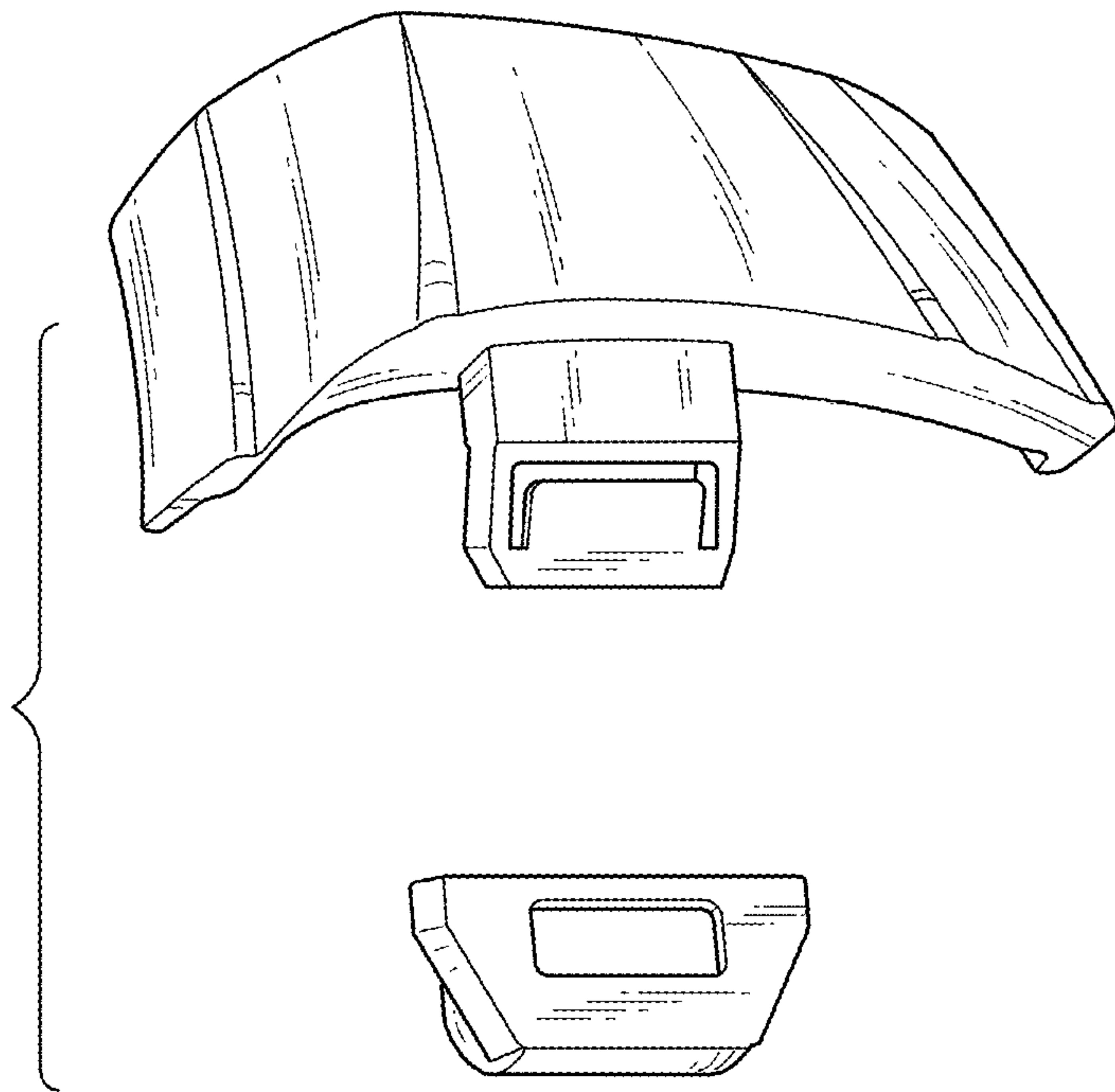


FIG. 8

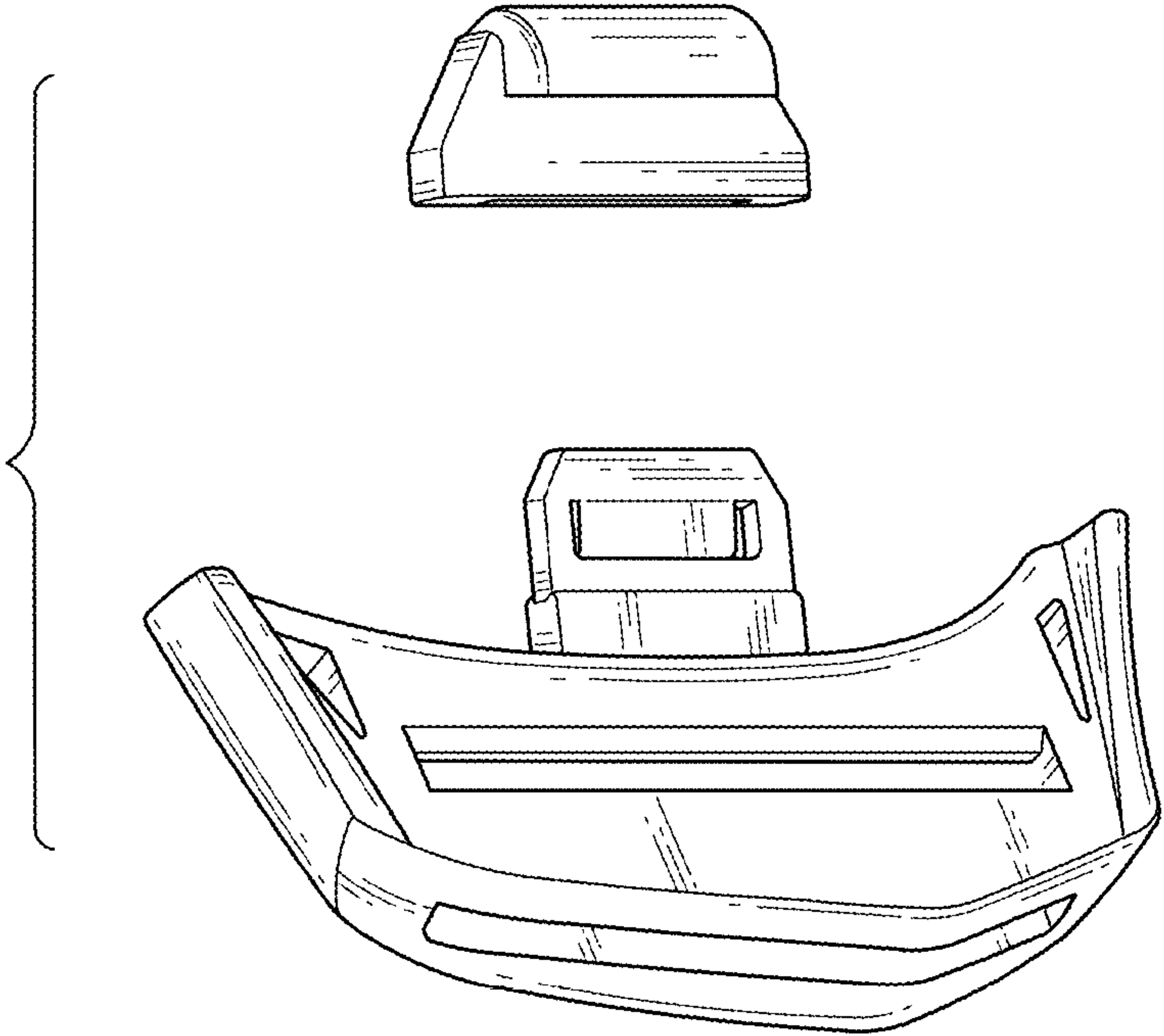


FIG. 9