



US00D775546S

(12) **United States Design Patent**
Mobed et al.

(10) **Patent No.:** **US D775,546 S**
(45) **Date of Patent:** **** Jan. 3, 2017**

- (54) **PLANTER BOX**
- (71) Applicants: **Ketty Mobed**, San Francisco, CA (US);
Jafar Yaghoobi, San Francisco, CA (US)
- (72) Inventors: **Ketty Mobed**, San Francisco, CA (US);
Jafar Yaghoobi, San Francisco, CA (US)
- (73) Assignee: **Ketty Mobed**, San Francisco, CA (US)
- (**) Term: **15 Years**
- (21) Appl. No.: **29/563,299**
- (22) Filed: **May 4, 2016**
- (51) **LOC (10) Cl.** **11-02**
- (52) **U.S. Cl.**
USPC **D11/143**
- (58) **Field of Classification Search**
USPC D3/304, 310, 313, 901; D7/555; D9/737,
D9/430; D11/143-156, 164
CPC A01G 1/08; A01G 9/02; A01G 9/028;
A01G 9/10; A01G 9/102; A01G 9/104;
A01G 9/20; A01G 31/02; A47G 19/30;
A47G 23/06; B65D 25/04
See application file for complete search history.

- 2,782,561 A * 2/1957 Smith A01G 13/0237
47/21.1
- D278,521 S * 4/1985 Baird D11/143
- 4,708,256 A * 11/1987 Intardonato A47G 23/06
220/23.4
- 4,788,792 A * 12/1988 Womick A47G 7/041
47/41.12
- 4,869,018 A * 9/1989 Scales A01G 27/02
47/33
- D348,028 S * 6/1994 Sheaffer D11/156
- 5,454,189 A * 10/1995 Graham A01G 5/04
47/41.01
- 5,918,411 A * 7/1999 Hadrava A01G 13/0281
47/21.1
- 6,161,333 A * 12/2000 Poston A01G 9/02
47/86
- 6,269,589 B1 * 8/2001 Bouler A01G 9/023
47/65.5
- D463,318 S * 9/2002 McKendree D11/143
- D488,741 S * 4/2004 Moya D11/143
- D492,617 S * 7/2004 Axworthy D11/149
- 7,958,671 B2 * 6/2011 Sheaffer A01G 9/02
47/65.5

(Continued)

Primary Examiner — Elizabeth Albert

(57) **CLAIM**

The ornamental design for a planter box, as shown and described.

DESCRIPTION

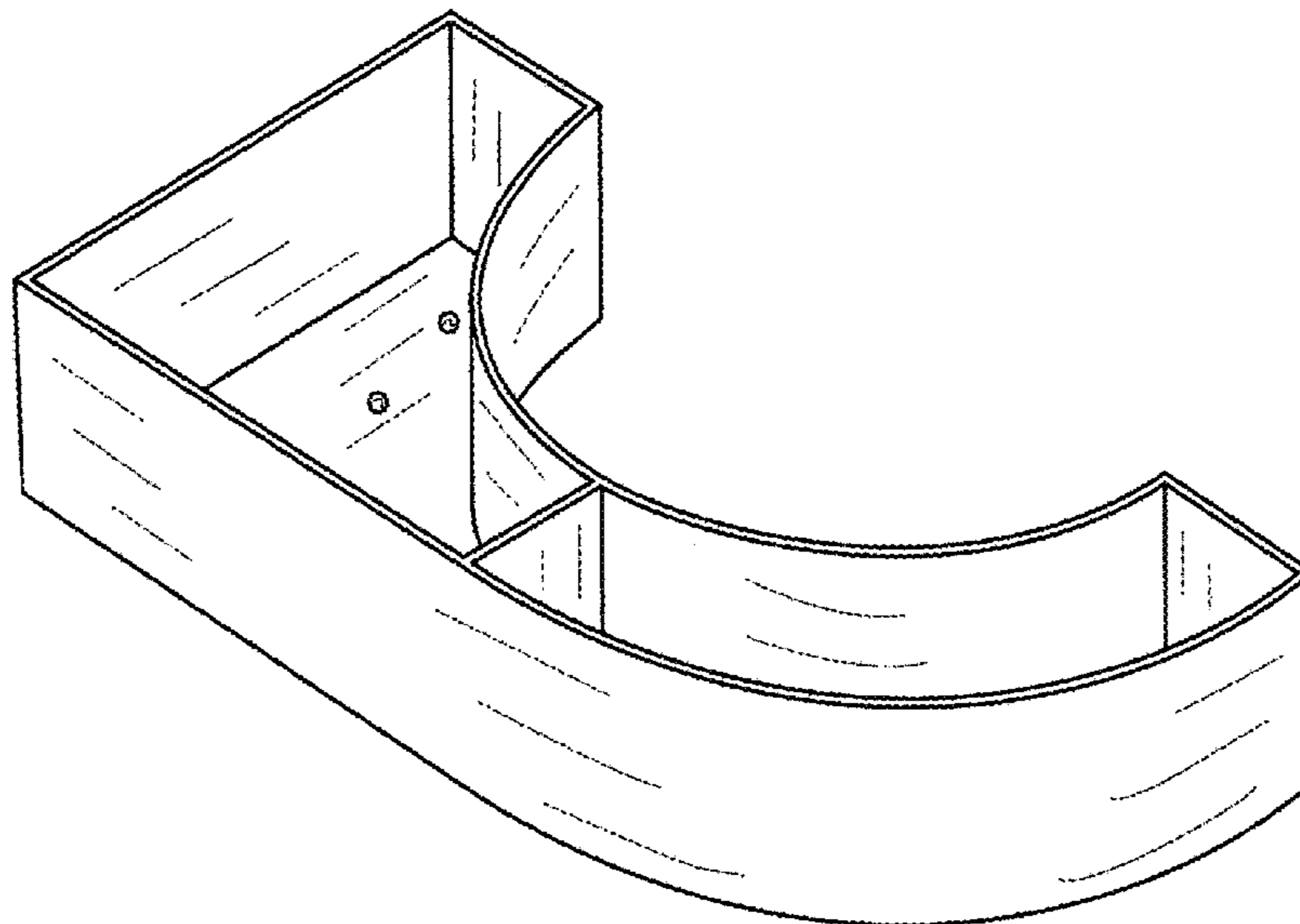
FIG. 1 is a front side perspective view of a planter box showing our new design;
FIG. 2 is a front perspective view thereof;
FIG. 3 is a rear perspective view thereof;
FIG. 4 is a top plan view thereof;
FIG. 5 is a bottom plan view thereof;
FIG. 6 is a left side elevation view thereof; and,
FIG. 7 is a right side elevation view thereof.

1 Claim, 4 Drawing Sheets

(56) **References Cited**

U.S. PATENT DOCUMENTS

- 58,866 A * 10/1866 Mendenhall A01M 1/18
43/108
- 447,221 A * 2/1891 Wiggers B65D 1/34
206/216
- 908,338 A * 12/1908 Slheble B65D 25/04
206/381
- 986,395 A * 3/1911 King A01G 1/08
211/126.3



(56)

References Cited

U.S. PATENT DOCUMENTS

8,082,691 B2 * 12/2011 Walther A01G 1/08
43/58
D668,988 S * 10/2012 Gustafson D11/143
8,312,679 B1 * 11/2012 Rosckes 40/217
D688,896 S * 9/2013 Kassouni D11/143
2010/0242357 A1 * 9/2010 Vogler A01G 1/08
47/33
2016/0021831 A1 * 1/2016 Armstrong A01G 9/02
47/66.1

* cited by examiner

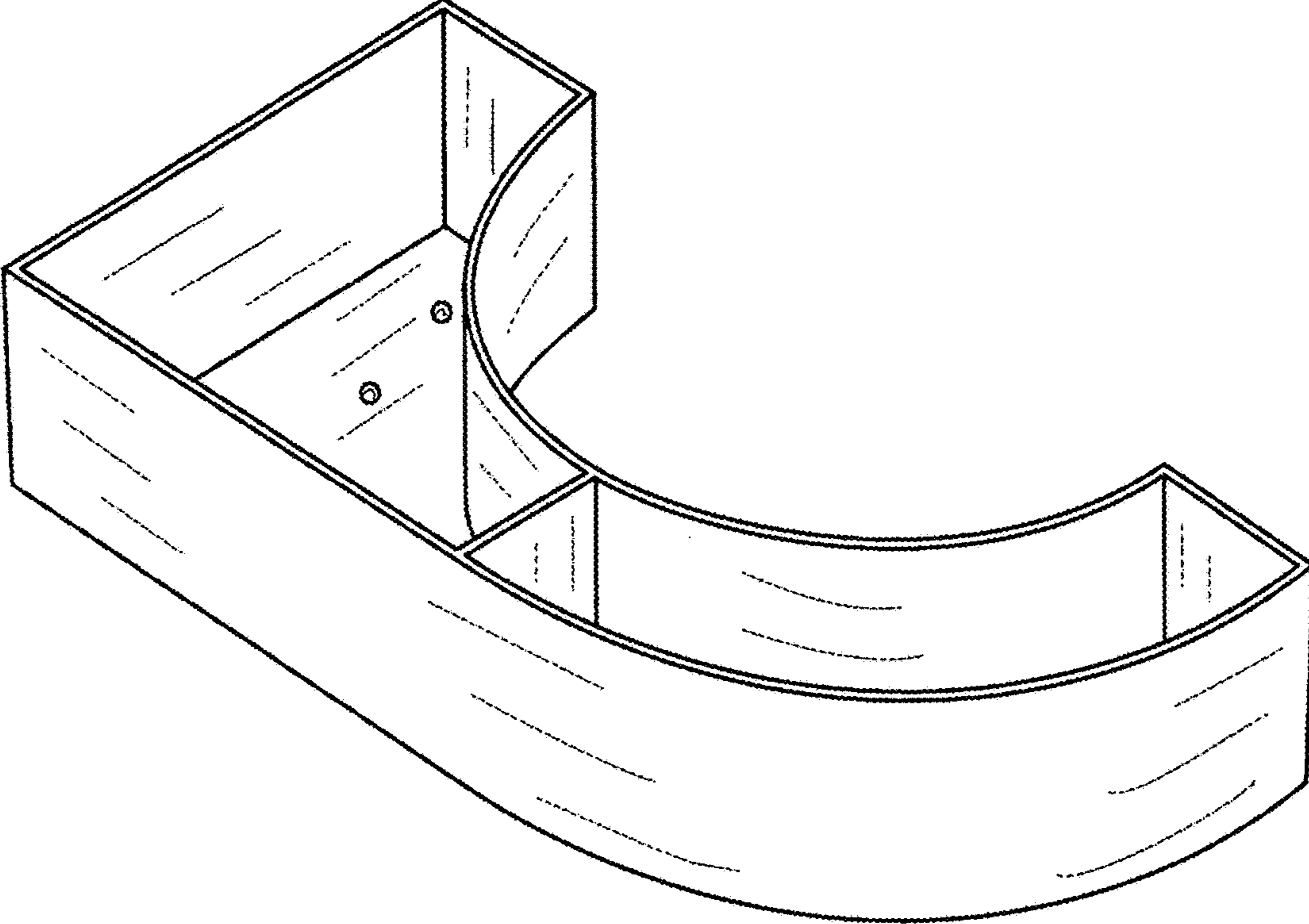


FIG. 1

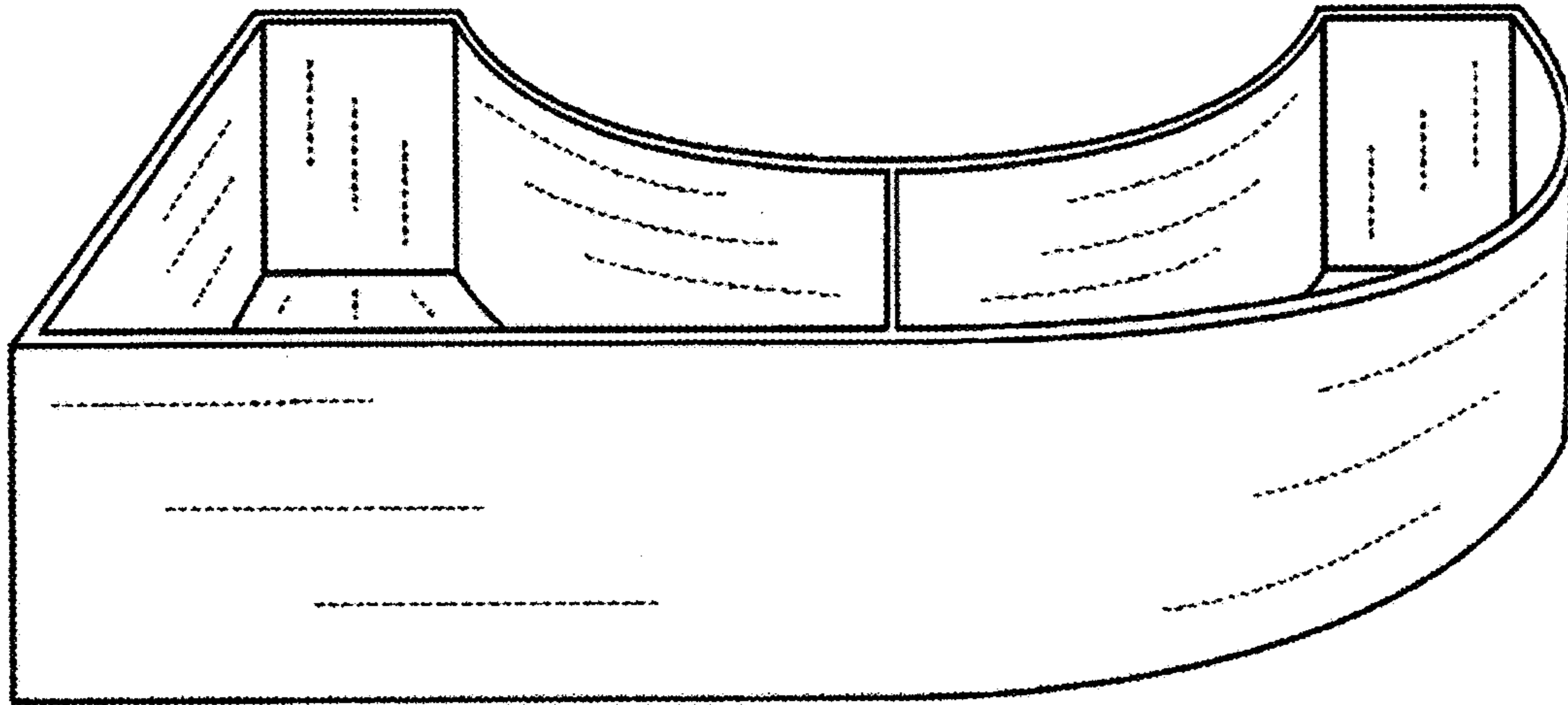


FIG. 2

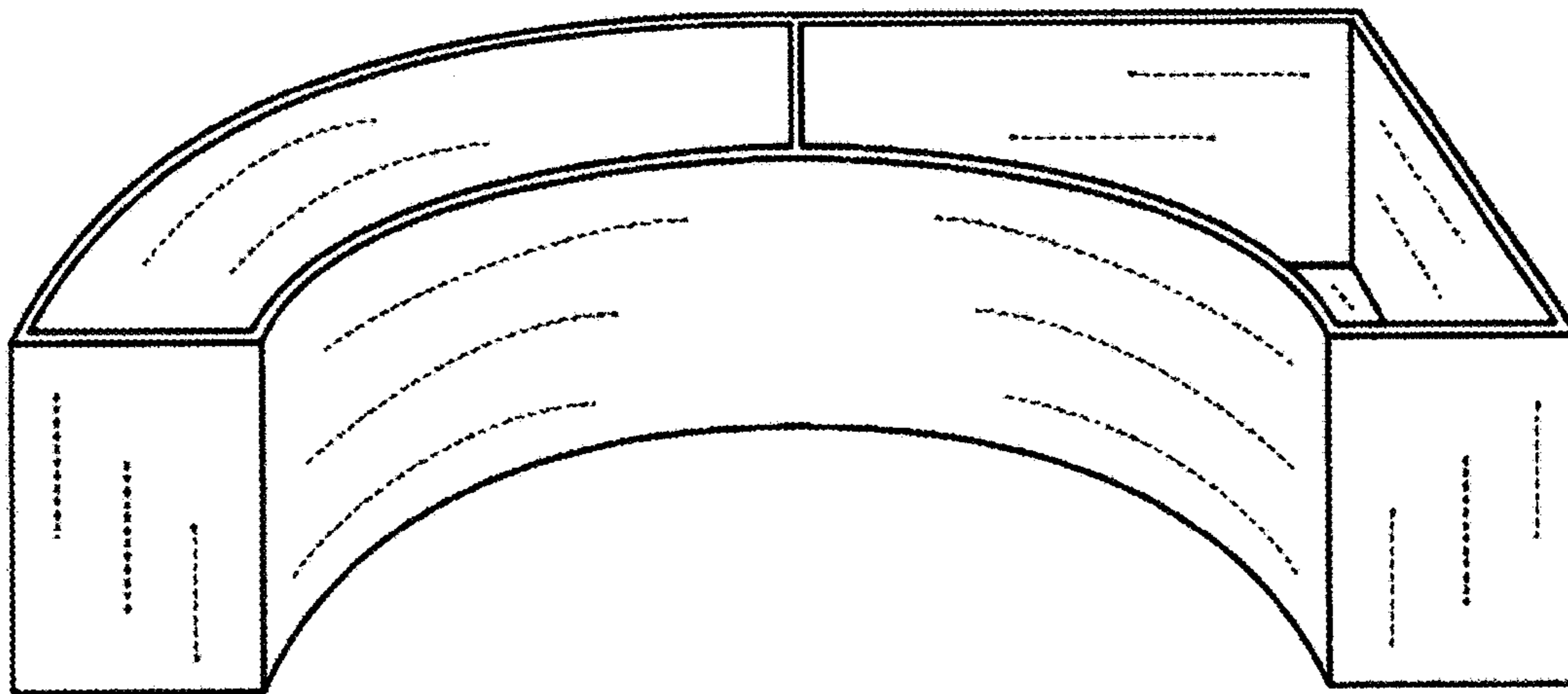


FIG. 3

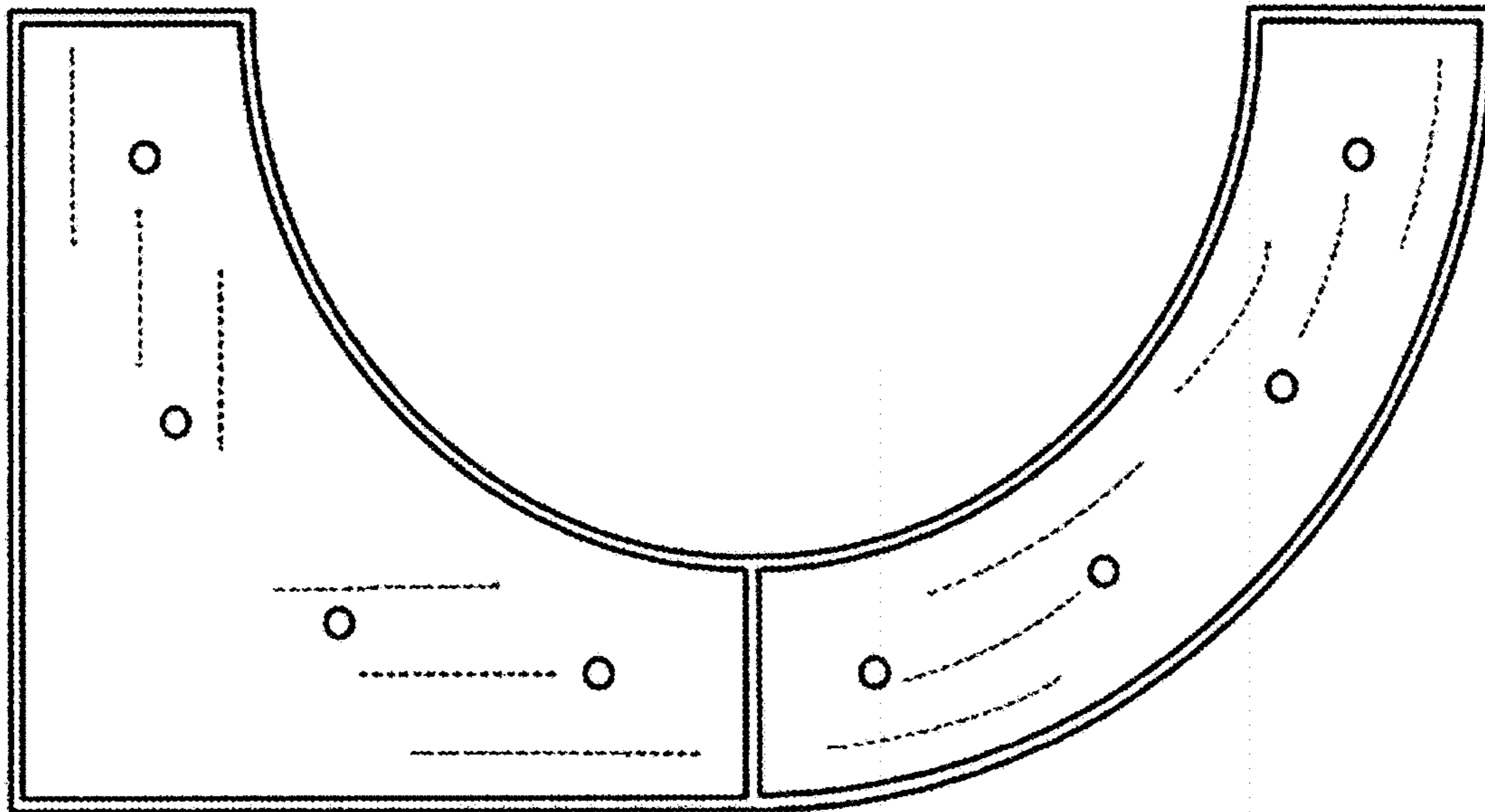


FIG. 4

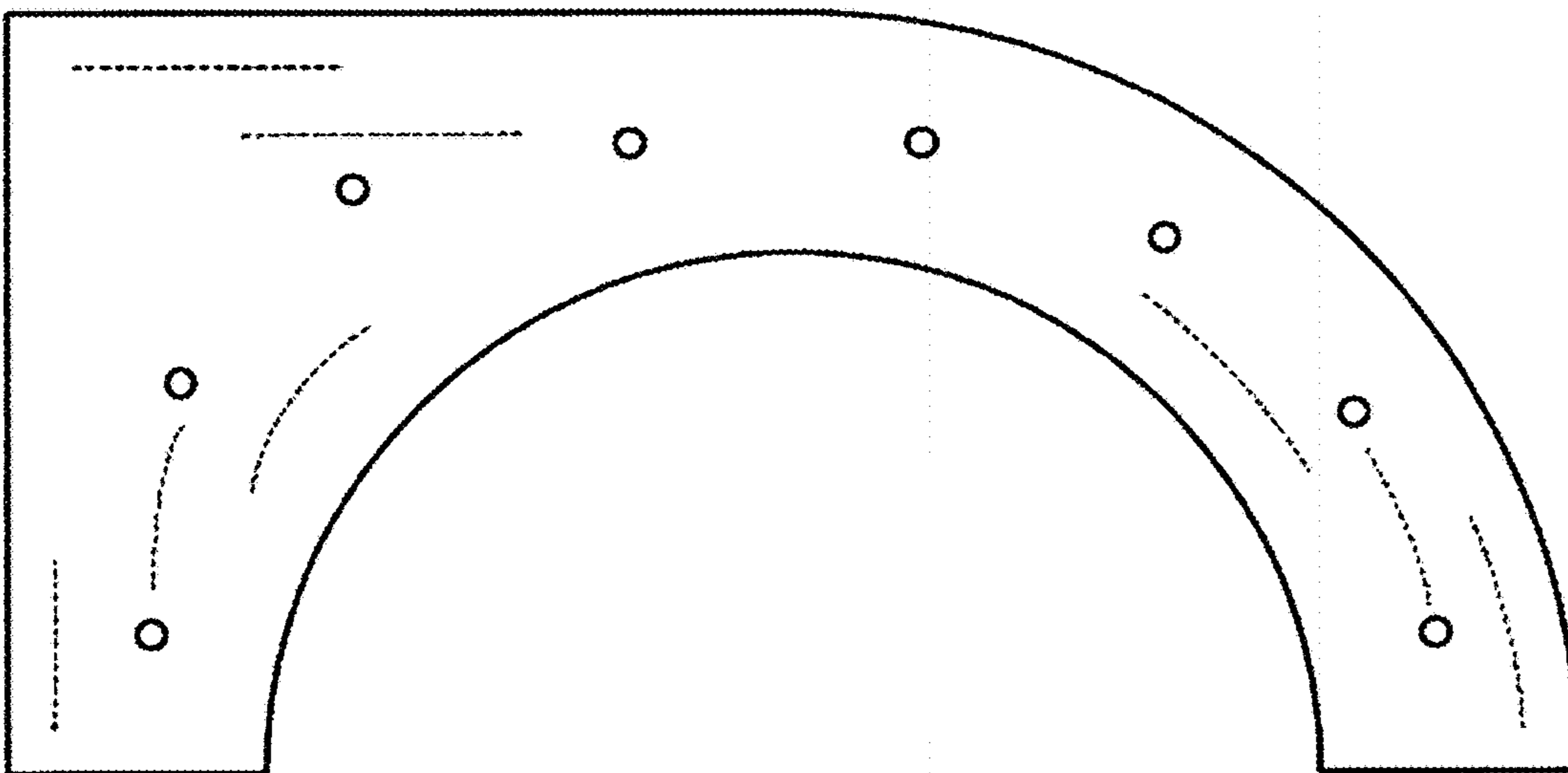


FIG. 5

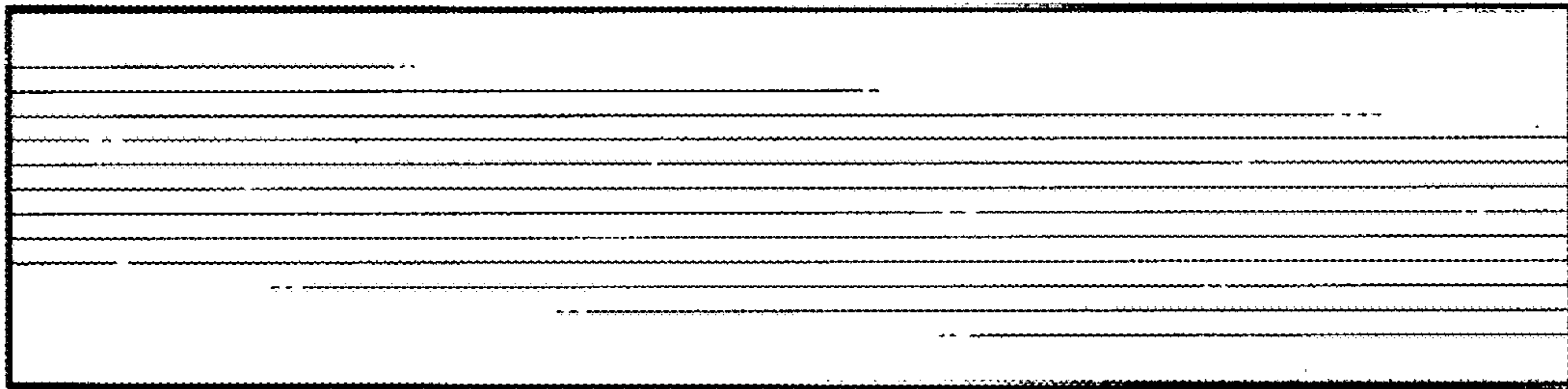


FIG. 6

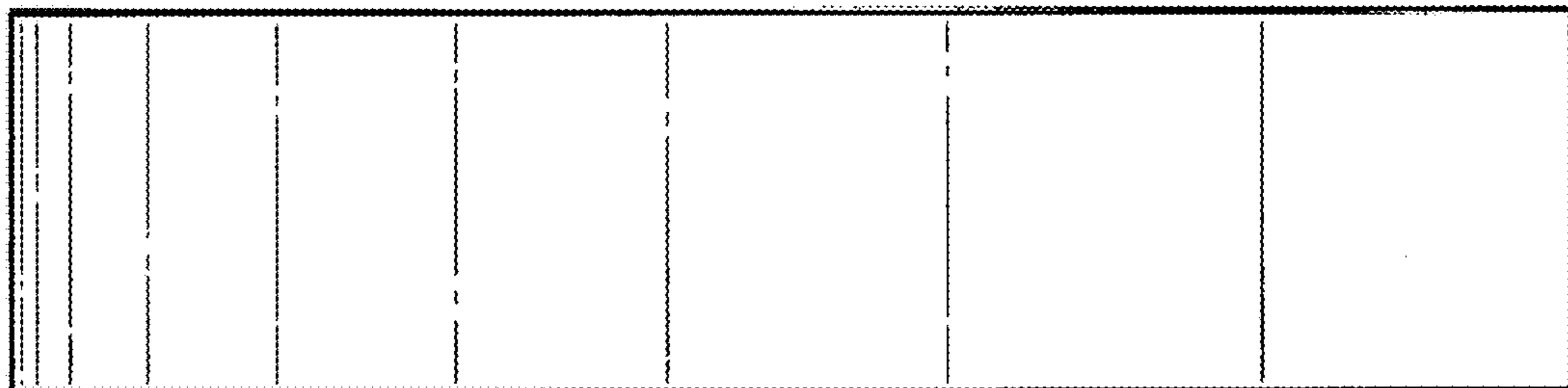


FIG. 7