



US00D775545S

(12) **United States Design Patent** (10) **Patent No.:** **US D775,545 S**
Weems et al. (45) **Date of Patent:** **** *Jan. 3, 2017**

(54) **LANYARD**

(71) Applicant: **Origami Owl LLC**, Chandler, AZ (US)

(72) Inventors: **Christian H. Weems**, Gilbert, AZ (US);
Tyson H. Basha, Chandler, AZ (US);
Zyad M. Kadri, Mesa, AZ (US);
David A. Tipp, Chandler, AZ (US)

(73) Assignee: **Origami Owl, LLC**, Chandler, AZ (US)

(*) Notice: This patent is subject to a terminal disclaimer.

(**) Term: **15 Years**

(21) Appl. No.: **29/555,956**

(22) Filed: **Feb. 25, 2016**

Related U.S. Application Data

(63) Continuation-in-part of application No. 29/515,486, filed on Jan. 23, 2015.

(51) **LOC (10) Cl.** **11-01**

(52) **U.S. Cl.**
USPC **D11/79; D11/91**

(58) **Field of Classification Search**
USPC D11/1-50, 66, 79-92, 95, 98, 157,
D11/198, 200, 201, 206, 215;
D8/394-396; D20/22; D30/150-153, 156
CPC . A44C 15/0035; A44C 15/005; A44C 15/002;
A44C 15/0025; A44C 15/003; A44C 9/00;
A44C 7/00; A44C 27/008; A44C

(Continued)

(56) **References Cited**

U.S. PATENT DOCUMENTS

462,358 A * 11/1891 Knowles A47G 25/485
211/89.01

D49,184 S * 6/1916 Helm D11/215

(Continued)

OTHER PUBLICATIONS

Origami Owl Locket, posted at locketsandcharms.com, earliest date available Aug. 11, 2014, [online], acquired on Mar. 1, 2016. Available from Internet, <URL: http://locketsandcharms.com/what-is-an-origami-owl-locket-ambassador-with-jennylou/>.*

(Continued)

Primary Examiner — Garth Rademaker

Assistant Examiner — Aula Soroush

(74) *Attorney, Agent, or Firm* — Fennemore Craig, P.C.

(57) **CLAIM**

The ornamental design for a lanyard, as shown and described.

DESCRIPTION

FIG. 1 is a front perspective view of a lanyard showing our new design;

FIG. 2 is another front perspective view thereof;

FIG. 3 is a front elevation view thereof;

FIG. 4 is another front elevation view thereof;

FIG. 5 is a rear elevation view thereof;

FIG. 6 is another rear elevation view thereof;

FIG. 7 is a right side elevation view thereof;

FIG. 8 is another right side elevation view thereof;

FIG. 9 is a left side elevation view thereof;

FIG. 10 is another left side elevation view thereof;

FIG. 11 is a top plan view thereof;

FIG. 12 is another top plan view thereof;

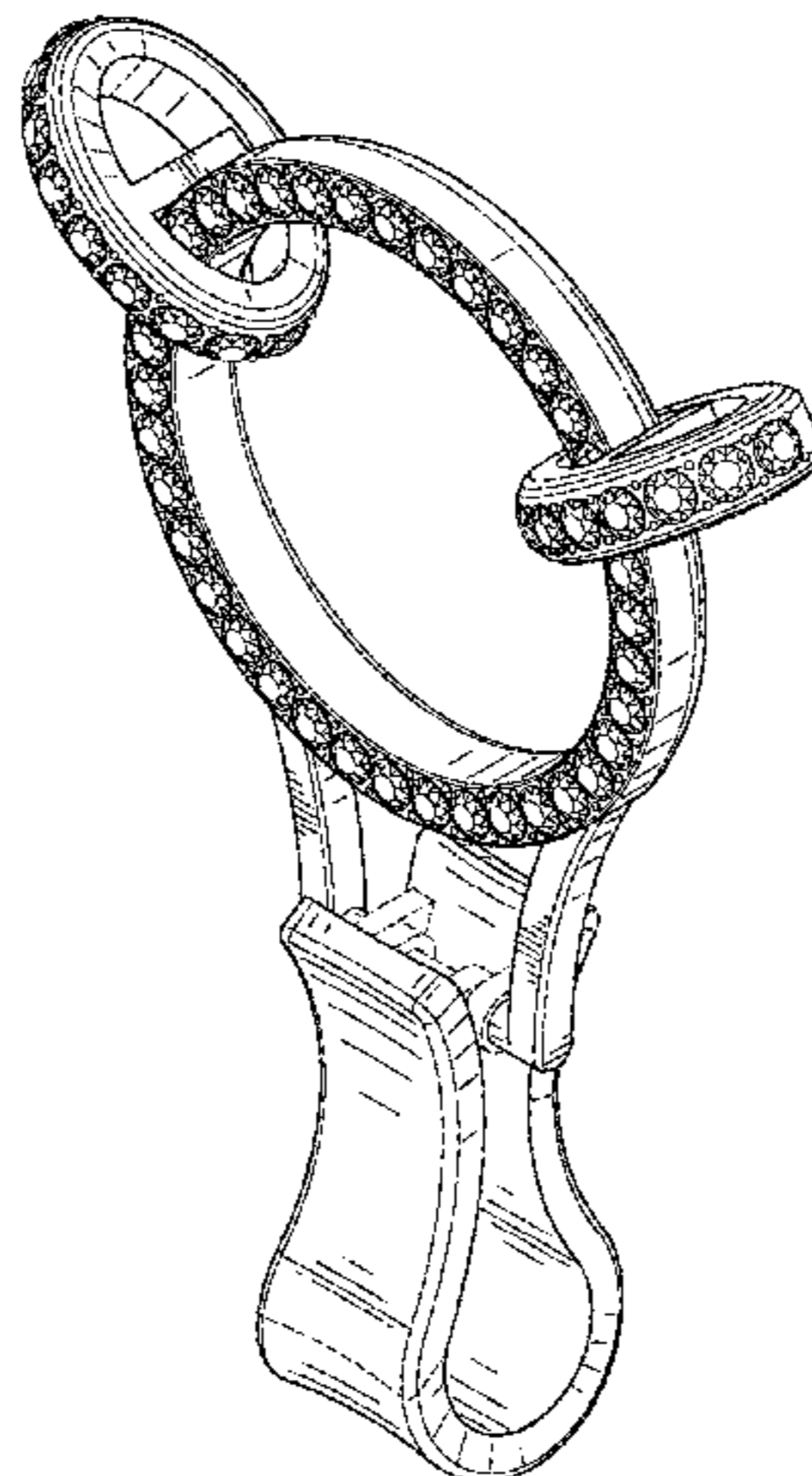
FIG. 13 is a bottom plan view thereof; and,

FIG. 14 is another bottom plan view thereof.

The bail elements of the lanyard have been shown in an alternate configuration between views.

The broken lines in the drawings illustrate portions of the lanyard and form no part of the claimed design.

1 Claim, 10 Drawing Sheets



(58) **Field of Classification Search**
CPC 3/001;A44C 25/001; A44C 25/002;
A45D 8/36; G09F 21/02
See application file for complete search history.

(56) **References Cited**

U.S. PATENT DOCUMENTS

D287,949 S * 1/1987 Bulgari D11/6
D385,415 S * 10/1997 Turbide D3/207
D392,583 S * 3/1998 Hoffman D11/7
5,842,256 A * 12/1998 Anscher A44B 99/00
24/170
D429,474 S * 8/2000 Stein D11/79
D473,156 S * 4/2003 Sloom D11/79
D620,785 S * 8/2010 St. Germaine D8/395
D621,606 S * 8/2010 Marquardt D3/215
D625,214 S * 10/2010 Lebail D11/3
D634,232 S * 3/2011 Kelly D11/3

D676,618 S * 2/2013 Kalbach D30/152
D677,188 S * 3/2013 Kalbach D11/3
D677,189 S * 3/2013 Kalbach D11/3
D682,488 S * 5/2013 Kalbach D30/152
D699,147 S * 2/2014 Fissell D11/95
D722,519 S * 2/2015 Marchand D11/44
D725,537 S * 3/2015 Wellendorff D11/79
D737,132 S * 8/2015 Garcia D8/395

OTHER PUBLICATIONS

Silver Eternity Lanyard With Swarovski Crystals, posted at origamiowl.com, earliest date available May 13, 2015, [online], acquired on Mar. 1, 2016. Available from Internet, <URL: <https://www.origamiowl.com/product/41/CN5030/SilverEternityLanyardwithSwarovskiCrystals>>.*

* cited by examiner

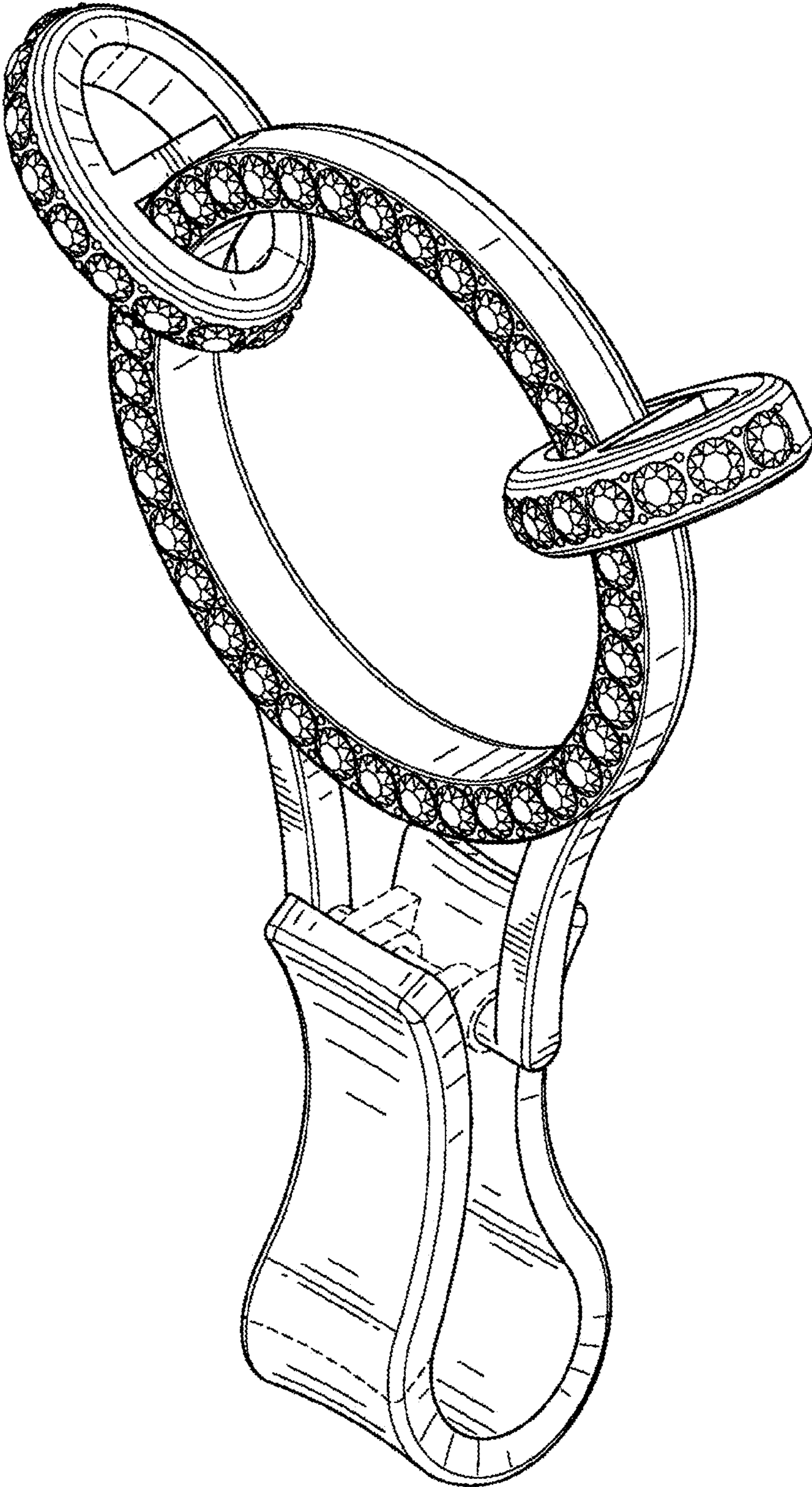


FIG. 1

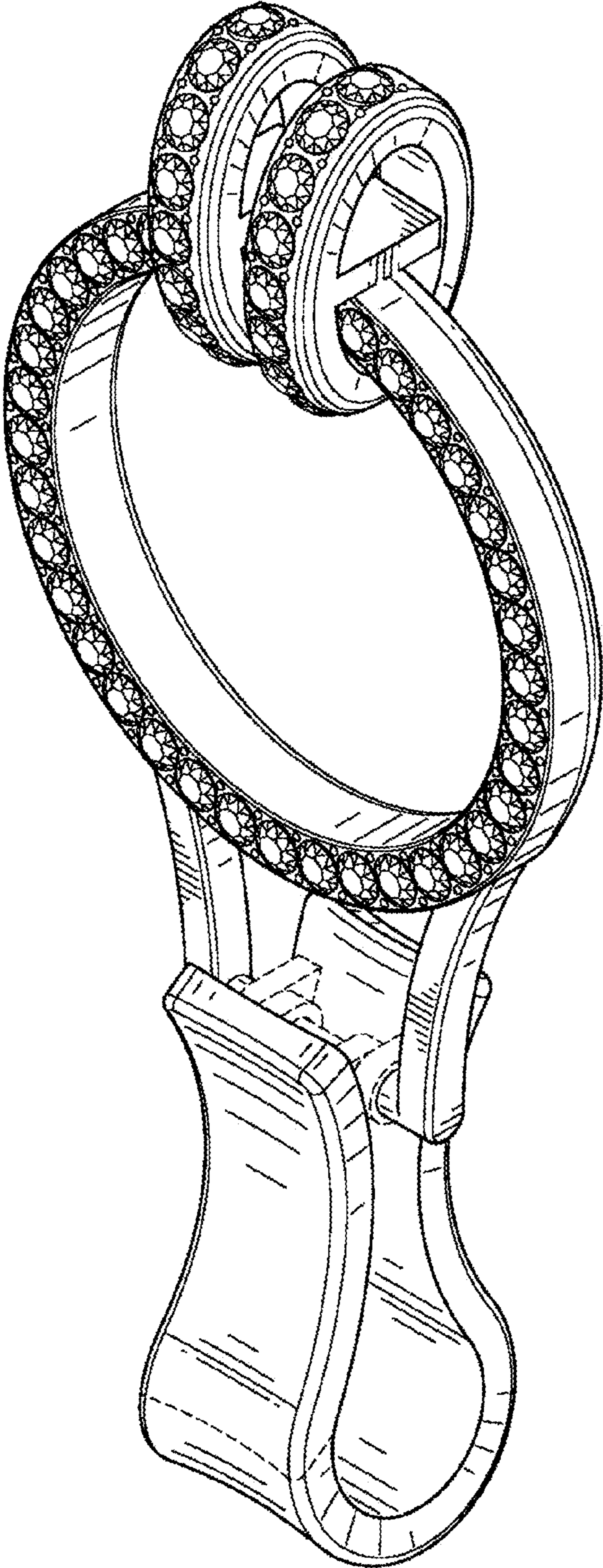


FIG. 2

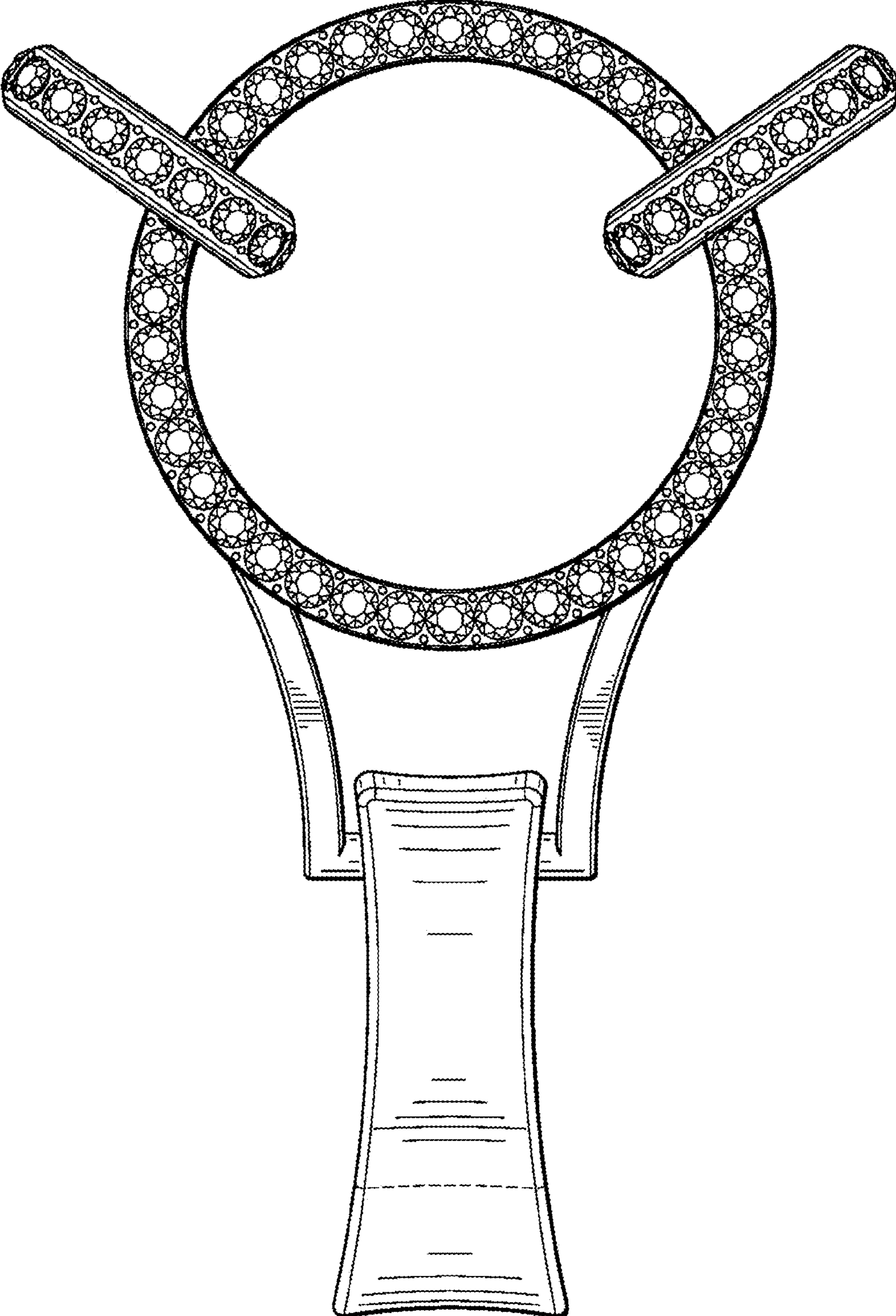


FIG. 3

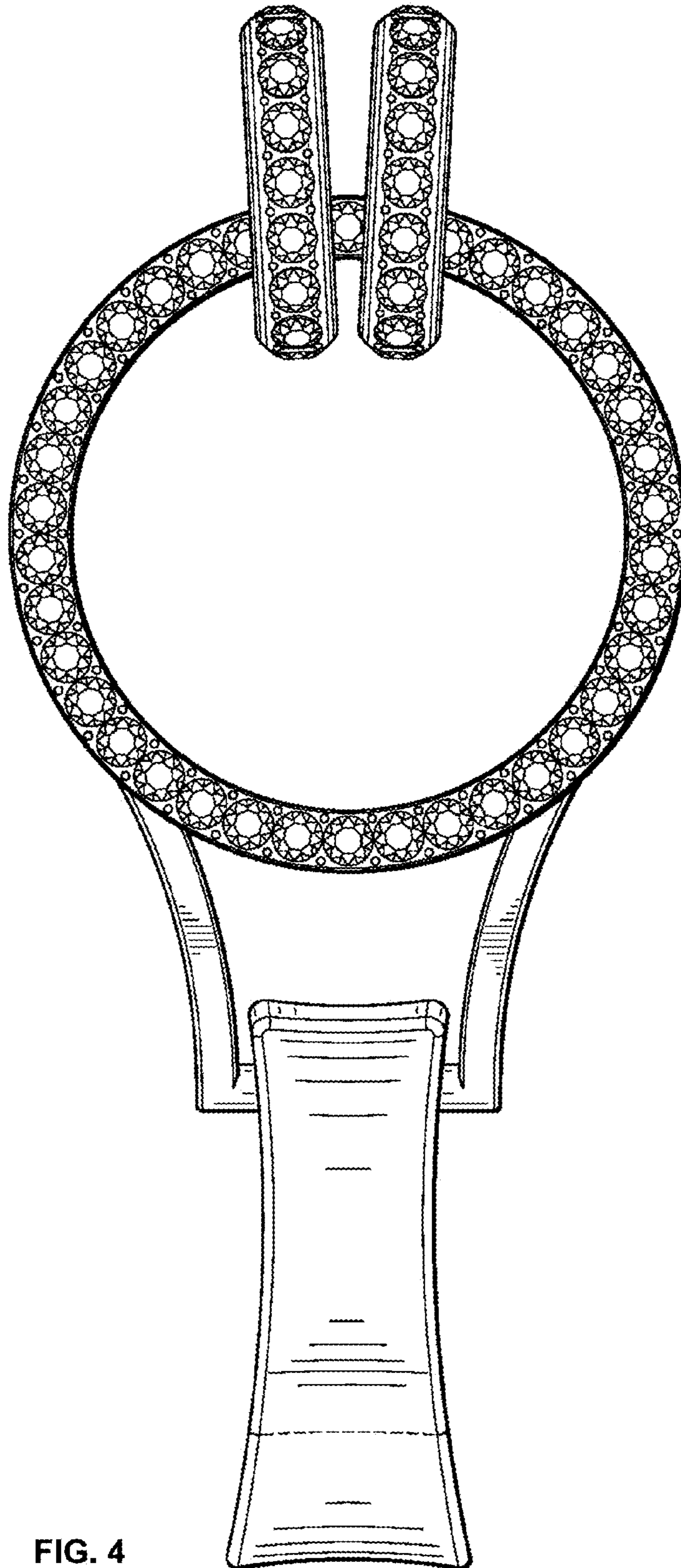


FIG. 4

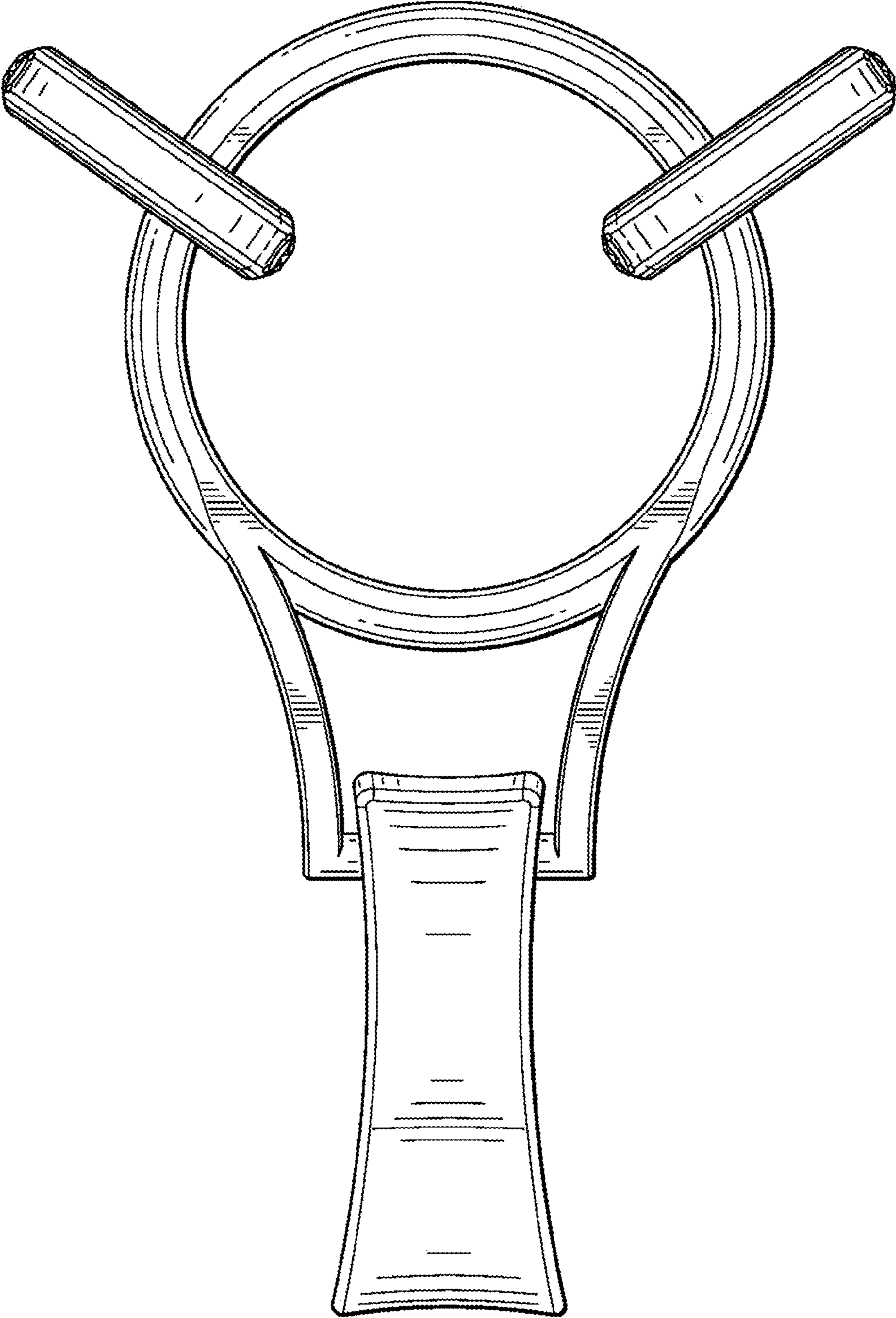


FIG. 5

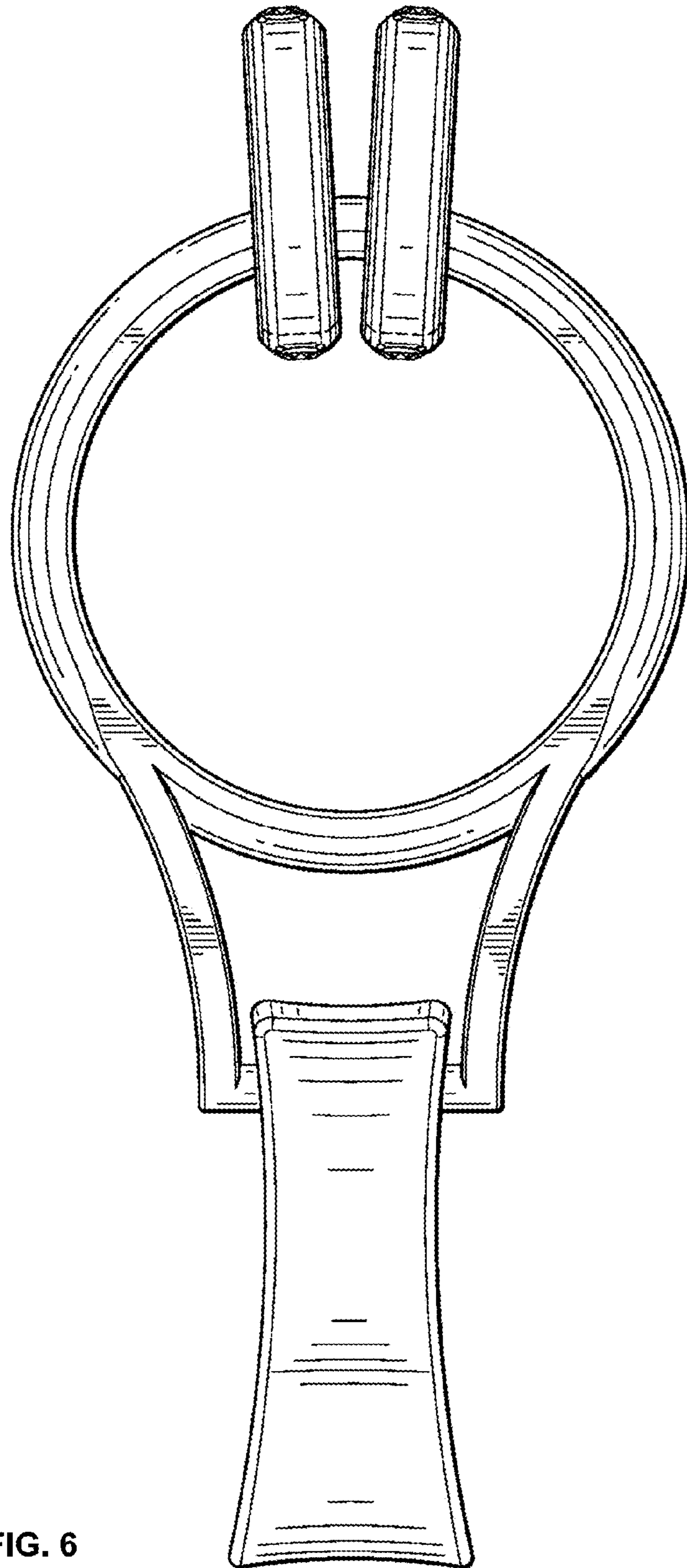


FIG. 6

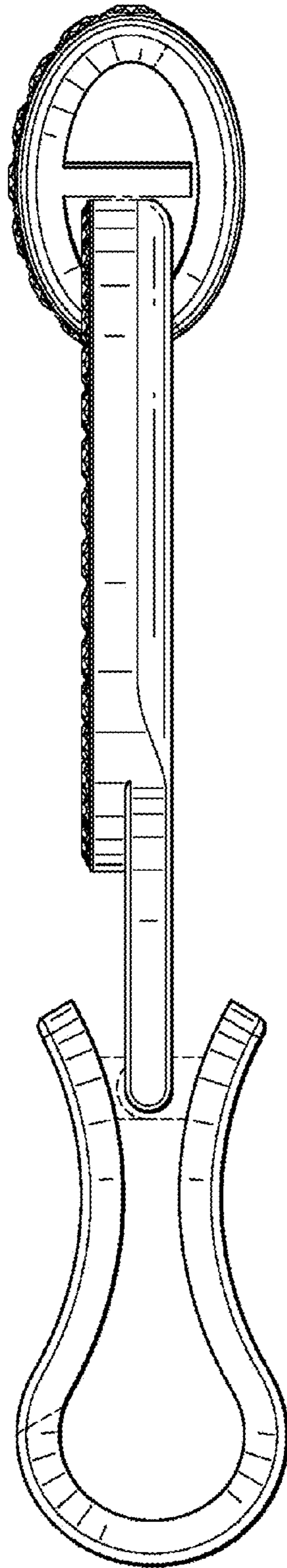


FIG. 7

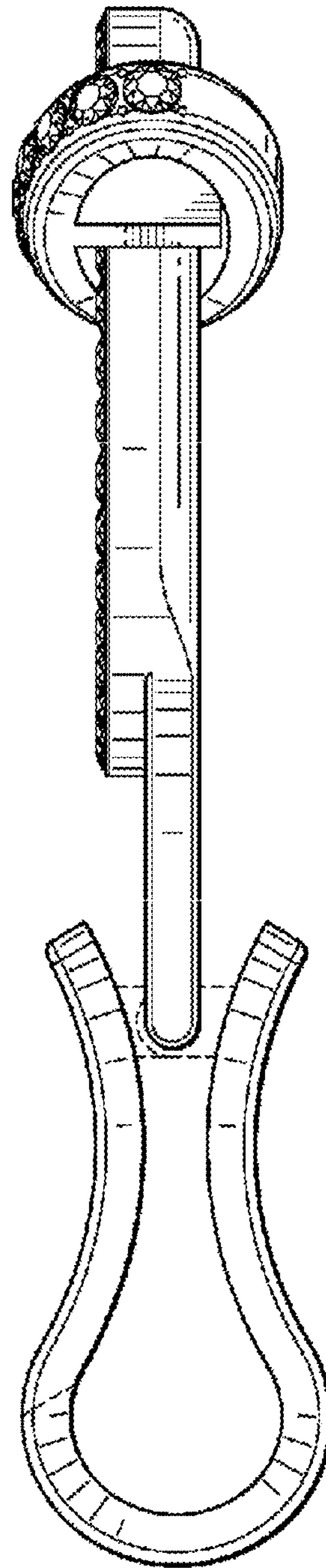


FIG. 8

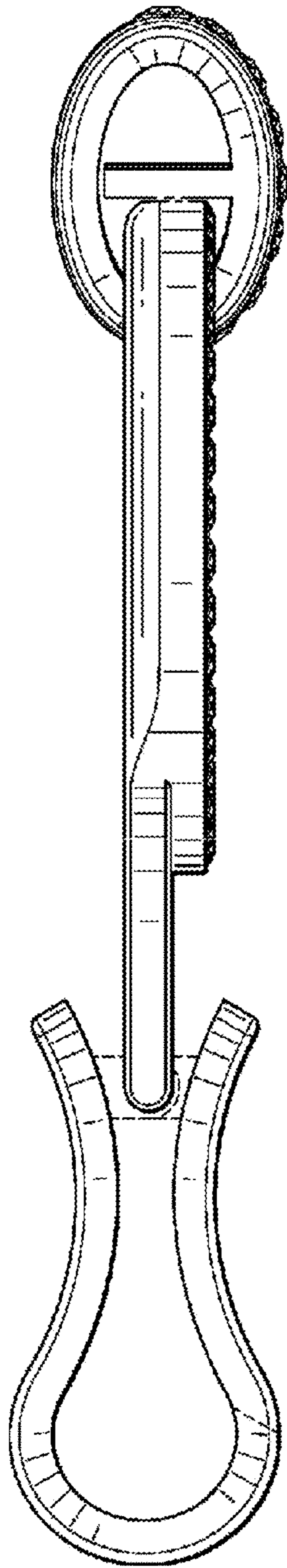


FIG. 9

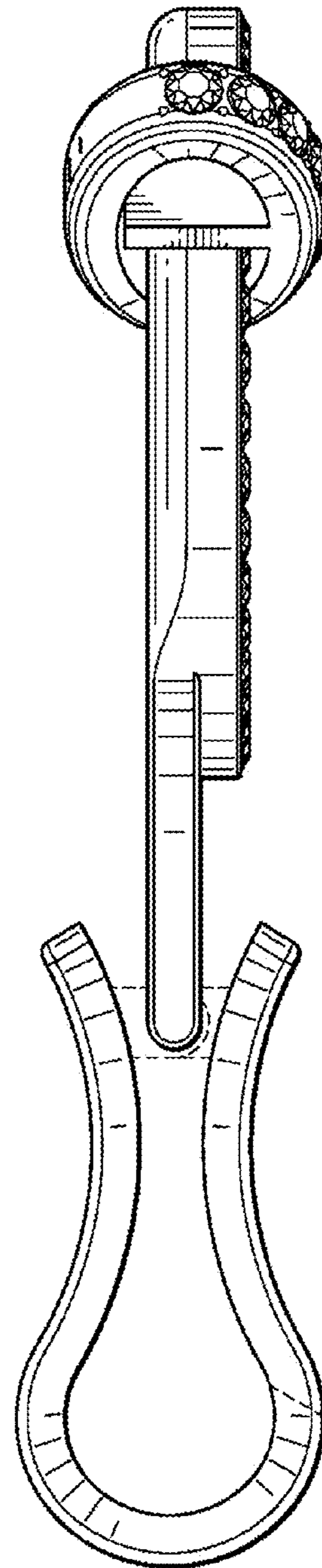


FIG. 10

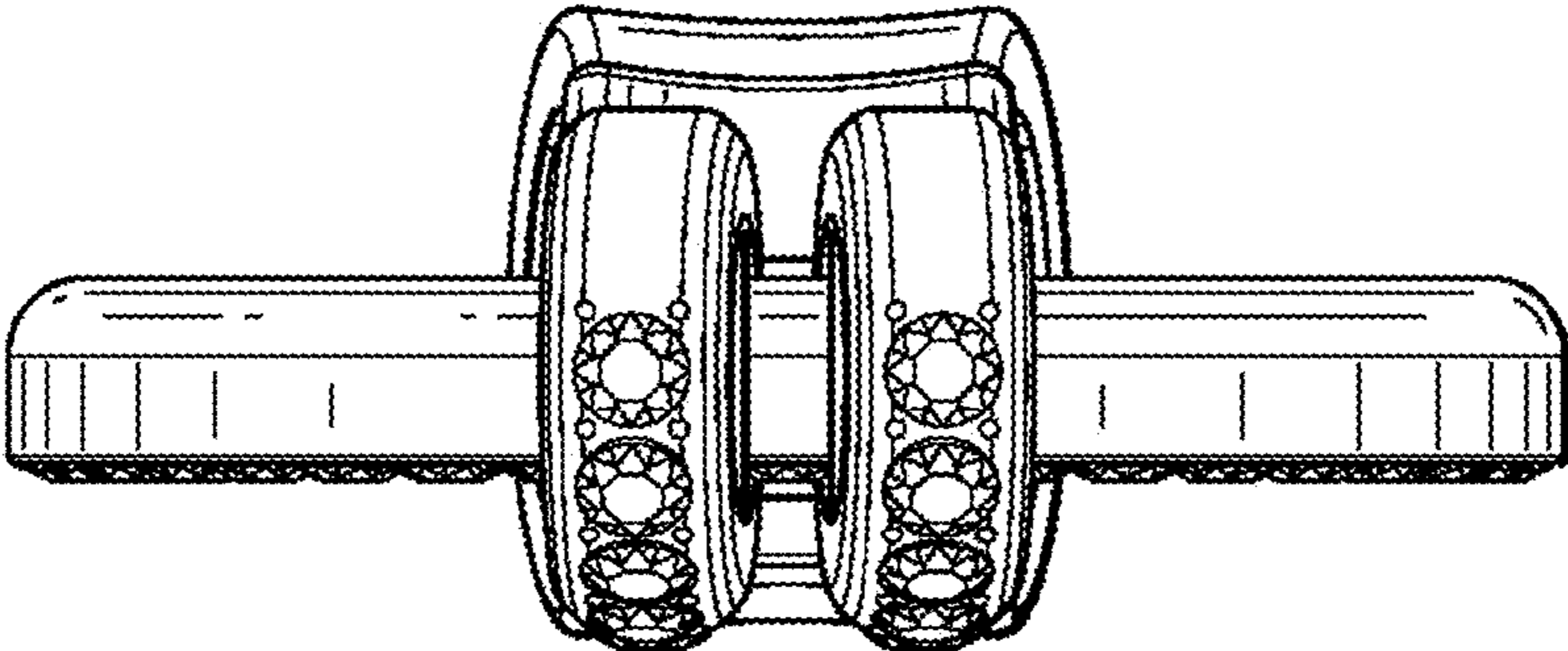


FIG. 11

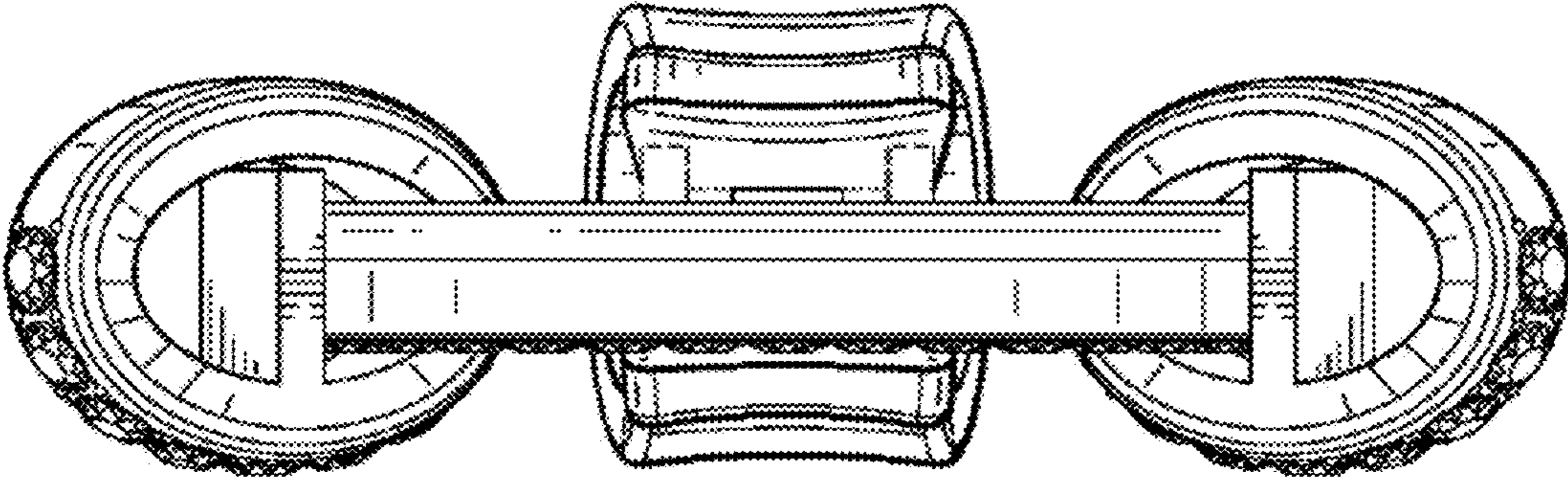


FIG. 12

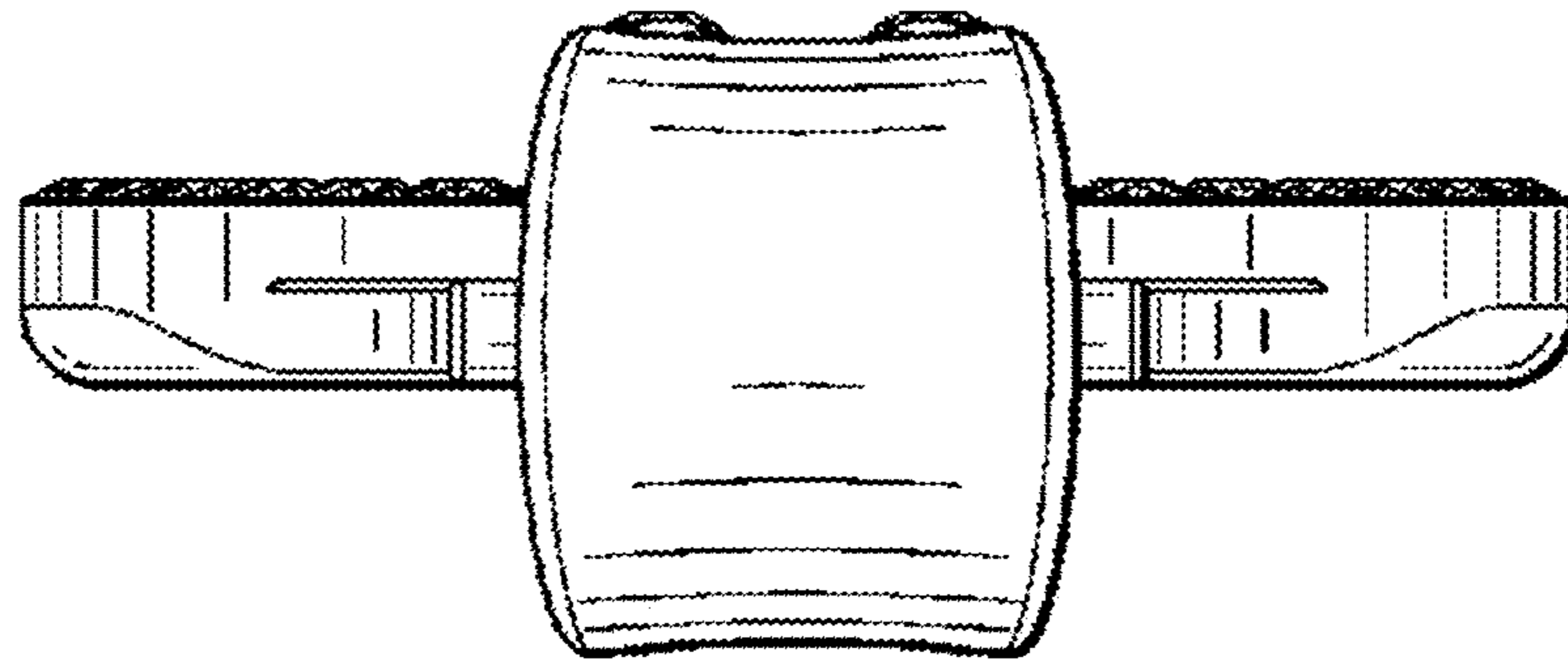


FIG. 13

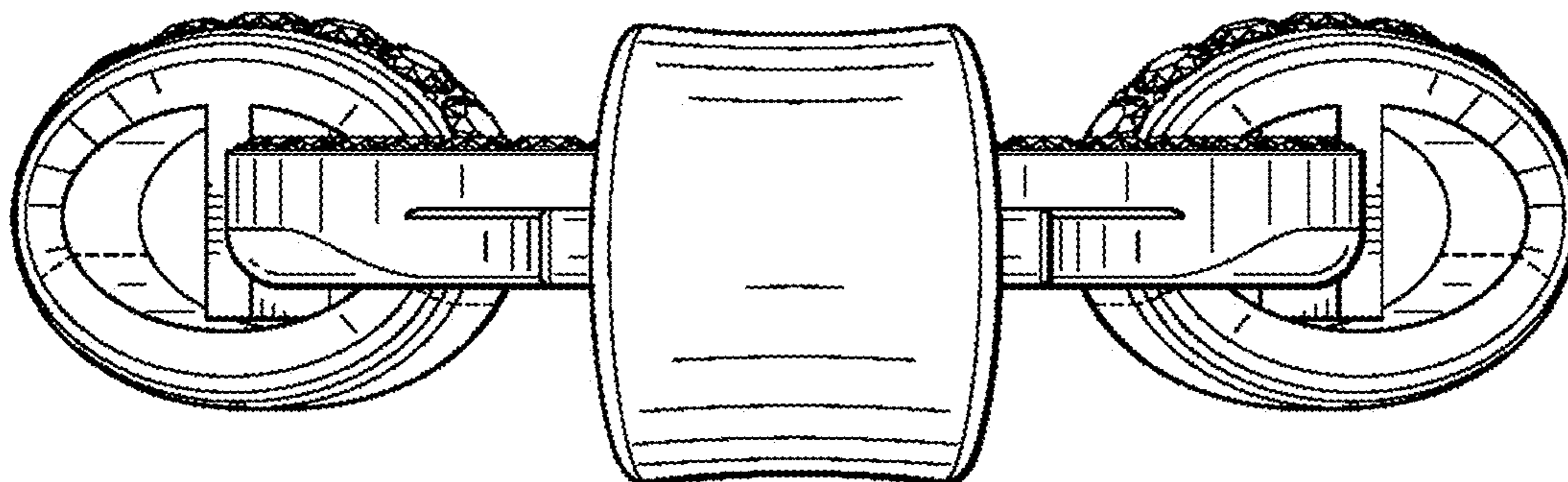


FIG. 14