



US00D775543S

(12) **United States Design Patent**  
**Zäh**

(10) **Patent No.:** **US D775,543 S**  
(45) **Date of Patent:** **\*\* Jan. 3, 2017**

(54) **BRACELET**  
(71) Applicant: **SWATCH LTD**, Biel/Bienne (CH)  
(72) Inventor: **Matthias Zäh**, Adliswil (CH)  
(73) Assignee: **SWATCH LTD**, Biel/Bienne (CH)  
(\*\*) Term: **15 Years**

D487,844 S \* 3/2004 Nichols ..... D3/215  
D576,792 S \* 9/2008 Wagner, II ..... D3/226  
D674,808 S \* 1/2013 Axelrod ..... D11/3  
D703,069 S \* 4/2014 Adams ..... D10/31  
D734,329 S \* 7/2015 Lee ..... D14/344  
D753,654 S \* 4/2016 Eastwood ..... D11/4  
D762,375 S \* 8/2016 Duarte ..... D11/5  
2002/0101788 A1\* 8/2002 Petsch ..... A44C 5/24  
368/281  
2005/0242137 A1\* 11/2005 Fishman ..... A44C 5/003  
224/219

(21) Appl. No.: **29/537,200**

(Continued)

(22) Filed: **Aug. 24, 2015**

**OTHER PUBLICATIONS**

(30) **Foreign Application Priority Data**

Feb. 23, 2015 (WO) ..... DM/085694

Swatch Introduces A Smartwatch: Touch Zero One (For Volleyball), A Blog to Watch, published on Feb. 26, 2015, online. Visited on Sep. 26, 2016. Internet URL:<"http://www.ablogtowatch.com/swatch-smartwatch-touch-zero-one-volleyball">.\*

(51) **LOC (10) Cl.** ..... **11-01**

(52) **U.S. Cl.**  
USPC ..... **D11/3**

*Primary Examiner* — Cynthia Ramirez

*Assistant Examiner* — Llorellys Martinez-Rivera

(58) **Field of Classification Search**

USPC ..... D11/1-48, 75-79, 86; D10/31-32;  
D14/344; 368/281-282

(74) *Attorney, Agent, or Firm* — Donald J. Ranft; Collen IP

CPC . A44C 15/005; A44C 15/0015; A44C 15/001;  
A44C 15/0035; A44C 25/001; A44C  
25/00; A44C 25/005; A44C 5/00; A44C  
5/0015; A44C 5/0007; A44C  
5/0084; A44C 5/12; A44C 5/14; A44C  
5/2066; A44C 5/2076; A44C 13/00; A44C  
11/002; A44C 9/00; A44C 9/003; A44C  
9/0046; A44C 17/0233; A44C  
17/04; A44C 27/006; A44C 7/00; A44C  
7/002; A44C 23/00; A44D 2205/00  
See application file for complete search history.

(57) **CLAIM**

The ornamental design for a bracelet, as shown.

(56) **References Cited**

**U.S. PATENT DOCUMENTS**

2,101,690 A \* 12/1937 Sauer, Jr. .... G04B 37/005  
D11/3  
3,800,525 A \* 4/1974 Bergey ..... G04B 27/00  
368/287

**DESCRIPTION**

FIG. 1 is a front right perspective view of a bracelet showing my new design;

FIG. 2 is a front left perspective view thereof;

FIG. 3 is a rear right perspective view thereof;

FIG. 4 is a rear left perspective view thereof;

FIG. 5 is a front view thereof;

FIG. 6 is a rear view thereof;

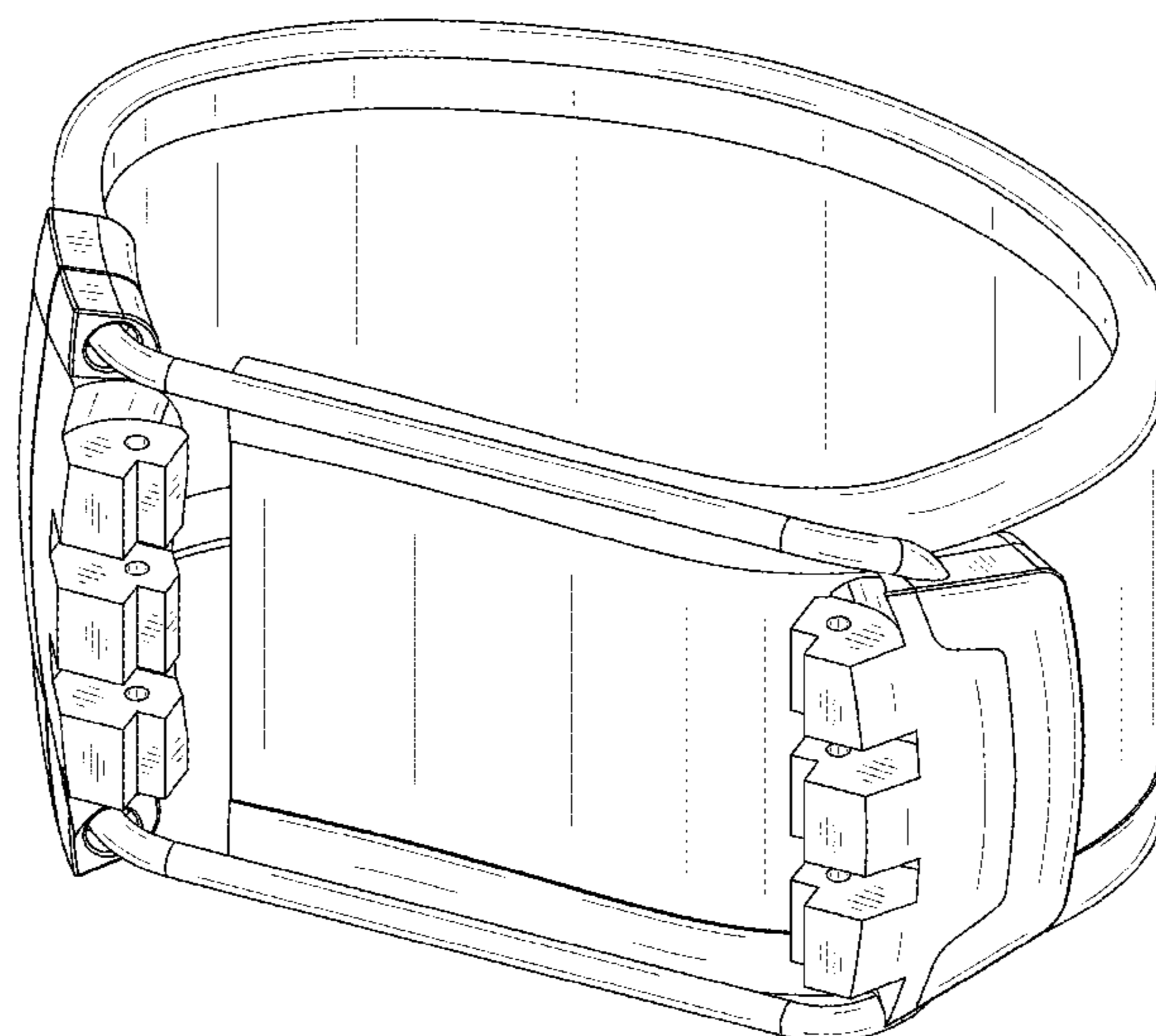
FIG. 7 is a left side view thereof;

FIG. 8 is a right side view thereof;

FIG. 9 is a top view thereof; and,

FIG. 10 is a bottom view thereof.

**1 Claim, 7 Drawing Sheets**



(56)

**References Cited**

U.S. PATENT DOCUMENTS

2016/0242516 A1\* 8/2016 Lepore ..... A44C 5/14

\* cited by examiner

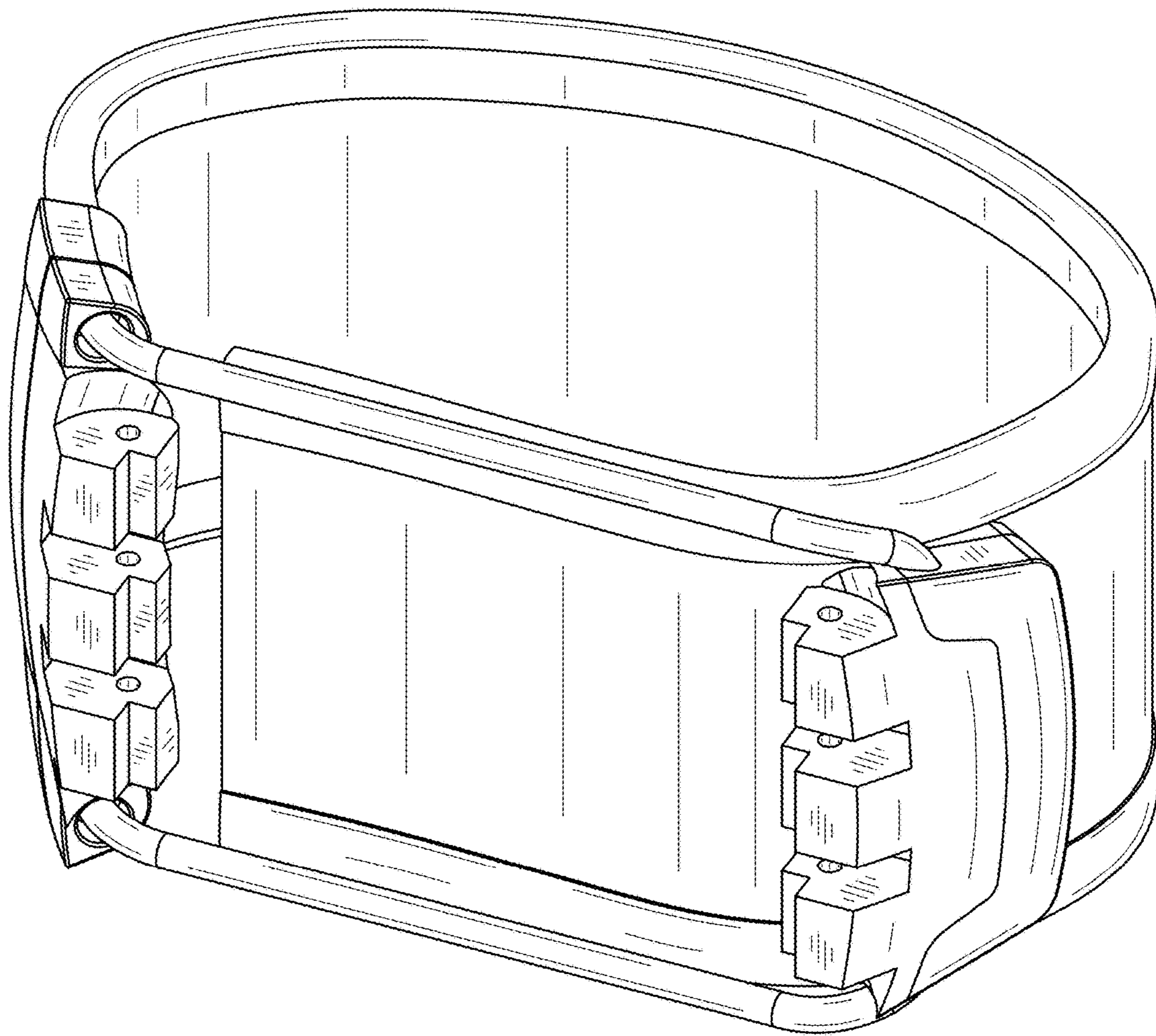


FIG. 1

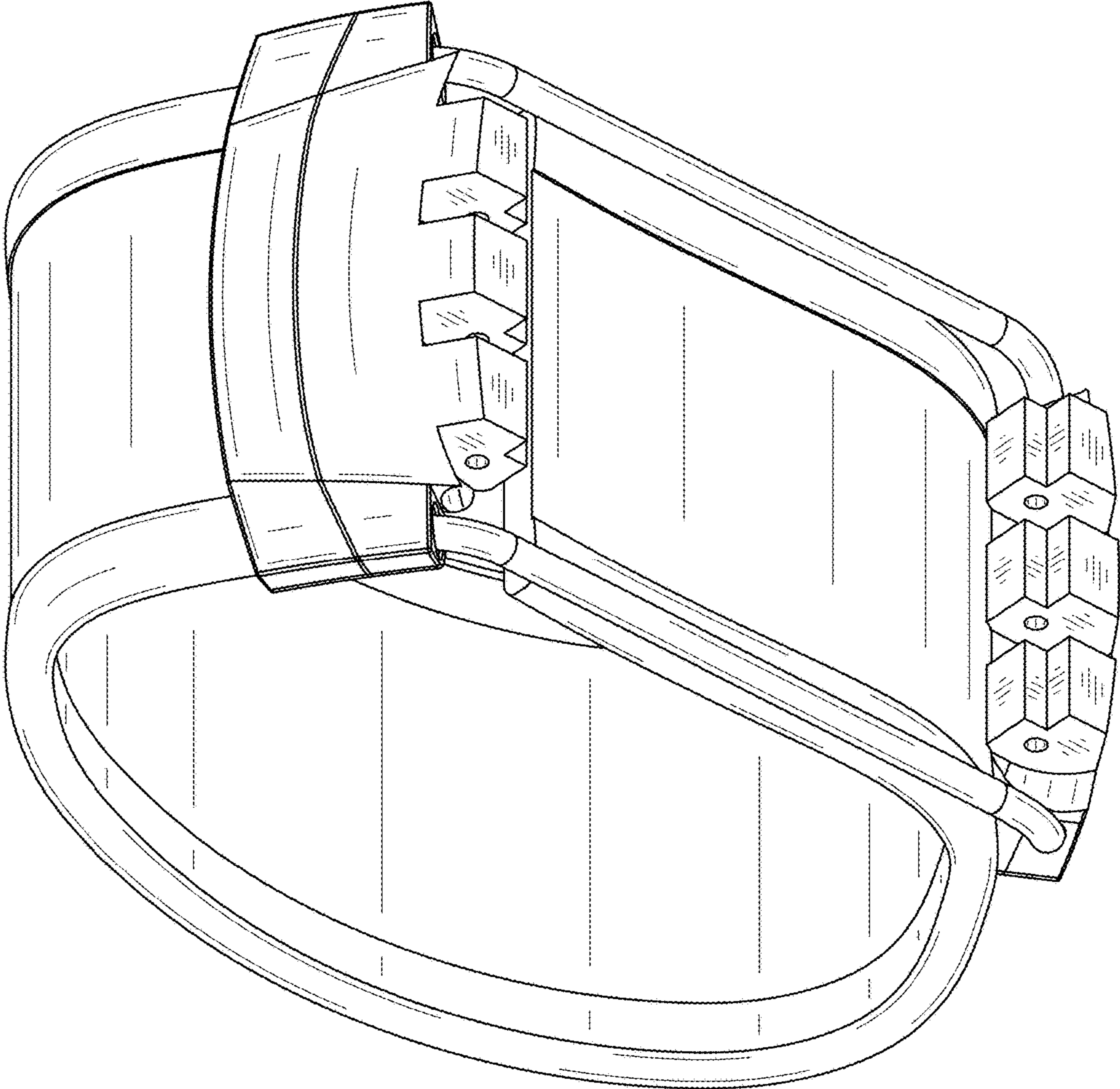


FIG. 2

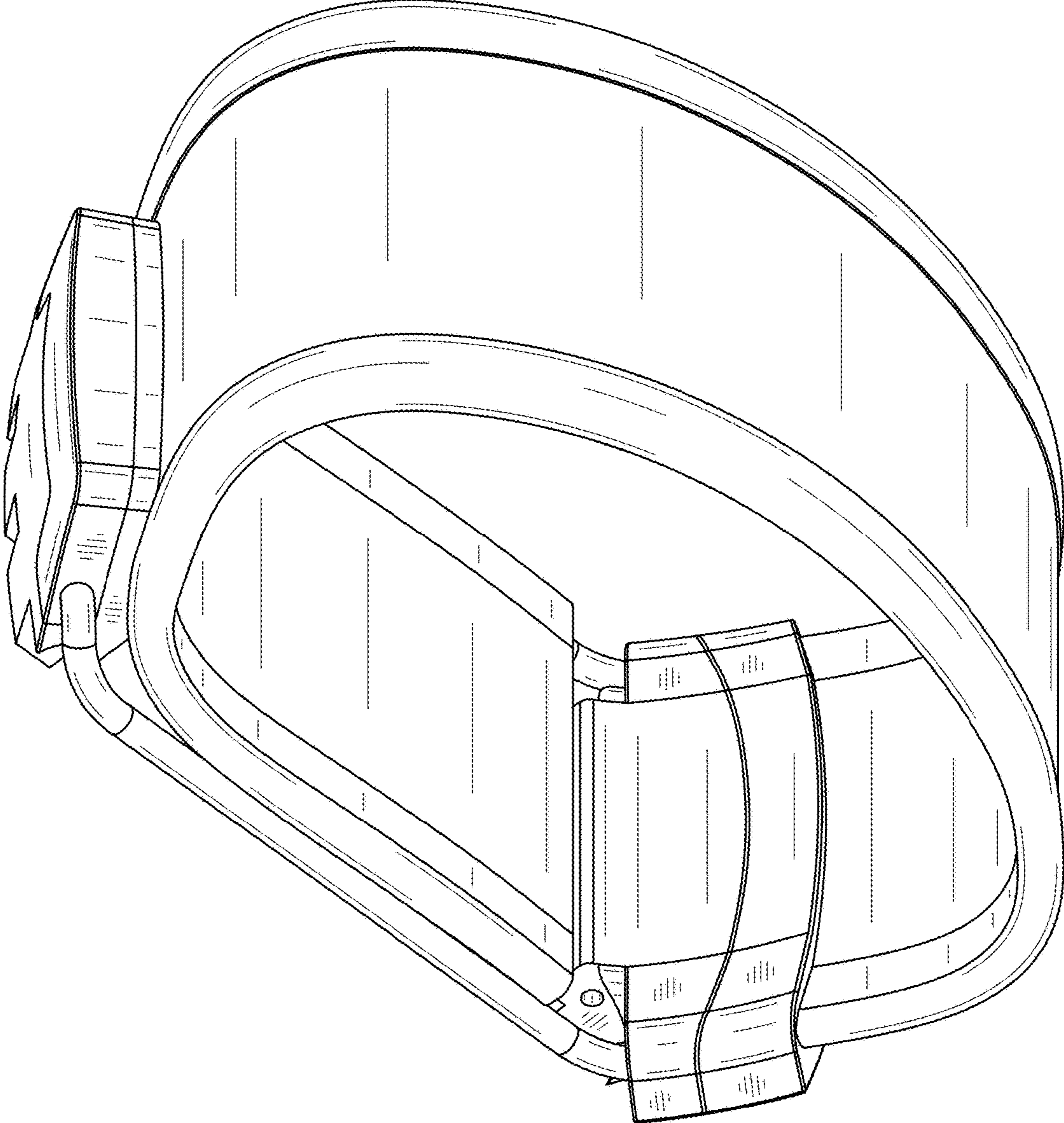


FIG. 3

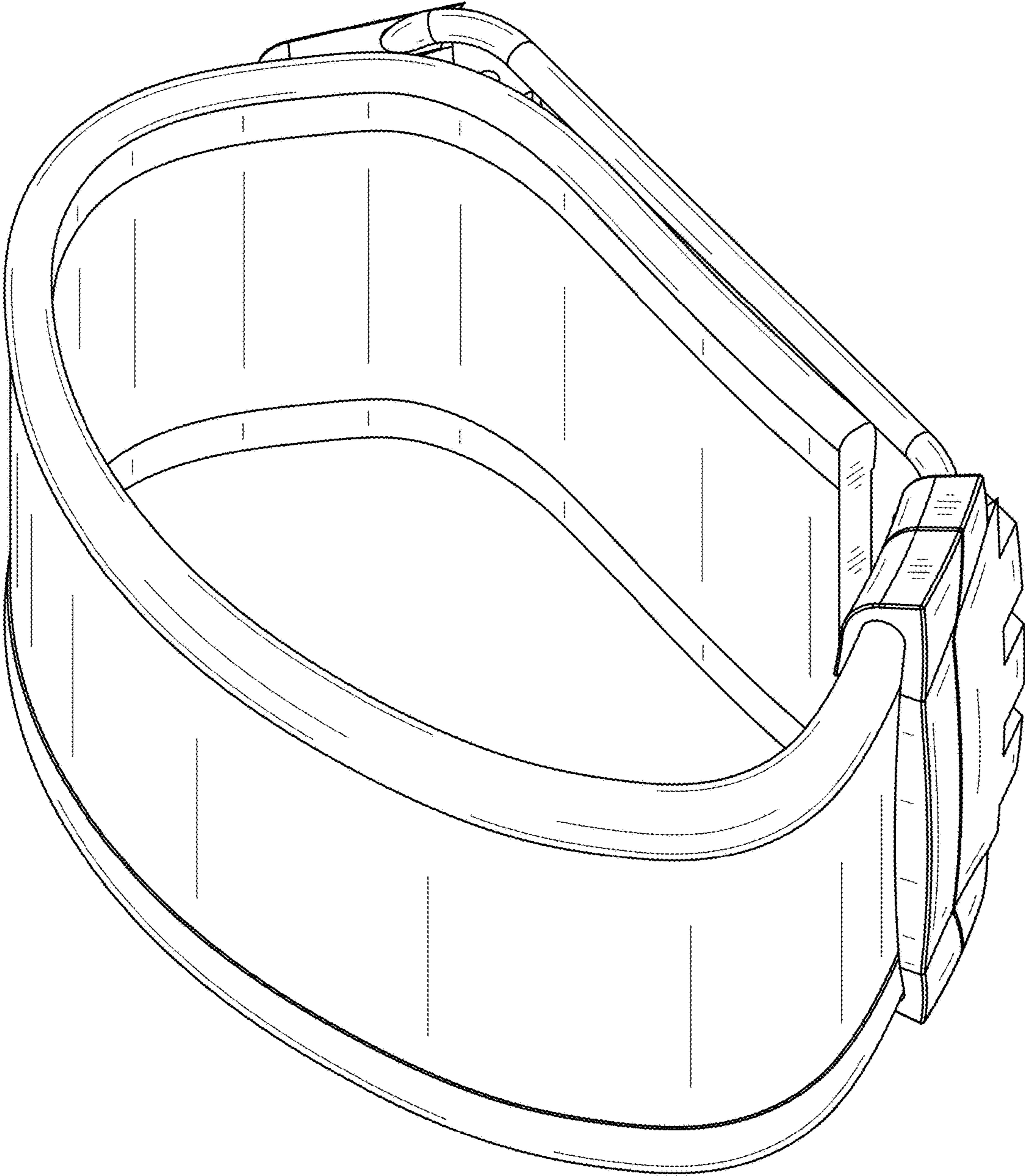


FIG. 4

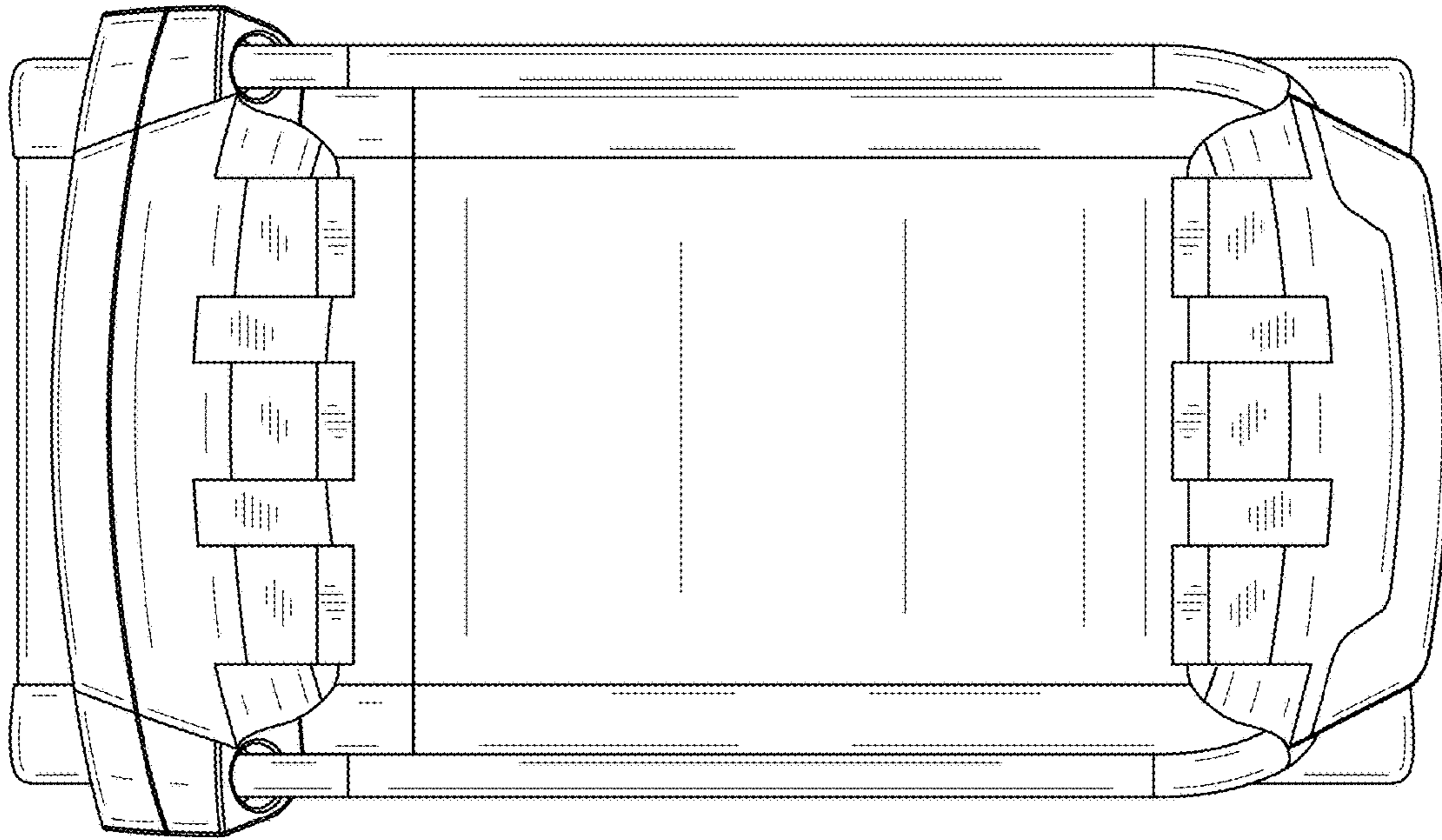


FIG. 5

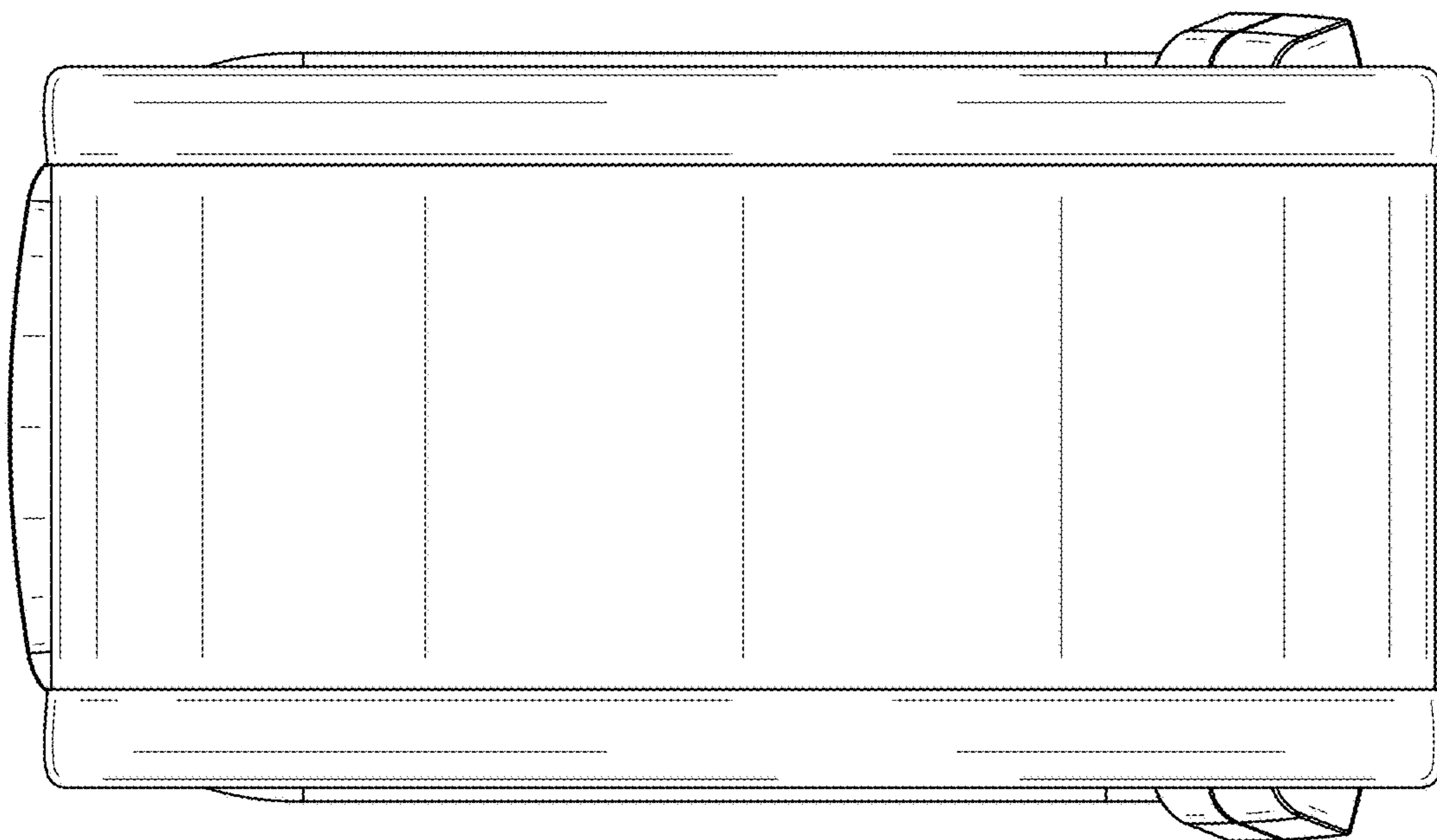


FIG. 6

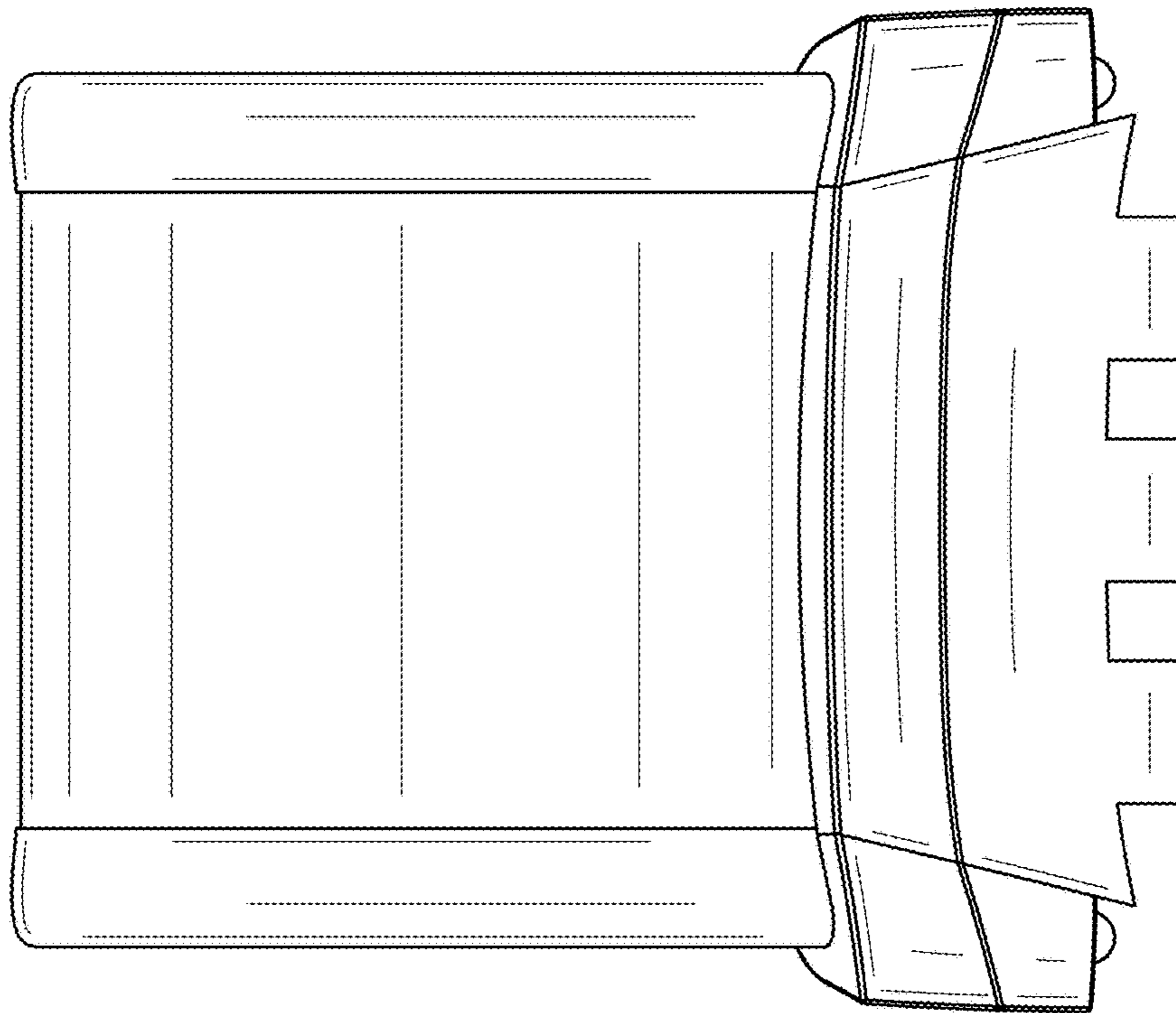


FIG. 7

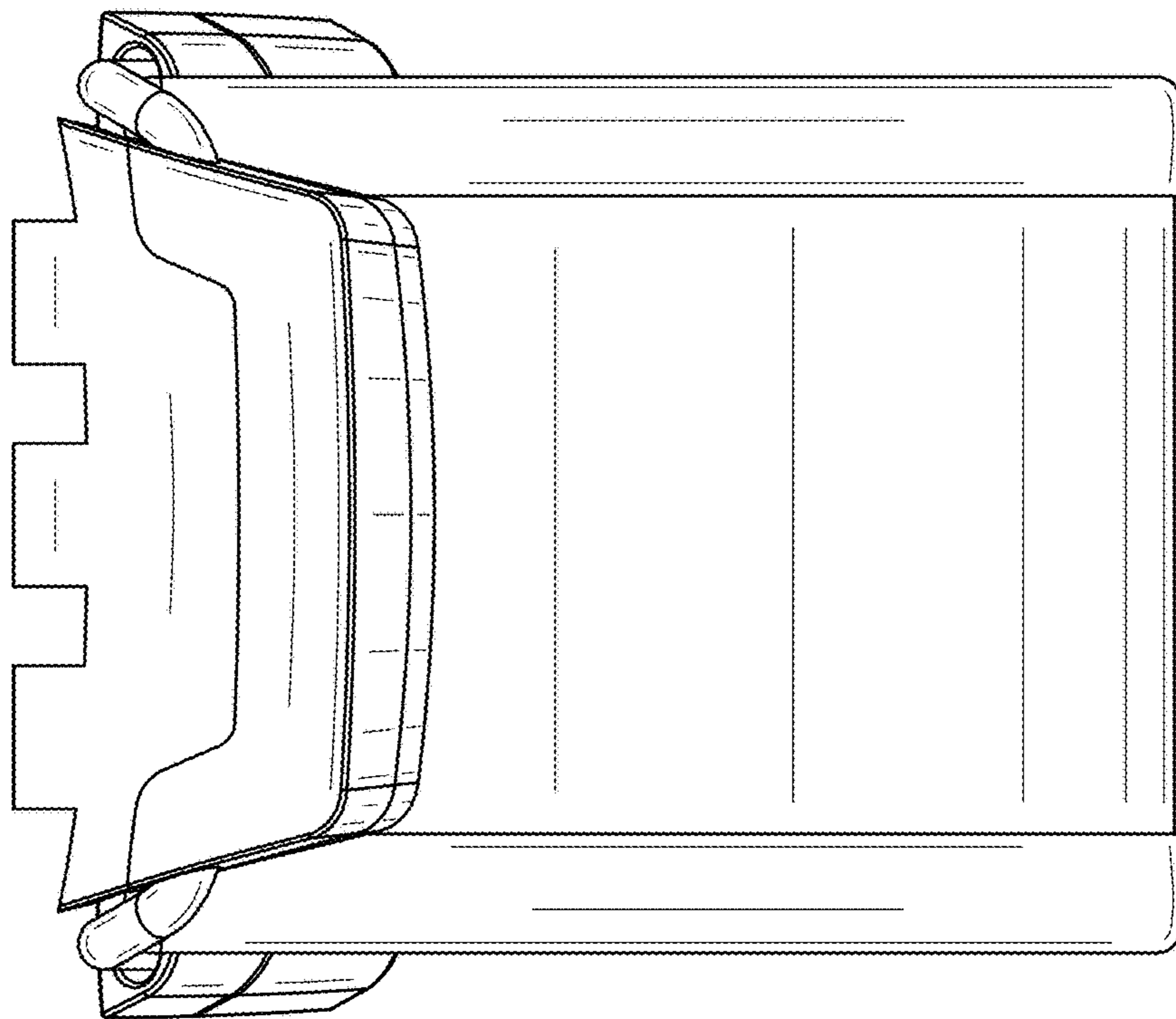


FIG. 8



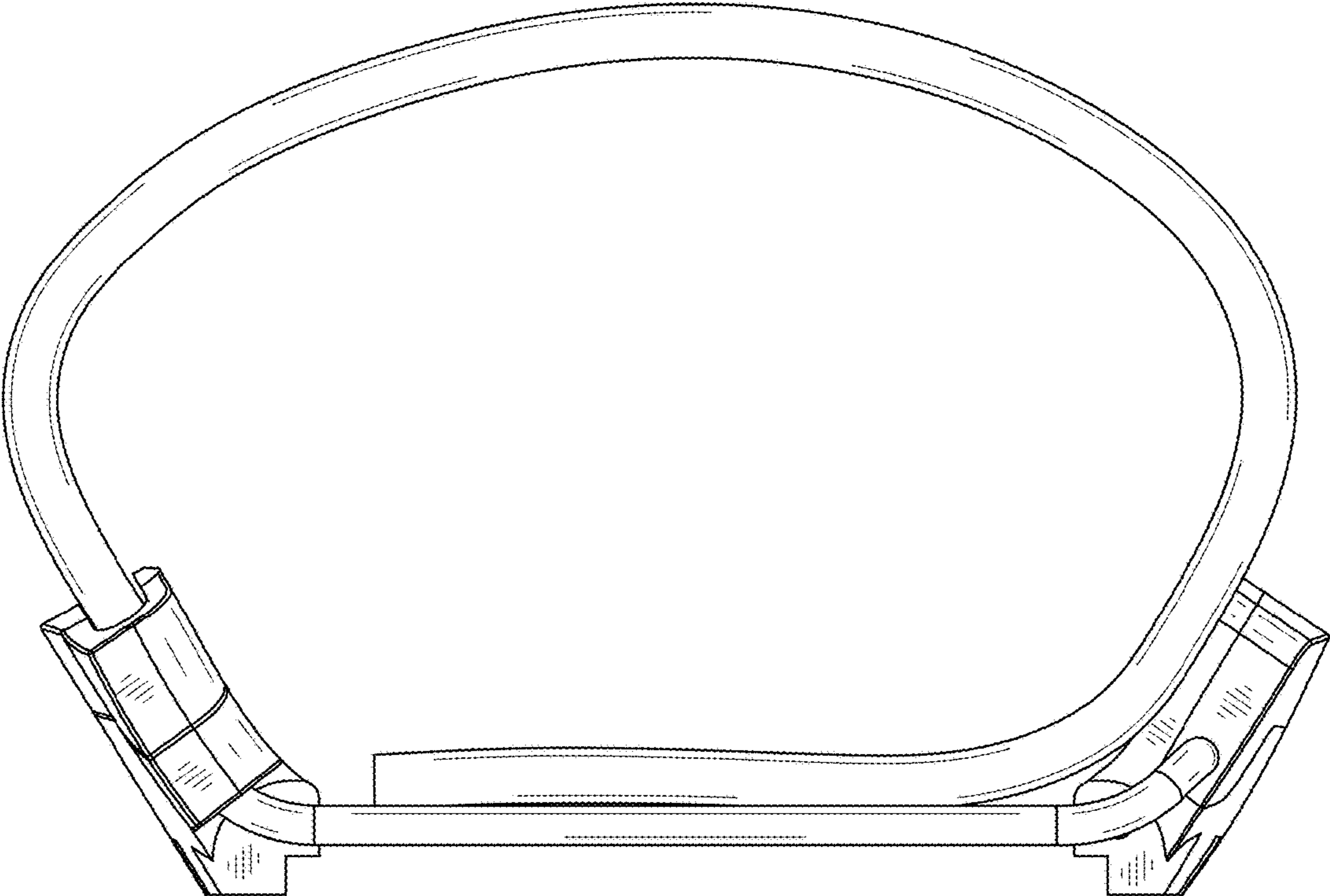


FIG. 9

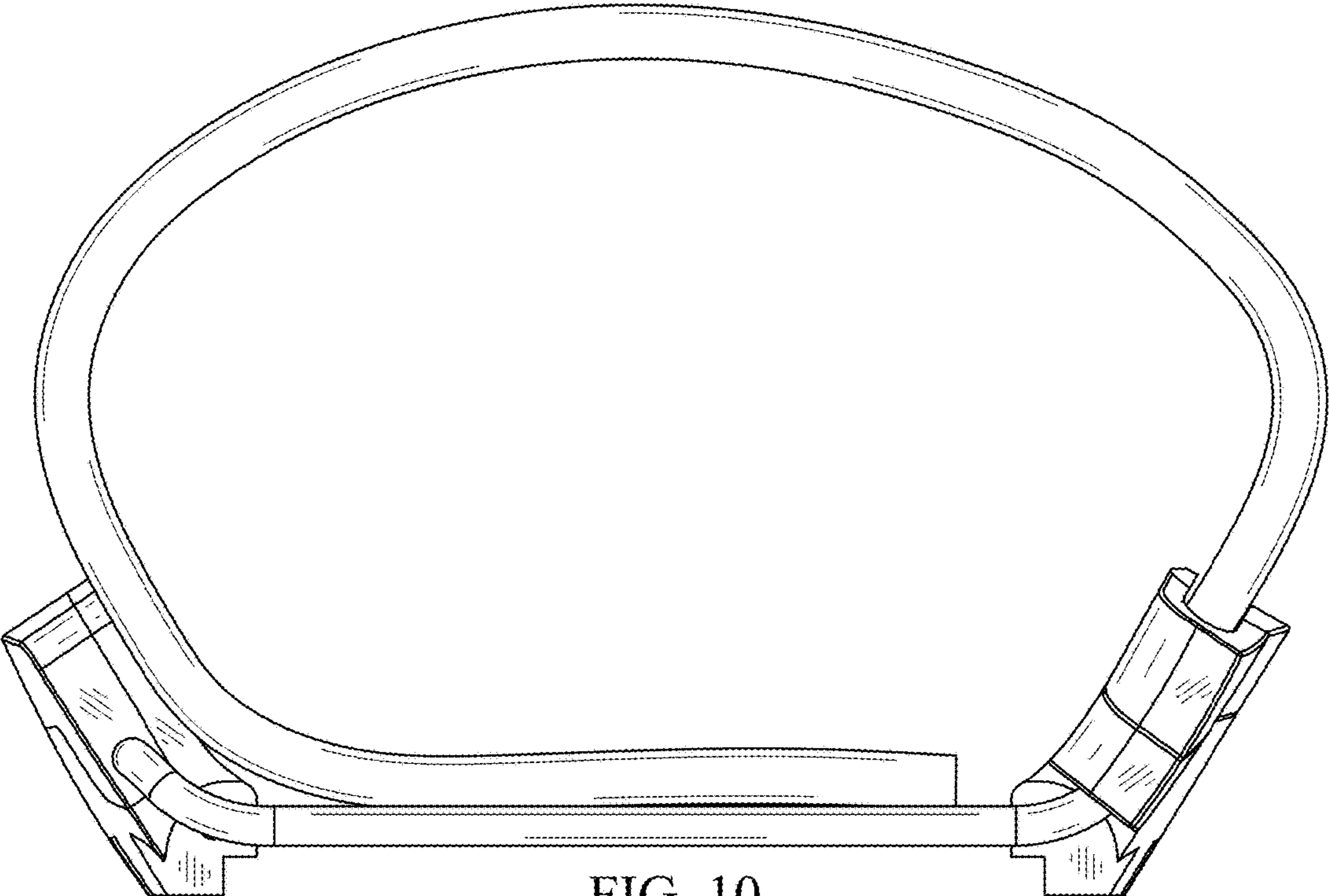


FIG. 10