



US00D775540S

(12) **United States Design Patent**
Marmier

(10) **Patent No.:** **US D775,540 S**
(45) **Date of Patent:** **** Jan. 3, 2017**

(54) **MEASURING INSTRUMENT**

(71) Applicant: **Mettler-Toledo AG**, Greifensee (CH)

(72) Inventor: **Yves Marmier**, La Chaux-de-Fonds (CH)

(73) Assignee: **METTLER-TOLEDO GMBH**, Greifensee (CH)

(**) Term: **15 Years**

(21) Appl. No.: **29/540,325**

(22) Filed: **Sep. 23, 2015**

(30) **Foreign Application Priority Data**

Mar. 25, 2015 (EM) 002667386

(51) **LOC (10) Cl.** **10-04**

(52) **U.S. Cl.**
USPC **D10/91**

(58) **Field of Classification Search**
USPC D10/91
CPC G01G 1/18; G01G 1/185; G01G 1/20;
G01G 1/22; G01G 1/24; G01G 1/243; G01G 1/246; G01G 1/26; G01G 1/28; G01G 1/29; G01G 1/30; G01G 1/32; G01G 1/34; G01G 1/36; G01G 1/38; G01G 1/40; G01G 1/42

See application file for complete search history.

(56) **References Cited**

U.S. PATENT DOCUMENTS

D587,609 S	3/2009	Marmier	
D596,517 S *	7/2009	Kesselman	D10/91
D655,213 S *	3/2012	Pan	D10/91
D688,964 S *	9/2013	Lauer	D10/91
D699,136 S *	2/2014	Ammon	D10/91
D705,683 S *	5/2014	Lauer	D10/91

* cited by examiner

Primary Examiner — Antoine D Davis

(74) *Attorney, Agent, or Firm* — Standley Law Group LLP

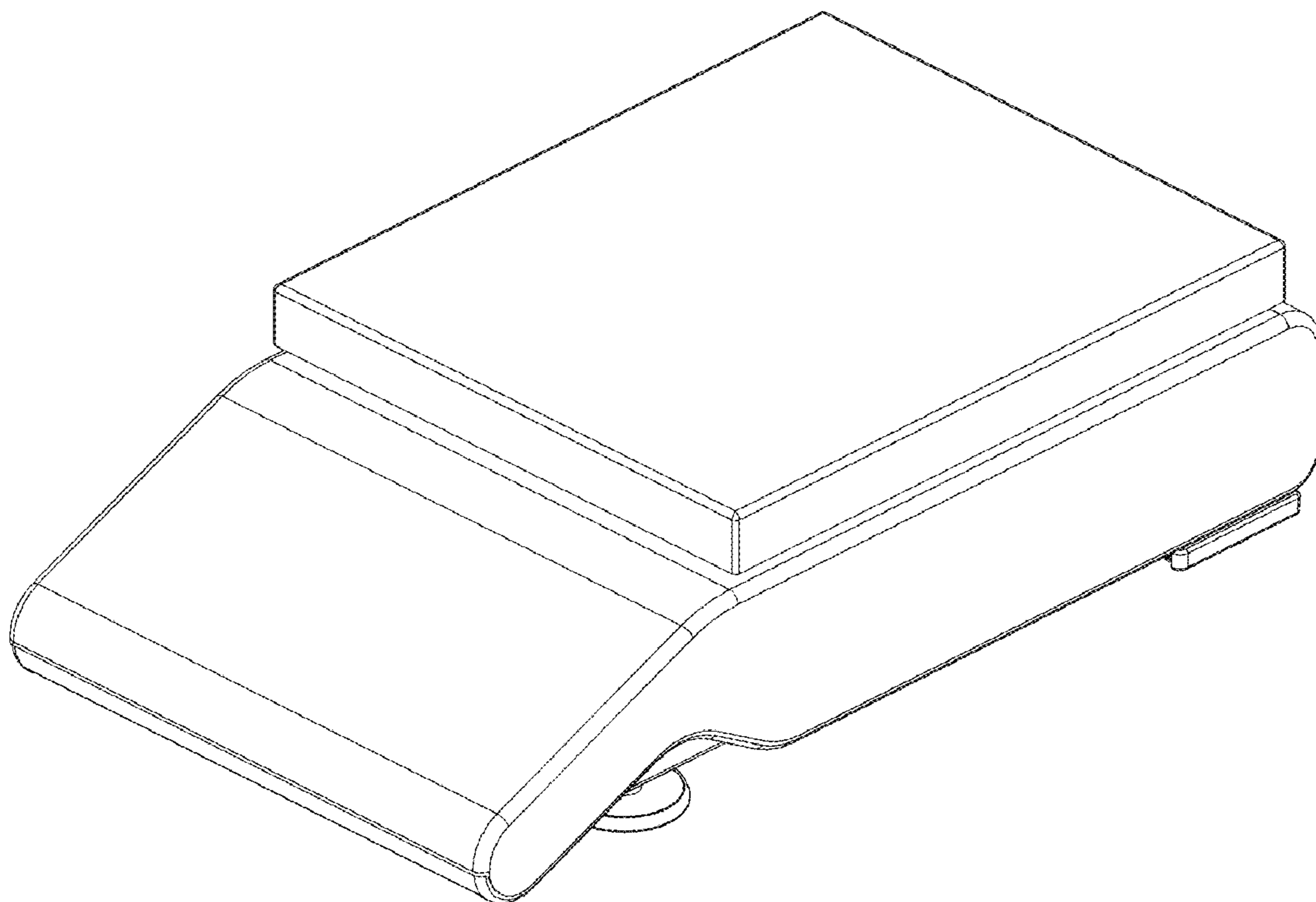
(57) **CLAIM**

The ornamental design for a measuring instrument, as shown and described.

DESCRIPTION

FIG. 1 is a front perspective view of the measuring instrument;
FIG. 2 is a right side elevation view thereof;
FIG. 3 is a left side elevation view thereof;
FIG. 4 is a rear elevation view thereof;
FIG. 5 is a front elevation view thereof;
FIG. 6 is a bottom plan view thereof; and,
FIG. 7 is a top plan view thereof.

1 Claim, 7 Drawing Sheets



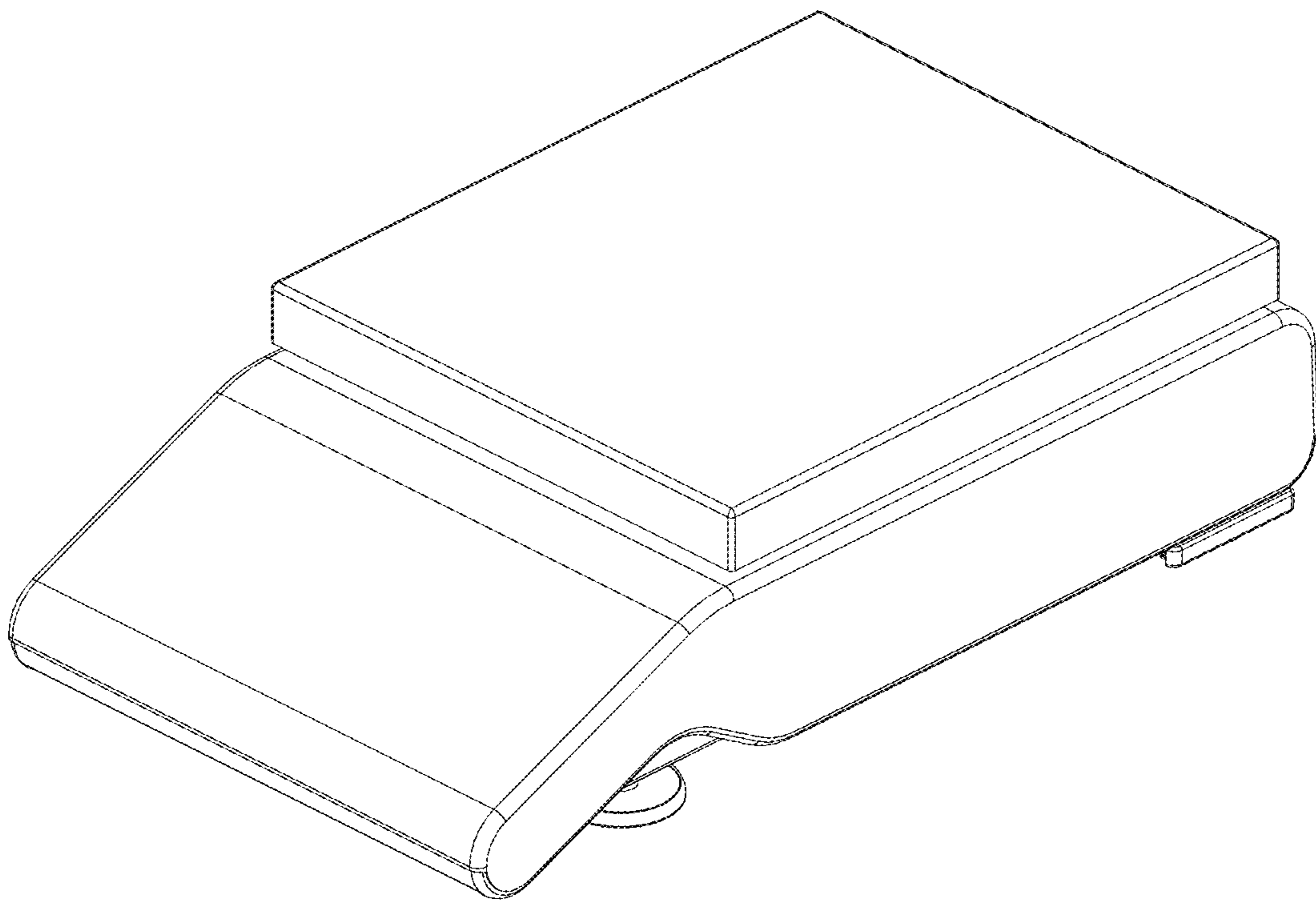


FIG. 1

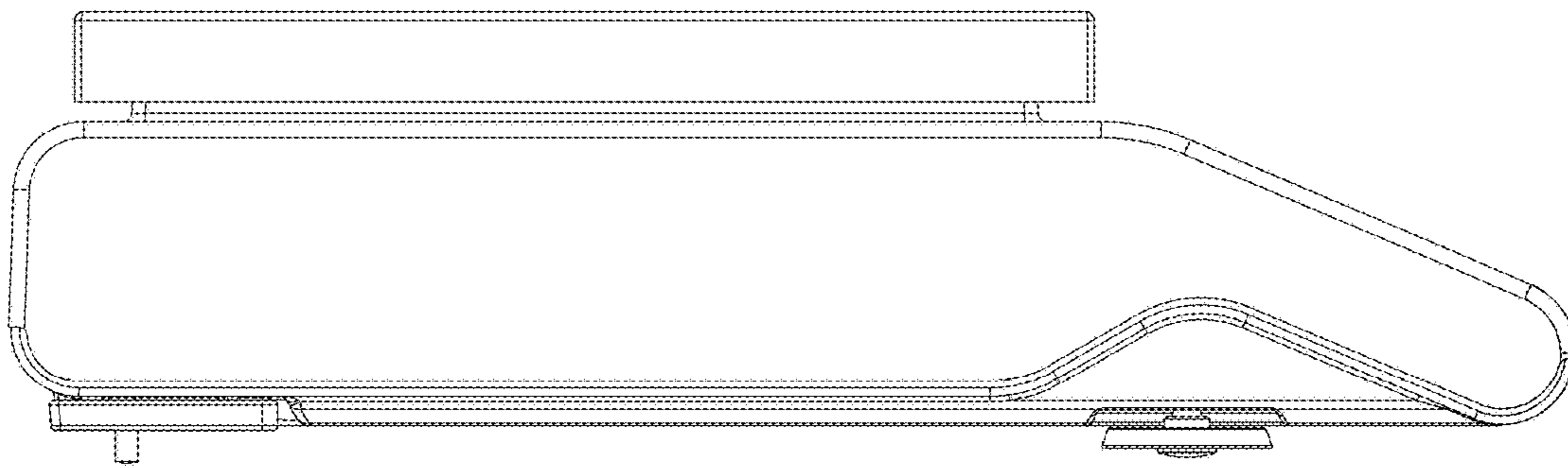


FIG. 2

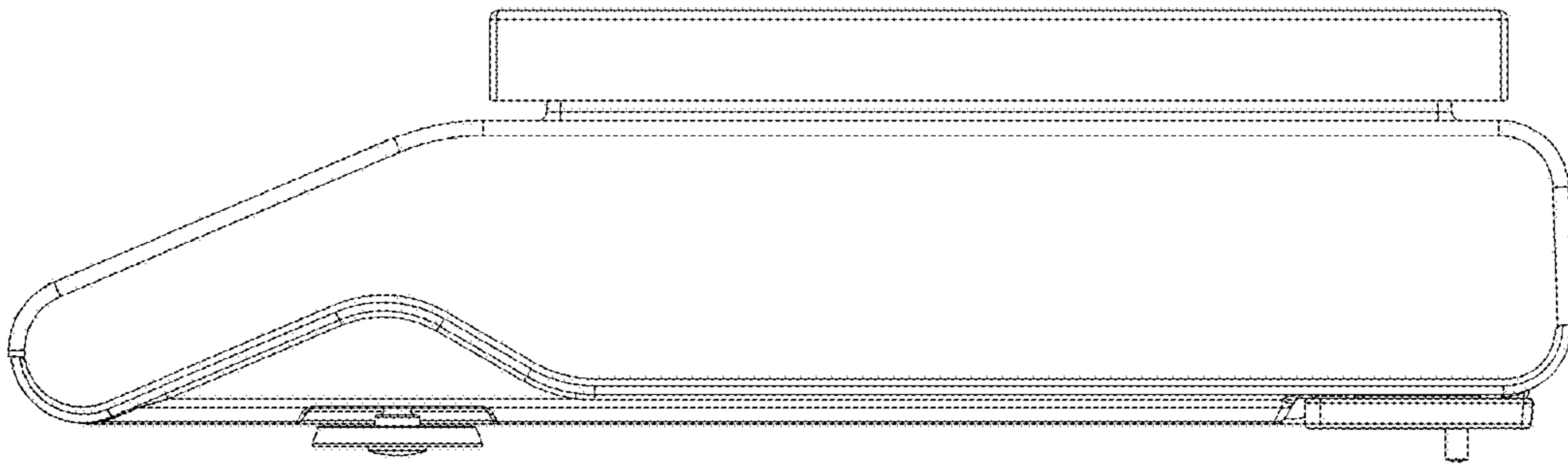


FIG. 3

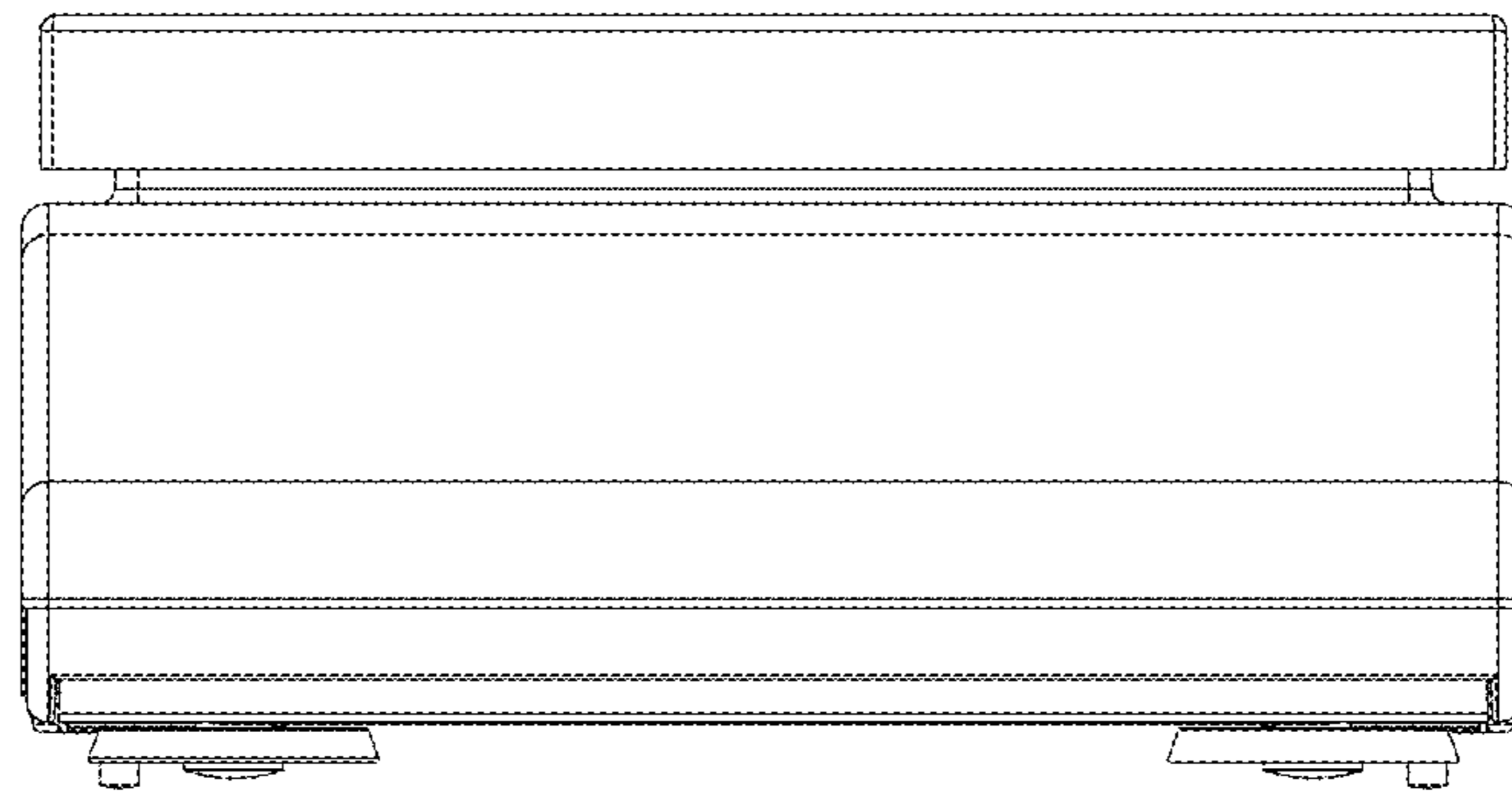


FIG. 4

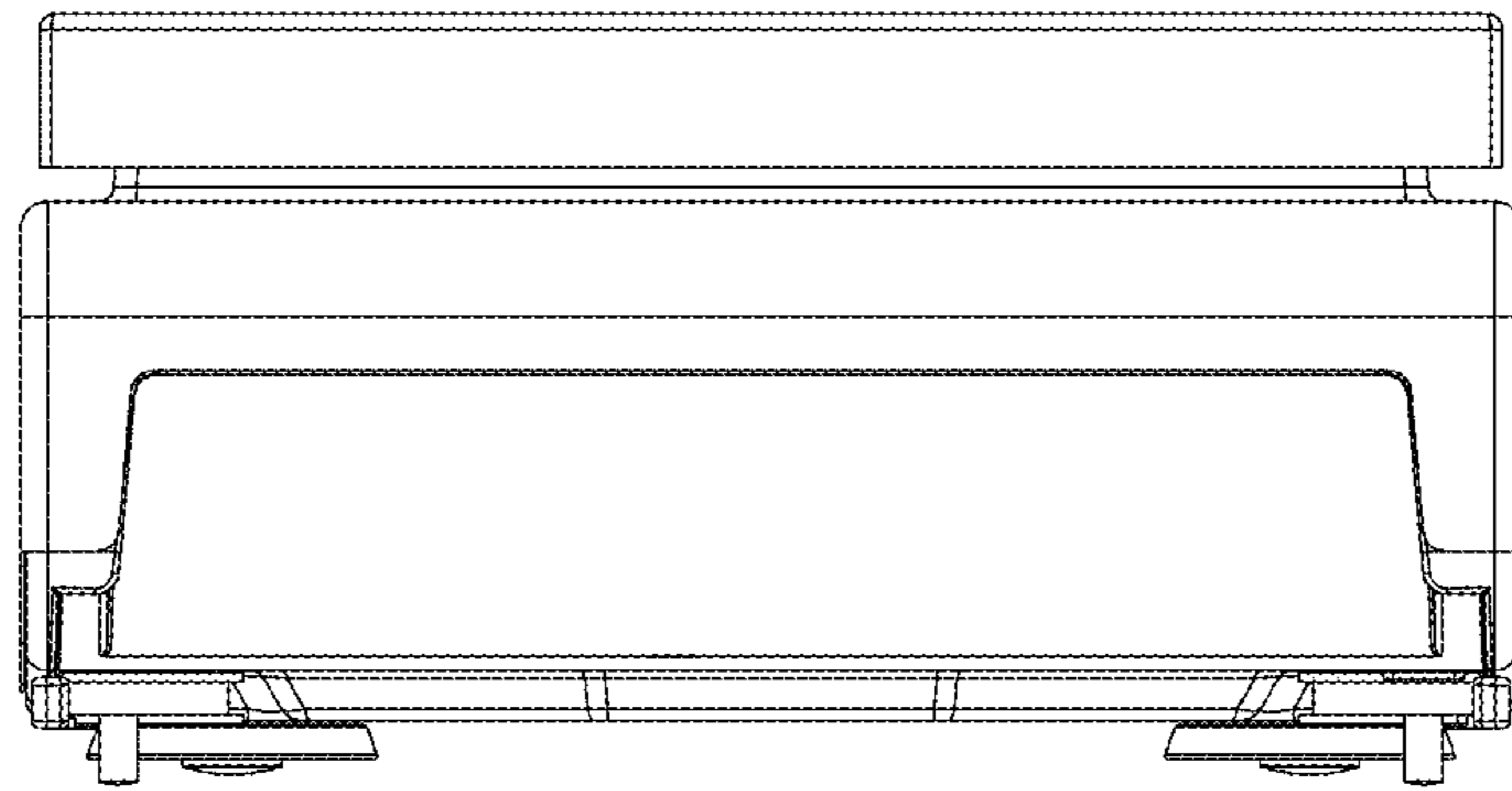


FIG. 5

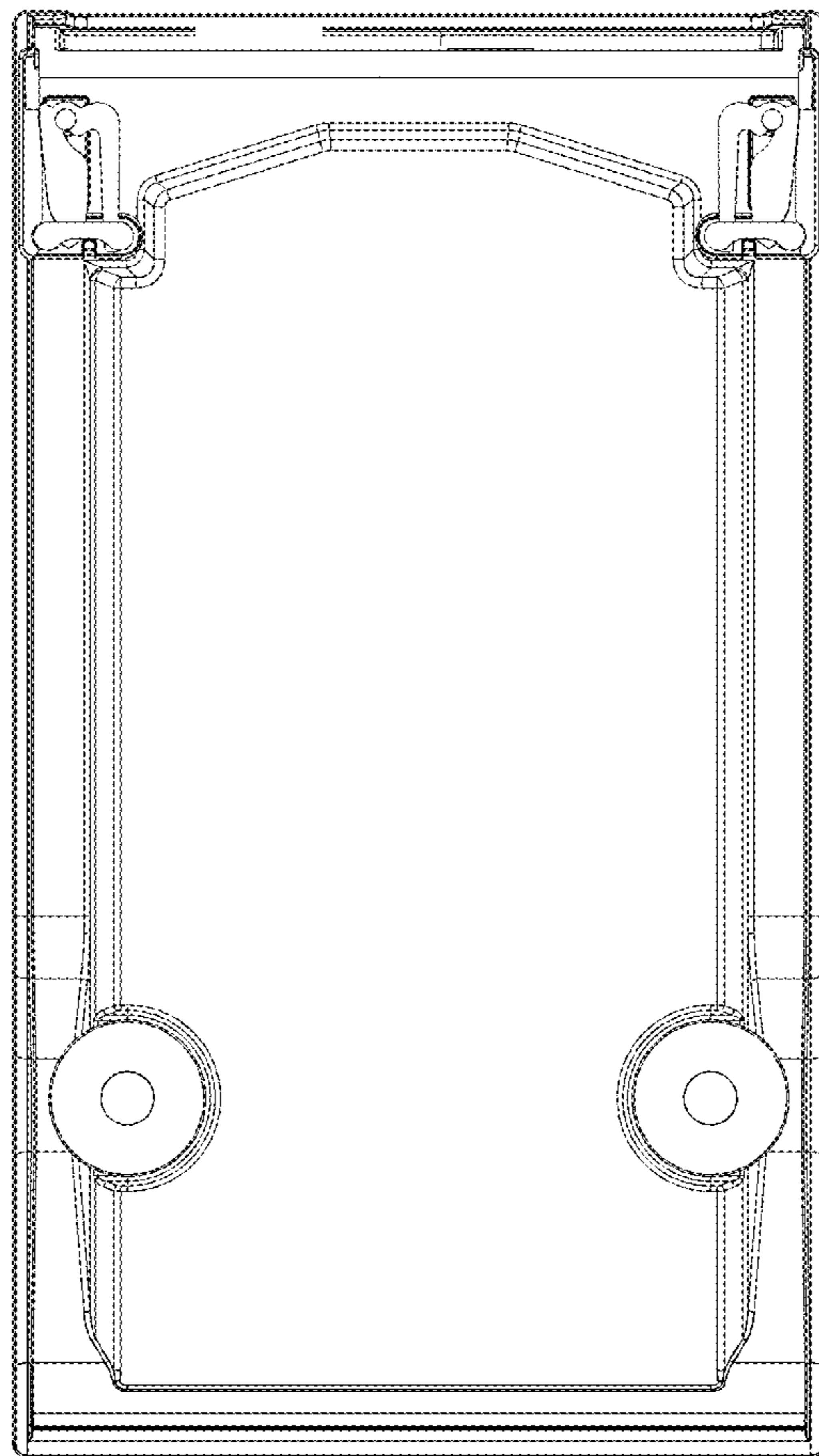


FIG. 6

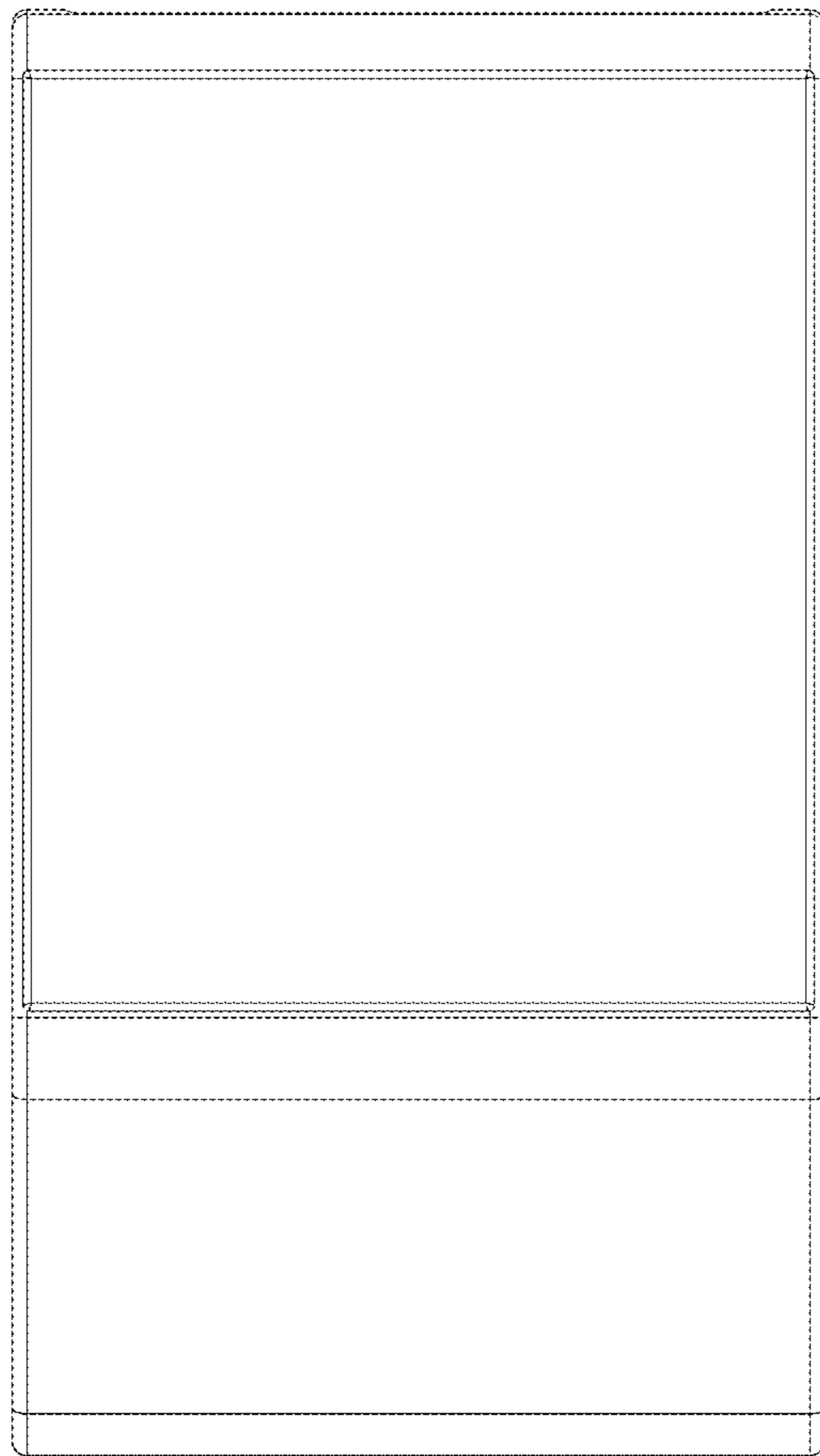


FIG. 7