



US00D775539S

(12) **United States Design Patent** (10) **Patent No.:** **US D775,539 S**
Senda et al. (45) **Date of Patent:** **** Jan. 3, 2017**

(54) **HANDLE FOR ELECTRICAL MEASURING INSTRUMENT**

Primary Examiner — Antoine D Davis
(74) *Attorney, Agent, or Firm* — Cantor Colburn LLP

(57) **CLAIM**

The ornamental design for an handle for electrical measuring instrument, as shown and described.

DESCRIPTION

(71) Applicant: **HIOKI E.E. CORPORATION**, Ueda, Nagano (JP)

(72) Inventors: **Manabu Senda**, Nagano (JP); **Koichi Tanaka**, Nagano (JP); **Hideki Tomiyama**, Nagano (JP); **Toshio Heishi**, Nagano (JP); **Manabu Yamanouchi**, Nagano (JP)

FIG. 1 is a perspective view of an embodiment of a handle for electrical measuring instrument, where blue portions are indicated using the USPTO convention of cross-hatching for blue.

FIG. 2 is a perspective view of the embodiment of FIG. 1.

FIG. 3 is a front view of the embodiment of FIG. 1.

FIG. 4 is a side view of the embodiment of FIG. 1.

FIG. 5 is a perspective view of another embodiment of a handle for electrical measuring instrument, where blue portions are indicated using the USPTO convention of cross-hatching for blue.

FIG. 6 is a perspective view of the embodiment of FIG. 5.

FIG. 7 is a front view of the embodiment of FIG. 5.

FIG. 8 is a side view of the embodiment of FIG. 5.

FIG. 9 is a perspective view of another embodiment of a handle for electrical measuring instrument, where blue portions are indicated using the USPTO convention of cross-hatching for blue, where the blue is Pantone 7455C.

FIG. 10 is a perspective view of the embodiment of FIG. 9.

FIG. 11 is a front view of the embodiment of FIG. 9.

FIG. 12 is a side view of the embodiment of FIG. 9.

FIG. 13 is a perspective view of another embodiment of a handle for electrical measuring instrument, where blue portions are indicated using the USPTO convention of cross-hatching for blue, where the blue is Pantone 7455C.

FIG. 14 is a perspective view of the embodiment of FIG. 13.

FIG. 15 is a front view of the embodiment of FIG. 13; and,

FIG. 16 is a side view of the embodiment of FIG. 13.

The broken lines in the drawings are for the purpose of illustrating portions of the handle for electrical measuring instrument that form no part of the claimed design.

(73) Assignee: **HIOKI E.E. CORPORATION**, Nagano (JP)

(**) Term: **14 Years**

(21) Appl. No.: **29/523,033**

(22) Filed: **Apr. 6, 2015**

(51) **LOC (10) Cl.** **10-04**

(52) **U.S. Cl.**
USPC **D10/80; D8/317; D8/319**

(58) **Field of Classification Search**
USPC **D10/75, 76, 80; D8/315–321**

(Continued)

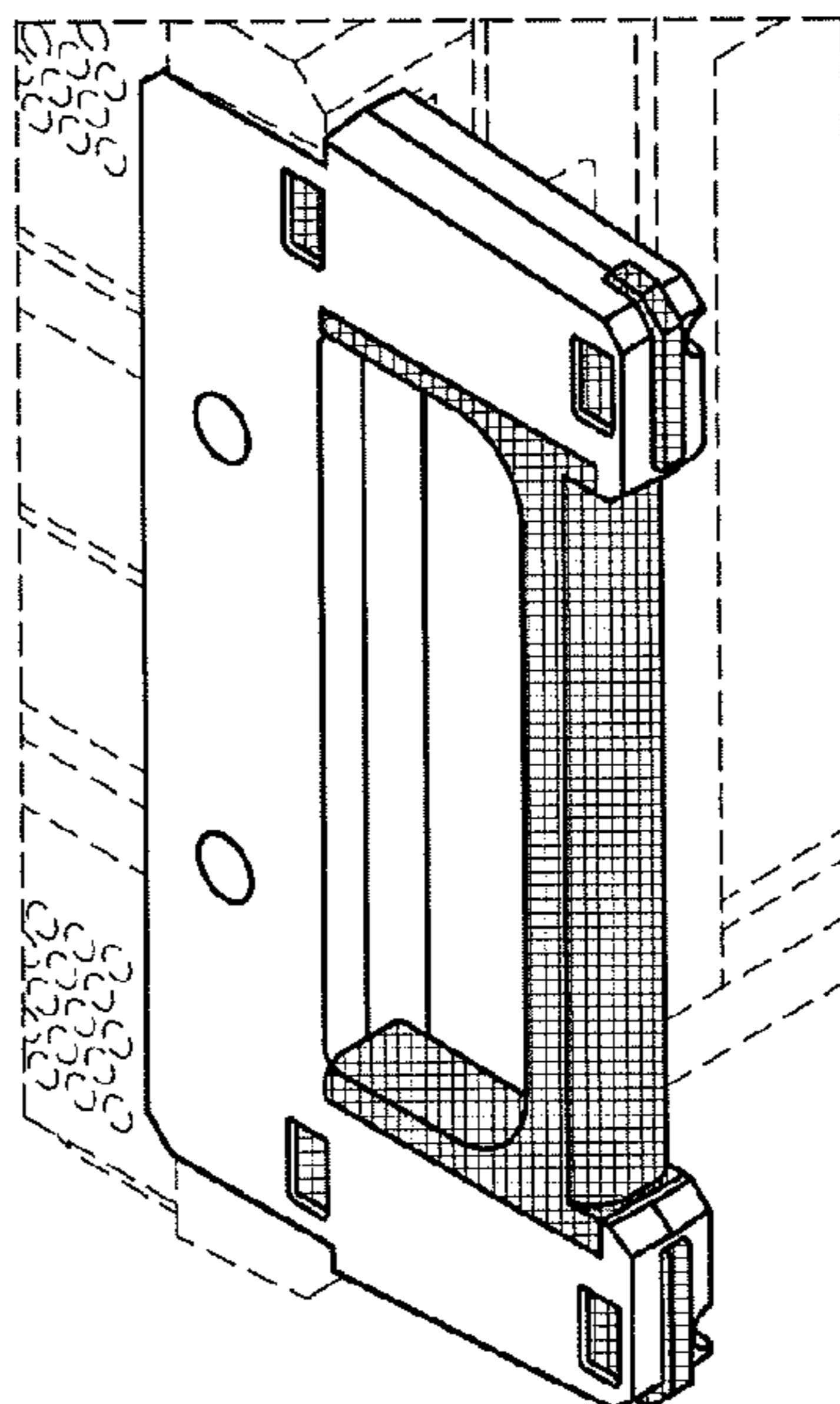
(56) **References Cited**

U.S. PATENT DOCUMENTS

D551,056 S * 9/2007 Ricereto D8/317
D741,139 S * 10/2015 Sheppard D8/319

* cited by examiner

1 Claim, 8 Drawing Sheets



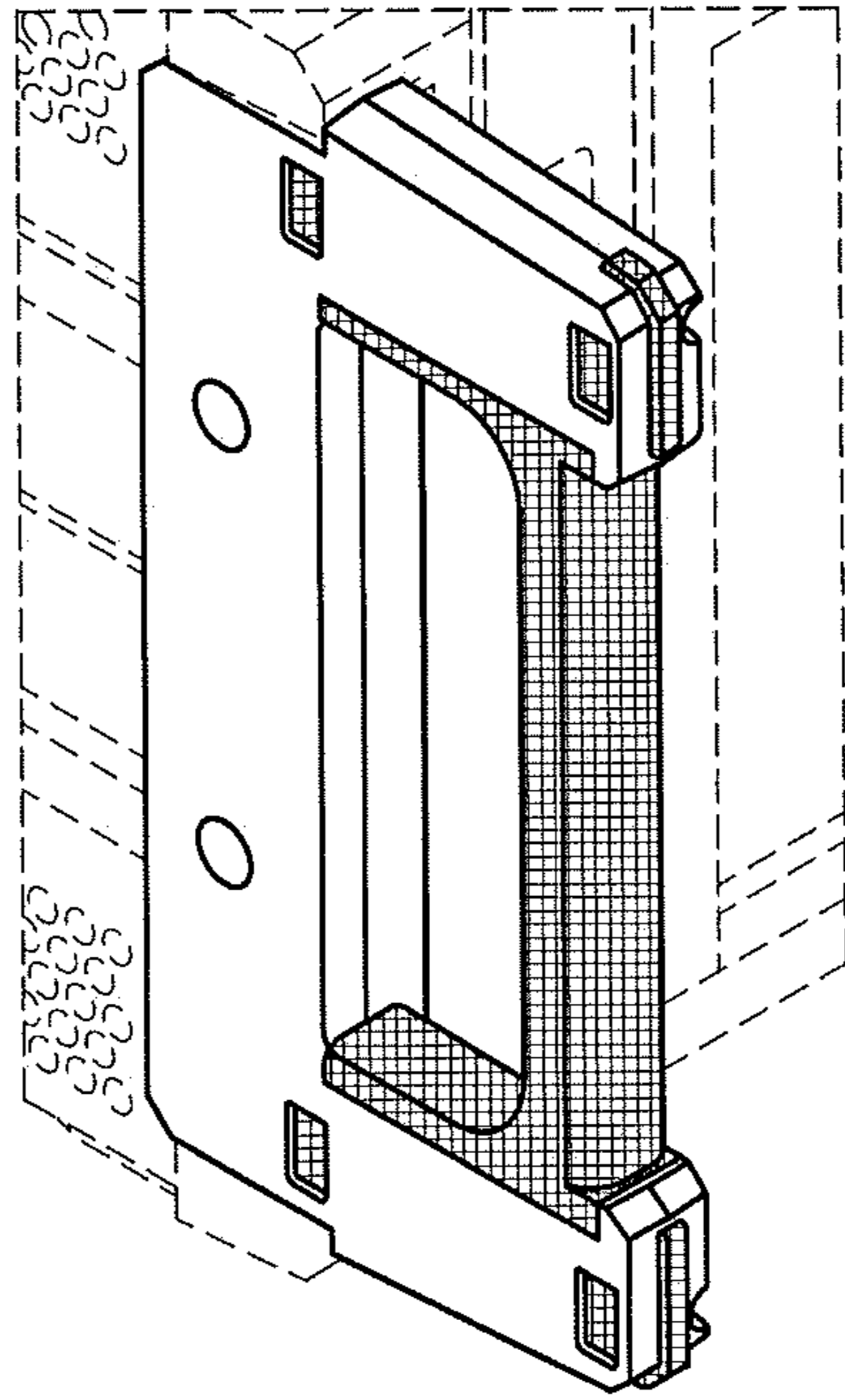


FIG. 1

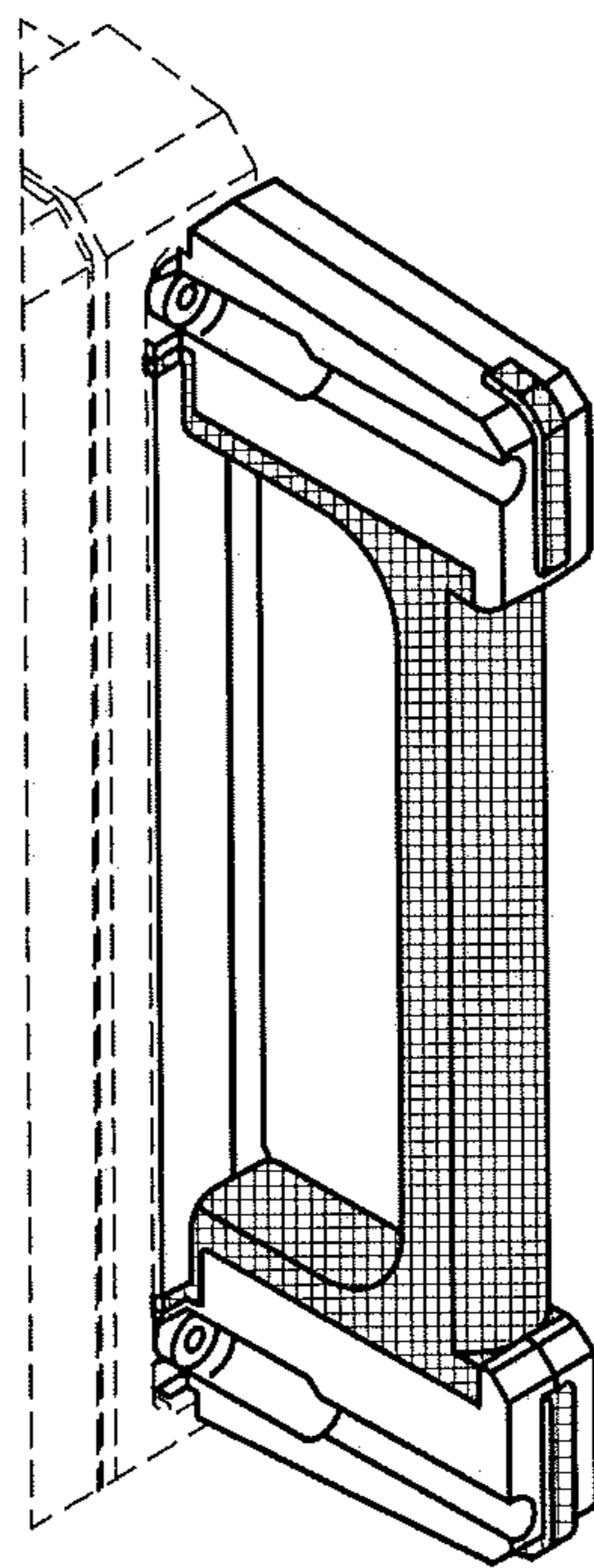


FIG. 2

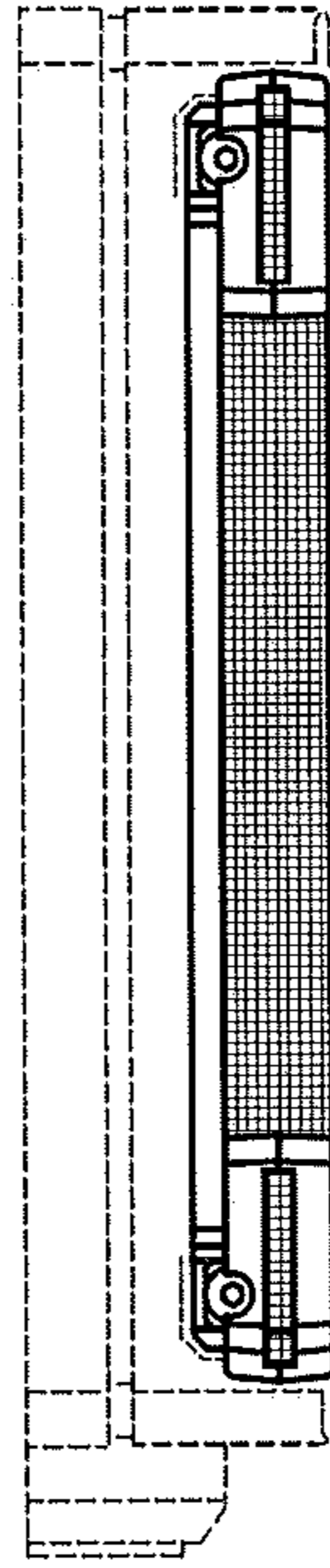


FIG. 3

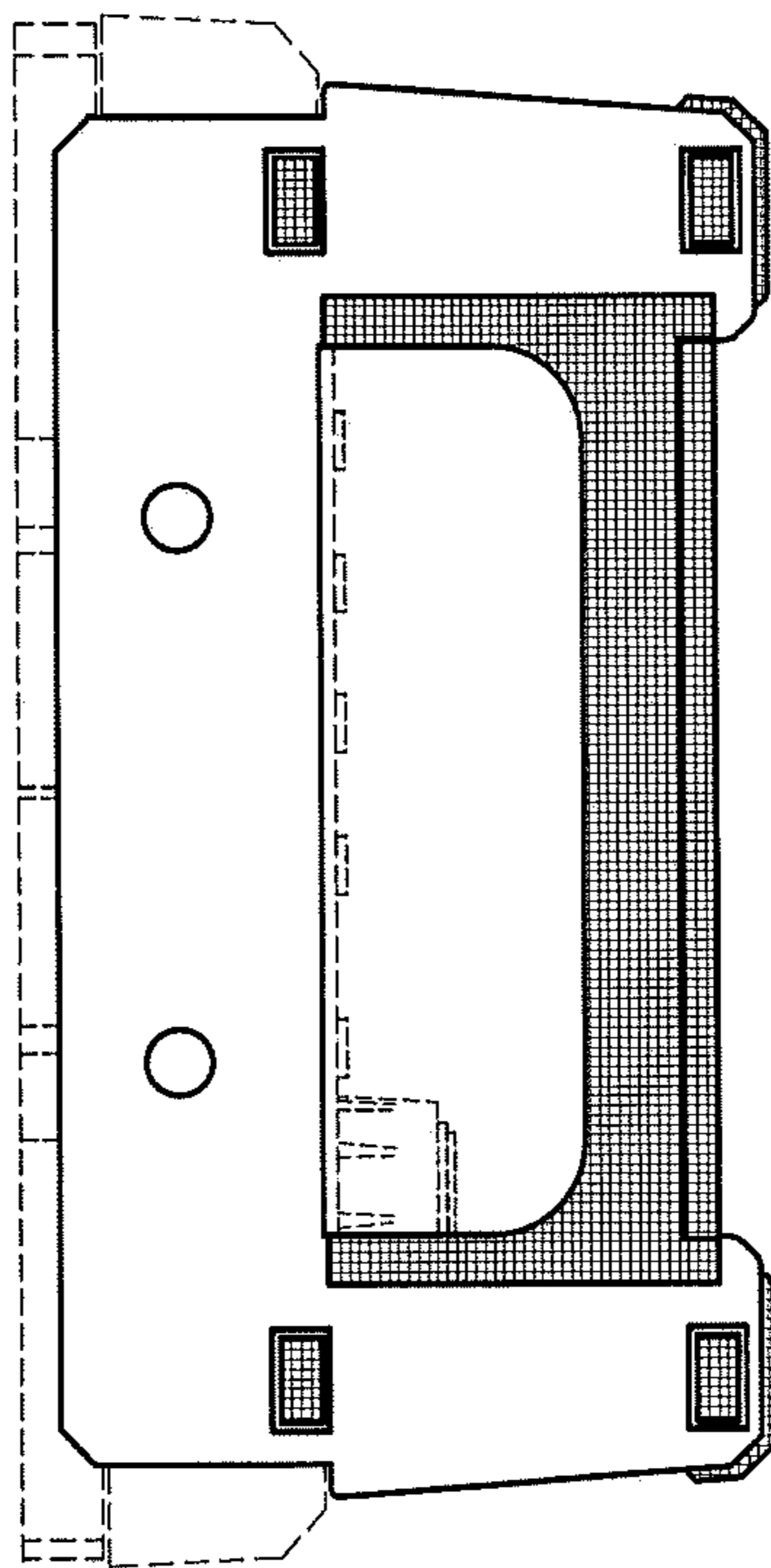


FIG. 4

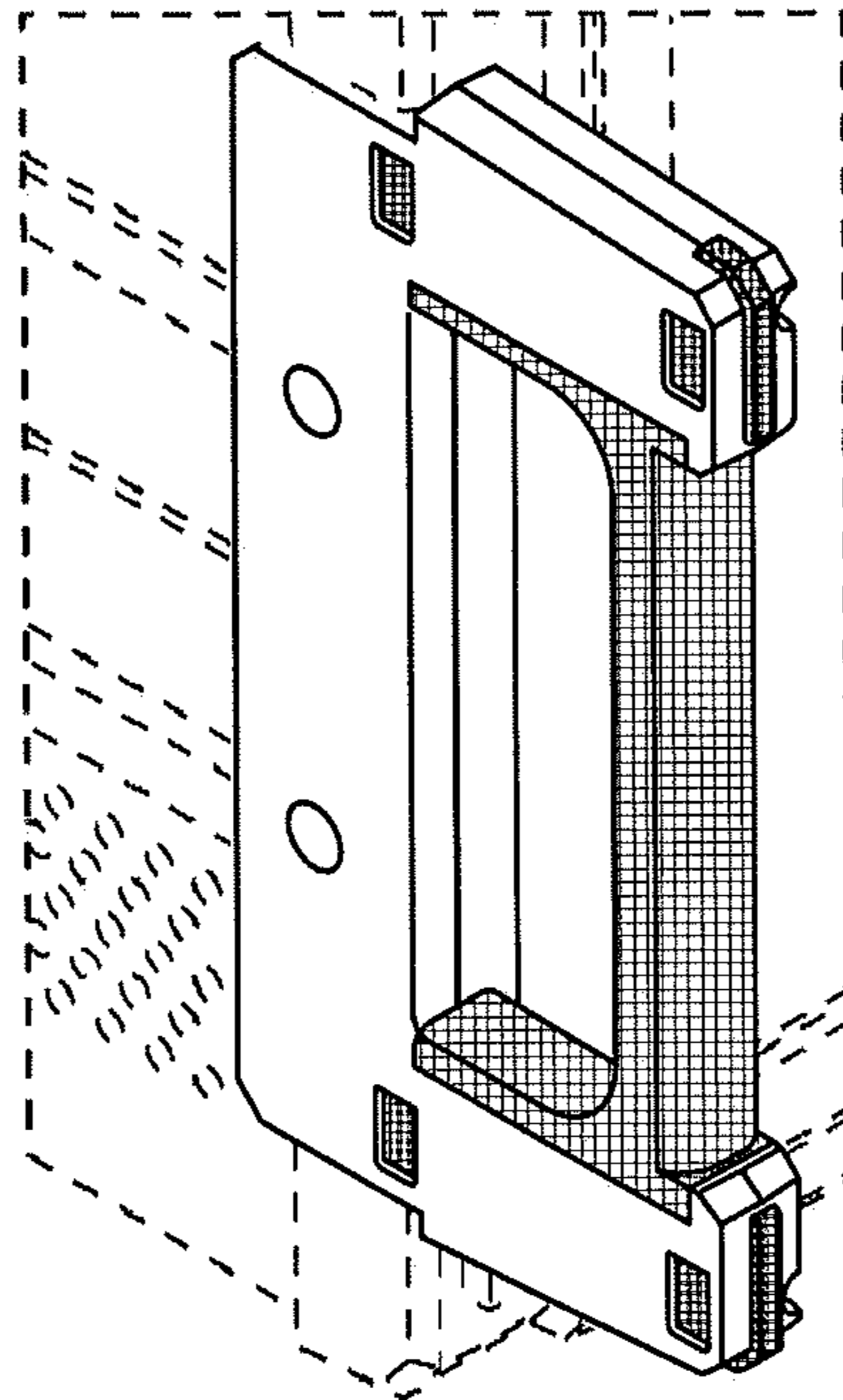


FIG. 5

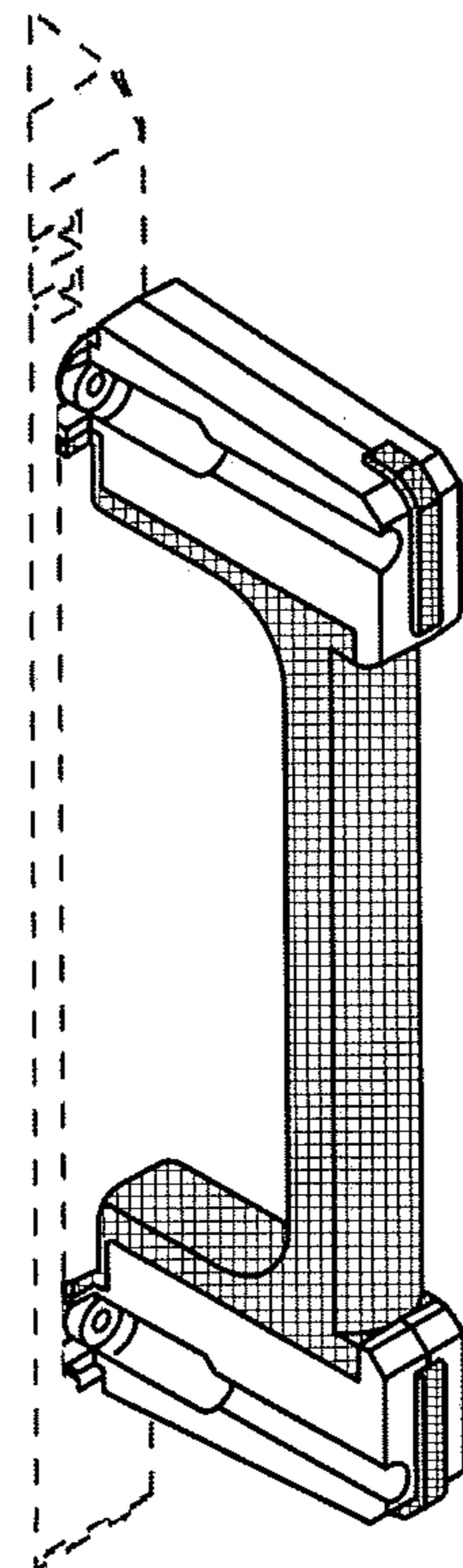


FIG. 6

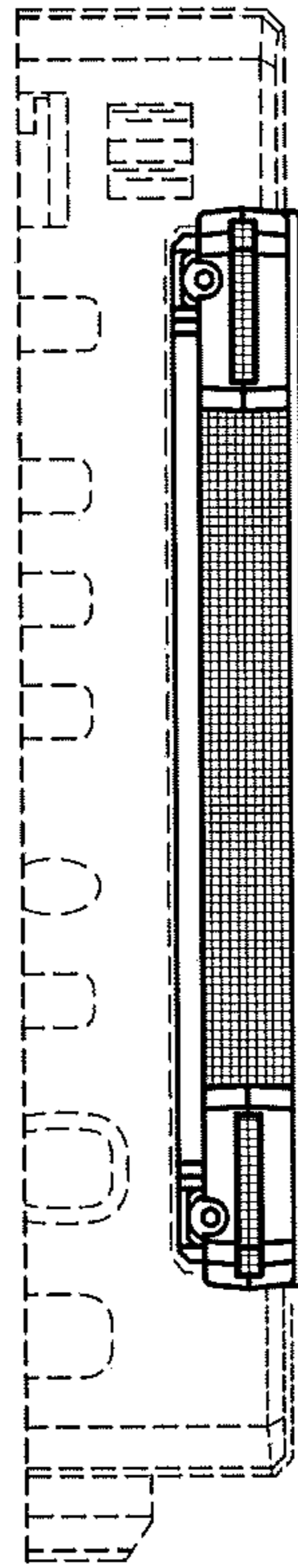


FIG. 7

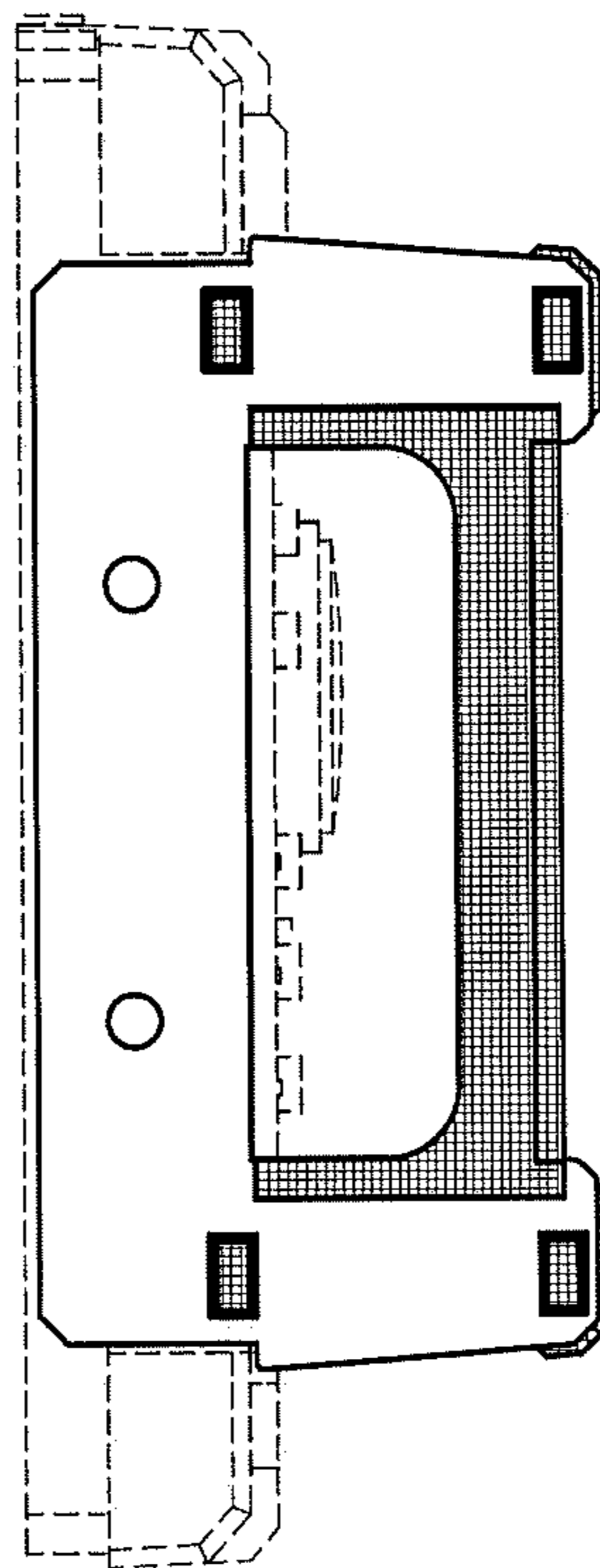


FIG. 8

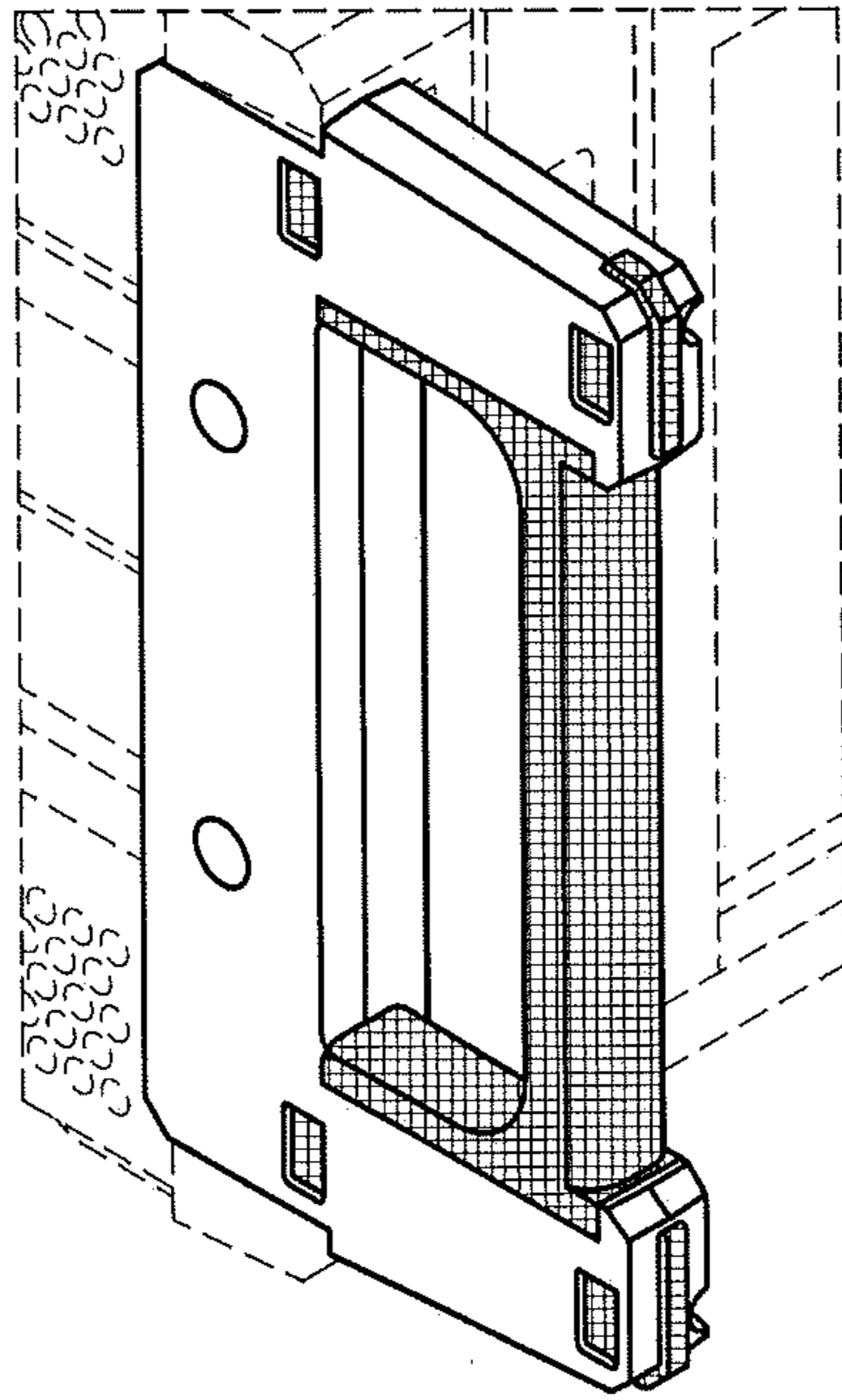


FIG. 9

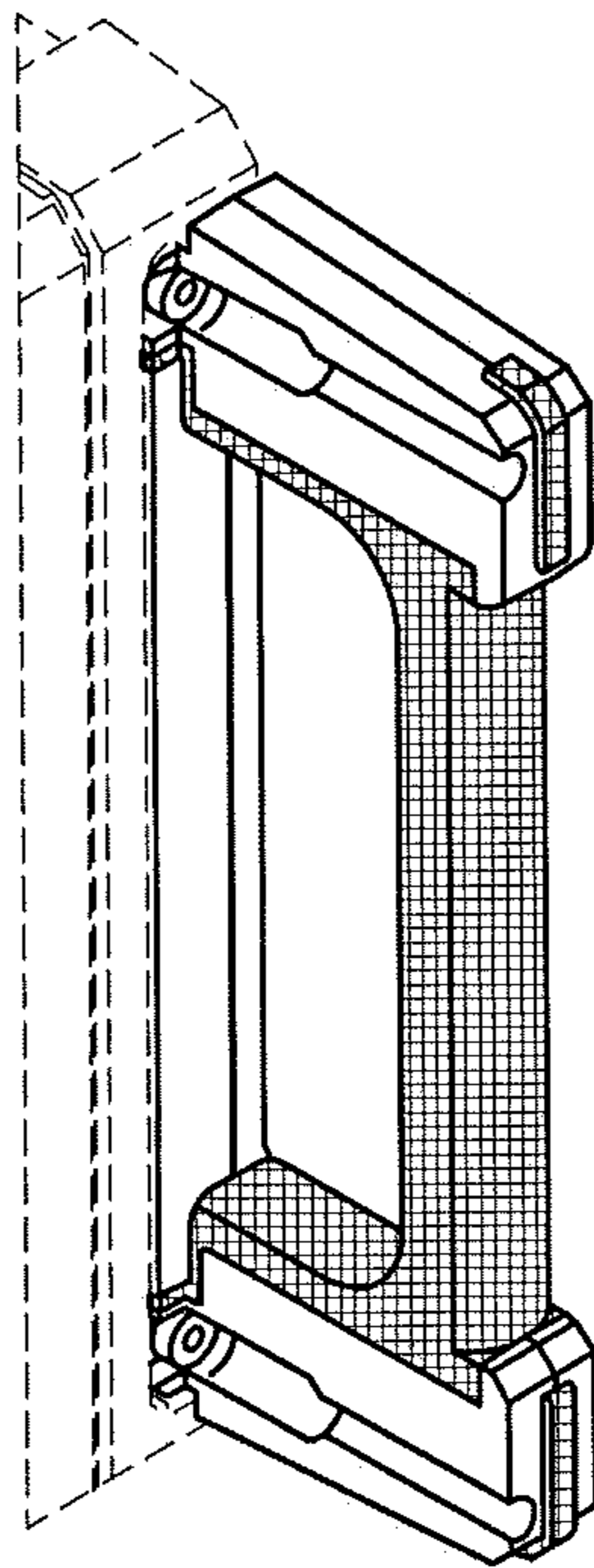


FIG. 10

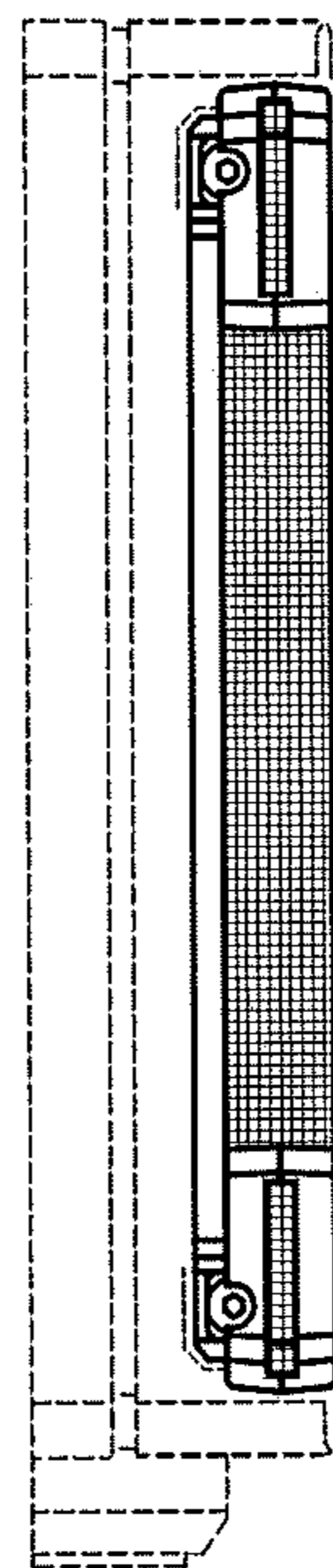


FIG. 11

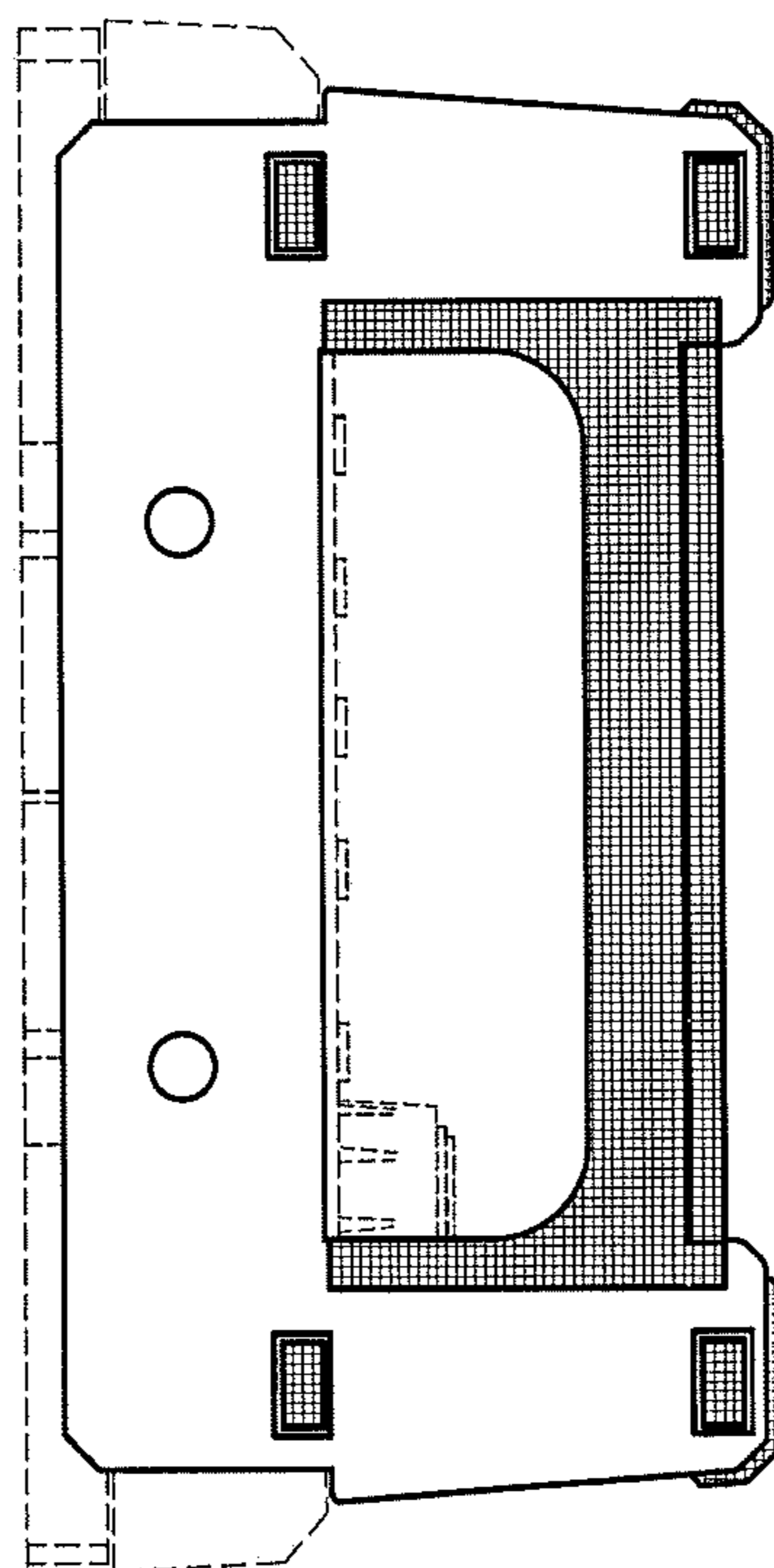


FIG. 12

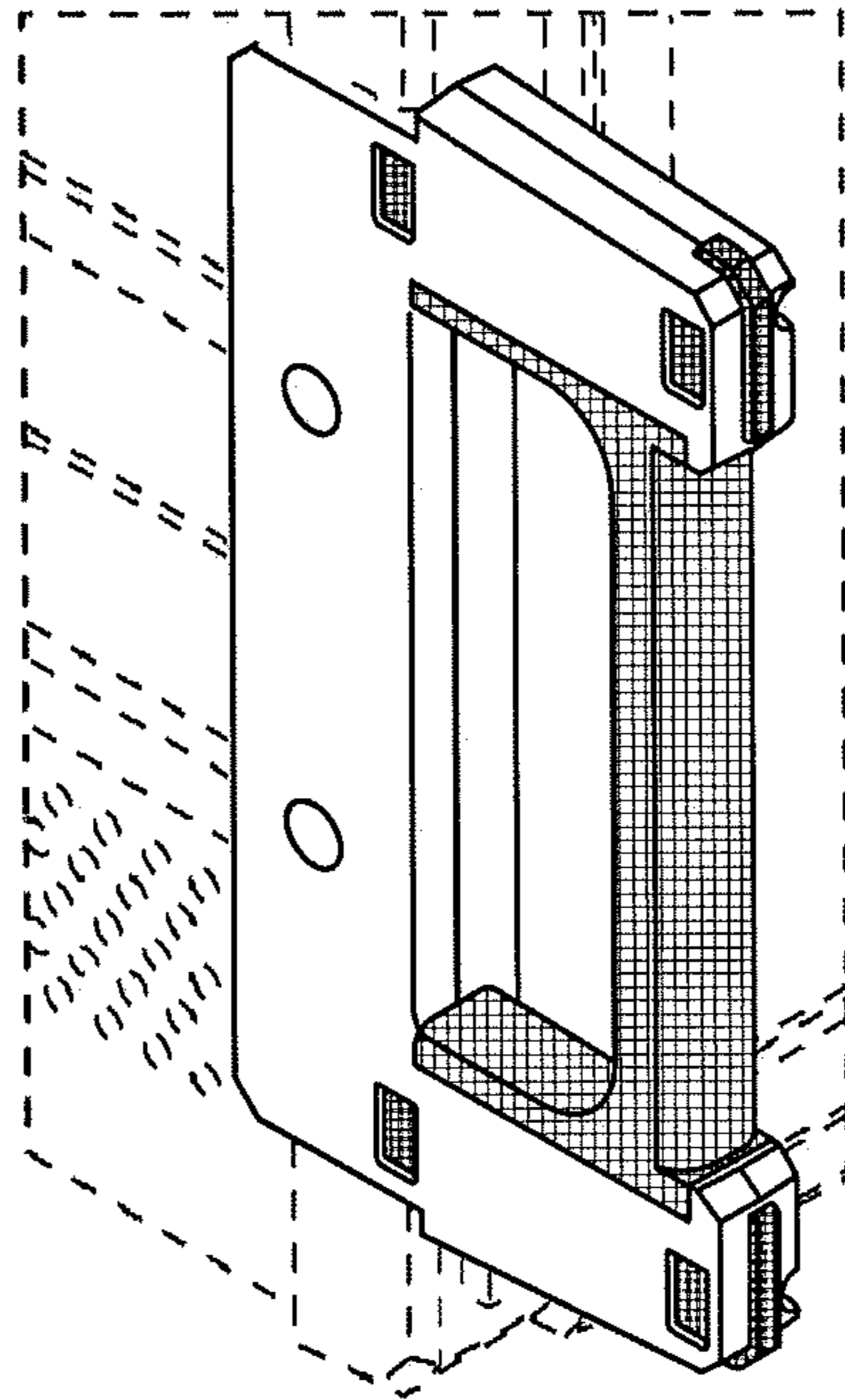


FIG. 13

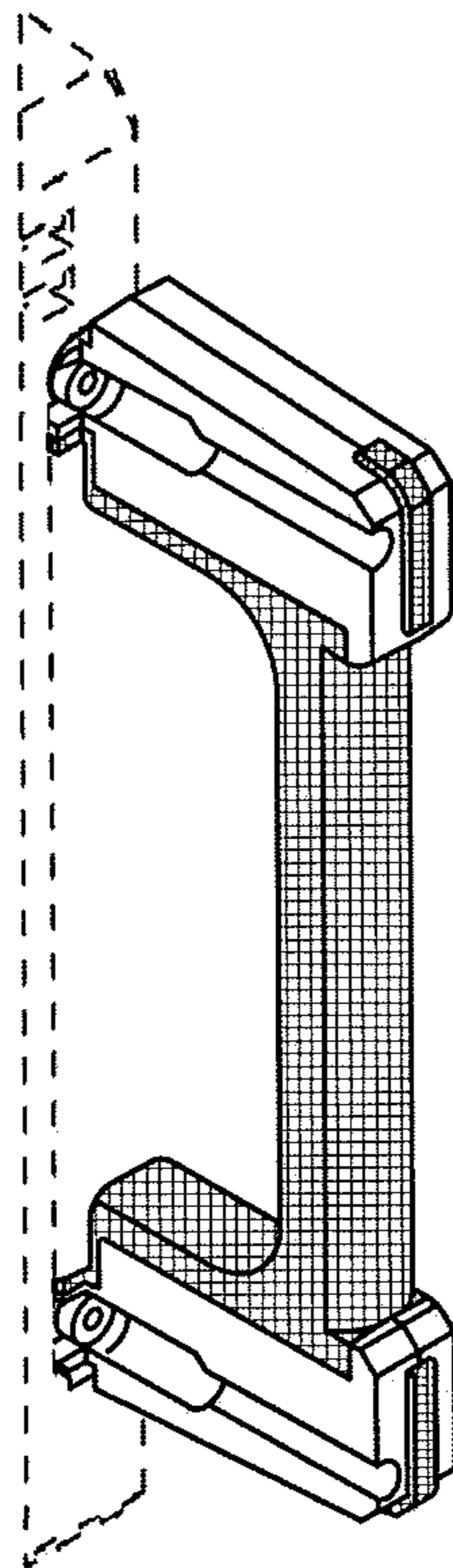


FIG. 14

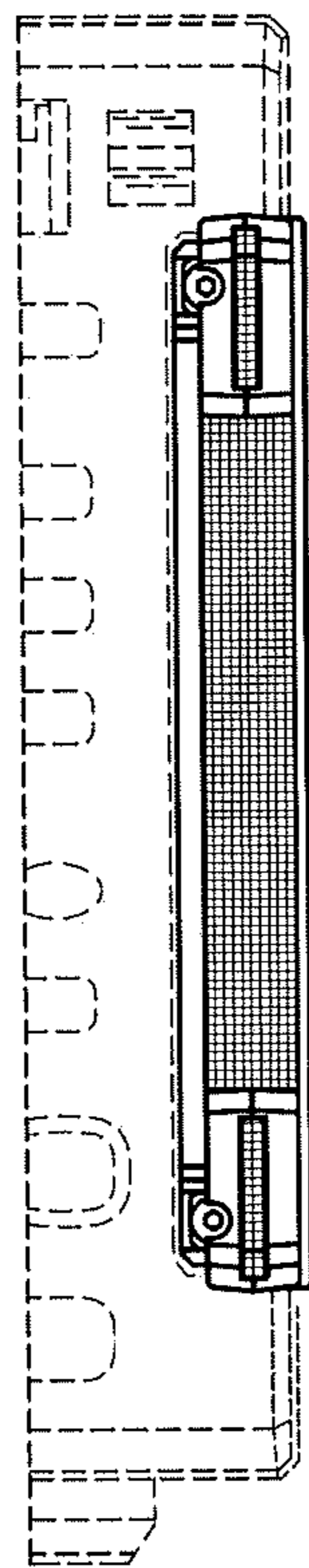


FIG. 15

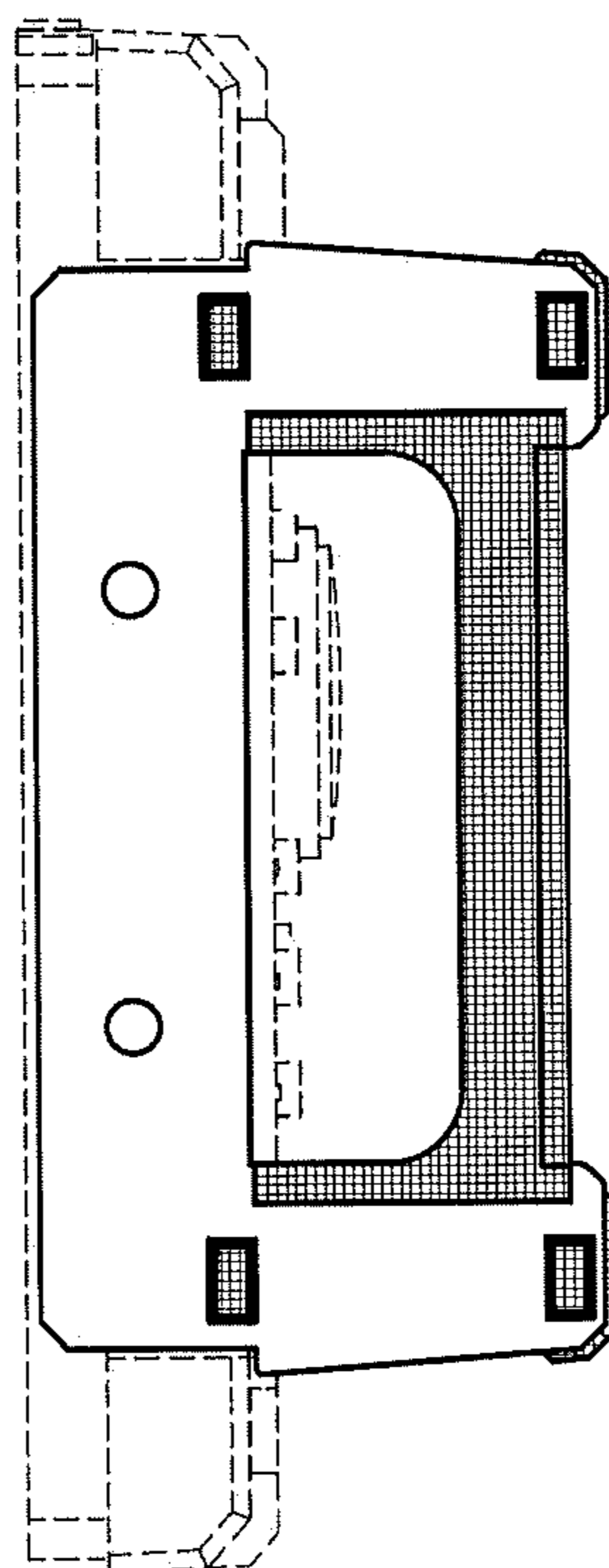


FIG. 16