



US00D775537S

(12) **United States Design Patent**
Kikstra et al.

(10) **Patent No.:** **US D775,537 S**

(45) **Date of Patent:** **** Jan. 3, 2017**

(54) **SENSOR COVER**

(71) Applicants: **Leonard Kikstra**, Jackson, WI (US);
Matthew Sveum, Wauwatosa, WI (US);
Peter K. Rusch, Brownsville, WI (US)

(72) Inventors: **Leonard Kikstra**, Jackson, WI (US);
Matthew Sveum, Wauwatosa, WI (US);
Peter K. Rusch, Brownsville, WI (US)

(73) Assignee: **Rite-Hite Holding Corporation**,
Milwaukee, WI (US)

(**) Term: **15 Years**

(21) Appl. No.: **29/528,181**

(22) Filed: **May 27, 2015**

(51) **LOC (10) Cl.** **10-04**

(52) **U.S. Cl.**
USPC **D10/65; D10/70; D10/106.6**

(58) **Field of Classification Search**
USPC D10/104.1, 65, 70, 106.6
CPC G08B 13/00; G08B 13/02; G08B 13/04;
G08B 13/06; G08B 13/08; G08B 13/10;
G08B 13/12; G08B 13/122; G08B 13/124;
G08B 13/126; G08B 13/128; G08B 13/14;
G08B 13/1409; G08B 13/1418; G08B
13/1427; G08B 13/1436; G08B 13/1445
See application file for complete search history.

(56) **References Cited**

U.S. PATENT DOCUMENTS

D297,717 S * 9/1988 Chu D10/104.1
7,737,843 B2 6/2010 Belden, Jr.

7,737,844 B2 6/2010 Scott
D656,047 S * 3/2012 Dyer D10/70
D656,848 S * 4/2012 Mosher D10/70
8,368,536 B2 2/2013 Fawcett
D733,596 S 7/2015 Goodner
9,091,100 B2 7/2015 Yang

OTHER PUBLICATIONS

“Non-Final Office action”, issued in connection with U.S. Appl. No. 29/533,640, Jul. 15, 2016, 19 pages.
United States Patent and Trademark Office, Notice of Allowance, issued in connection with U.S. Appl. No. 29/533,640, Oct. 13, 2016, 20 pages.

* cited by examiner

Primary Examiner — Antoine D Davis

(74) *Attorney, Agent, or Firm* — Hanley, Flight & Zimmerman, LLC

(57) **CLAIM**

The ornamental design for a “sensor cover,” as shown and described in FIGS. 1-7.

DESCRIPTION

FIG. 1 is a front right perspective view of a sensor cover. FIG. 2 is a front view of the sensor cover of FIG. 1. FIG. 3 is a rear view of the sensor cover of FIG. 1. FIG. 4 is a right side view of the sensor cover of FIG. 1. FIG. 5 is left side view of the sensor cover of FIG. 1. FIG. 6 is a top view of the sensor cover of FIG. 1; and, FIG. 7 is a bottom view of the sensor cover of FIG. 1. The features shown in broken lines form no part of the claimed design.

1 Claim, 3 Drawing Sheets

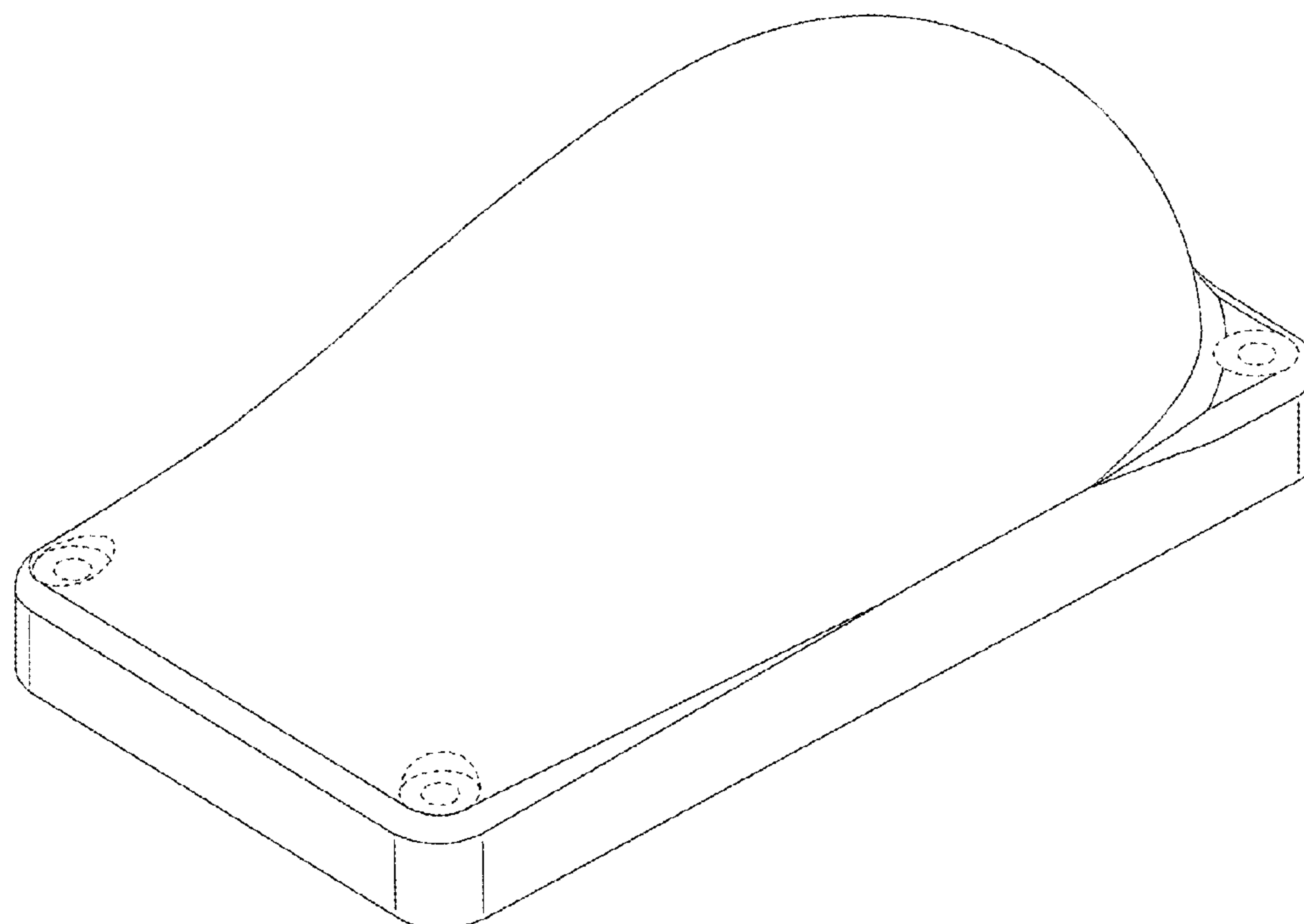


FIG. 1

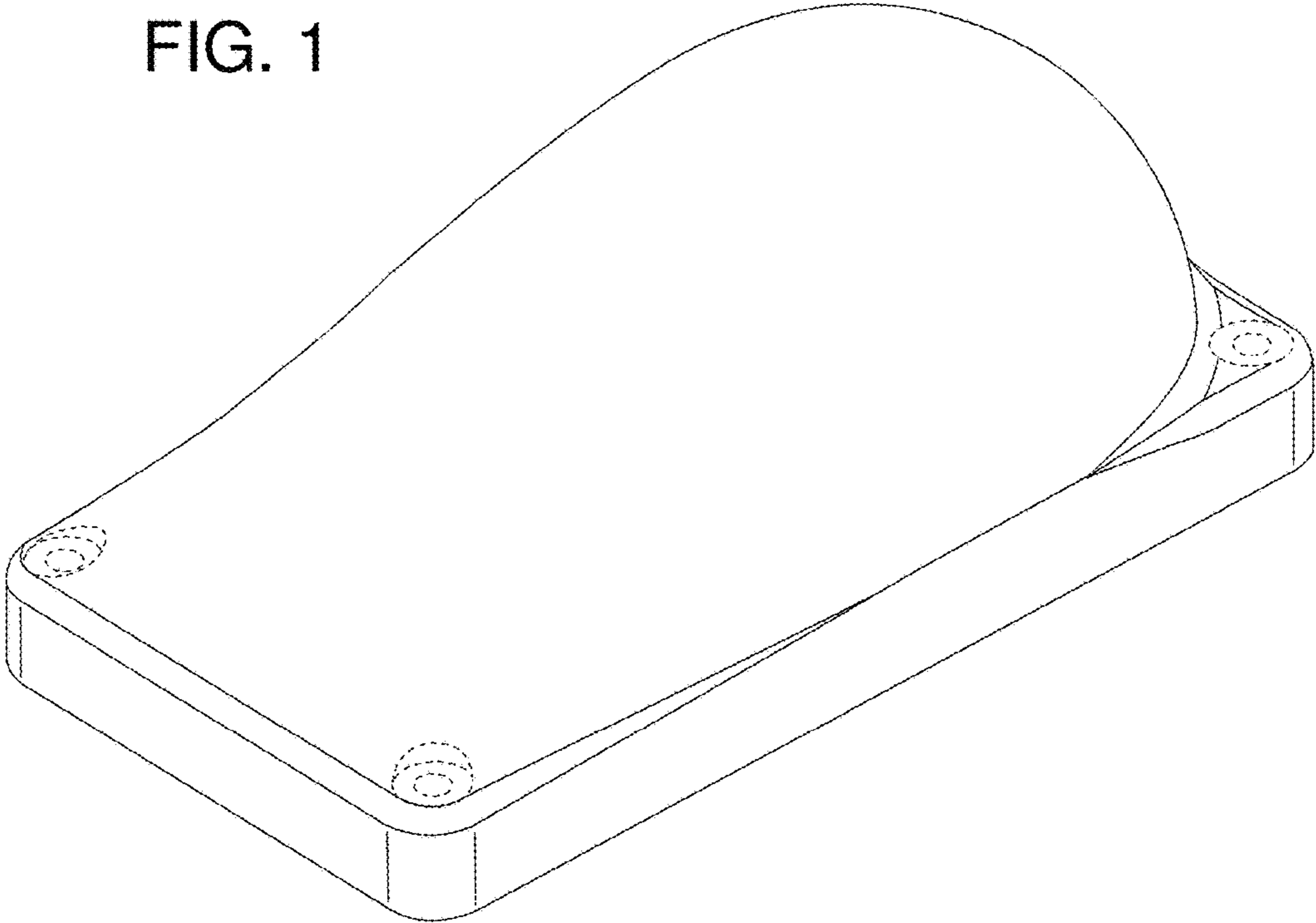


FIG. 2

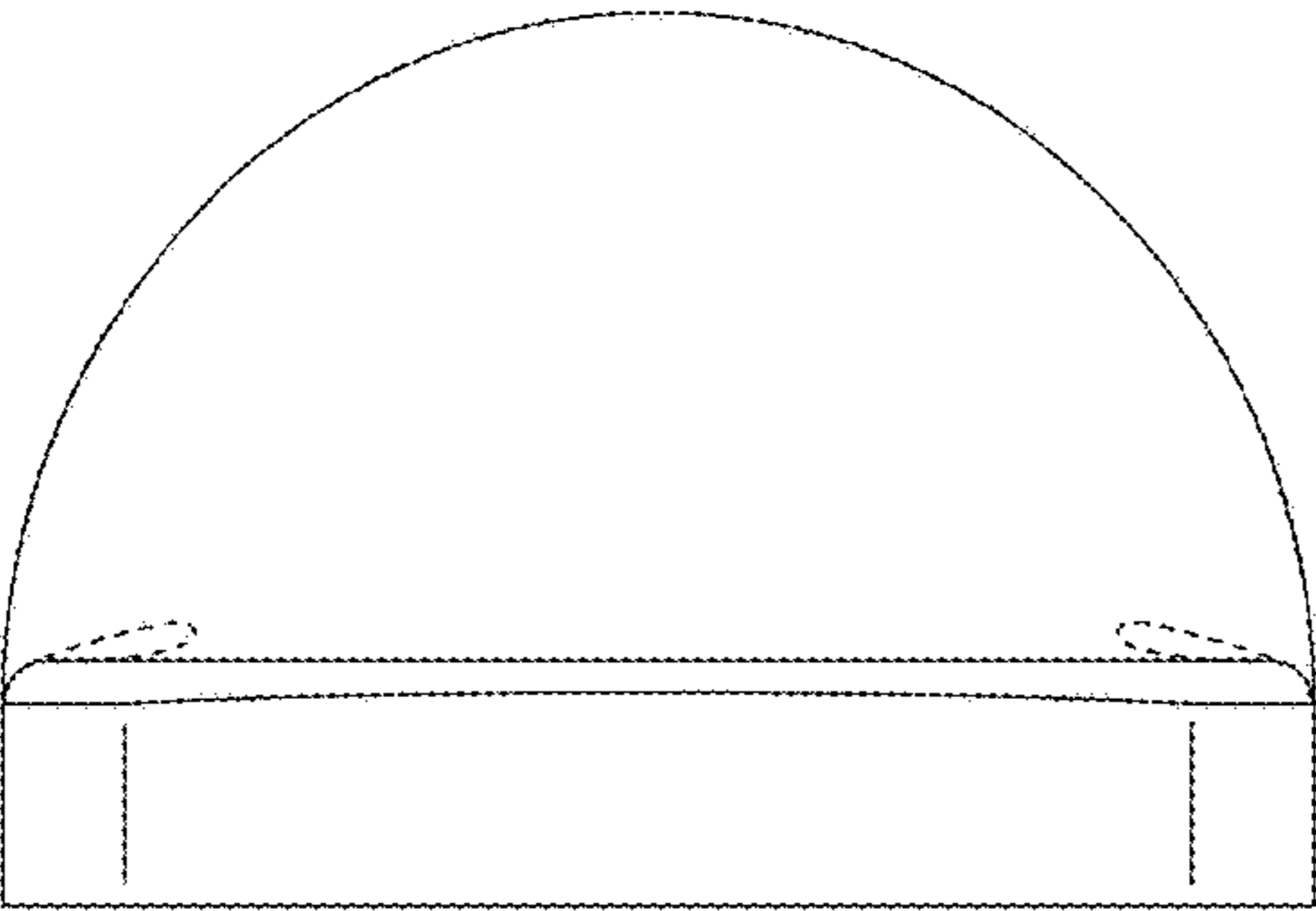


FIG. 3

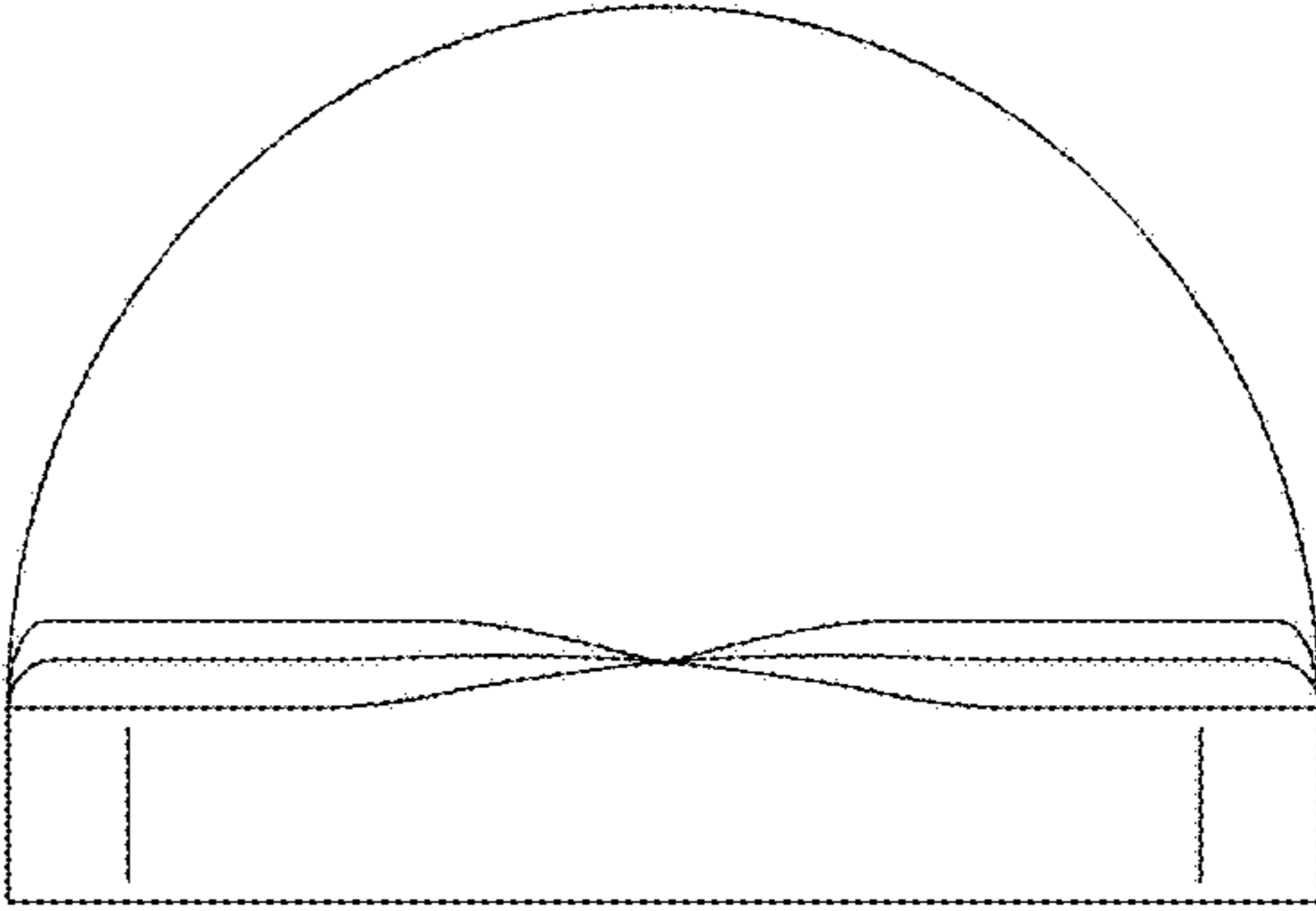


FIG. 4

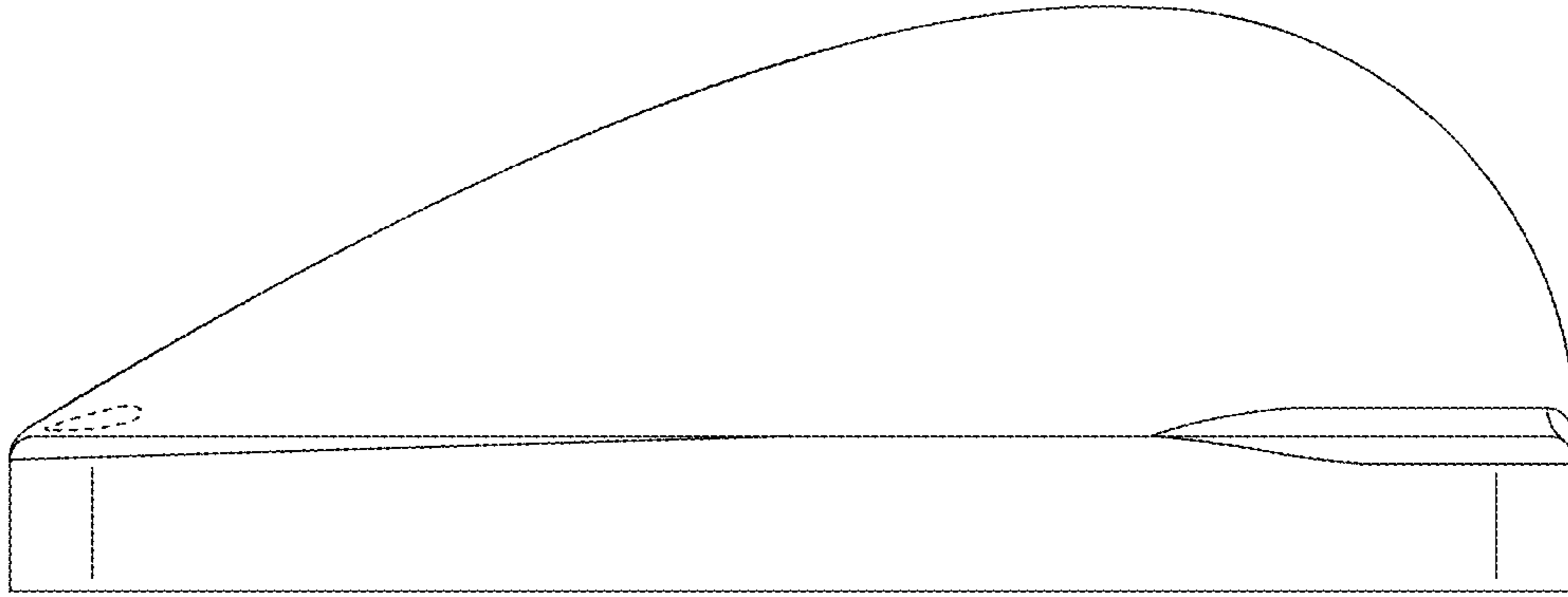


FIG. 5

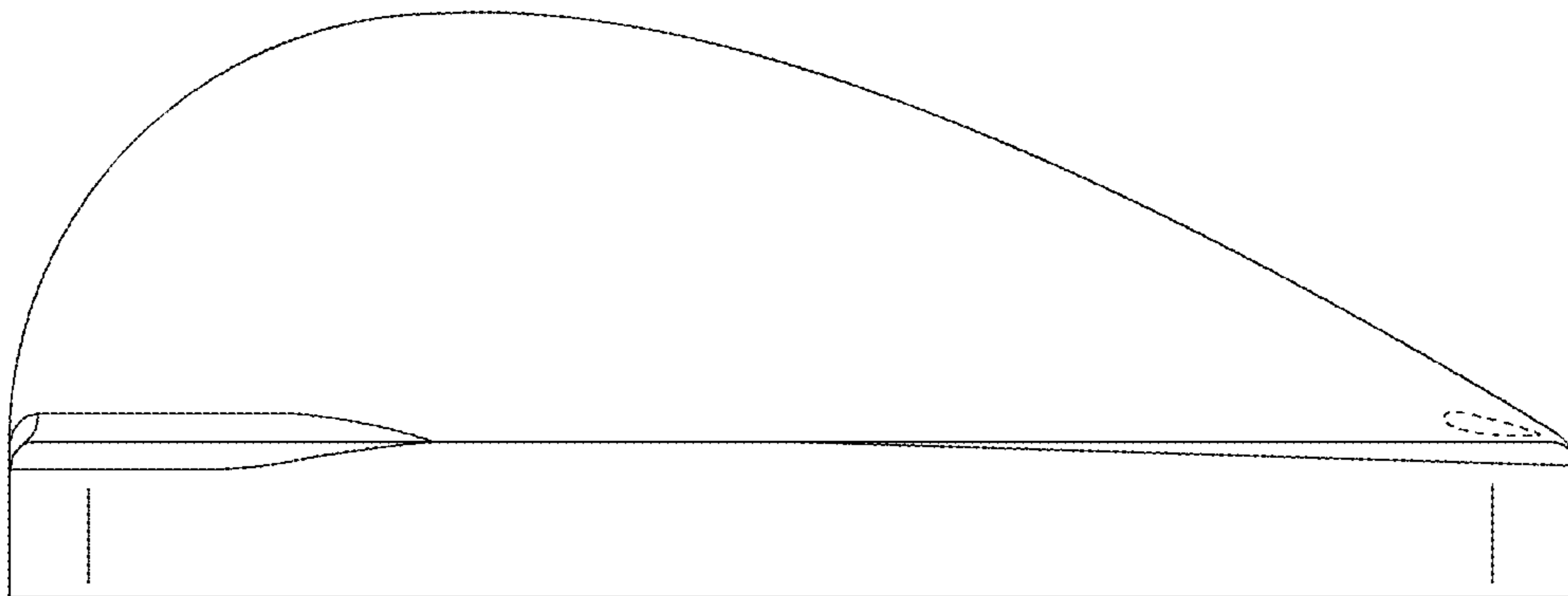


FIG. 6

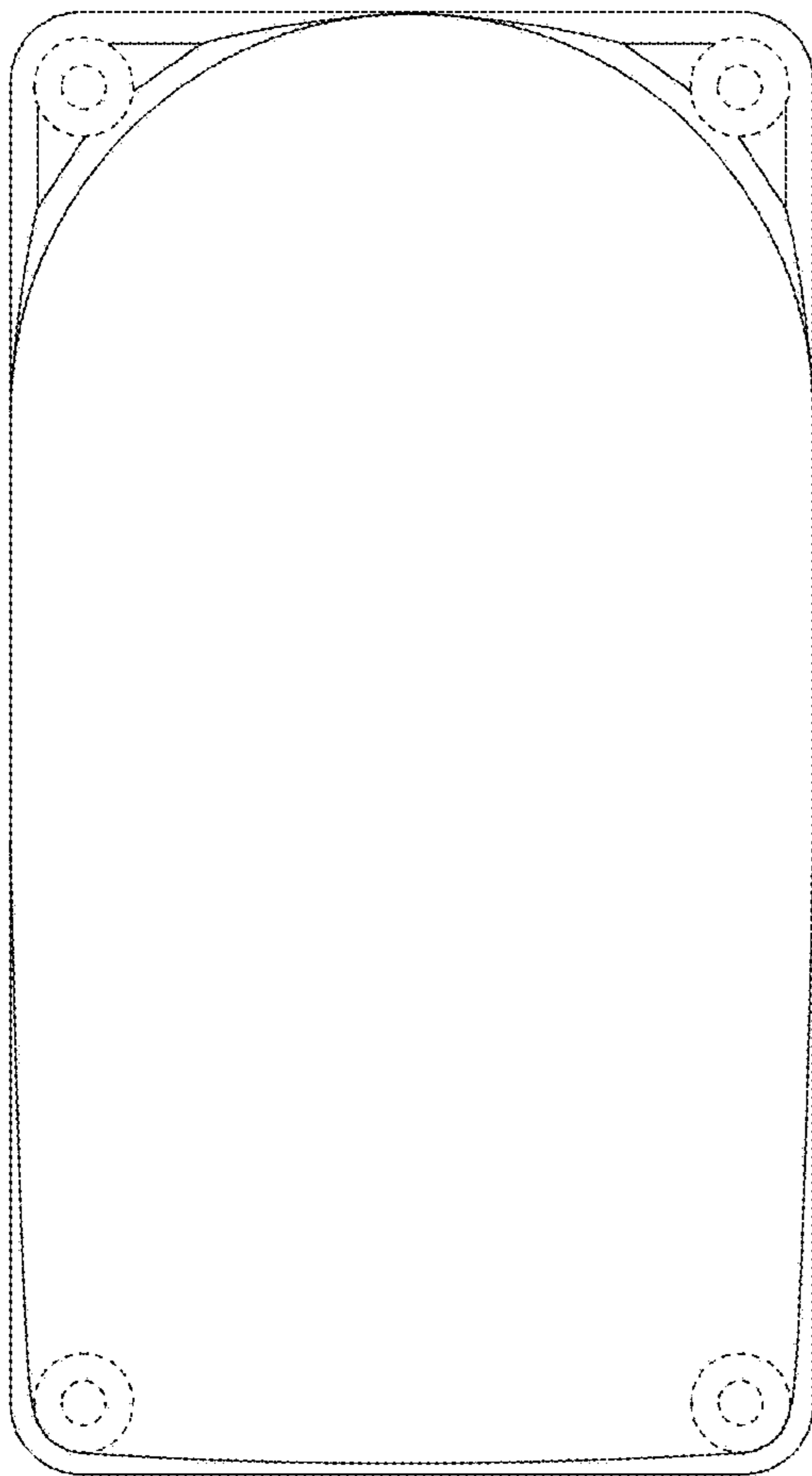


FIG. 7

