



US00D775536S

(12) **United States Design Patent**
Martin

(10) **Patent No.:** **US D775,536 S**
(45) **Date of Patent:** **** Jan. 3, 2017**

(54) **PITOT PROBE**
(71) Applicant: **THALES AVIONICS SAS,**
Velizy-Villacoublay (FR)
(72) Inventor: **Frédéric Martin,** Vendôme (FR)
(73) Assignee: **THALES AVIONICS SAS,**
Vélizy-Villacoublay (FR)
(**) Term: **15 Years**

5,127,265 A * 7/1992 Williamson B64F 1/005
150/154
6,813,942 B1 * 11/2004 Vozhdaev G01P 13/025
73/170.02
6,892,584 B2 * 5/2005 Gilkison G01P 5/165
73/1.29
7,549,331 B1 * 6/2009 Powell G01P 5/165
73/170.02
8,132,471 B2 * 3/2012 DeGroff B64F 1/005
73/861.65
D747,985 S * 1/2016 DeRosa D10/53

* cited by examiner

(21) Appl. No.: **35/500,174**

(22) Filed: **Sep. 21, 2015**

Primary Examiner — George D Kirschbaum

(80) **Hague Agreement Data**

Int. Filing Date: **Sep. 1, 2015**
Int. Reg. No.: **DM/087625**
Int. Reg. Date: **Sep. 21, 2015**
Int. Reg. Pub. Date: **Oct. 9, 2015**

(57) **CLAIM**

The ornamental design for a PITOT probe, as shown and described.

(51) **LOC (10) Cl.** **10-04**

(52) **U.S. Cl.**
USPC **D10/53**

DESCRIPTION

(58) **Field of Classification Search**
USPC D10/53
CPC G01P 5/165; G01P 13/025; G01L 19/0007;
B64F 1/005
See application file for complete search history.

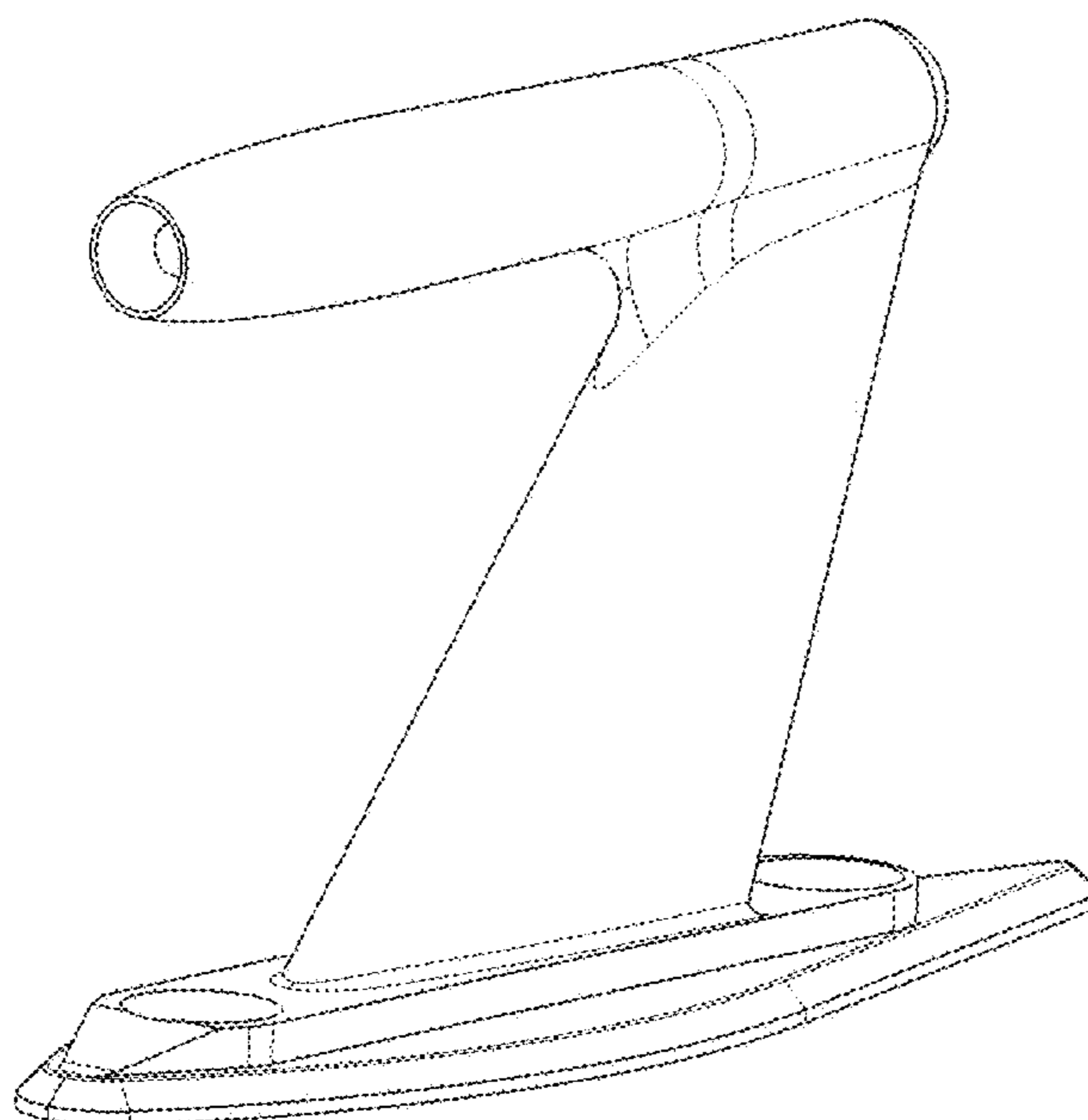
- 1. PITOT probe
- 1.1 : Back
- 1.2 : Left
- 1.3 : Front
- 1.4 : Bottom
- 1.5 : Right
- 1.6 : Top
- 1.7 : Perspective

(56) **References Cited**

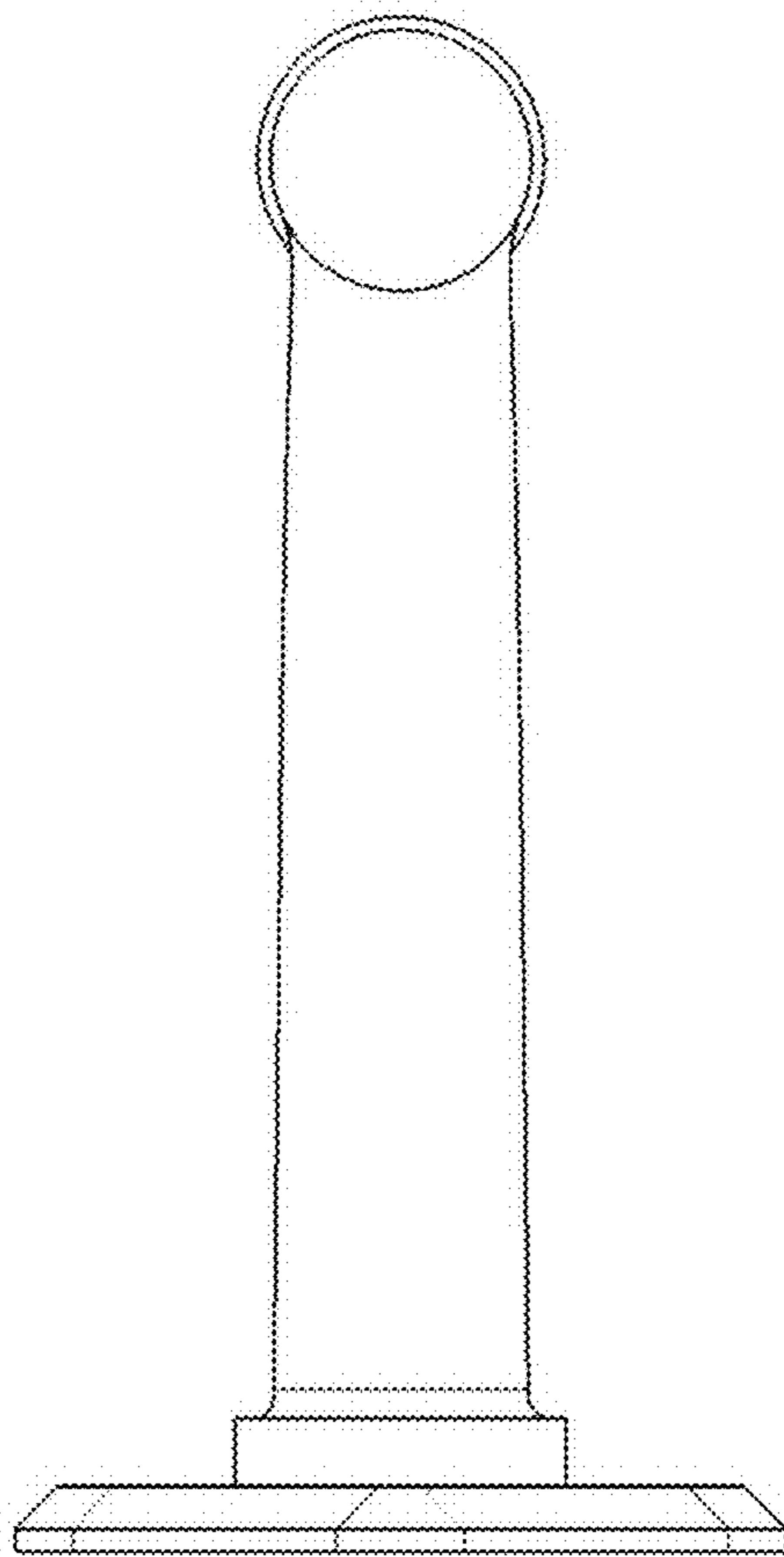
U.S. PATENT DOCUMENTS

4,275,603 A * 6/1981 Kalocsay G01P 5/165
165/104.26
4,718,273 A * 1/1988 McCormack G01L 19/0007
73/180

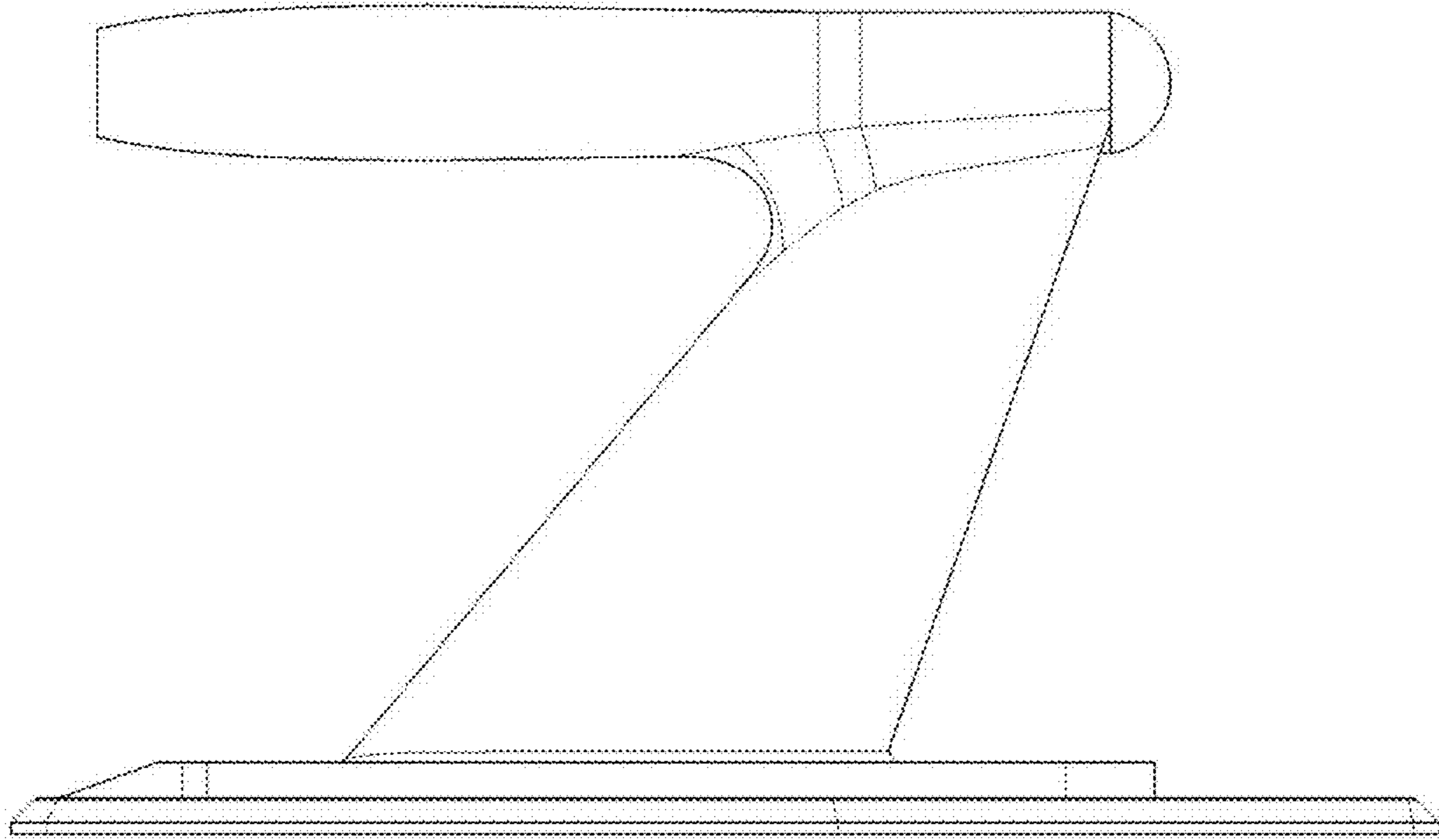
1 Claim, 7 Drawing Sheets



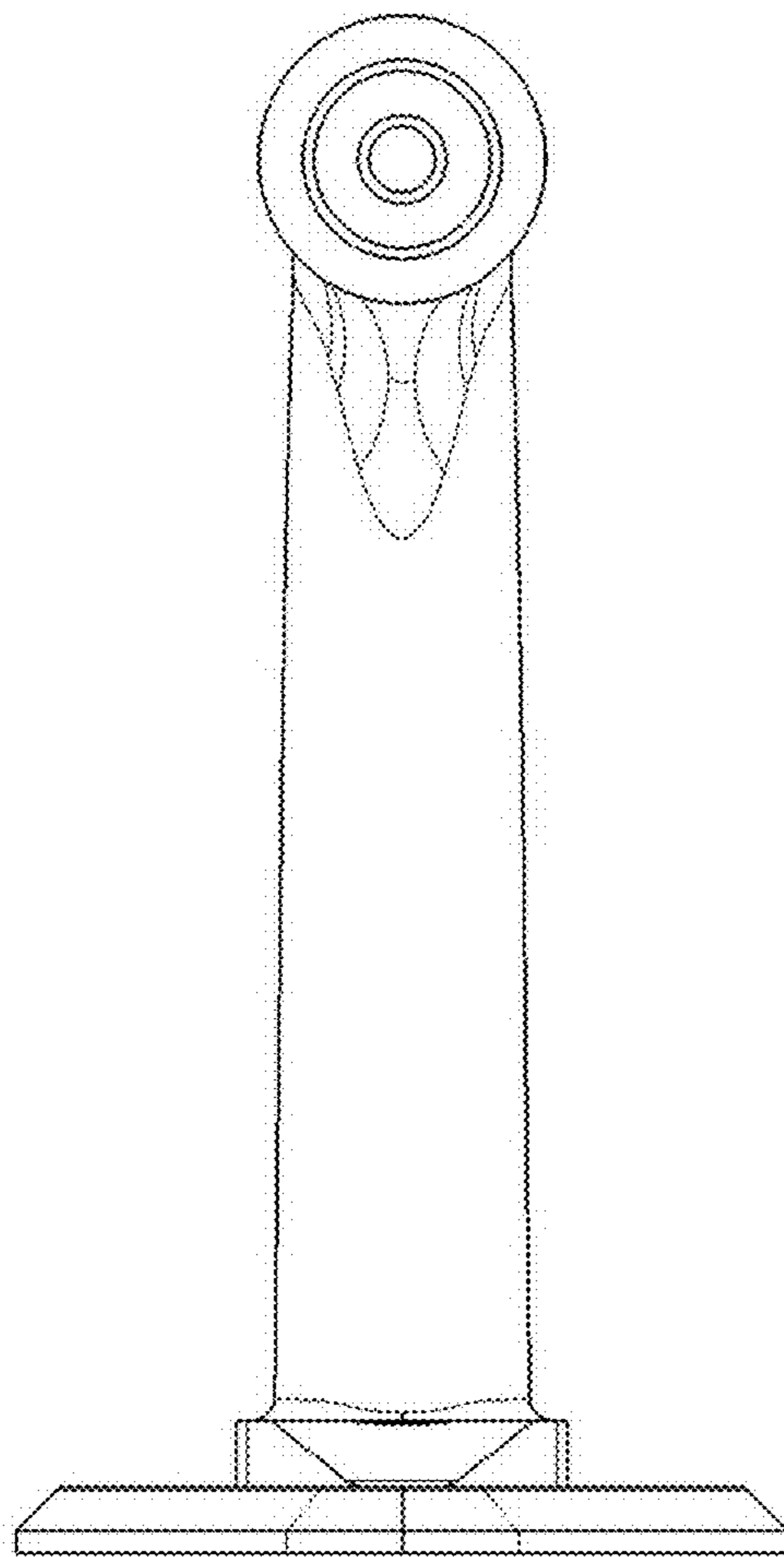
1.1



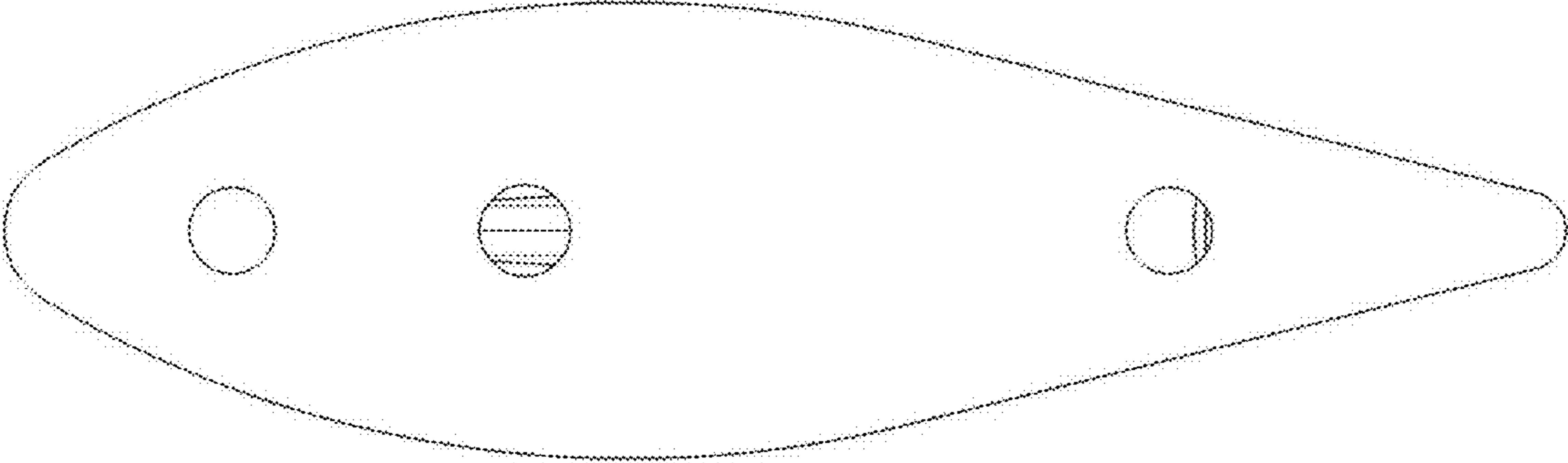
1.2



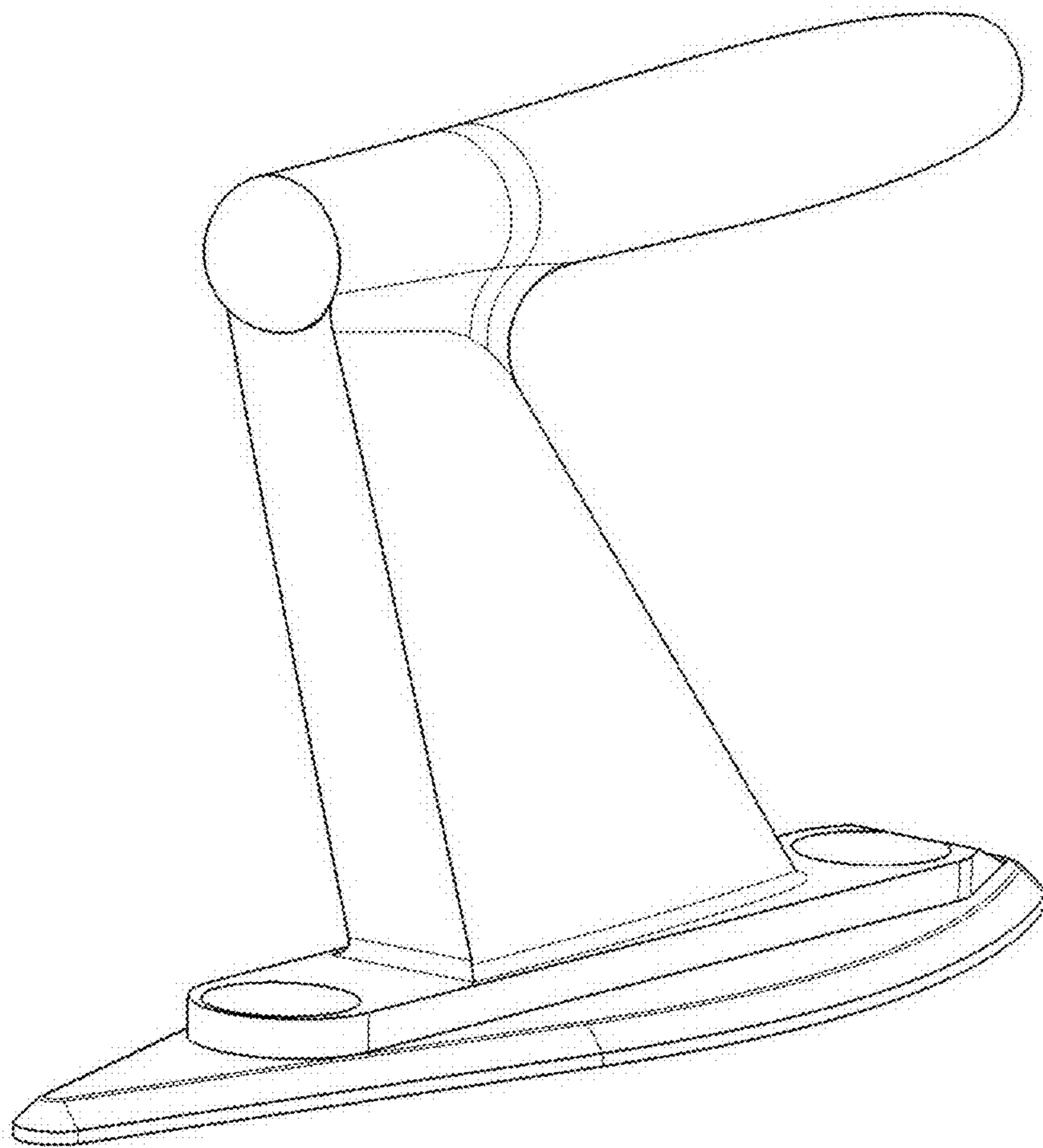
1.3



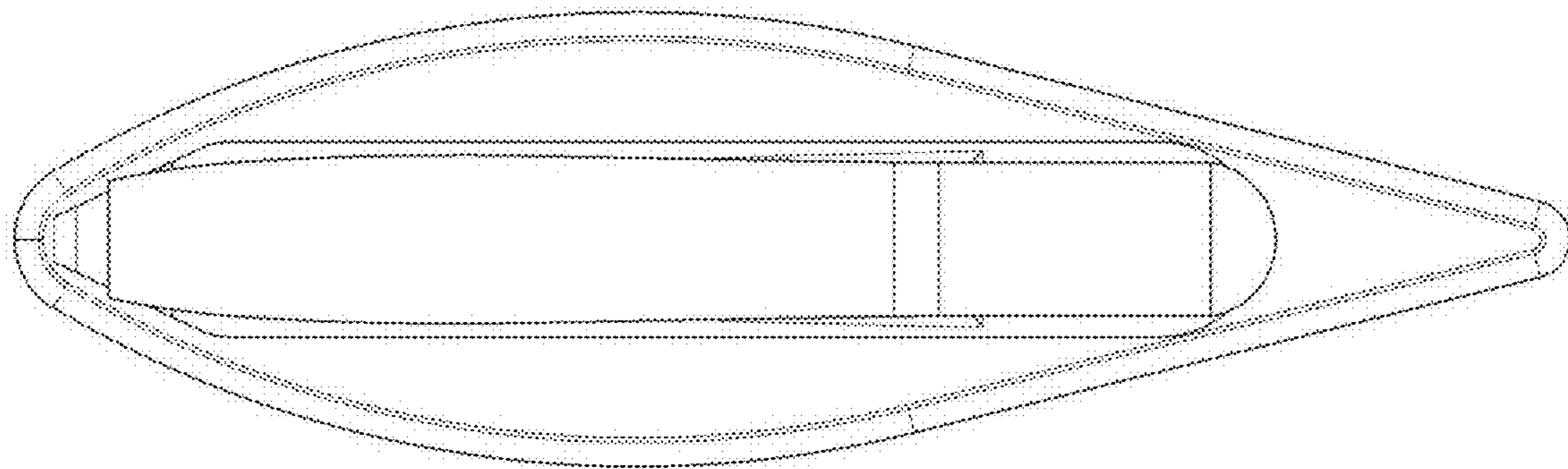
14



1.5



1.6



1.7

