



US00D775535S

(12) **United States Design Patent**
Handa

(10) **Patent No.:** **US D775,535 S**

(45) **Date of Patent:** **** Jan. 3, 2017**

- (54) **WATCH CASE WITH BAND**
- (71) Applicant: **SEIKO WATCH KABUSHIKI KAISHA**, Chuo-ku, Tokyo (JP)
- (72) Inventor: **Makiko Handa**, Tokyo (JP)
- (73) Assignee: **Seiko Watch Kabushiki Kaisha** (JP)
- (**) Term: **15 Years**
- (21) Appl. No.: **29/548,732**
- (22) Filed: **Dec. 16, 2015**
- (51) **LOC (10) Cl.** **10-02**
- (52) **U.S. Cl.**
USPC **D10/32; D10/38; D11/13**
- (58) **Field of Classification Search**
USPC D10/38, 10-29, 122-132, 39; D11/3, 4, D11/5, 13
CPC G04B 19/00; G04B 19/24; G04B 37/00; G04B 37/0058; G04B 37/08; G04B 37/081; G04B 19/18; G04B 37/1486; G04B 47/04; G04B 45/0069; G04B 47/00; B04B 37/0008; A44C 5/00; A44C 5/02
See application file for complete search history.

D418,066 S *	12/1999	Modolo	D10/39
D456,720 S *	5/2002	Brzezinski	D10/30
D473,478 S *	4/2003	d'Origny	D10/39
D521,406 S *	5/2006	Strasser	D10/32
D577,613 S *	9/2008	Rochat	D10/38
D585,307 S *	1/2009	Modolo	D10/32
D586,239 S *	2/2009	Modolo	D10/32
D613,637 S *	4/2010	Grassi Damiani	D11/13
D624,842 S *	10/2010	Marks	D11/26
D629,312 S *	12/2010	Laucella	D10/39
D638,724 S *	5/2011	Laucella	D10/39
D681,482 S *	5/2013	Ramos, Jr.	D10/38
D716,154 S *	10/2014	Harada	D10/32
D719,865 S *	12/2014	Yatsugi-Kang	D11/3
D727,178 S *	4/2015	Abdourahim	D10/39
D729,105 S *	5/2015	Stegmann	D11/12
D759,505 S *	6/2016	Harada	D10/32
D766,740 S *	9/2016	Voirin	D10/30

* cited by examiner

Primary Examiner — Sheryl Lane
Assistant Examiner — Samantha Wood
(74) *Attorney, Agent, or Firm* — Saidman DesignLaw Group, LLC

(57) **CLAIM**

The ornamental design for a watch case with band, as shown and described.

DESCRIPTION

FIG. 1 is a perspective view of a watch case with band showing my new design;
FIG. 2 is a front elevational view thereof;
FIG. 3 is a rear elevational view thereof;
FIG. 4 is a left side elevational view thereof;
FIG. 5 is a right side elevational view thereof;
FIG. 6 is a top plan view thereof; and,
FIG. 7 is a bottom plan view thereof.

1 Claim, 5 Drawing Sheets

(56) **References Cited**

U.S. PATENT DOCUMENTS

D152,869 S *	3/1949	Chernow	D11/15
4,056,928 A *	11/1977	de Vries	A44C 11/00
				59/83
D317,577 S *	6/1991	Eiss	D10/30
D319,790 S *	9/1991	Burgener	D10/32
D321,664 S *	11/1991	Kennedy	D10/128
D391,868 S *	3/1998	Brzezinski	D10/30
D413,070 S *	8/1999	Charriol	D10/30

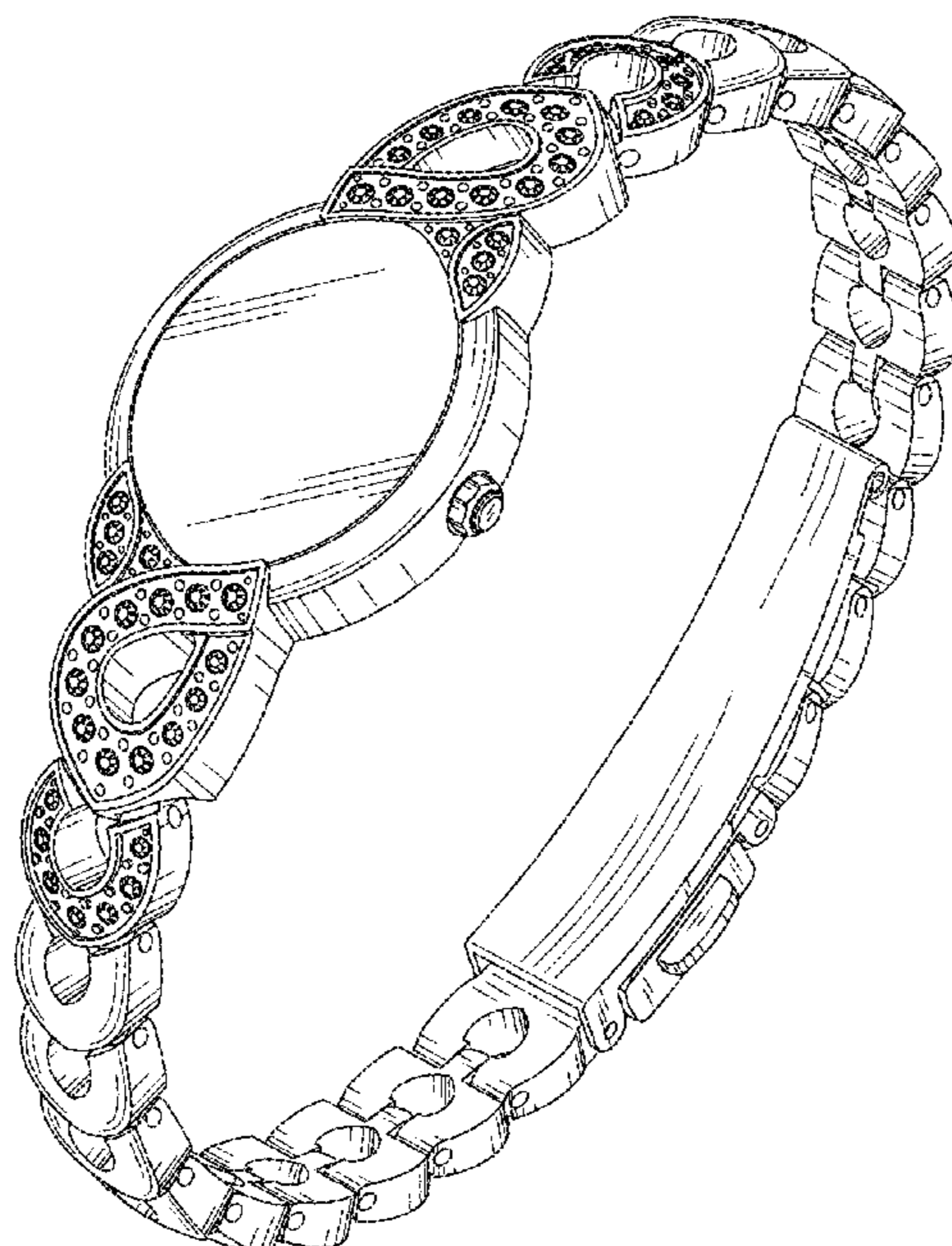


Fig. 1



Fig.2

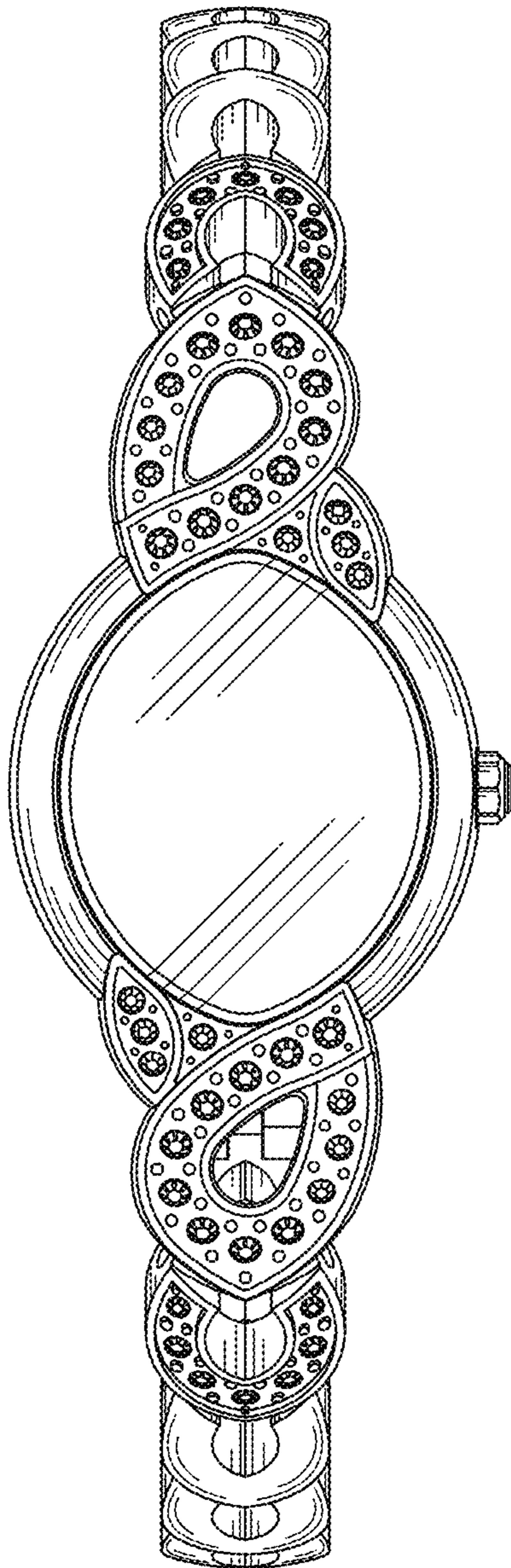


Fig.3

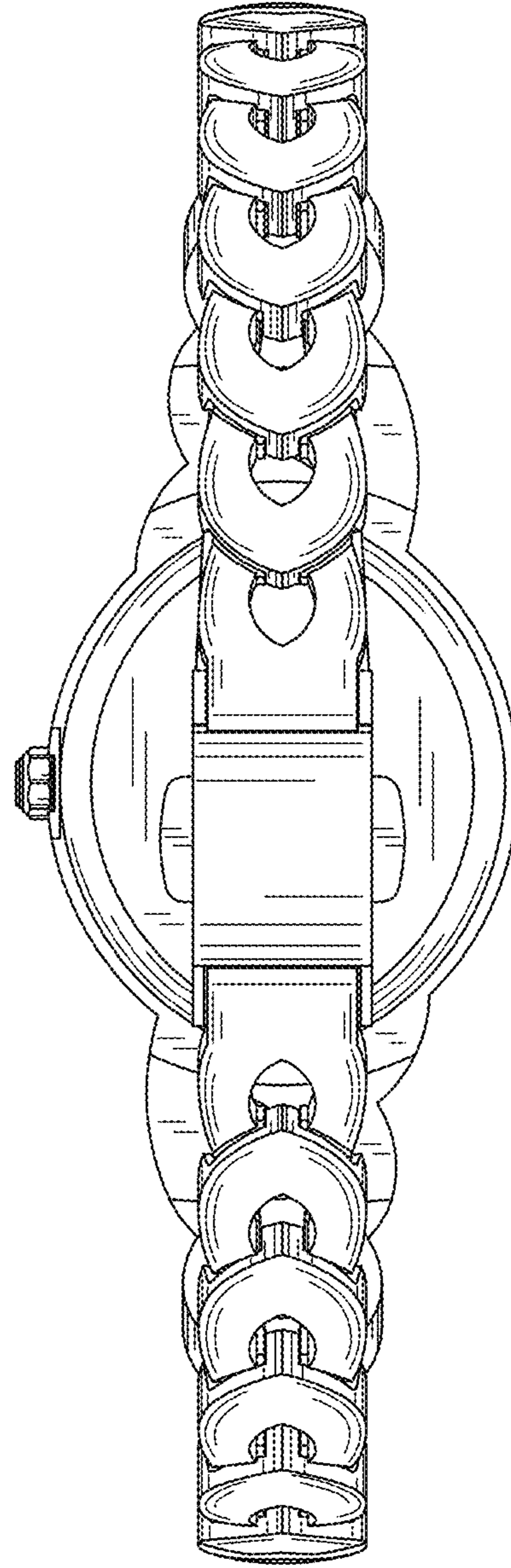


Fig.4

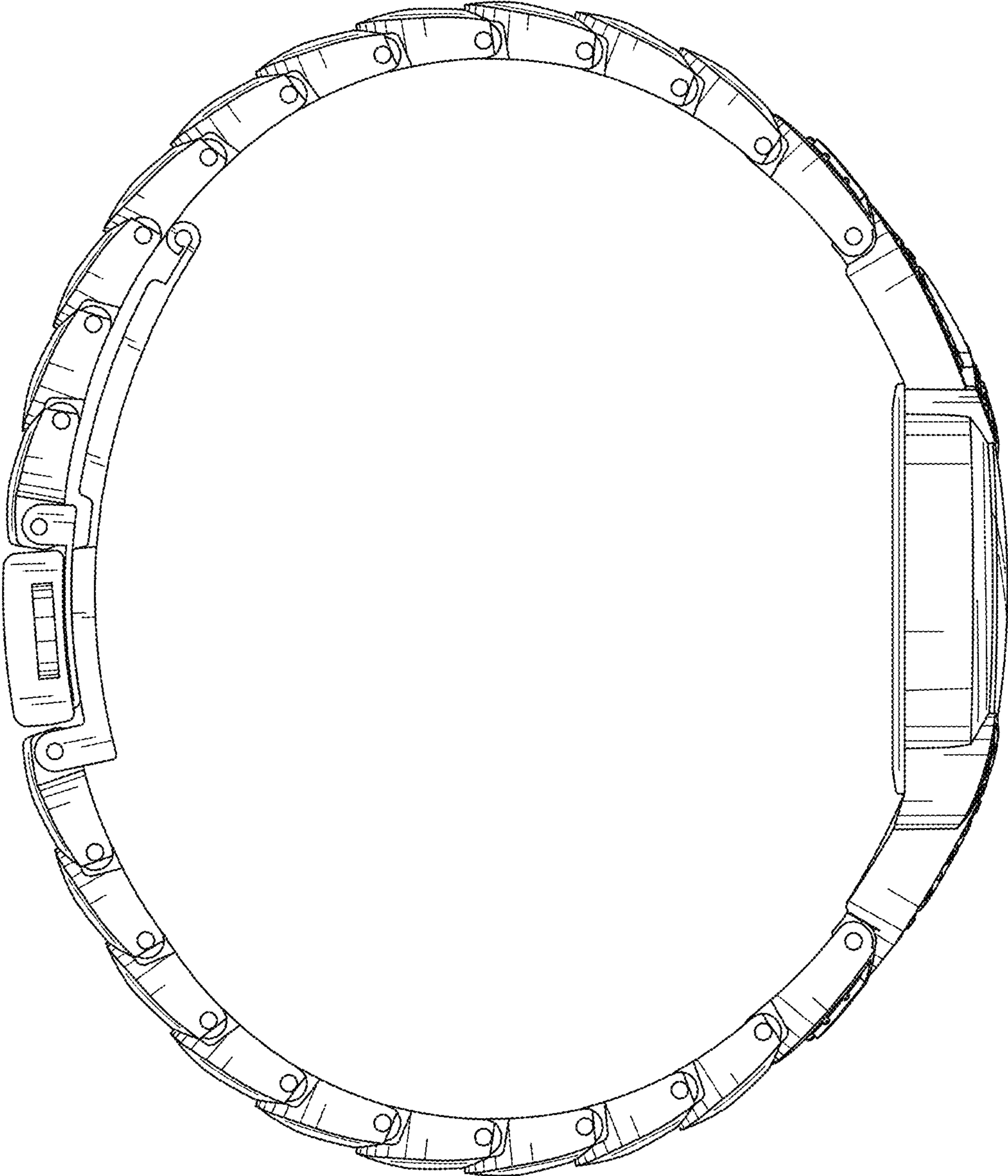


Fig.5

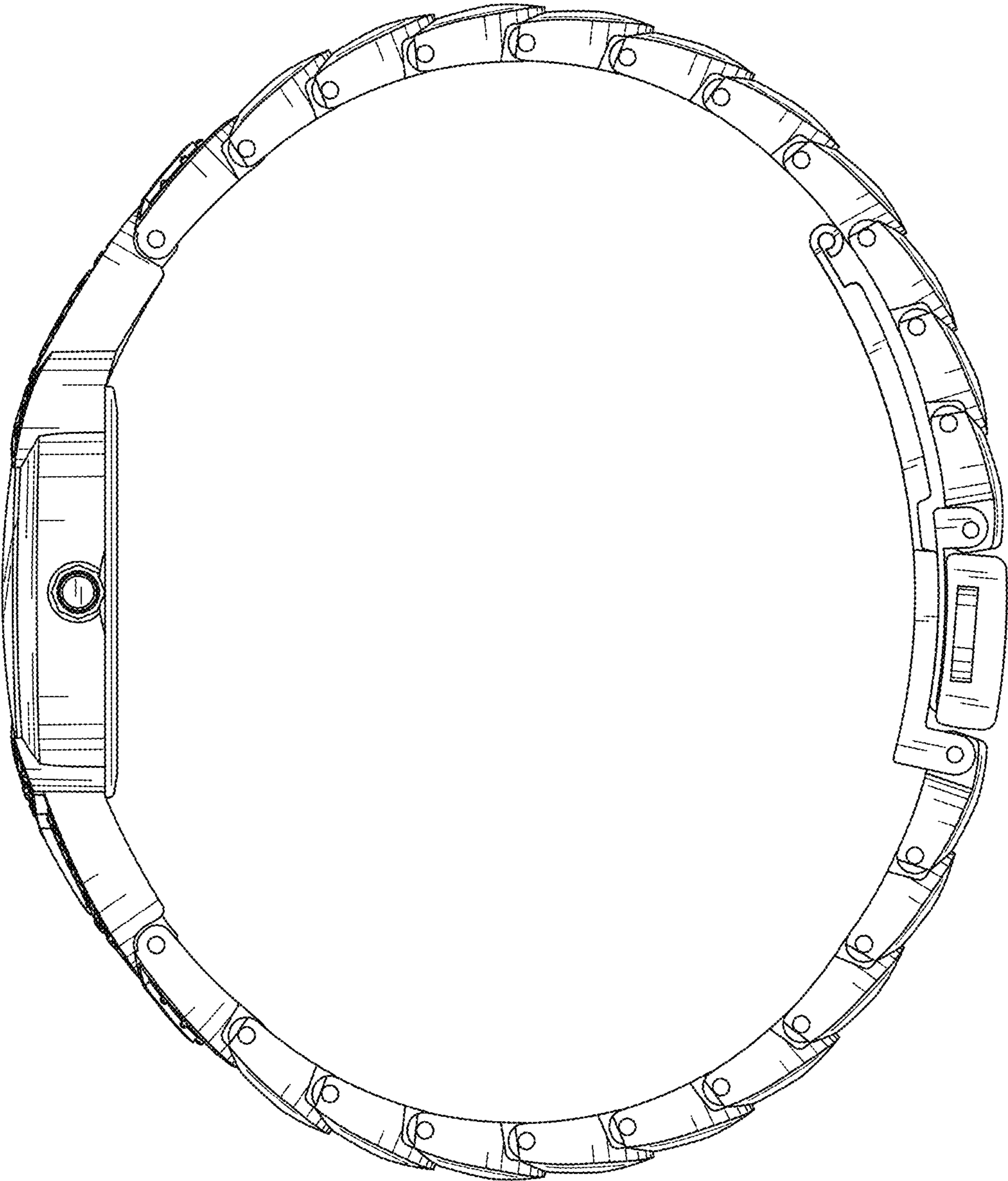


Fig.6

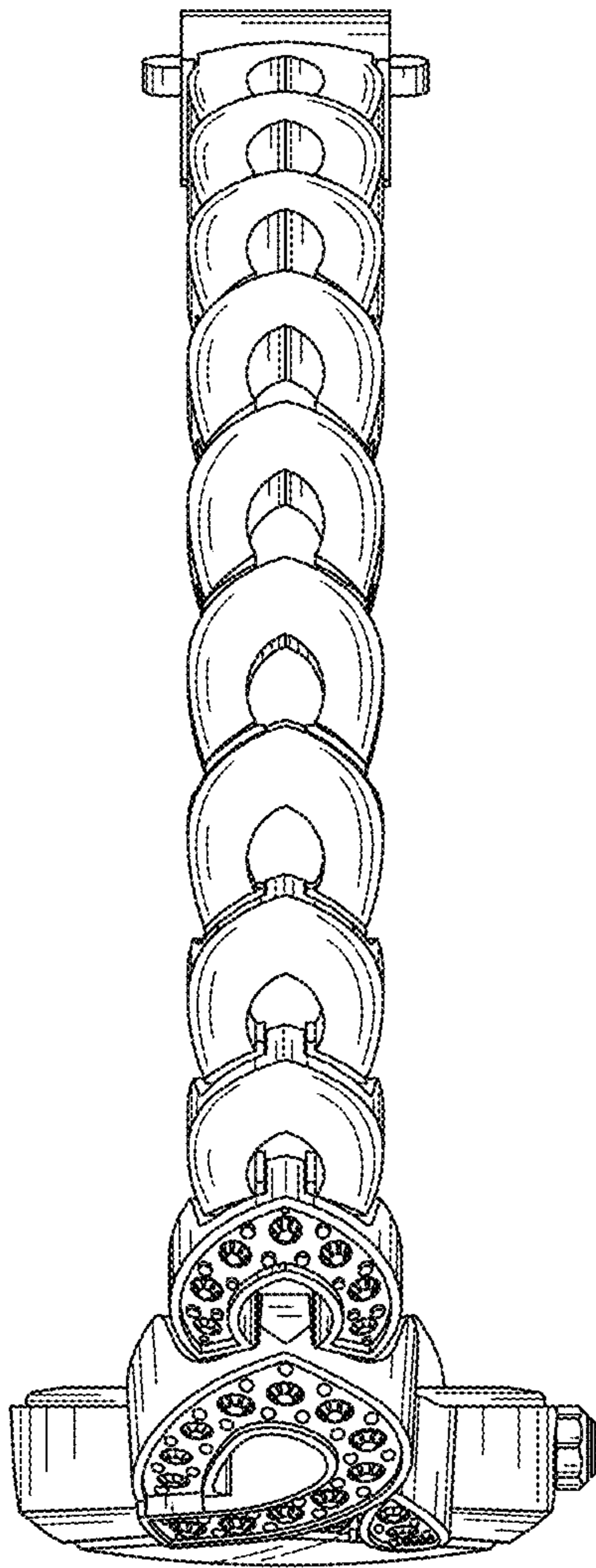


Fig.7

