



US00D775526S

(12) **United States Design Patent**  
**Tanaka et al.**

(10) **Patent No.:** **US D775,526 S**  
(45) **Date of Patent:** **\*\* Jan. 3, 2017**

(54) **BOTTLE**

(71) Applicant: **Takara Shuzo Co., Ltd.**, Kyoto (JP)  
(72) Inventors: **Hideki Tanaka**, Tokyo (JP); **Yoshiharu Tsukino**, Kyoto (JP); **Susumu Uruno**, Kyoto (JP)  
(73) Assignee: **Takara Shuzo Co., Ltd.**, Kyoto-shi, Kyoto (JP)

(\*\*) Term: **14 Years**

(21) Appl. No.: **29/499,649**

(22) Filed: **Aug. 18, 2014**

**Related U.S. Application Data**

(62) Division of application No. 29/407,600, filed on Nov. 30, 2011, now Pat. No. Des. 714,155.

(30) **Foreign Application Priority Data**

May 30, 2011 (JP) ..... 2011-012111  
May 30, 2011 (JP) ..... 2011-012112

(51) **LOC (10) Cl.** ..... **09-01**

(52) **U.S. Cl.**  
USPC ..... **D9/516; D9/552; D9/571; D9/573**

(58) **Field of Classification Search**  
USPC ..... D9/775, 516, 529, 537-541, 545, 549, D9/552, 556, 559, 565, 571, 574-575; 215/375, 381-385; 220/675; D28/76, 85, D28/88

See application file for complete search history.

(56) **References Cited**

**U.S. PATENT DOCUMENTS**

D20,059 S \* 7/1890 Irwin ..... D9/552  
D69,462 S \* 2/1926 Sears ..... D9/552 X

D155,868 S \* 11/1949 Braun ..... D9/565 X  
D174,646 S \* 5/1955 Lorenzen ..... D9/552  
D185,296 S \* 5/1959 Mas ..... D9/539 X  
D195,063 S \* 4/1963 Lilling ..... D9/541 X  
D212,276 S \* 9/1968 Lodding et al. .... D9/538  
D216,361 S \* 12/1969 Pappas ..... D9/538  
3,495,736 A \* 2/1970 Ragetti ..... A47J 47/18  
220/670 X  
D230,136 S \* 1/1974 Strand ..... D9/552  
D264,434 S \* 5/1982 Pettengill ..... D9/545 X  
D291,656 S \* 9/1987 Bussell ..... D9/552  
D305,984 S \* 2/1990 Alberghini ..... D9/552 X  
D358,547 S \* 5/1995 Darr ..... D9/559 X

(Continued)

*Primary Examiner* — Carol P Rademaker

(74) *Attorney, Agent, or Firm* — Muncy, Geissler, Olds & Lowe, P.C.

(57) **CLAIM**

The ornamental design for a bottle, as shown and described.

**DESCRIPTION**

FIG. 1 is a front elevational view of a bottle according to the claimed design, the rear elevational view being identical except for the unclaimed threads.

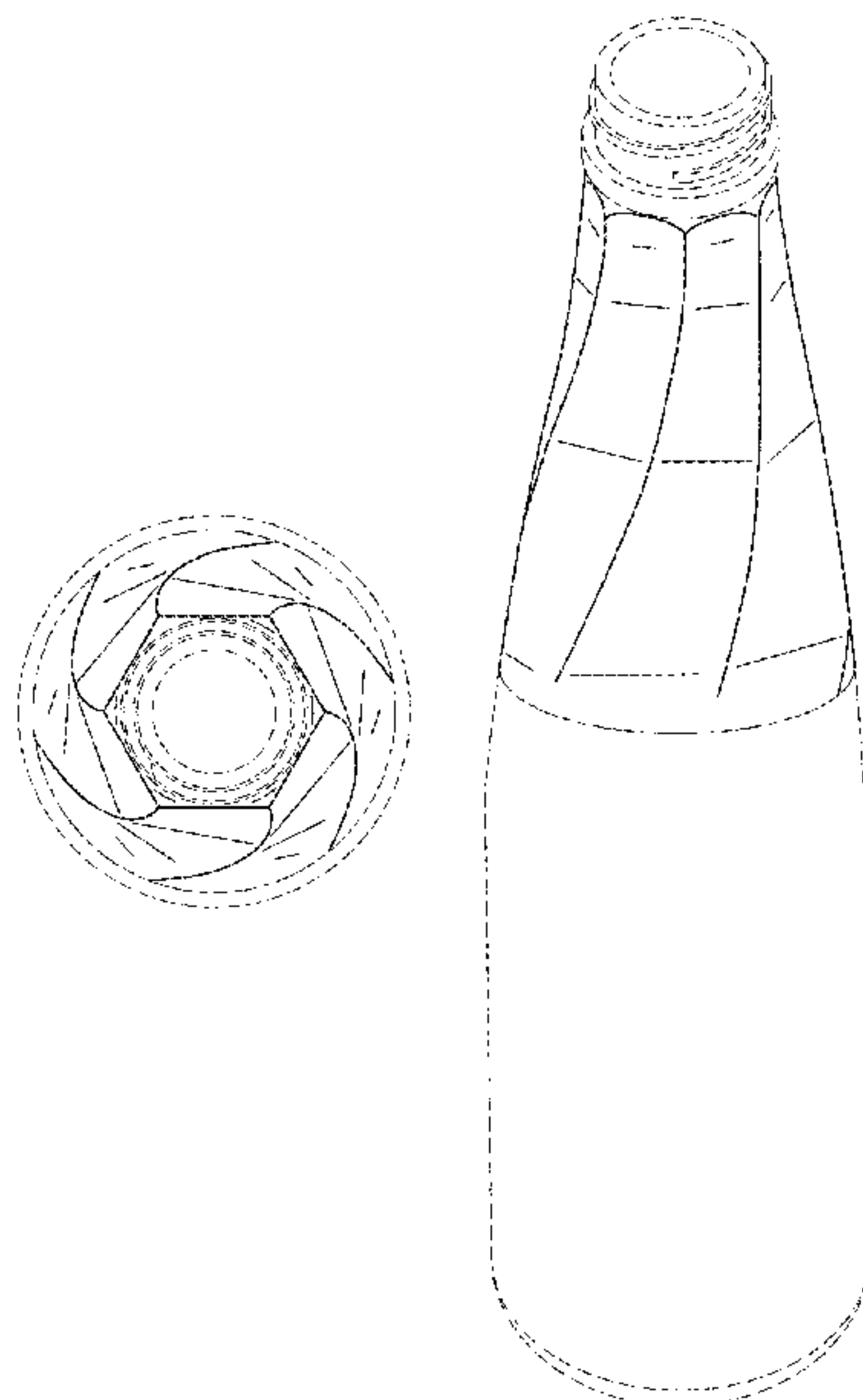
FIG. 2 is a left side elevational view of the bottle of FIG. 1, the right side elevational view being identical except for the unclaimed threads.

FIG. 3 is a top plan view thereof; and, FIG. 4 is a top, front and left side perspective view thereof.

The dash-dash-dash-dash type broken lines shown in the drawings are included for the purpose of illustrating portions of the bottle that form no part of the claimed design.

The dot-dash-dot-dash type broken lines shown in the drawings represent the boundaries of the claimed design.

**1 Claim, 4 Drawing Sheets**



(56)

**References Cited**

U.S. PATENT DOCUMENTS

5,593,056	A *	1/1997	Mero	.....	B65D 1/0223	
					215/382	X
D380,356	S *	7/1997	Husted	.....	D9/552	X
5,785,197	A *	7/1998	Slat	.....	B65D 1/0284	
					215/375	X
D423,722	S *	4/2000	Lang	.....	D28/76	
D474,977	S *	5/2003	Yourist	.....	D9/538	
D486,694	S *	2/2004	McMullin	.....	D7/529	
D522,873	S *	6/2006	Forget	.....	D9/552	
D546,697	S *	7/2007	Schnipper	.....	D9/529	
D594,344	S *	6/2009	Walsh	.....	D9/574	X
D675,535	S *	2/2013	Nomura	.....	D9/571	X
D689,773	S *	9/2013	Nomura	.....	D9/571	X
2013/0082025	A1 *	4/2013	Jung	.....	B65D 1/0223	
					215/382	

\* cited by examiner

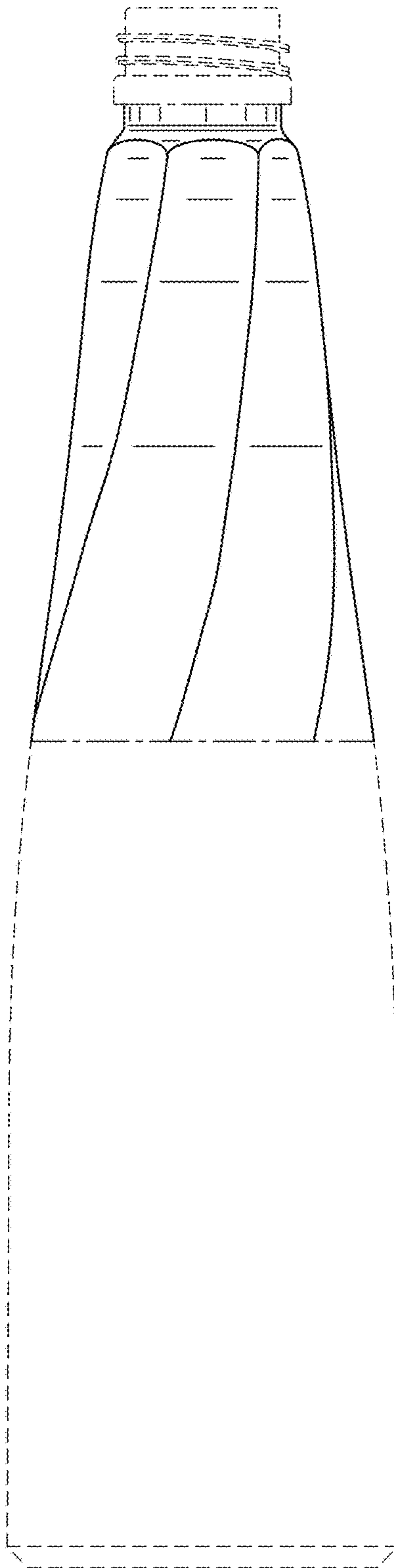


FIG.1

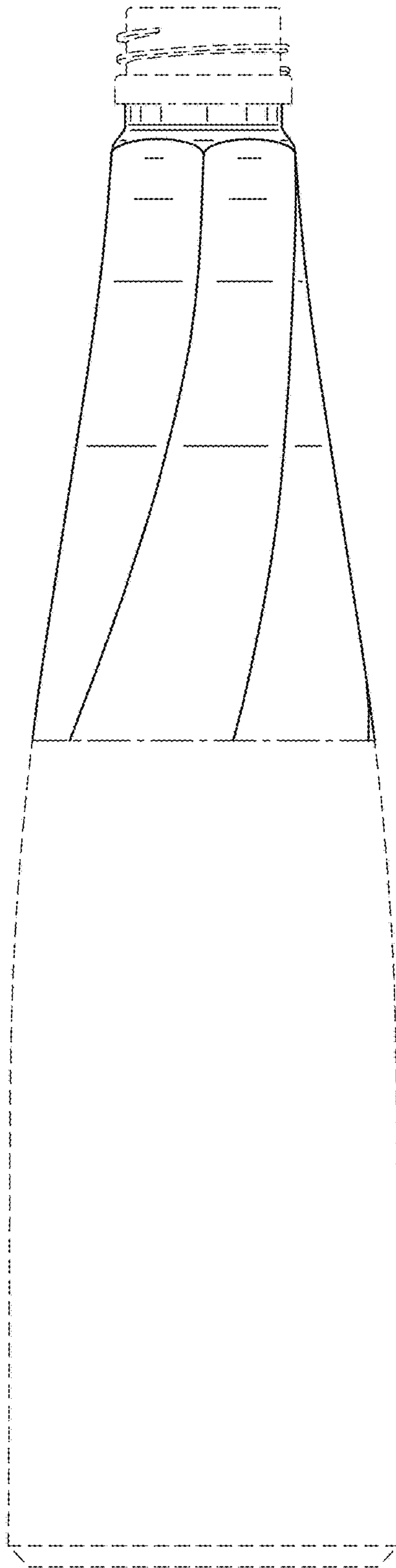


FIG.2

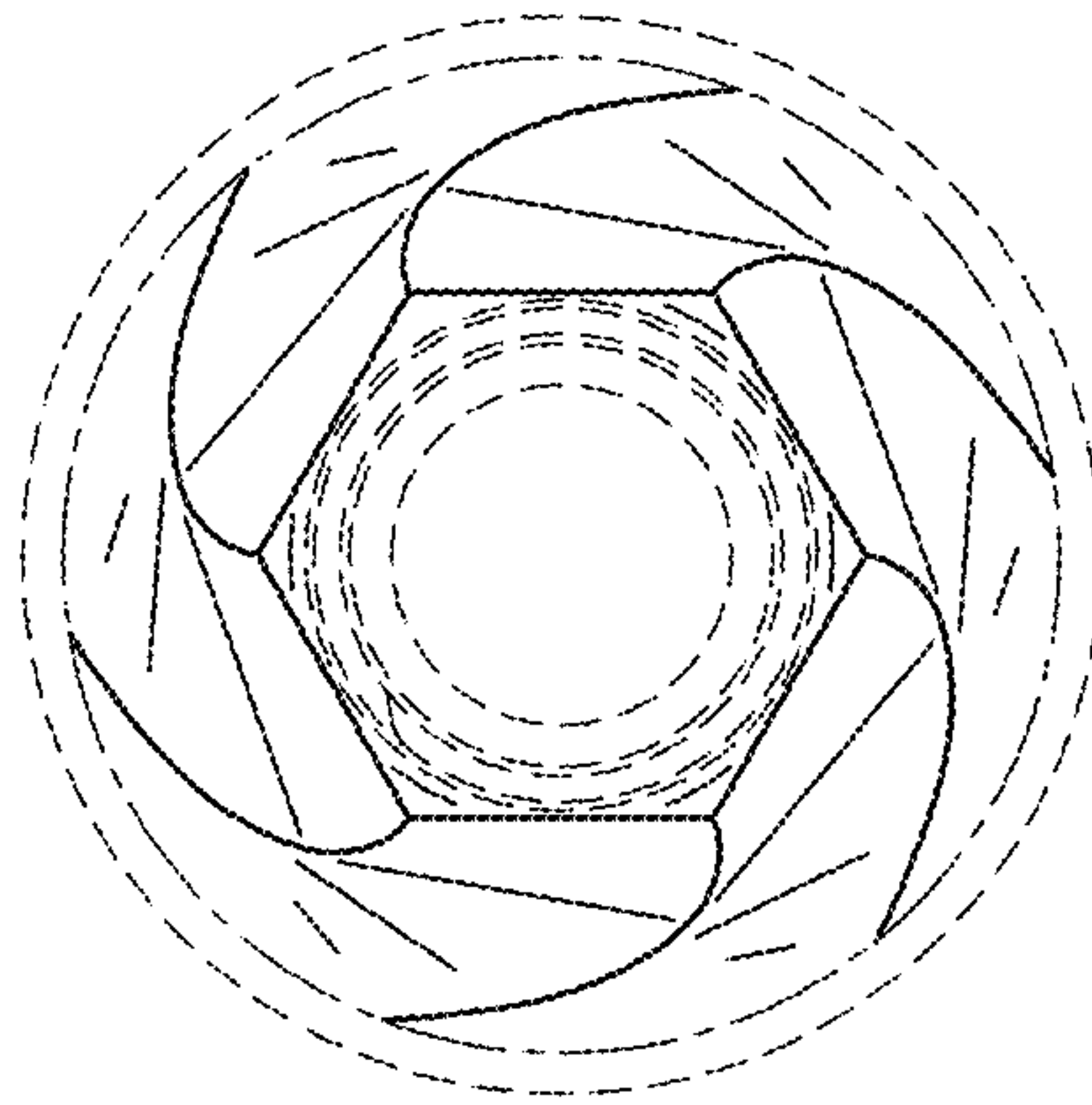


FIG. 3

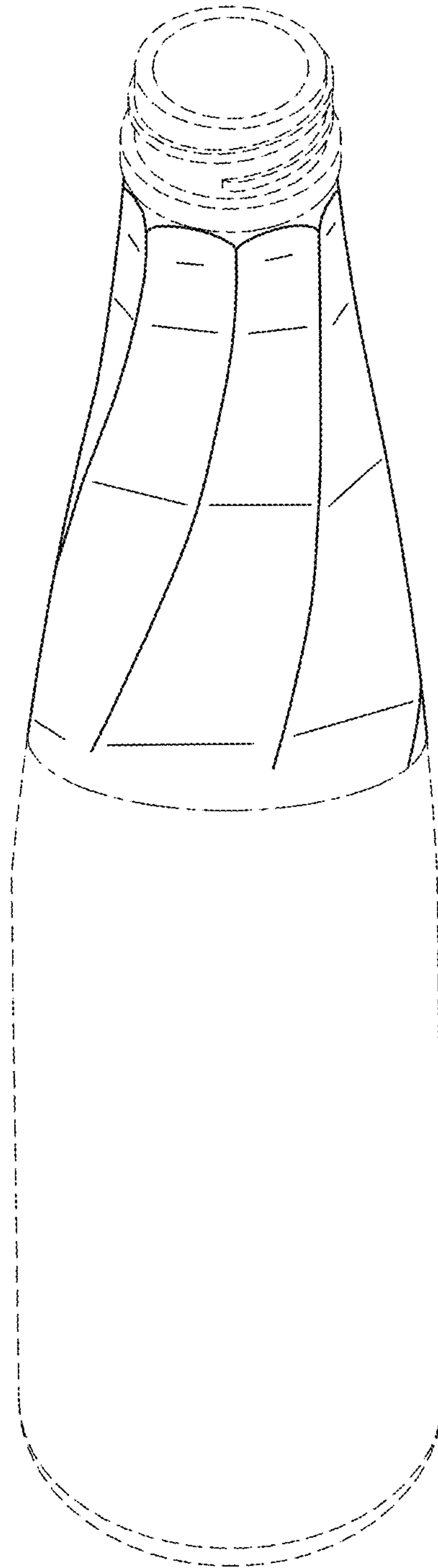


FIG.4