



US00D775525S

(12) **United States Design Patent**  
**Stryker et al.**

(10) **Patent No.:** **US D775,525 S**

(45) **Date of Patent:** **\*\* Jan. 3, 2017**

(54) **DISPENSING LID**

(71) Applicants: **Douglas G. Stryker**, Flemington, NJ  
(US); **Lonnie S. Lauer**, Quinton, VA  
(US)

(72) Inventors: **Douglas G. Stryker**, Flemington, NJ  
(US); **Lonnie S. Lauer**, Quinton, VA  
(US)

(\*\*) Term: **15 Years**

(21) Appl. No.: **29/528,092**

(22) Filed: **May 26, 2015**

(51) **LOC (10) Cl.** ..... **09-07**

(52) **U.S. Cl.**  
USPC ..... **D9/449**

(58) **Field of Classification Search**  
USPC ..... D7/392.1; D9/434-436, 440, 443-445,  
D9/447, 452, 454, 499, 741, 747; 4/222;  
222/185.1, 402.13, 567  
CPC ..... B65D 47/06  
See application file for complete search history.

(56) **References Cited**

**U.S. PATENT DOCUMENTS**

|              |         |            |       |          |
|--------------|---------|------------|-------|----------|
| D137,297 S * | 2/1944  | Ruther     | ..... | D23/213  |
| D181,337 S * | 11/1957 | Beall, Jr. | ..... | D9/447   |
| D259,861 S * | 7/1981  | Hirtle     | ..... | D9/450   |
| D319,980 S * | 9/1991  | Garner     | ..... | D9/435   |
| D365,518 S * | 12/1995 | Wysocki    | ..... | D9/445   |
| D481,313 S * | 10/2003 | Archer     | ..... | D9/436   |
| D506,928 S * | 7/2005  | Haggard    | ..... | D9/434   |
| D592,505 S * | 5/2009  | Mobley     | ..... | D7/300.2 |
| D615,399 S * | 5/2010  | Bran       | ..... | D9/436   |

|                   |         |           |       |                         |
|-------------------|---------|-----------|-------|-------------------------|
| D710,198 S *      | 8/2014  | Blowfield | ..... | D9/445                  |
| D712,749 S *      | 9/2014  | Robertson | ..... | D9/730                  |
| D717,168 S *      | 11/2014 | Ferman    | ..... | D9/435                  |
| 2015/0353244 A1 * | 12/2015 | Stryker   | ..... | B44D 3/127<br>222/185.1 |

\* cited by examiner

*Primary Examiner* — Robert M Spear

*Assistant Examiner* — Darcey E Heflin

(74) *Attorney, Agent, or Firm* — Thedford I. Hitaffer;  
Hitaffer & Hitaffer, PLLC

(57) **CLAIM**

The ornamental design for a dispensing lid, as shown and as shown and described.

**DESCRIPTION**

FIG. 1 is an isometric view of a dispensing lid showing the new design;

FIG. 2 is a left side view of the new design as shown in FIG. 1, wherein the right side is a mirror image thereof;

FIG. 3 is cross-sectional view of the new design as shown in FIG. 1, whereby said view is provided for by the plane identified by line 3-3 in FIG. 6;

FIG. 4 is a front view of the new design as shown in FIG. 1;

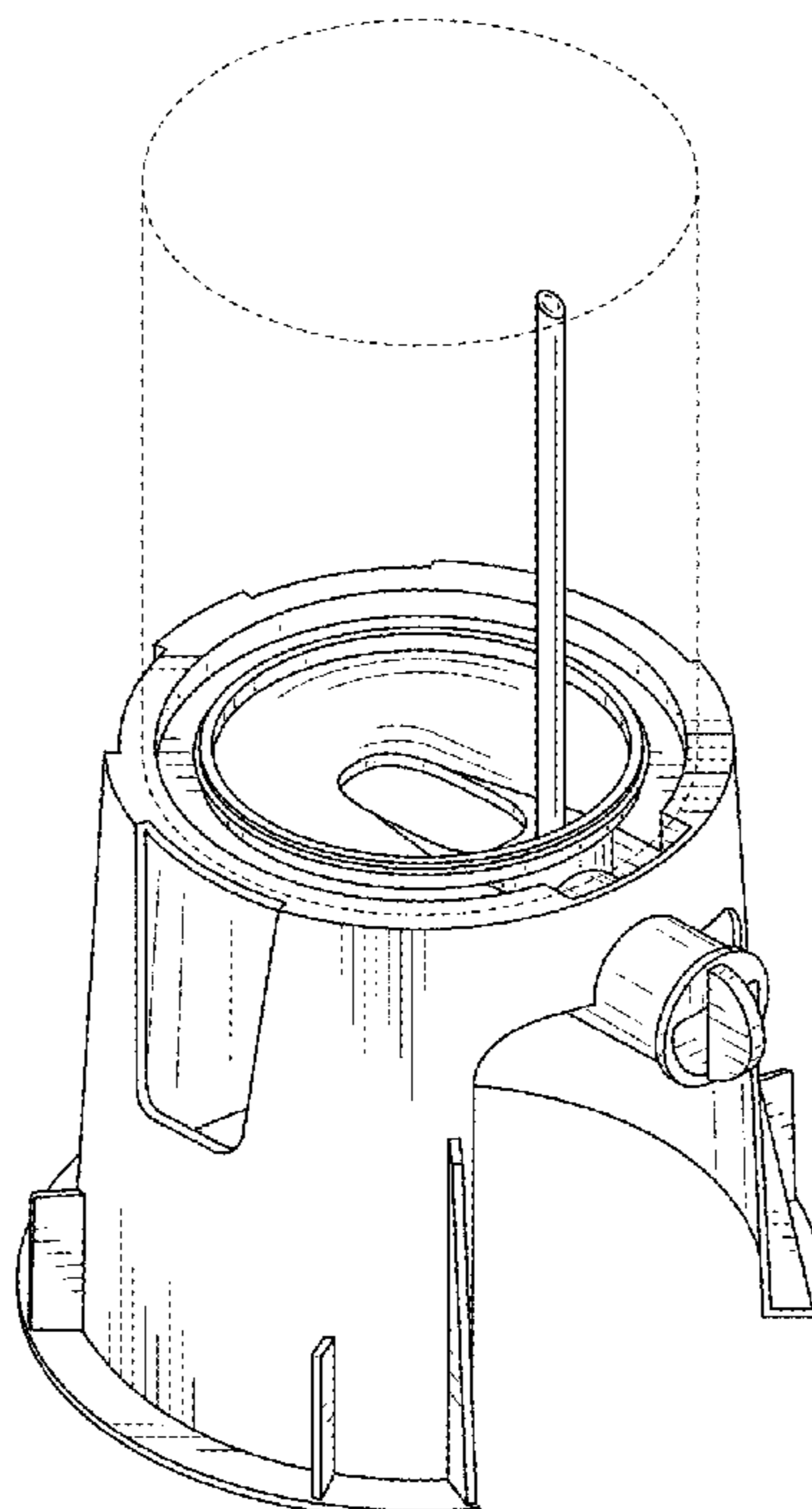
FIG. 5 is a rear view of the new design as shown in FIG. 1;

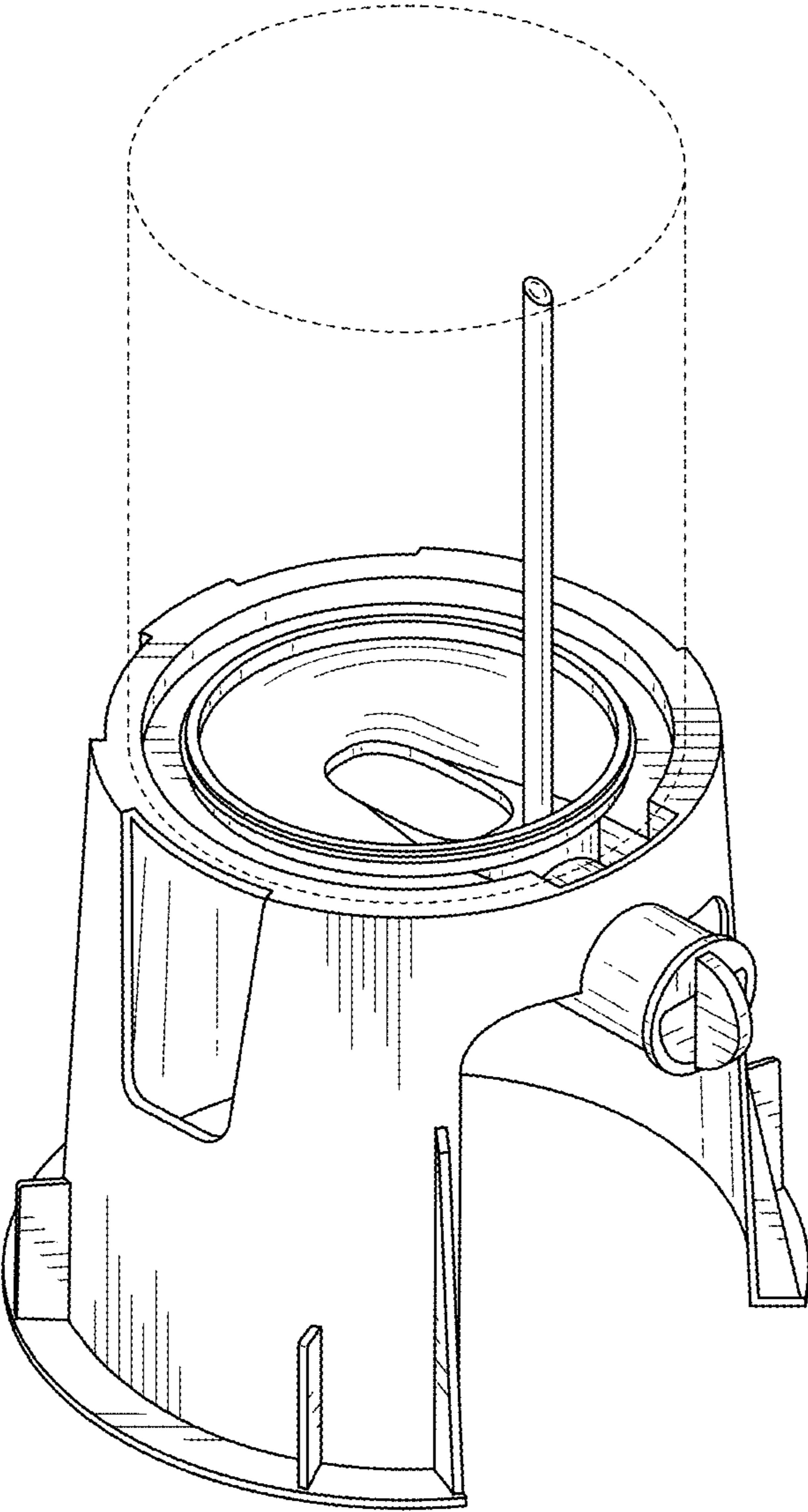
FIG. 6 is a top plan view of the new design as shown in FIG. 1 with the container removed for clarity of disclosure; and,

FIG. 7 is a bottom plan view of the new design as shown in FIG. 1.

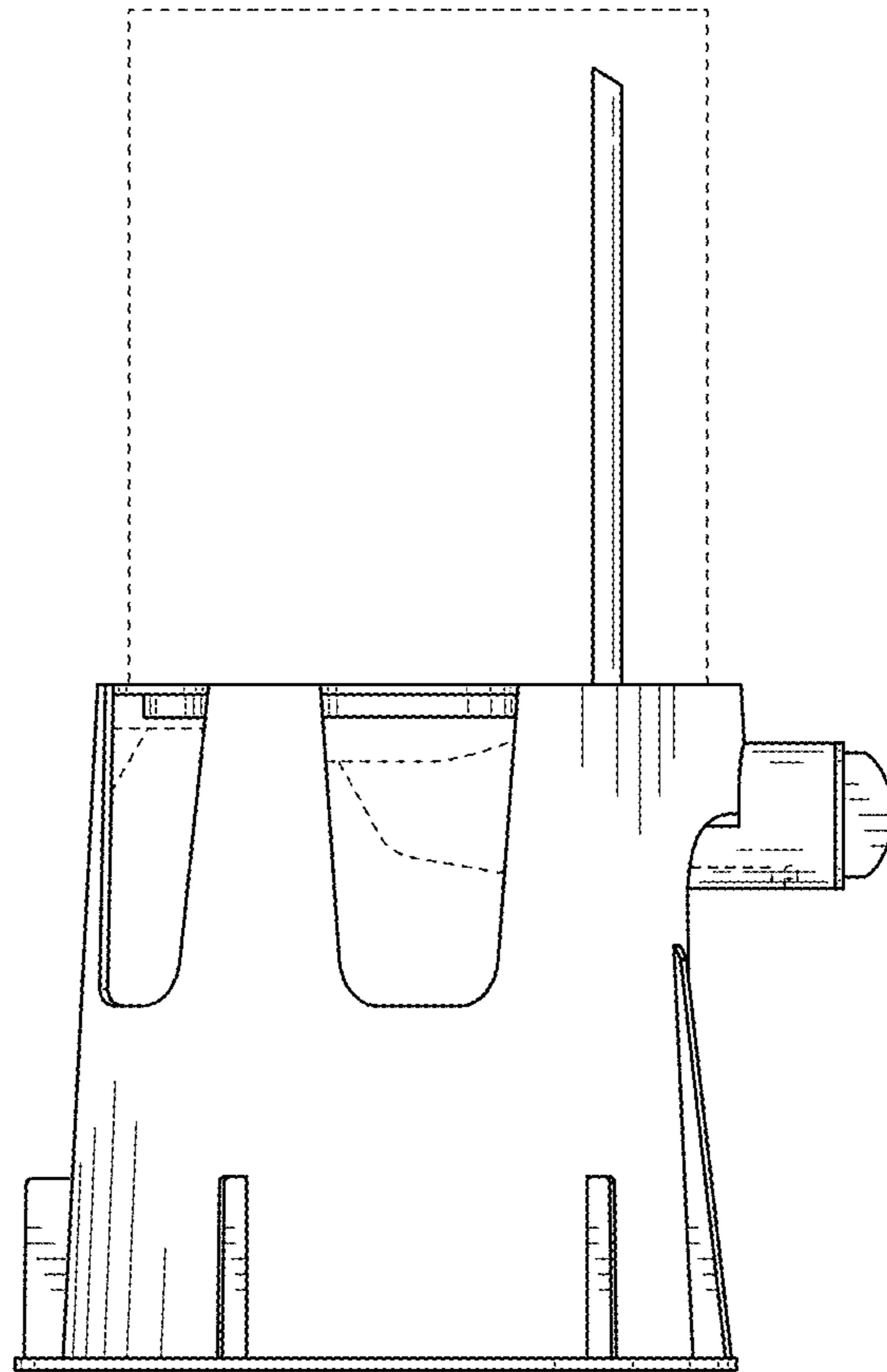
In the drawings, the broken lines throughout the drawings depict environmental subject matter that forms no part of the claimed invention.

**1 Claim, 4 Drawing Sheets**

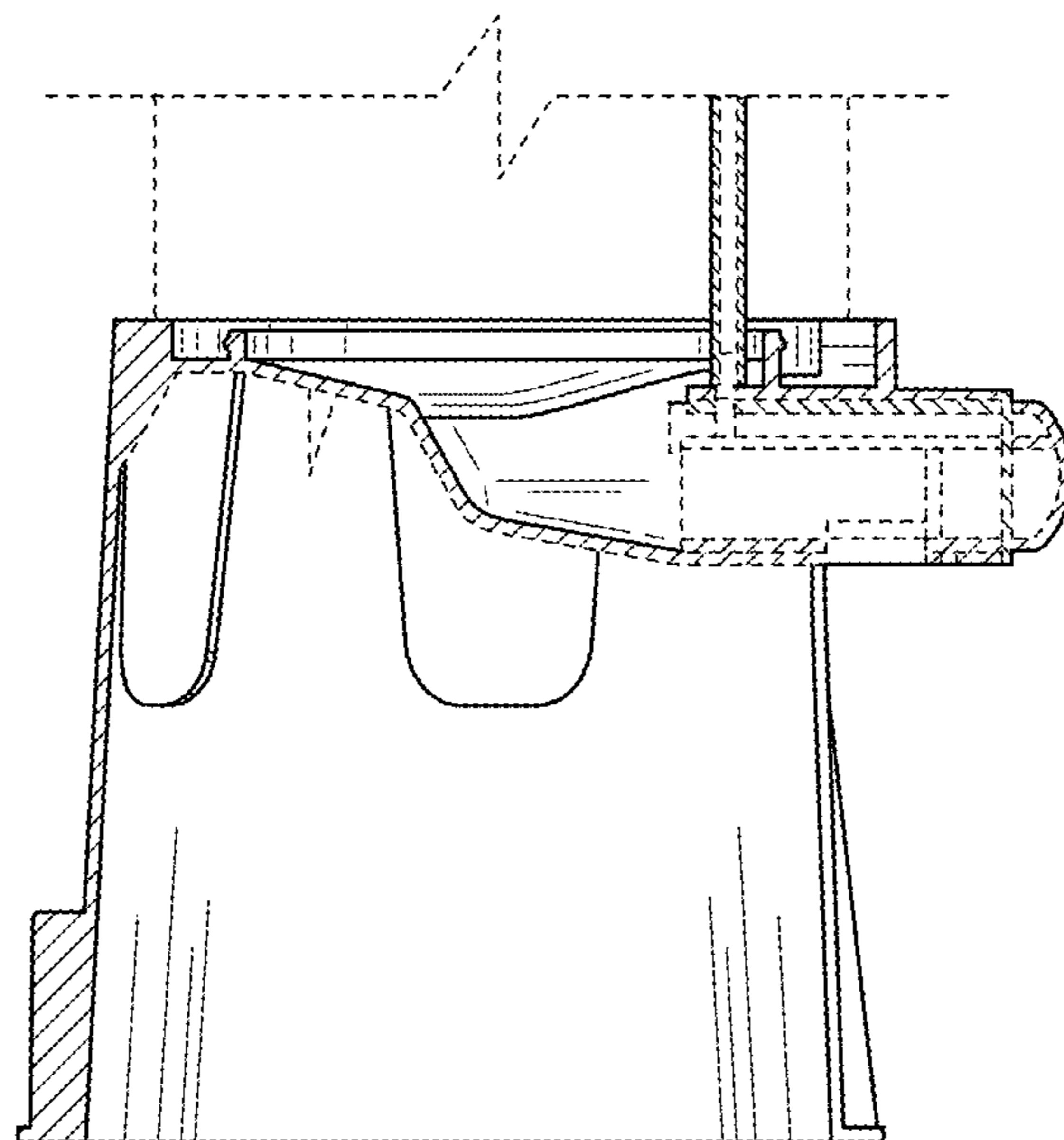




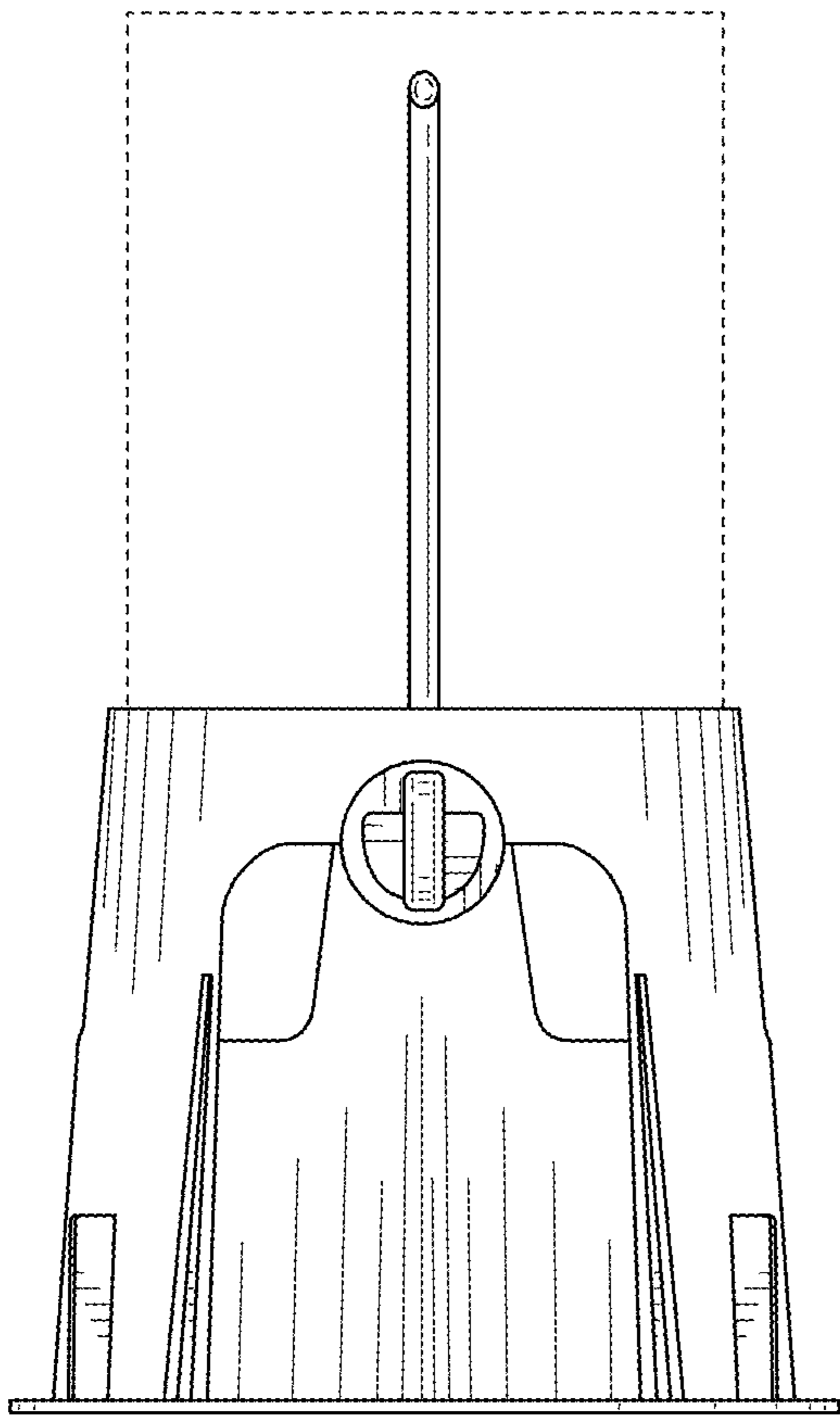
**FIG. 1**



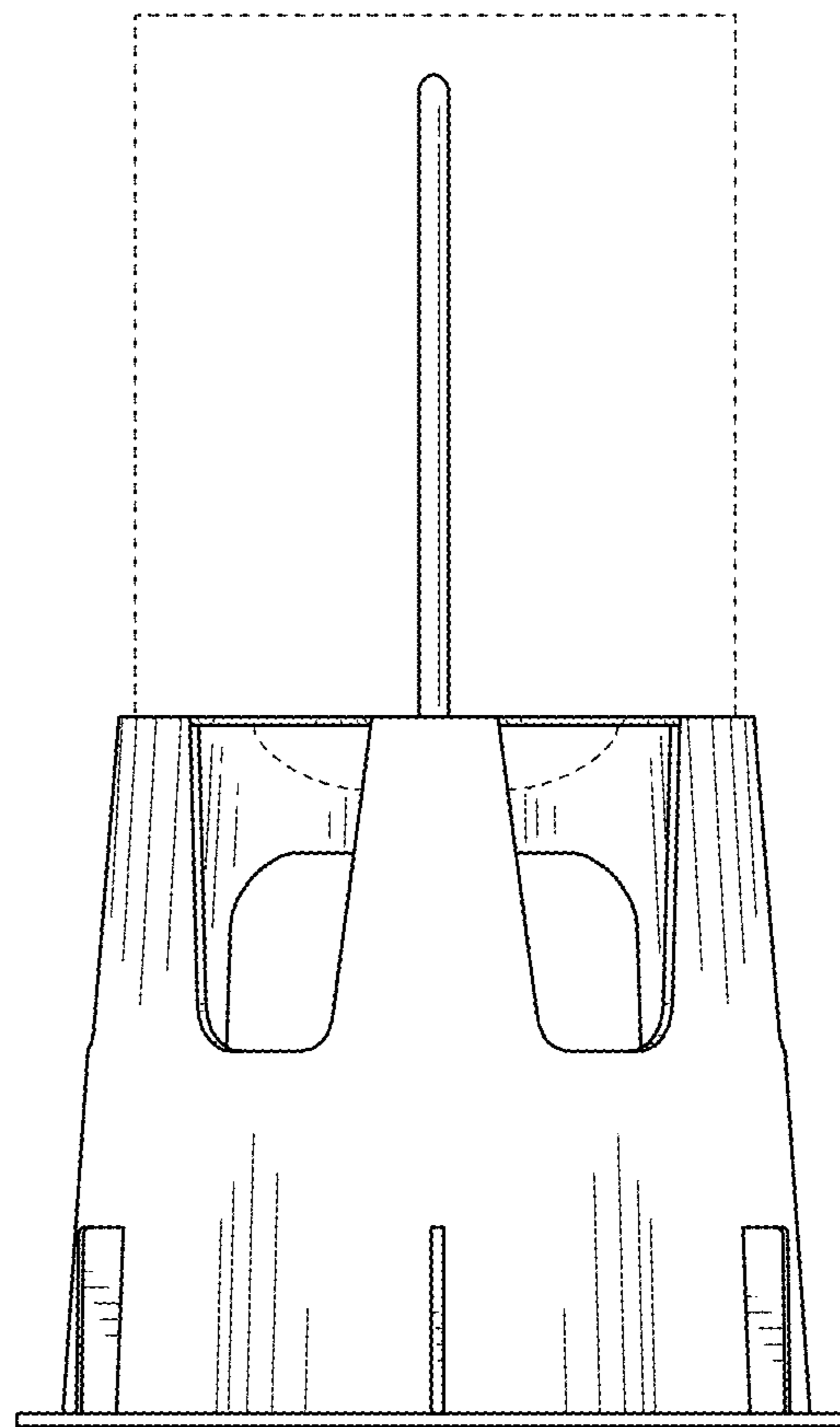
**FIG. 2**



**FIG. 3**



**FIG. 4**



**FIG. 5**

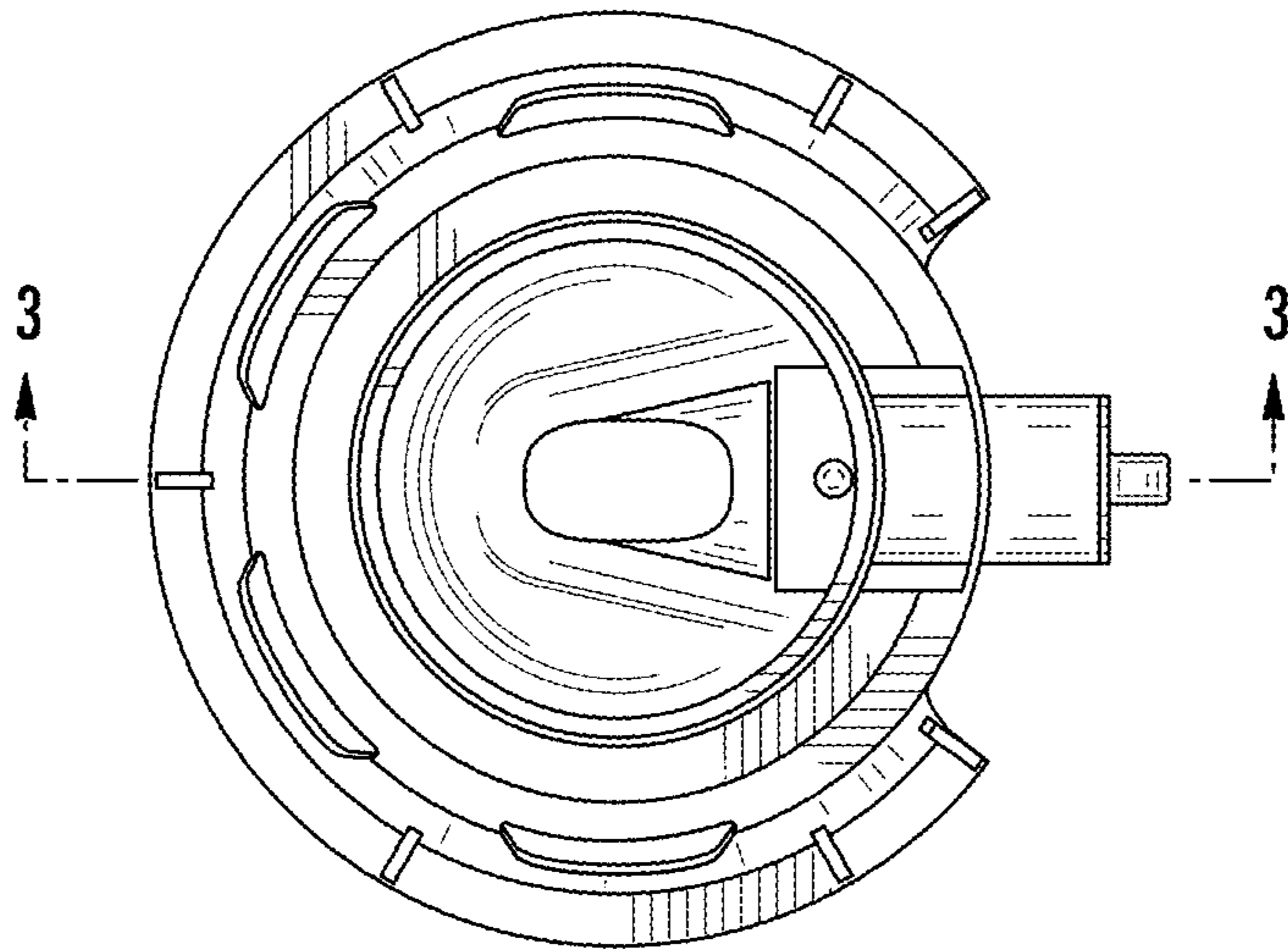


FIG. 6

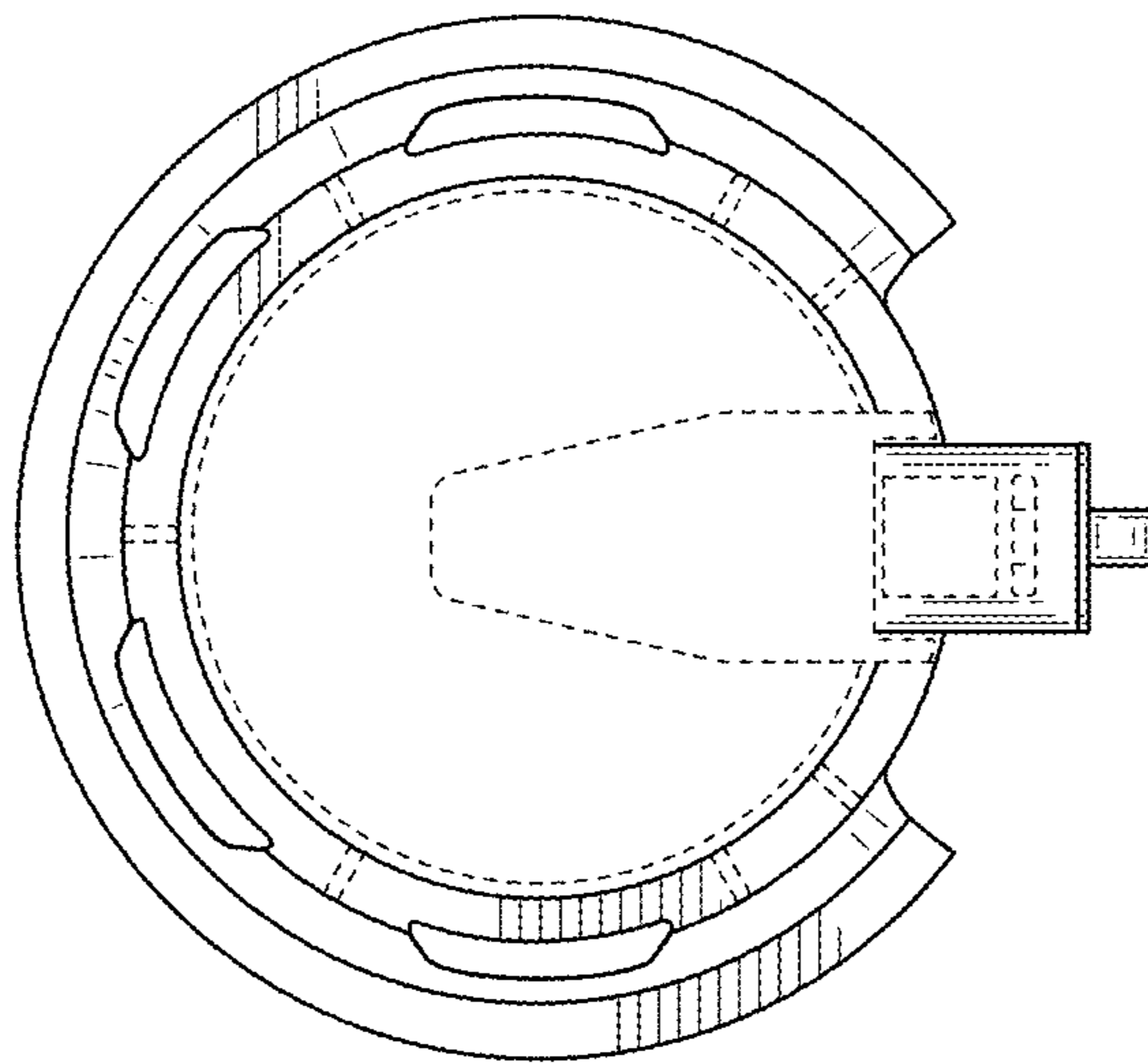


FIG. 7