



US00D775524S

(12) **United States Design Patent**  
**Herbeck et al.**

(10) **Patent No.:** **US D775,524 S**  
(45) **Date of Patent:** **\*\* Jan. 3, 2017**

(54) **FOLDABLY CONSTRUCTED TRAY**

FOREIGN PATENT DOCUMENTS

(71) Applicant: **GREEN OX PALLET TECHNOLOGY, LLC**, Centennial, CO (US)

DE 7227035 U 10/1972  
DE 2137703 A1 2/1973  
(Continued)

(72) Inventors: **Joshua Daniel Herbeck**, Centennial, CO (US); **Gregory D. Van de Mark**, Centennial, CO (US)

OTHER PUBLICATIONS

U.S. Appl. No. 29/527,714, filed May 21, 2015.  
U.S. Appl. No. 29/527,717, filed May 21, 2015.

(73) Assignee: **GREEN OX PALLET TECHNOLOGY, LLC**, Centennial, CO (US)

*Primary Examiner* — Cynthia Underwood  
(74) *Attorney, Agent, or Firm* — Dorsey & Whitney LLP

(\*\*) Term: **15 Years**

(57) **CLAIM**

(21) Appl. No.: **29/527,710**

We claim the ornamental design for a foldably constructed tray, as shown and described.

(22) Filed: **May 21, 2015**

(51) **LOC (10) Cl.** ..... **09-03**

(52) **U.S. Cl.**  
USPC ..... **D9/433**

**DESCRIPTION**

(58) **Field of Classification Search**  
USPC ..... D9/430, 414, 432, 524, 516, 433, 431;  
D7/543, 545, 602, 552.2, 538, 550.1;  
229/112, 100  
CPC ..... B65D 1/00; B65D 5/4291; B65D 5/38;  
B65D 1/225; B65D 5/002; B65D 5/603;  
A47F 5/11  
See application file for complete search history.

FIG. 1 is a top front isometric view of a foldably constructed tray in an unfolded configuration.  
FIG. 2 is a top plan view of tray of FIG. 1 in the unfolded configuration.  
FIG. 3 is a bottom plan view of the tray of FIG. 1 in the unfolded configuration.  
FIG. 4 is a front elevation view of the tray of FIG. 1 in the unfolded configuration.  
FIG. 5 is a rear elevation view of the tray of FIG. 1 in the unfolded configuration.  
FIG. 6 is a left side elevation view of the tray of FIG. 1 in the unfolded configuration.  
FIG. 7 is a right side elevation view of the tray of FIG. 1 in the unfolded configuration; and,  
FIG. 8 is a top front isometric view the tray of FIG. 1 in the folded configuration.  
The dotted lines represent fold lines and are part of the claim. The broken lines represent environment and form no part of the claim.

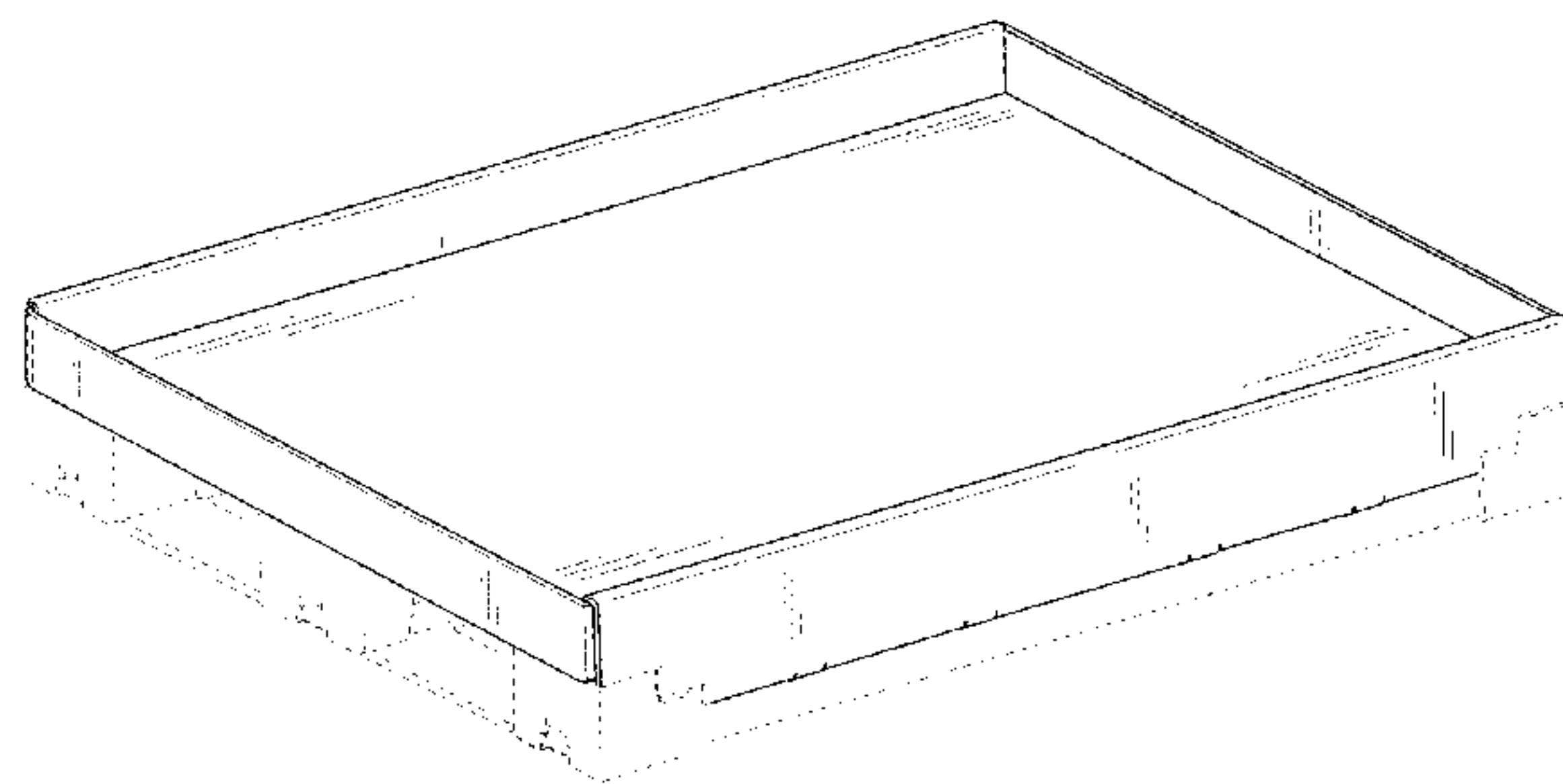
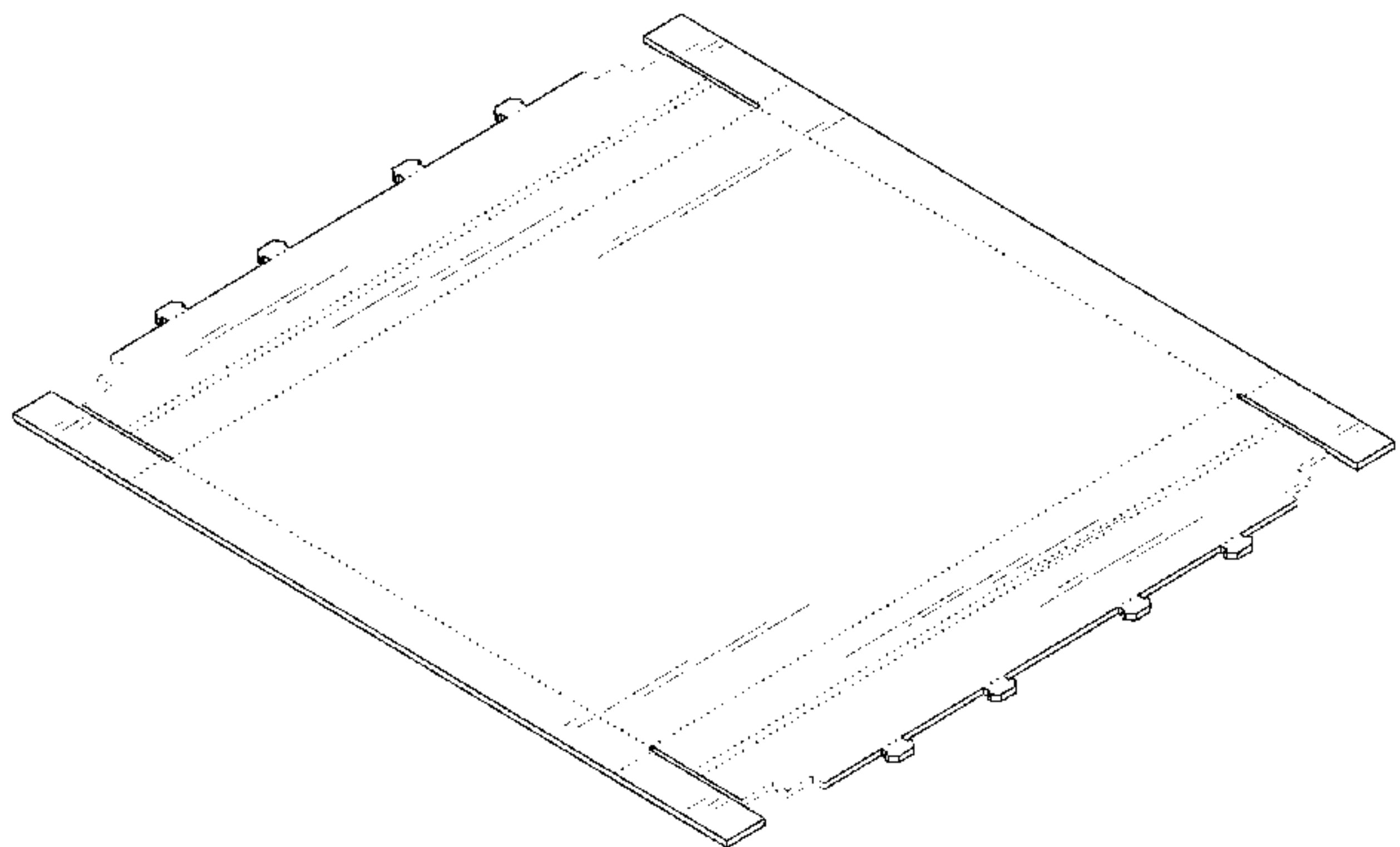
(56) **References Cited**

U.S. PATENT DOCUMENTS

2,503,240	A	4/1950	Cahners
2,576,715	A	11/1951	Farrel
2,709,559	A	5/1955	Geisler
2,908,464	A	10/1959	Traudt et al.
3,026,078	A	3/1962	Simkins
3,216,376	A	11/1965	Anderson et al.
3,302,593	A	2/1967	Roberts
3,308,772	A	3/1967	Thomas, Jr.
3,464,370	A	9/1969	Martin
3,952,672	A	4/1976	Gordon et al.

(Continued)

**1 Claim, 5 Drawing Sheets**



(56)

References Cited

U.S. PATENT DOCUMENTS

4,085,847 A 4/1978 Jacalone  
 4,100,859 A 7/1978 Clark, Jr.  
 D249,872 S \* 10/1978 Booth ..... D9/433  
 4,433,807 A 2/1984 Ganz  
 D283,456 S 4/1986 Kero et al.  
 D288,977 S 3/1987 Wind  
 4,717,025 A 1/1988 Maurer  
 4,875,419 A 10/1989 Helton et al.  
 4,936,229 A 6/1990 Parnell  
 5,176,090 A 1/1993 Roberts et al.  
 5,285,732 A 2/1994 Gottlieb  
 5,337,679 A 8/1994 Moorman  
 5,350,066 A 9/1994 Mendoza et al.  
 5,355,812 A 10/1994 Kilpatrick et al.  
 5,377,600 A 1/1995 Speese et al.  
 5,383,409 A 1/1995 Hayakawa  
 5,448,956 A 9/1995 Ong et al.  
 5,452,667 A 9/1995 Lim  
 5,562,048 A 10/1996 Gottlieb  
 5,784,971 A 7/1998 Chang  
 5,809,906 A 9/1998 Janek  
 D400,681 S 11/1998 Sadr  
 5,881,652 A 3/1999 Besaw  
 5,950,546 A 9/1999 Brown et al.  
 D421,218 S \* 2/2000 Roemer ..... D9/433  
 6,029,582 A 2/2000 Ogilvie, Jr. et al.  
 6,116,568 A 9/2000 Rosenblat et al.  
 6,173,658 B1 1/2001 Moberg  
 6,253,994 B1 \* 7/2001 Mogard ..... B29C 66/004  
 229/125.04  
 D453,057 S 1/2002 Sewell  
 6,499,206 B1 12/2002 Eure et al.  
 6,739,270 B1 5/2004 Sewell  
 7,007,613 B2 3/2006 Sketo  
 7,234,402 B2 6/2007 Olvey et al.  
 7,275,489 B1 10/2007 Shuert  
 7,303,519 B2 12/2007 Jenkins et al.  
 7,328,833 B1 2/2008 Wiley  
 7,426,890 B2 9/2008 Olvey  
 7,472,474 B2 1/2009 Jaen  
 7,484,343 B2 2/2009 Dickner

D623,821 S 9/2010 Grainger  
 D640,922 S \* 7/2011 Daley ..... D9/432  
 7,980,184 B2 7/2011 Olvey  
 8,033,481 B2 10/2011 Choi et al.  
 D663,616 S \* 7/2012 Martini ..... D9/433  
 8,261,675 B2 9/2012 Morris  
 D668,539 S \* 10/2012 Barbieri ..... D9/431  
 8,365,677 B2 2/2013 Olvey  
 D679,588 S \* 4/2013 Martini ..... D9/433  
 D681,452 S \* 5/2013 Dennen ..... D9/433  
 8,479,666 B2 7/2013 Olvey  
 D687,706 S \* 8/2013 Akana ..... D9/414  
 D717,167 S \* 11/2014 Stone ..... D9/433  
 D717,647 S \* 11/2014 De Pietri Tonelli ..... D9/433  
 D720,214 S \* 12/2014 De Pietri Tonelli ..... D9/433  
 D746,535 S 12/2015 Herbeck  
 D746,536 S 12/2015 Herbeck  
 D747,193 S \* 1/2016 Melistas ..... D9/433  
 2001/0025589 A1 10/2001 Moberg  
 2002/0069796 A1 6/2002 Olvey et al.  
 2002/0112653 A1 8/2002 Moor, Jr. et al.  
 2004/0108434 A1 6/2004 Olvey  
 2005/0061210 A1 3/2005 Wullenweber  
 2005/0098067 A1 5/2005 Sketo  
 2005/0247240 A1 11/2005 Nelson  
 2006/0225626 A1 10/2006 Olvey et al.  
 2007/0068426 A1 3/2007 Teags et al.  
 2008/0223262 A1 9/2008 Chew et al.  
 2011/0245059 A1 10/2011 Olvey et al.  
 2011/0308993 A1 12/2011 Hill et al.  
 2012/0312200 A1 12/2012 Monteith  
 2013/0180437 A1 7/2013 Wilcox et al.  
 2015/0284137 A1 10/2015 Olvey et al.

FOREIGN PATENT DOCUMENTS

FR 2867161 A1 9/2005  
 WO 0055057 A1 9/2000  
 WO 2006094268 A2 9/2006  
 WO 2006094311 A2 9/2006  
 WO 2011003126 A1 1/2011  
 WO 2014003823 A1 1/2014  
 WO 2014004742 A1 1/2014

\* cited by examiner

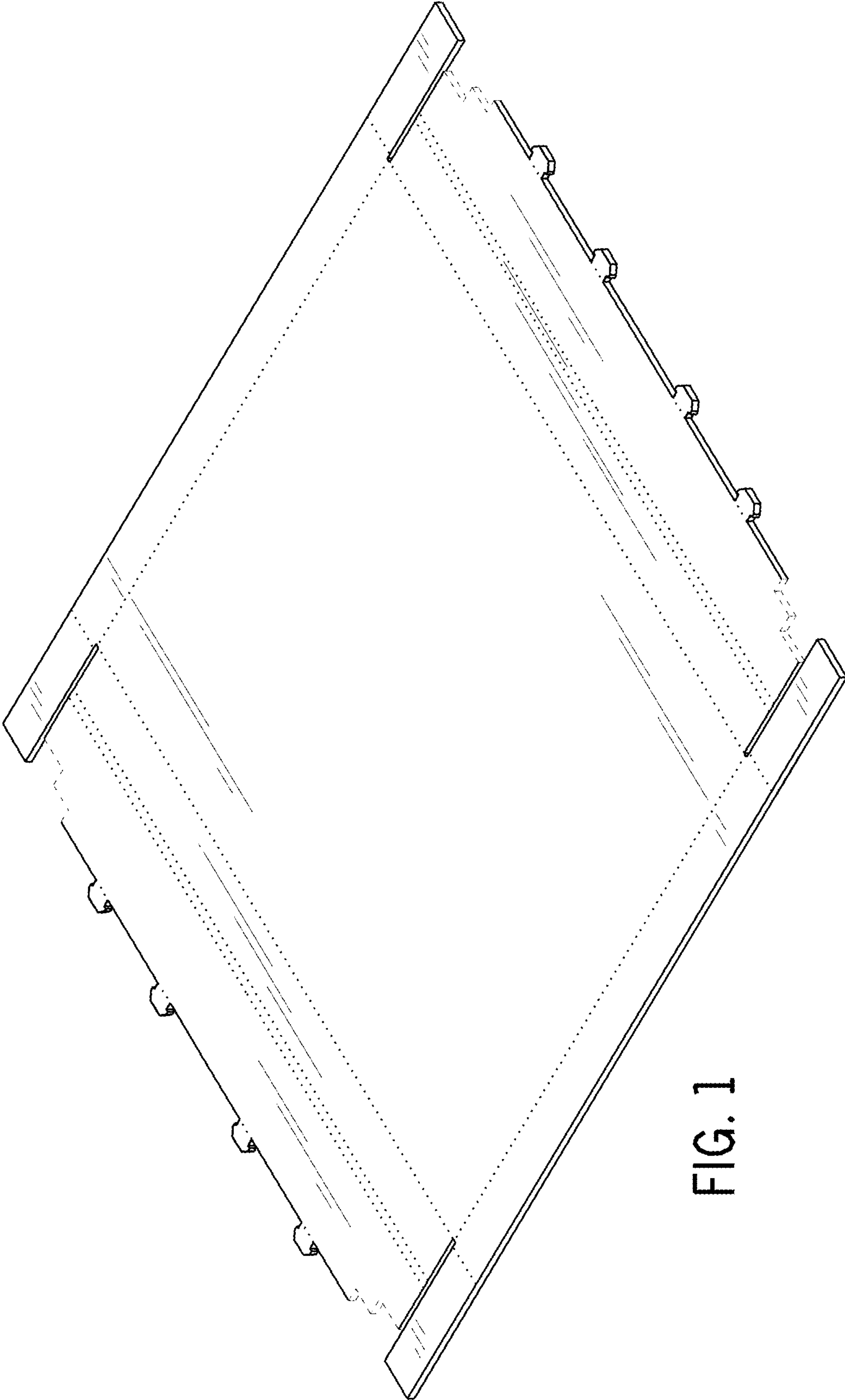


FIG. 1

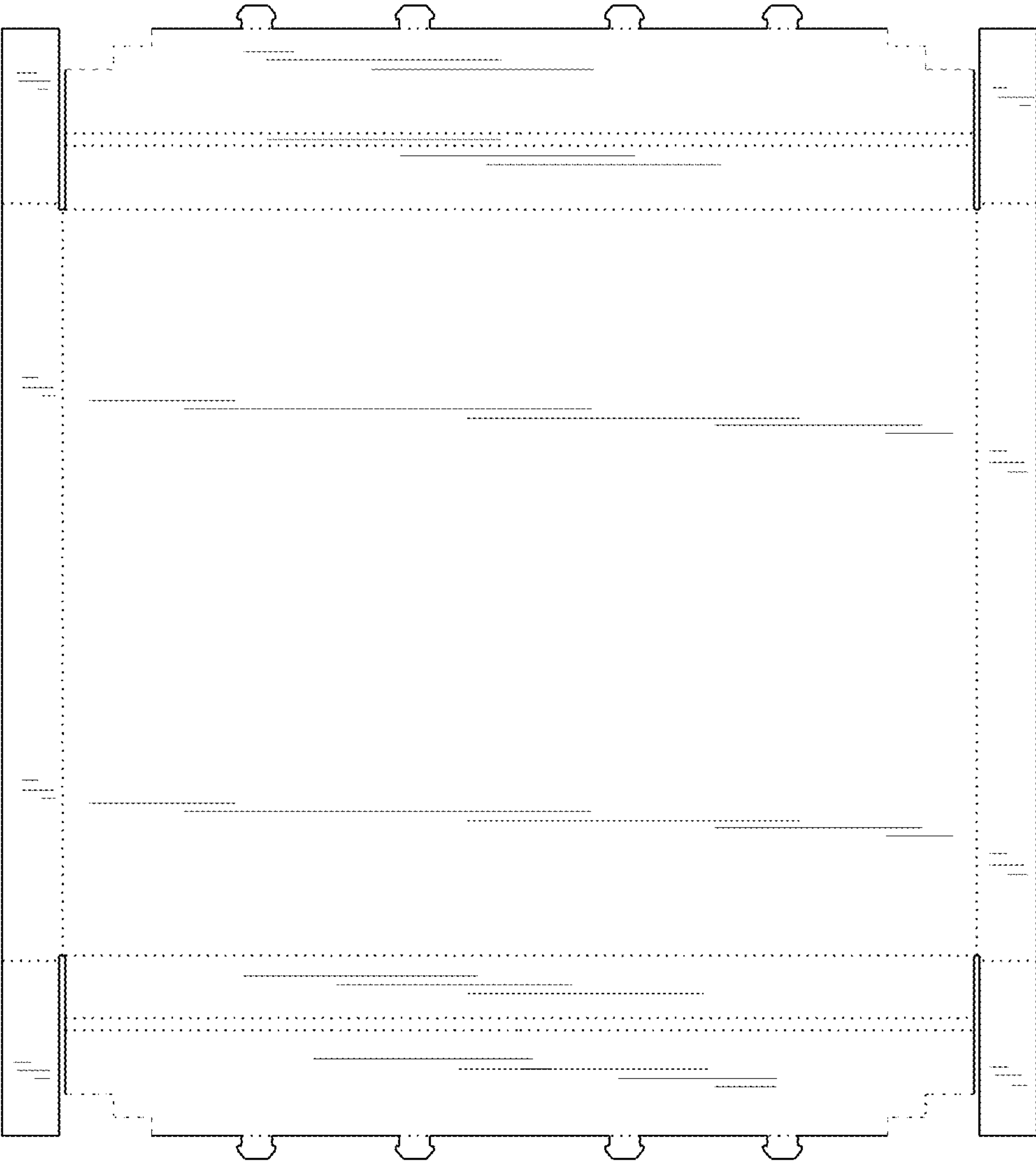


FIG. 2



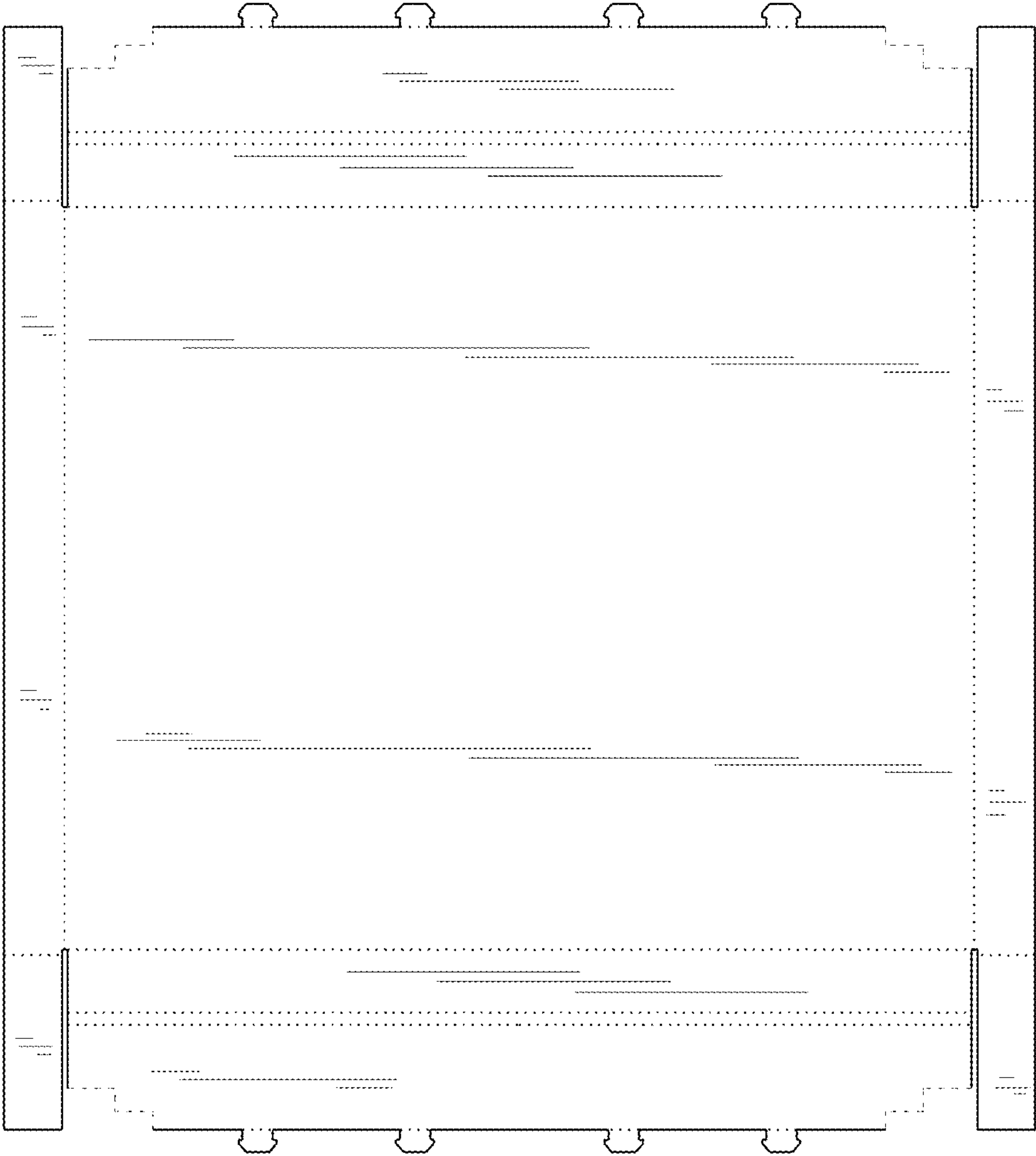


FIG. 3

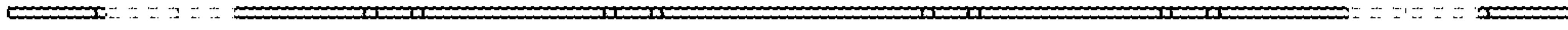


FIG. 4

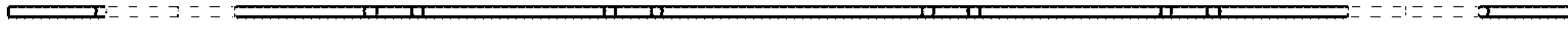


FIG. 5



FIG. 6

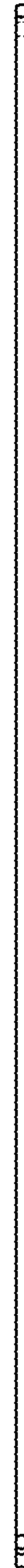


FIG. 7

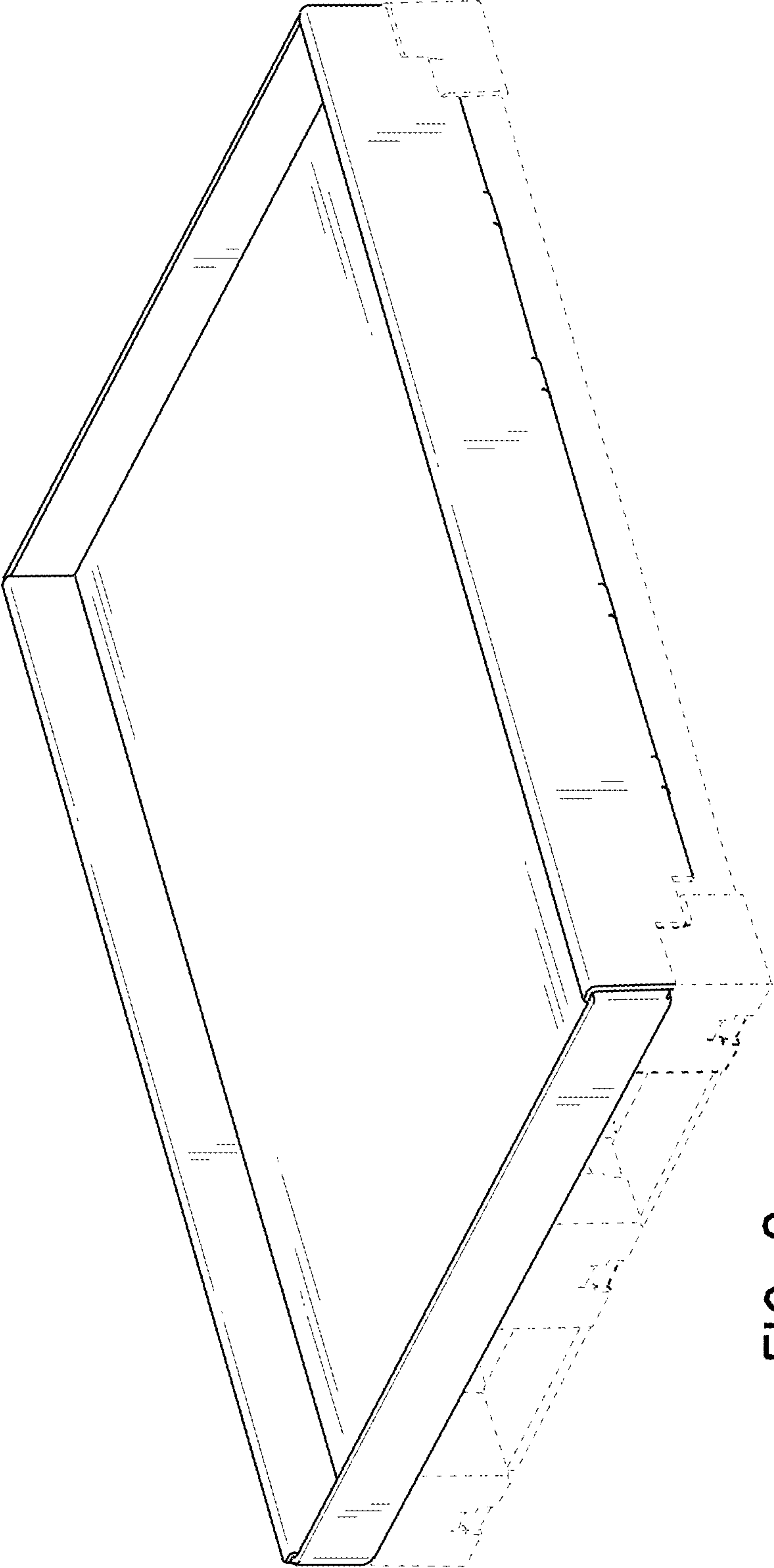


FIG. 8