



US00D775523S

(12) **United States Design Patent** (10) **Patent No.:** **US D775,523 S**  
**Platt** (45) **Date of Patent:** **\*\* Jan. 3, 2017**

(54) **CUPCAKE BOX WITH INSERT**  
(71) Applicant: **Yvonne Platt**, London (GB)  
(72) Inventor: **Yvonne Platt**, London (GB)  
(\*\*) Term: **14 Years**

(21) Appl. No.: **29/522,836**  
(22) Filed: **Apr. 2, 2015**

(30) **Foreign Application Priority Data**

Oct. 3, 2014 (GB) ..... 4037524

(51) **LOC (10) Cl.** ..... **09-03**

(52) **U.S. Cl.**  
USPC ..... **D9/418**

(58) **Field of Classification Search**  
USPC ..... D9/414-419, 432, 499; D20/42; D26/9;  
D3/272; D6/672; 206/423  
CPC ..... B65D 5/0005  
See application file for complete search history.

(56) **References Cited**

**U.S. PATENT DOCUMENTS**

- 2,767,831 A \* 10/1956 Brecht ..... B65D 5/0005  
206/423
- D386,533 S \* 11/1997 Kvoka ..... D20/42
- D387,982 S \* 12/1997 Kaplan ..... D9/418
- D388,522 S \* 12/1997 Pietrantonio ..... D26/9
- D431,776 S \* 10/2000 Oetken ..... D3/272
- D506,386 S \* 6/2005 Milan ..... D9/418
- D529,795 S \* 10/2006 Kragtwijk ..... D9/418
- D530,196 S \* 10/2006 Wijerama ..... D9/418

- D577,286 S \* 9/2008 Sheppard ..... D9/418
- D636,662 S \* 4/2011 Ignacio ..... D9/418
- D706,129 S \* 6/2014 Boraczek ..... D9/418
- D731,302 S \* 6/2015 Lutgen ..... D9/418
- D734,075 S \* 7/2015 Tapper ..... D6/672
- D738,202 S \* 9/2015 Stone ..... D9/418

\* cited by examiner

*Primary Examiner* — Rhea Shields

(74) *Attorney, Agent, or Firm* — Pearne & Gordon LLP

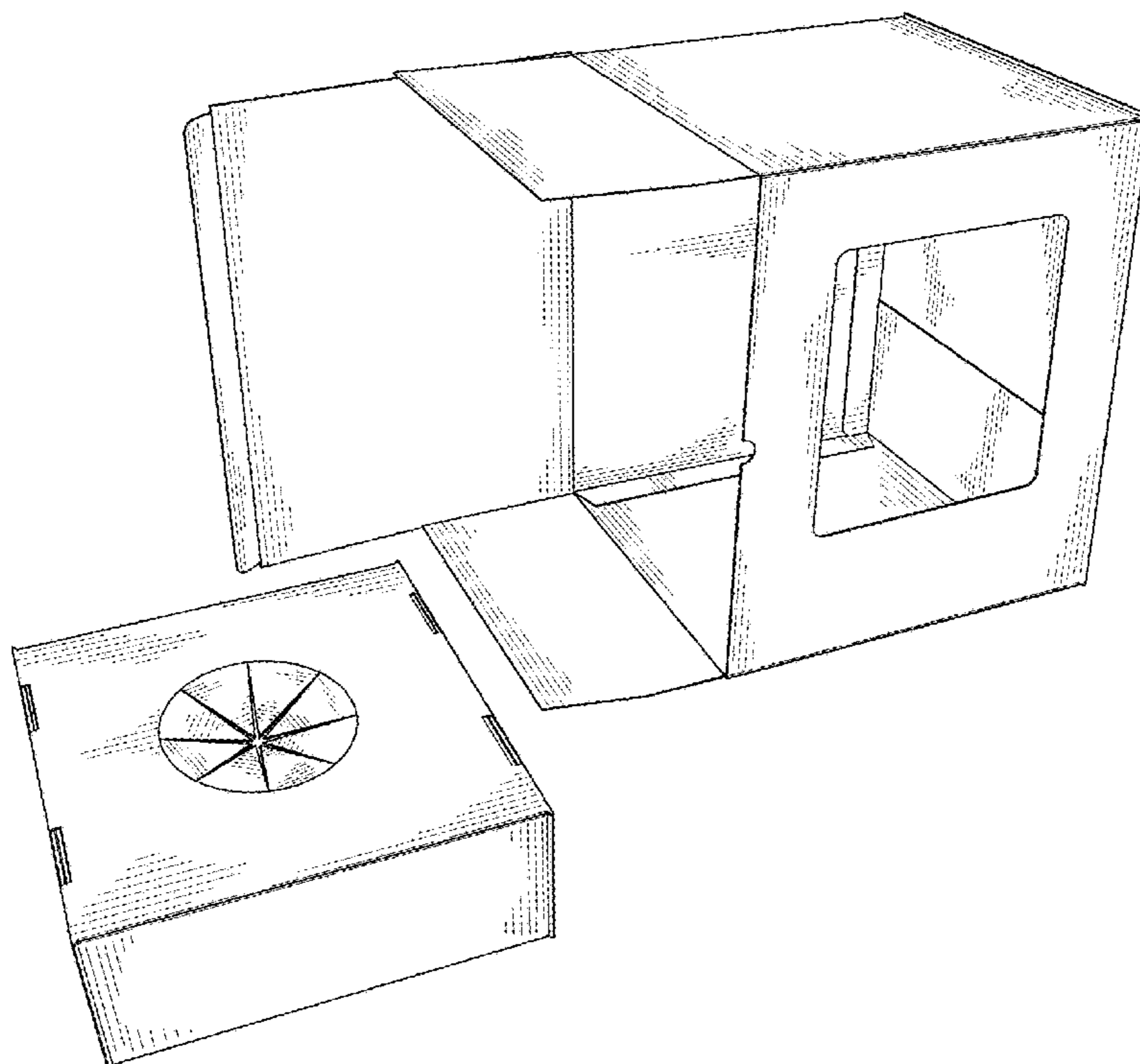
(57) **CLAIM**

I claim the ornamental design for a cupcake box with insert, as shown and described.

**DESCRIPTION**

FIG. 1 is a front perspective view of the cupcake box with insert.  
 FIG. 2 is a front perspective view as in FIG. 1, but wherein the box has been opened at its left side and the insert removed therefrom. Except for the pie-shaped flaps forming a recess portion of the upper face of the insert, that insert has left-to-right and front-to-rear mirror-image symmetry, wherein the left- and right-side walls are flat panels.  
 FIG. 3 is a front perspective view as in FIG. 1, wherein the insert has been removed from the box.  
 FIG. 4 is a front view of the cupcake box with insert.  
 FIG. 5 is a left-side view of the cupcake box with insert.  
 FIG. 6 is a right-side view of the cupcake box with insert.  
 FIG. 7 is a rear view of the cupcake box with insert.  
 FIG. 8 is a bottom view of the cupcake box with insert; and, FIG. 9 is a top view of the cupcake box with insert.

**1 Claim, 9 Drawing Sheets**



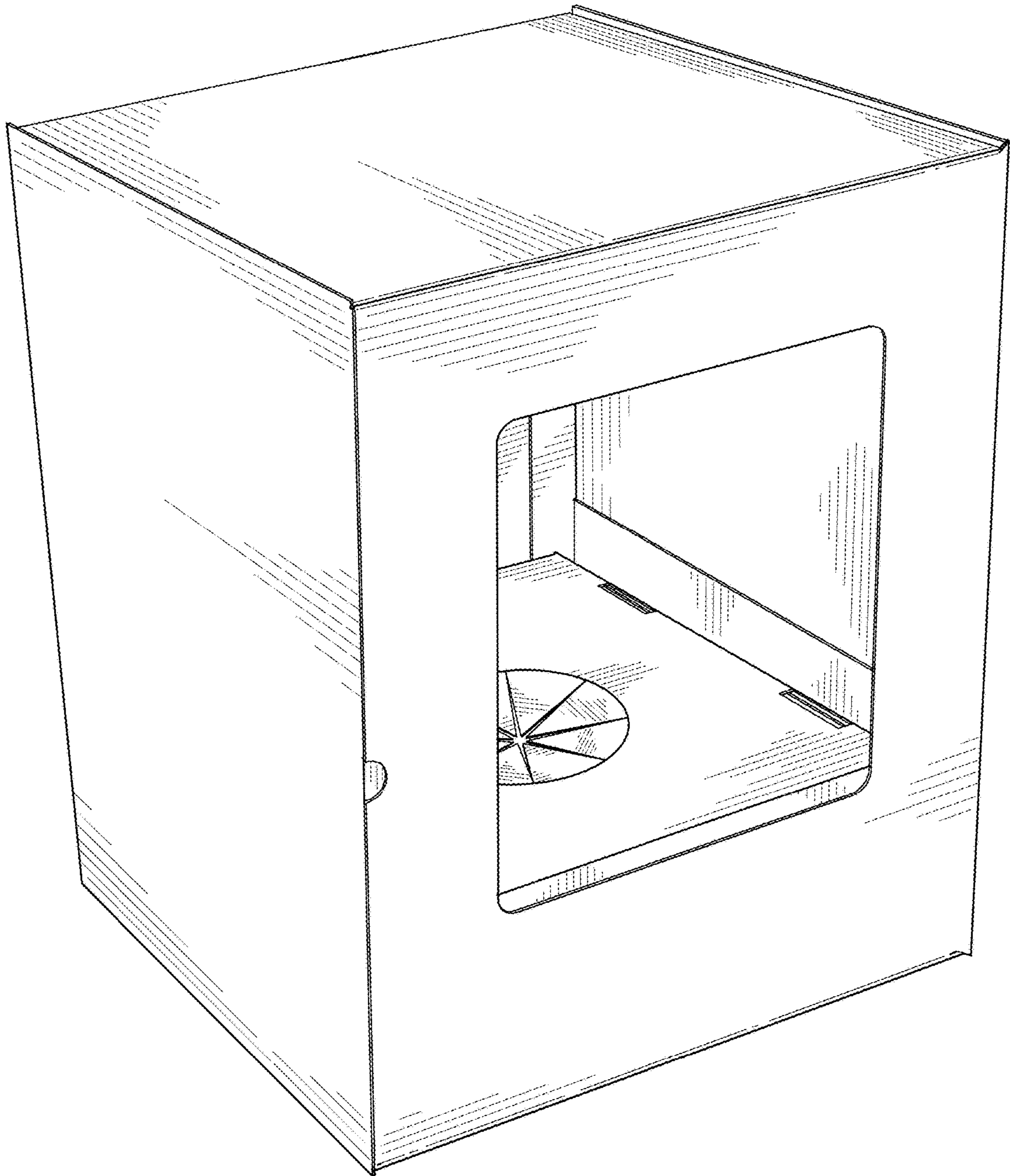


FIG. 1

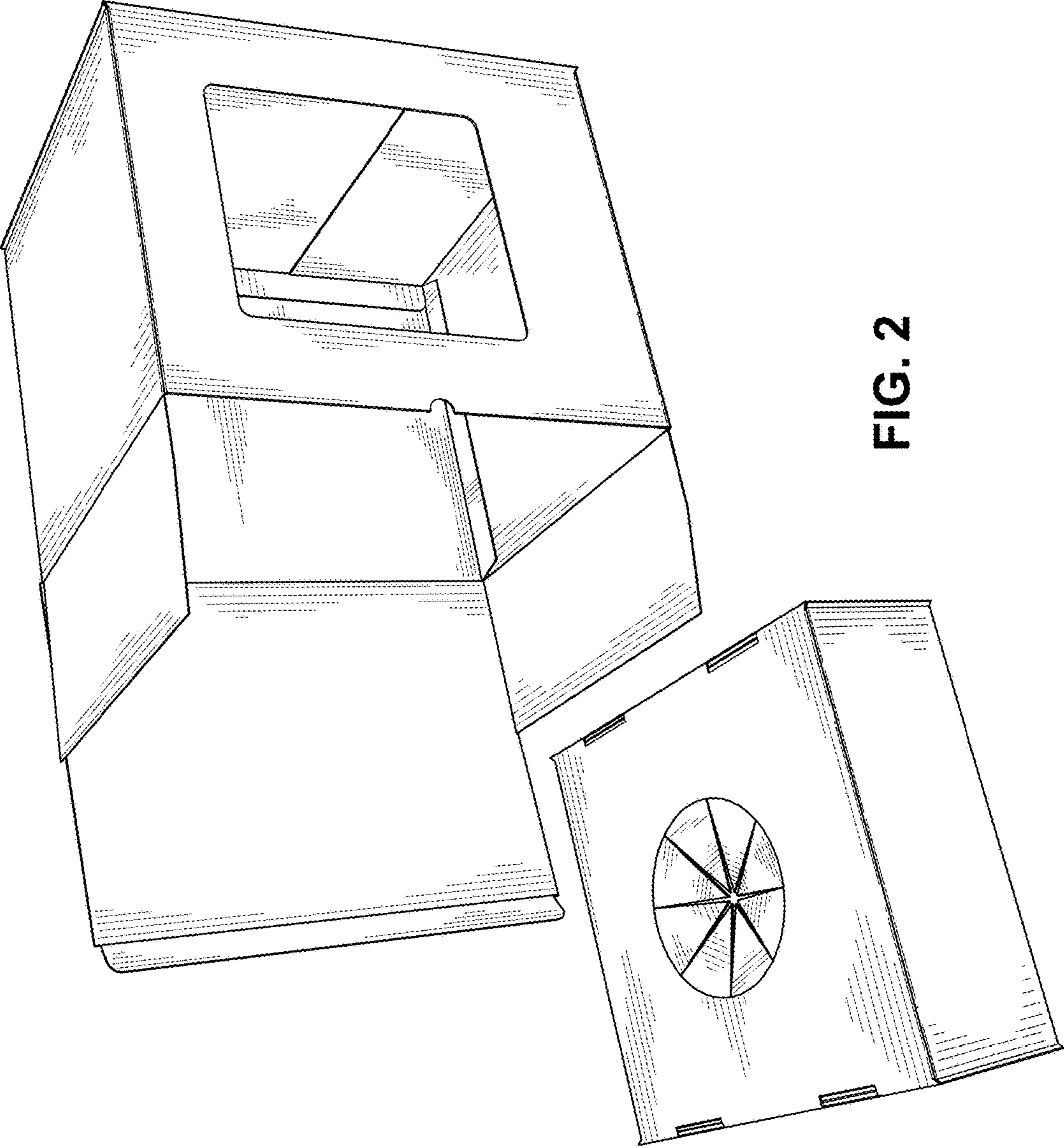
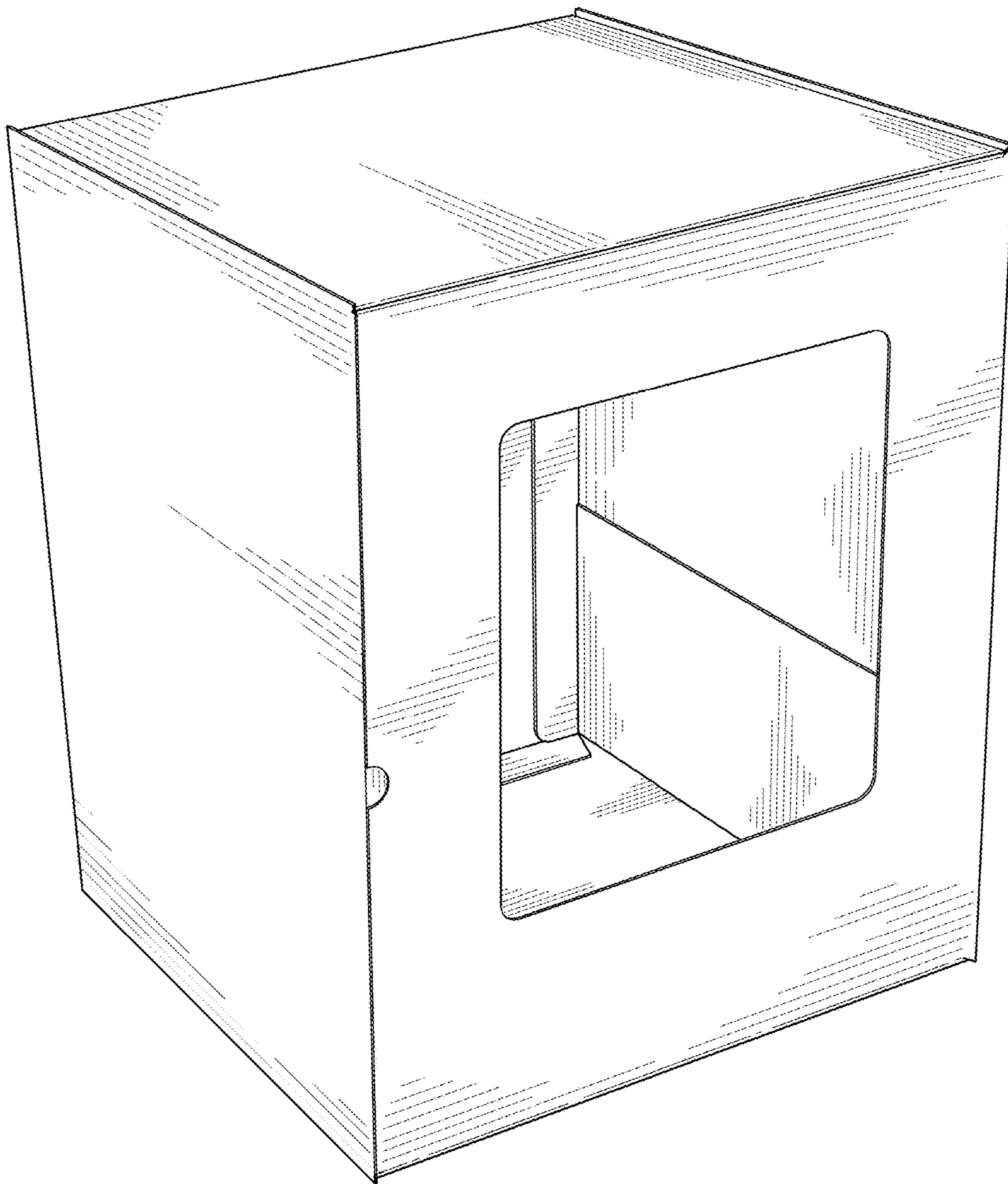
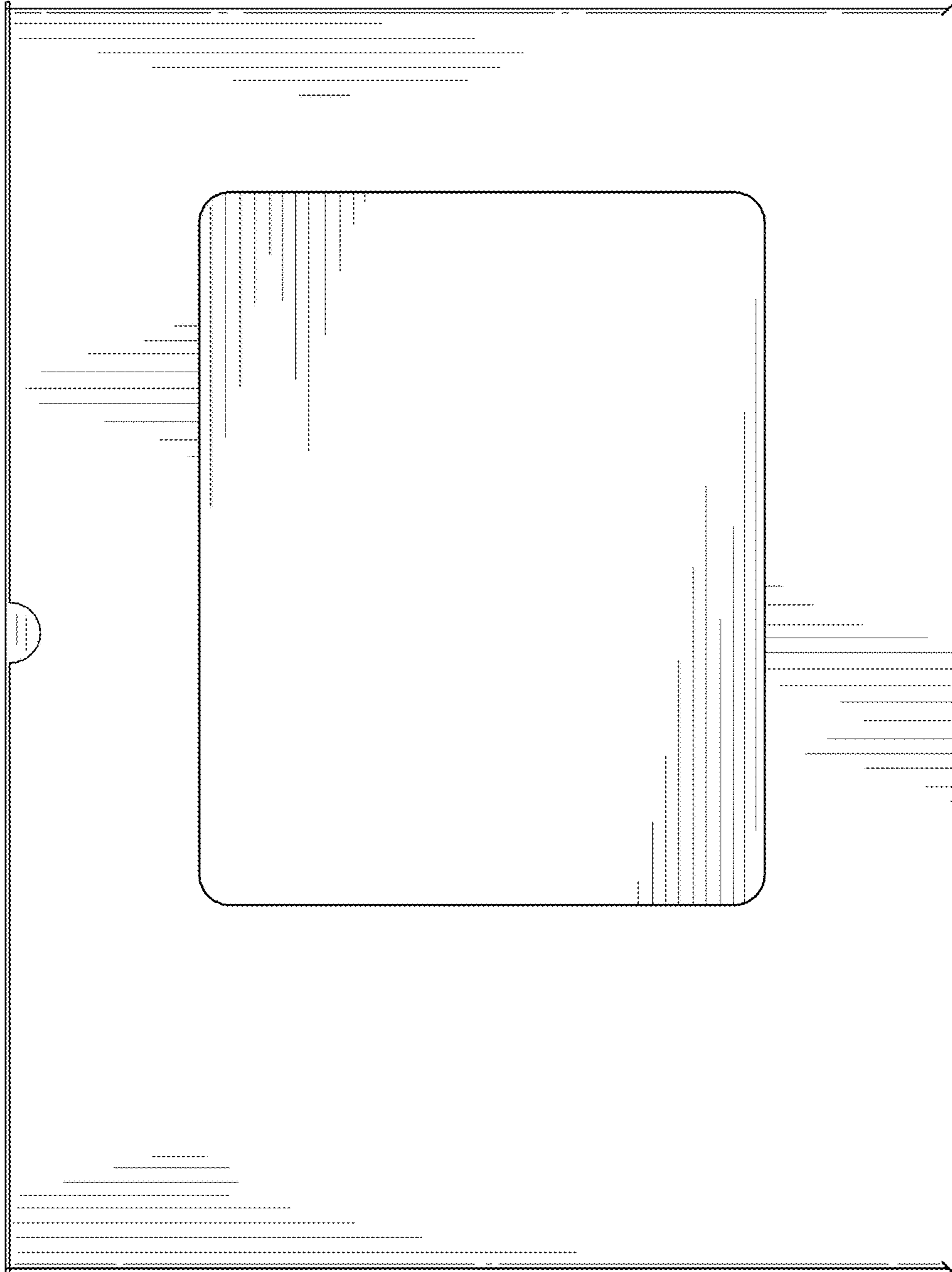


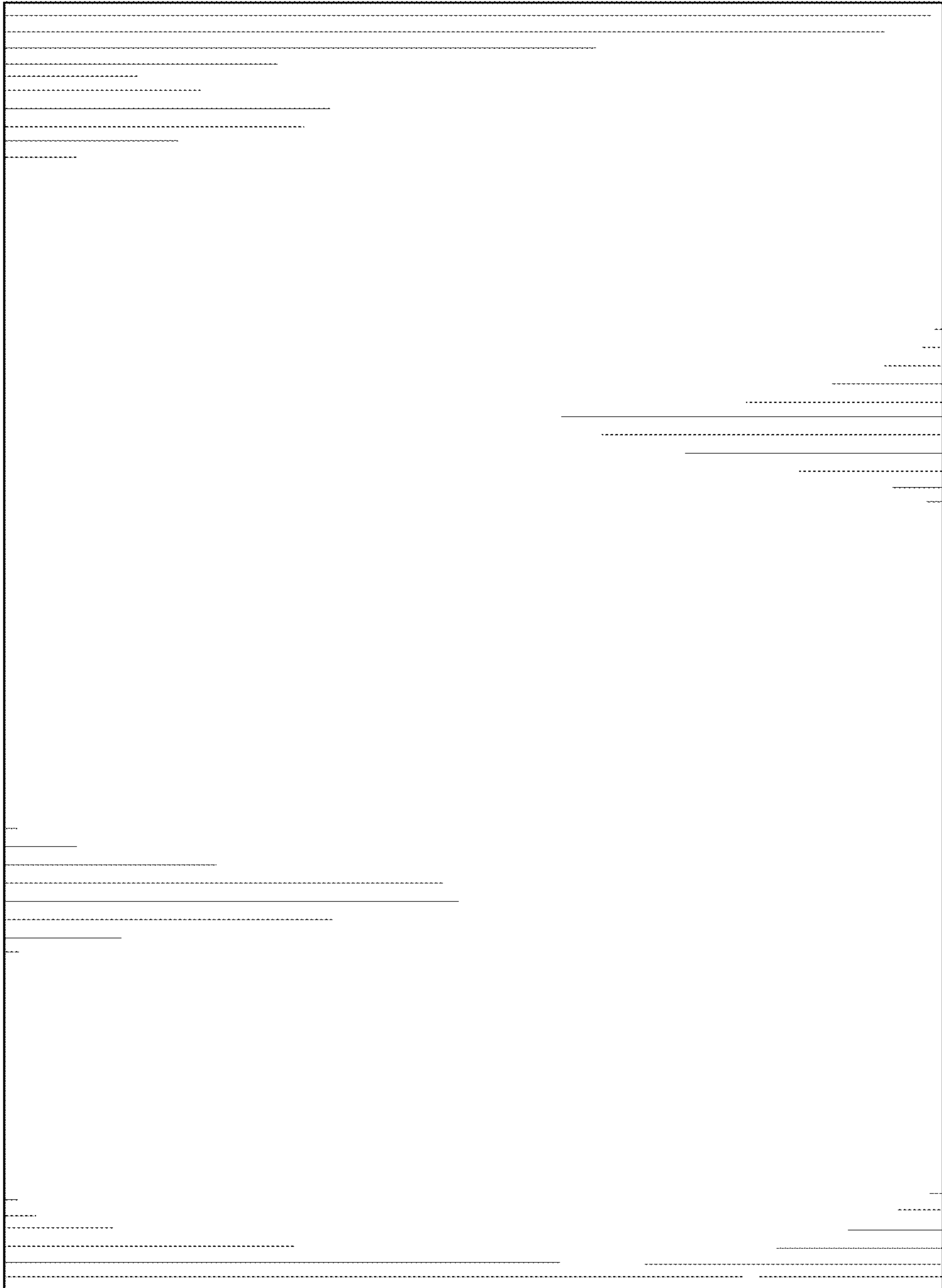
FIG. 2



**FIG. 3**



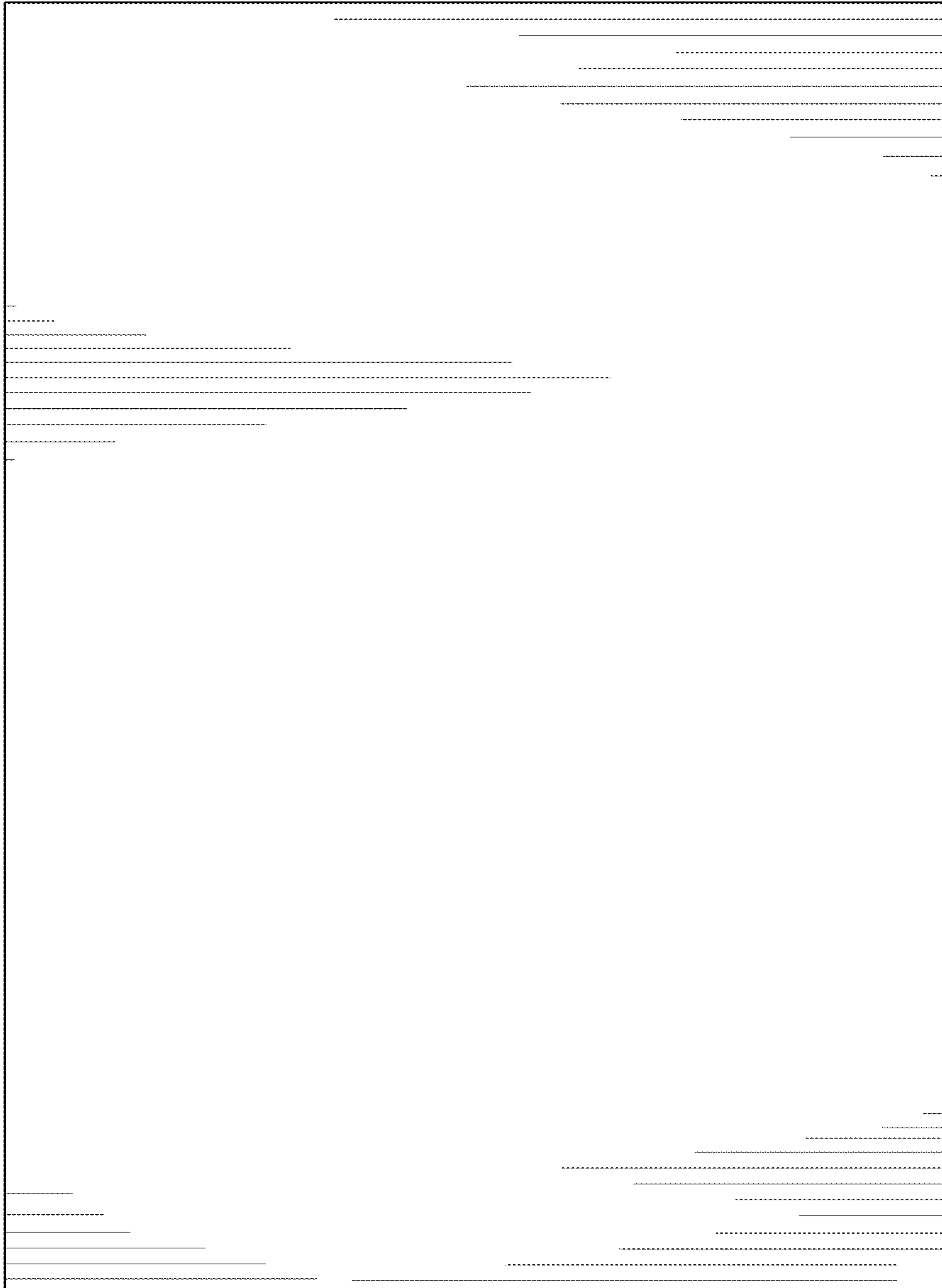
**FIG. 4**



**FIG. 5**

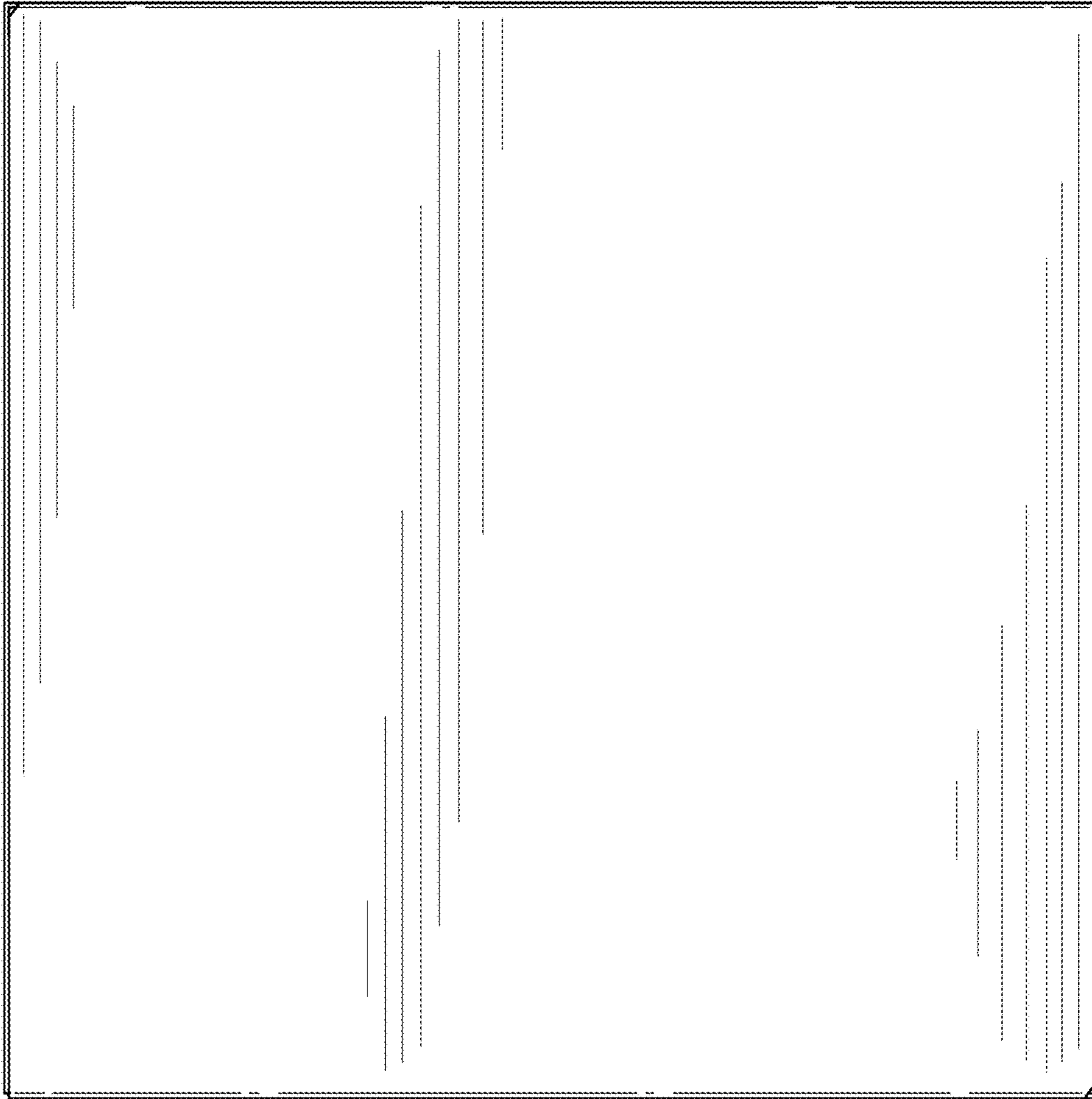


**FIG. 6**

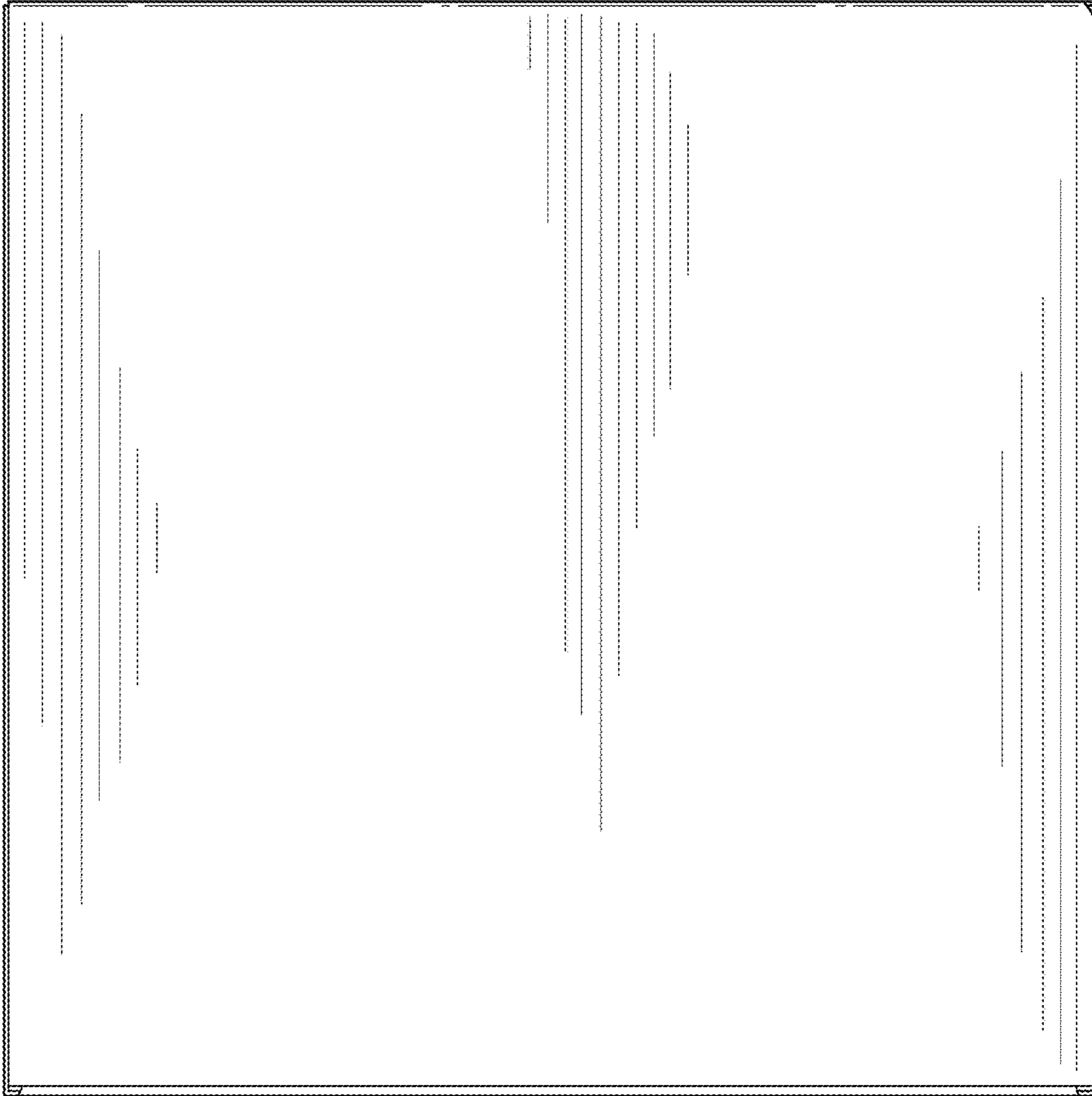


**FIG. 7**





**FIG. 8**



**FIG. 9**