



US00D775518S

(12) **United States Design Patent**
Torres Carpio

(10) **Patent No.:** **US D775,518 S**
(45) **Date of Patent:** **** Jan. 3, 2017**

(54) **TIE FOR PLANT**
(71) Applicant: **A. RAYMOND ET CIE**, Grenoble (FR)
(72) Inventor: **Josep Torres Carpio**, Barcelona (ES)
(73) Assignee: **A. RAYMOND ET CIE**, Grenoble (FR)
(**) Term: **14 Years**
(21) Appl. No.: **29/523,385**
(22) Filed: **Apr. 9, 2015**

4,886,228 A * 12/1989 Kennedy H02G 3/24
24/115 A
D336,221 S * 6/1993 McMahon D22/121
5,409,499 A * 4/1995 Yi A61B 17/122
227/902
D359,726 S * 6/1995 Umeya D13/199
5,497,963 A * 3/1996 Lee F16L 3/24
219/230
5,524,327 A * 6/1996 Mickel F16L 3/00
24/115 A
D408,269 S * 4/1999 Ross D8/356
6,233,869 B1 * 5/2001 Dearo A01G 9/12
24/487
D477,770 S * 7/2003 Baker D8/373
(Continued)

(30) **Foreign Application Priority Data**
Oct. 10, 2014 (EM) 002554527-0001
(51) **LOC (10) Cl.** **08-08**
(52) **U.S. Cl.**
USPC **D8/382; D8/1**
(58) **Field of Classification Search**
USPC D8/1, 3, 368, 372, 383, 394, 395, 396,
D8/499; D11/143, 146, 147
CPC A01G 9/128; A01G 9/12; A01G 17/04;
A01G 17/10; A01G 17/14; Y10T
24/44769
See application file for complete search history.

(56) **References Cited**
U.S. PATENT DOCUMENTS
525,010 A * 8/1894 Fuller A01G 17/06
24/532
D133,536 S * 8/1942 Stoudt D12/159
2,467,604 A * 4/1949 Tinnerman B64C 1/06
24/563
2,844,913 A * 7/1958 Brill, Jr. A01G 1/06
24/3.12
2,968,850 A * 1/1961 Tinnerman A47B 57/56
248/316.7
2,974,383 A * 3/1961 Bright A47G 27/045
24/294

OTHER PUBLICATIONS

FlexTruss: innovative truss support for tomato & cucumber plants—ARaymond AGRICULTURE, image post date Oct. 16, 2014, Site visited on Apr. 30, 2016 (online), <<http://www.araymond-agriculture.com/news/category-2-inside-araymond/1023-araymond-launches-innovative-truss-support-for-tomato-plants>>.*

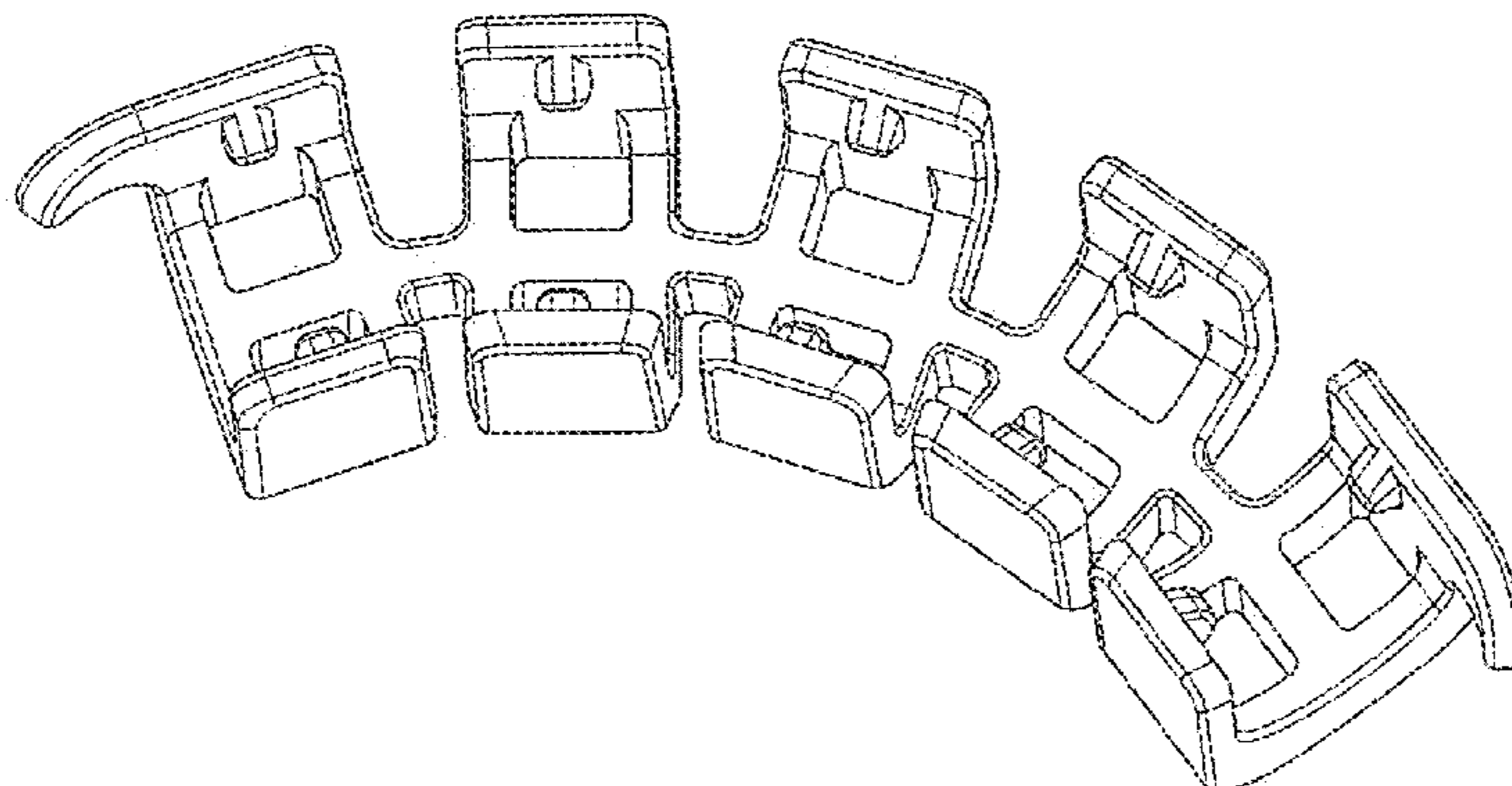
Primary Examiner — Sheryl Lane
Assistant Examiner — Ieisha Price
(74) *Attorney, Agent, or Firm* — Ware, Fressola, Maguire & Barber LLP

(57) **CLAIM**
The ornamental design for tie for plant, as shown and described.

DESCRIPTION

FIG. 1 is a top perspective view of the tie for plant, showing my new design.
FIG. 2 is a second top perspective view thereof.
FIG. 3 is a top view thereof.
FIG. 4 is a bottom perspective view thereof.
FIG. 5 is a bottom view thereof.
FIG. 6 is a right side view thereof; and,
FIG. 7 is a left side perspective view thereof.

1 Claim, 7 Drawing Sheets



(56)

References Cited

U.S. PATENT DOCUMENTS

D497,793 S * 11/2004 Votypka D8/356
6,814,486 B2 * 11/2004 Sidoni G01K 1/143
374/147
D562,122 S * 2/2008 Lemman D23/386
8,955,679 B2 * 2/2015 Kodi E04C 5/167
206/340
2001/0044992 A1 * 11/2001 Jahrling A47B 55/02
24/563
2005/0044786 A1 * 3/2005 Mastronardi A01G 9/128
47/47
2014/0373310 A1 * 12/2014 Leo, II F16B 2/22
24/129 R

* cited by examiner

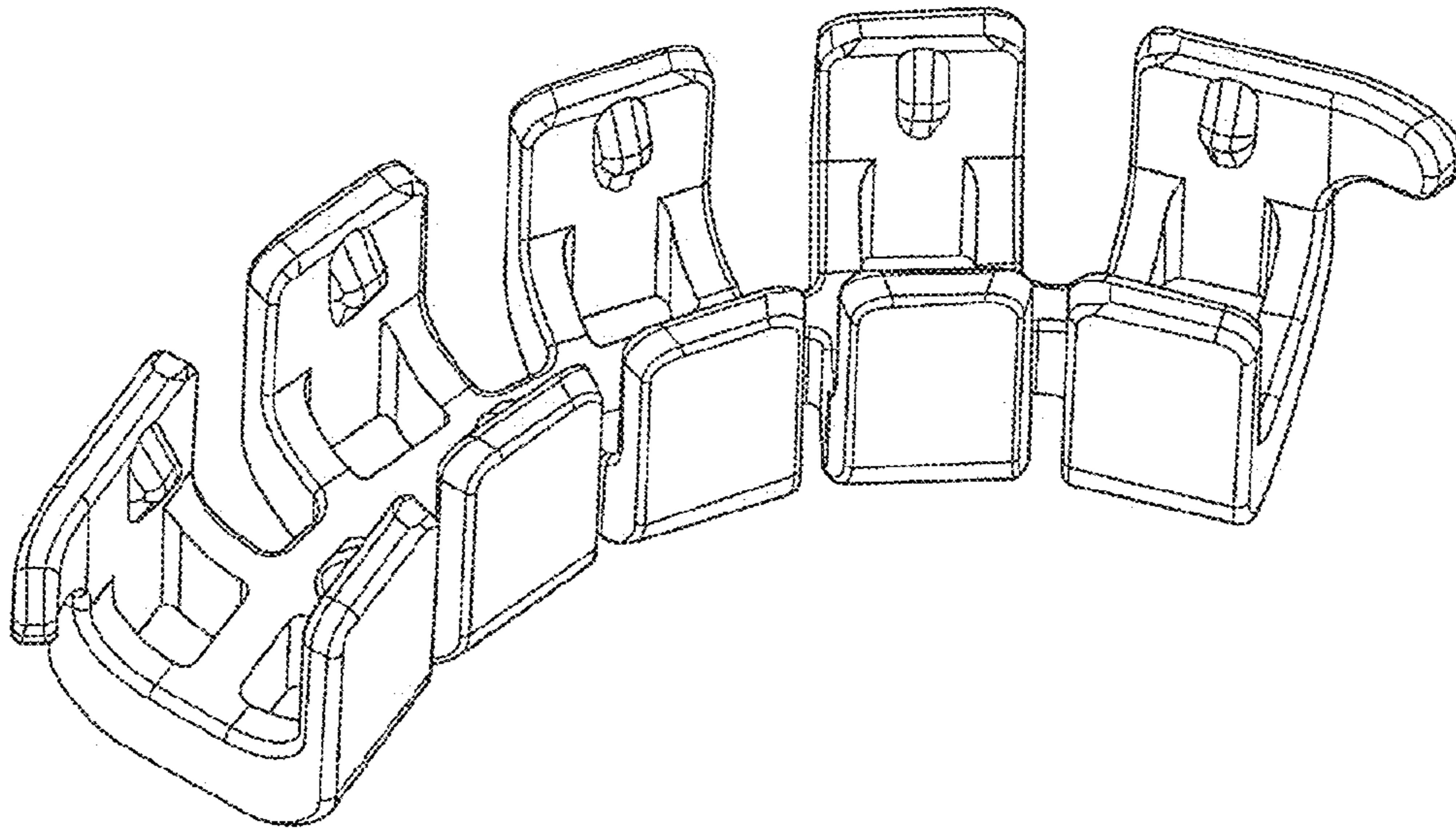


Fig. 1

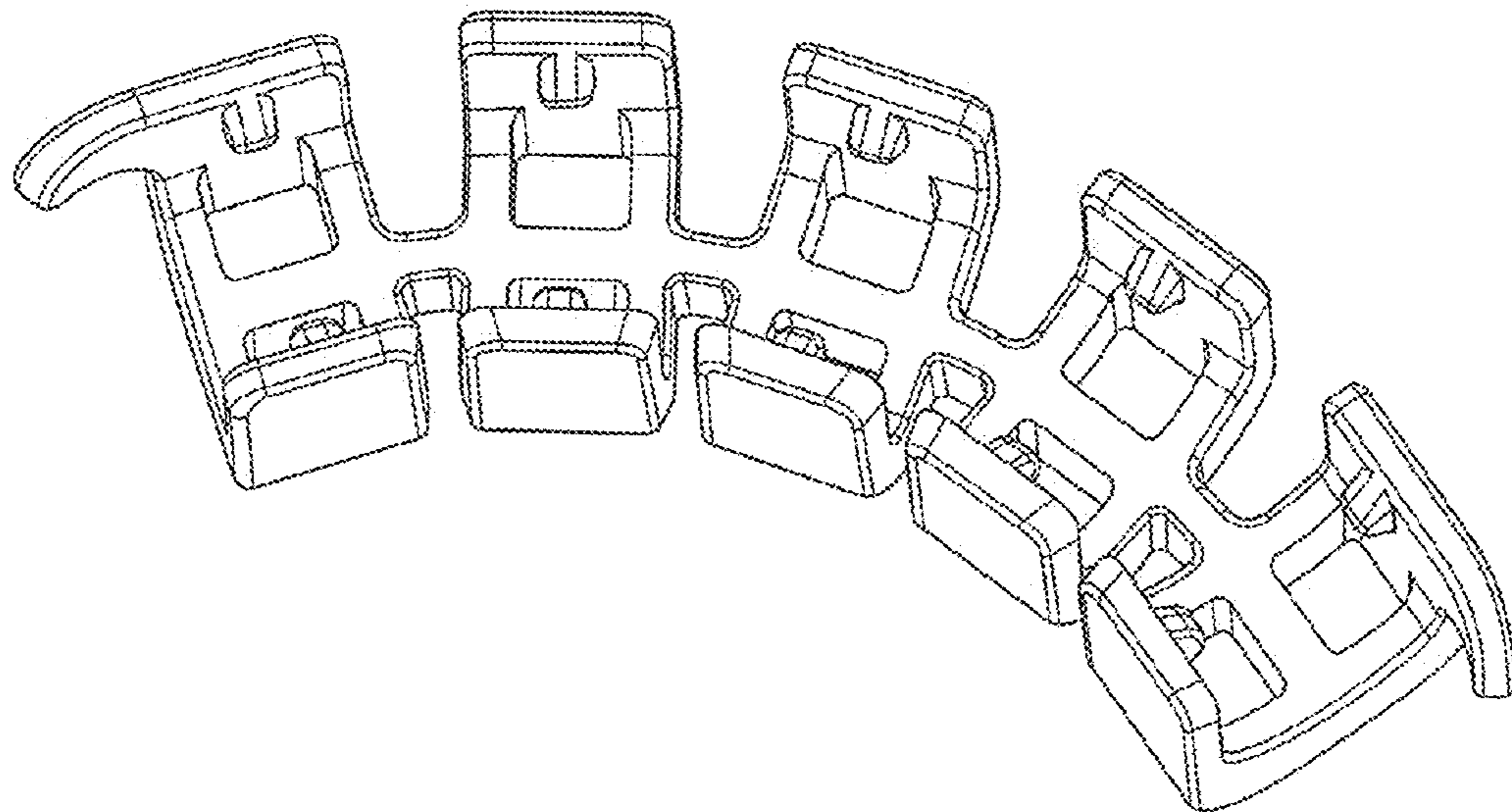


Fig. 2

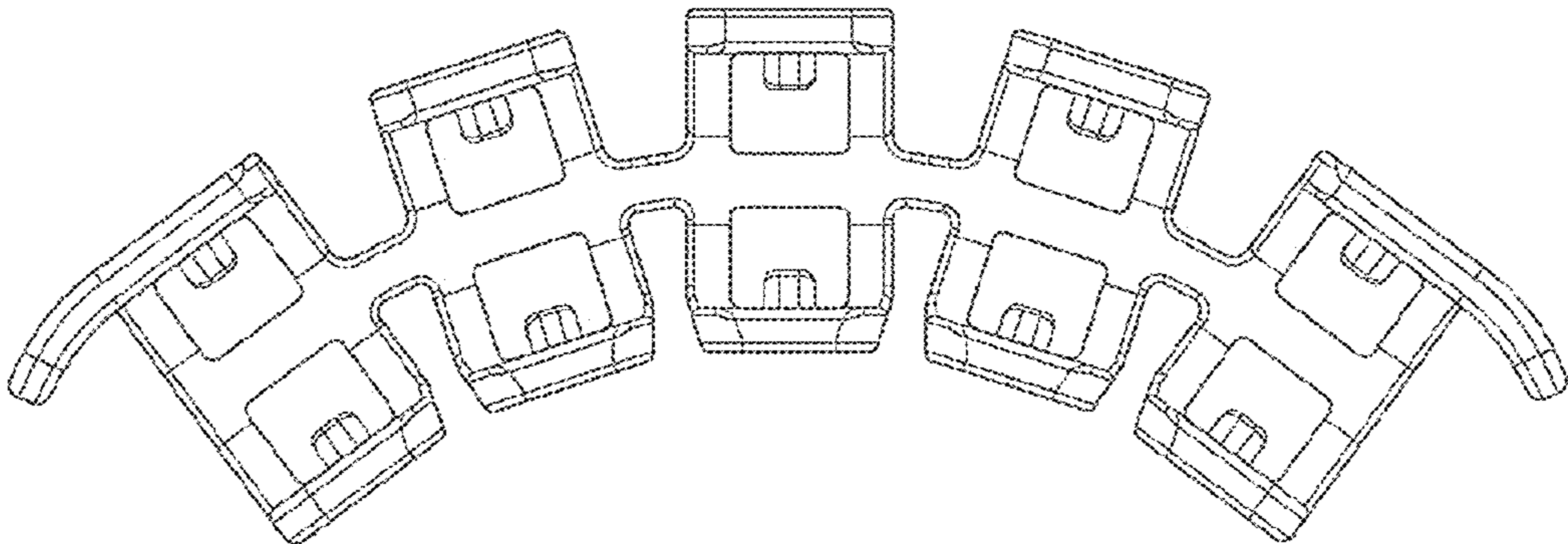


Fig. 3

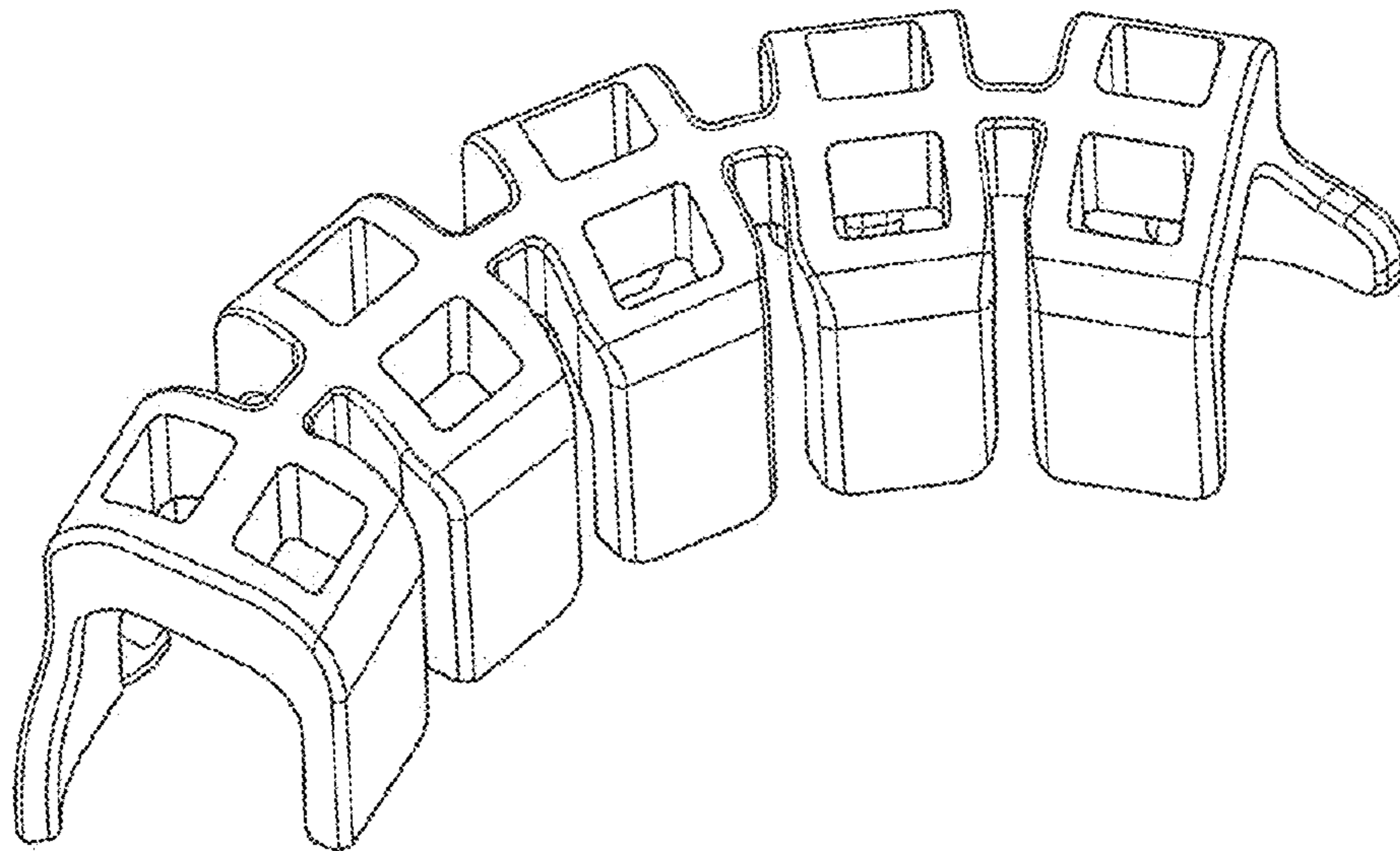


Fig. 4

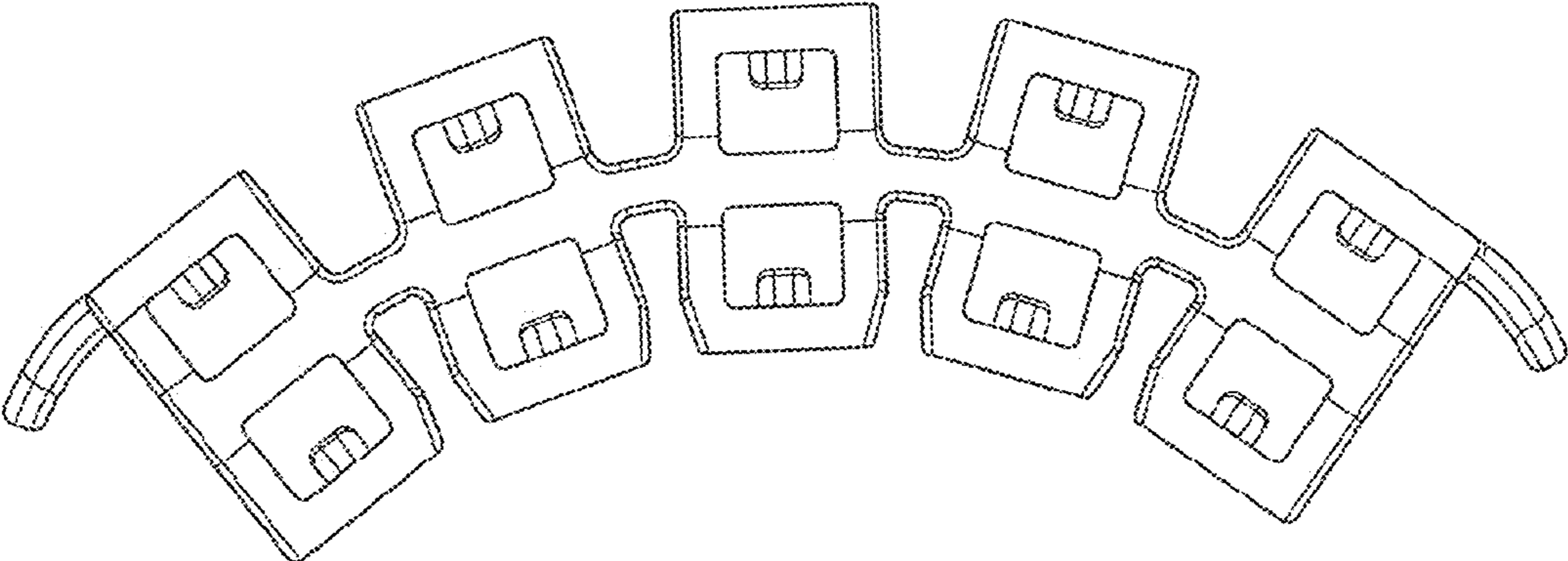


Fig. 5

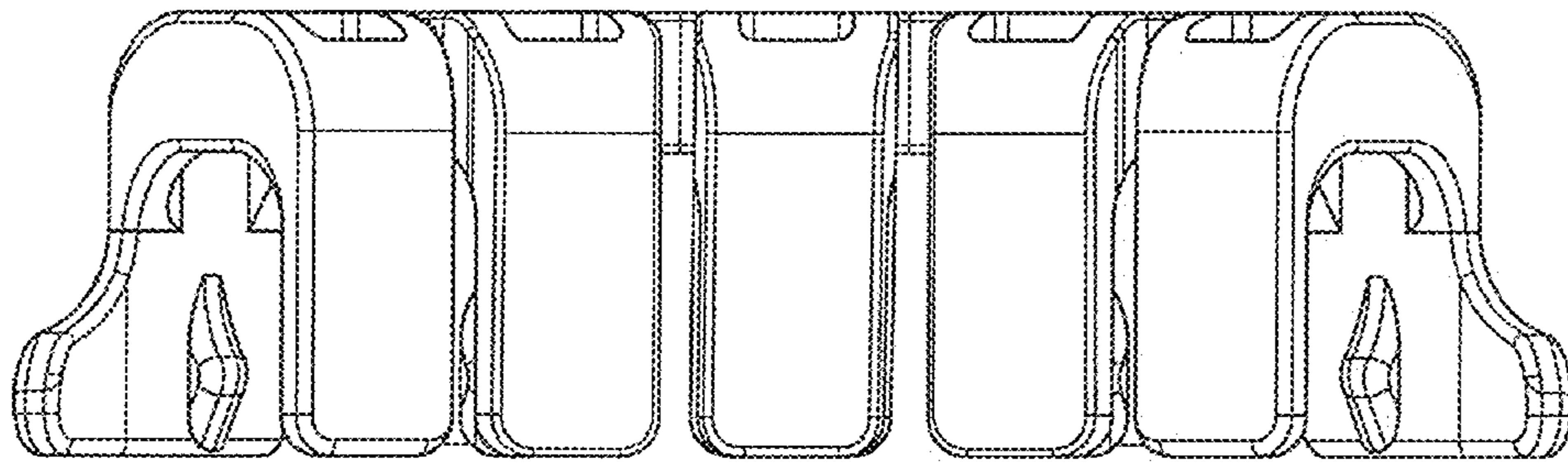


Fig. 6

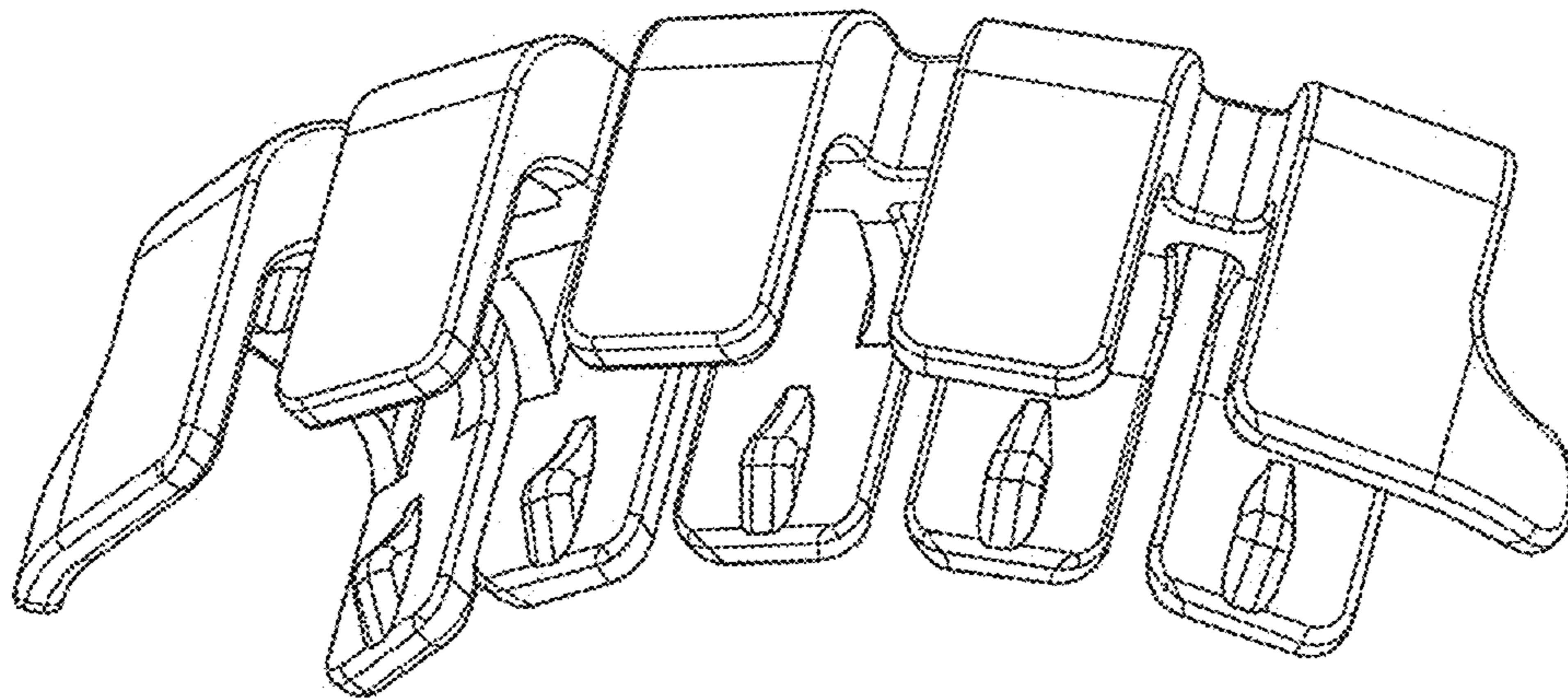


Fig. 7