



US00D775517S

(12) **United States Design Patent**
Votel et al.

(10) **Patent No.:** **US D775,517 S**
(45) **Date of Patent:** **** Jan. 3, 2017**

(54) **COIL LANYARD**
(71) Applicant: **Tenacious Holdings, Inc.**, St. Paul, MN (US)
(72) Inventors: **Thomas Votel**, Sunfish Lake, MN (US);
Nate Bohmbach, Lakeville, MN (US)
(73) Assignee: **Tenacious Holdings, Inc.**, St. Paul, MN (US)
(**) Term: **14 Years**
(21) Appl. No.: **29/516,684**

5,785,221 A * 7/1998 Bishop A45F 5/02
206/38
6,000,103 A 12/1999 Paice et al.
6,227,015 B1 * 5/2001 Luquire E05B 37/025
24/598.1
6,530,131 B1 * 3/2003 Hopkins A45F 5/00
24/3.13
D530,671 S * 10/2006 Reed D13/147
7,320,159 B2 * 1/2008 Petzl F16B 45/02
24/599.5
D615,393 S * 5/2010 Cunningham, Jr. D8/394
8,060,994 B2 * 11/2011 Petzl F16B 45/02
24/599.9
8,146,785 B2 4/2012 Pruitt
D706,123 S 6/2014 Mathews et al.
(Continued)

(22) Filed: **Feb. 5, 2015**
(51) **LOC (10) Cl.** **08-08**
(52) **U.S. Cl.**
USPC **D8/382**
(58) **Field of Classification Search**
USPC D8/382, 383, 394, 349, 399; D29/101.1,
D29/122, 129
CPC A45F 2005/006; A45F 5/00; A45F 5/02;
A45F 5/021; A45F 2005/025; A45F
2005/027; A45F 2200/0575; A01K
27/005; B66C 1/36; F16B 45/00
See application file for complete search history.

OTHER PUBLICATIONS

Website: http://www.alltackle.com/donmar_pliers.htm, from Way Back Machine, Aug. 2010, 1 page.
(Continued)

Primary Examiner — Sandra Snapp
Assistant Examiner — Ieisha Price
(74) *Attorney, Agent, or Firm* — Skaar Ulbrich Macari, P.A.

(57) **CLAIM**

The ornamental design for a coil lanyard, as shown and described.

DESCRIPTION

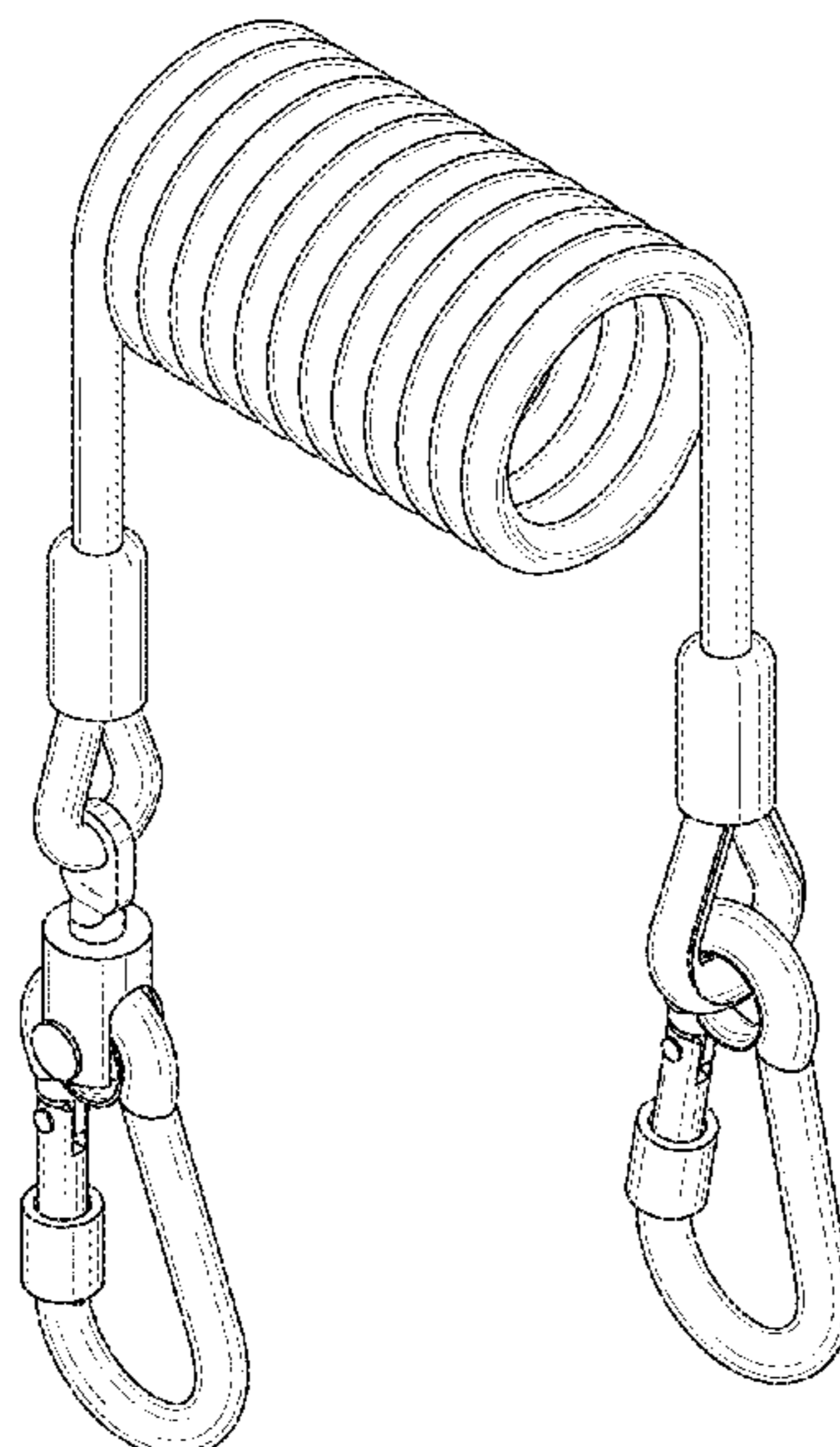
FIG. 1 is a perspective of our coil lanyard.
FIG. 2 is a front elevation view thereof.
FIG. 3 is a rear elevation view thereof.
FIG. 4 is a left side elevation view thereof.
FIG. 5 is a right side elevation view thereof.
FIG. 6 is a top plan view thereof; and,
FIG. 7 is a bottom plan view thereof.

1 Claim, 6 Drawing Sheets

(56) **References Cited**

U.S. PATENT DOCUMENTS

750,782 A 1/1904 Ramsey
1,179,576 A 4/1916 Sundh
1,886,726 A * 11/1932 Pennefather B66C 1/36
24/600.4
2,994,300 A 8/1961 Grahling
3,908,875 A 9/1975 Wilson et al.
5,154,324 A * 10/1992 Stratford A61D 7/00
222/175
5,332,071 A 7/1994 Duncan
5,600,873 A 2/1997 May



(56)

References Cited

U.S. PATENT DOCUMENTS

2003/0213823 A1* 11/2003 Papovitch A45F 5/02
224/254
2004/0200436 A1* 10/2004 Staack A01K 1/04
119/792
2006/0225253 A1* 10/2006 Bates A45F 5/02
24/3.13
2006/0261113 A1* 11/2006 Godshaw A01K 97/00
224/576
2009/0127302 A1* 5/2009 Pruitt B25B 23/00
224/219
2010/0005632 A1* 1/2010 Pigozzi A44B 11/266
24/3.13
2010/0147912 A1* 6/2010 Salentine A45F 5/02
224/254
2011/0119800 A1* 5/2011 Garrido A41D 13/0012
2/2.15
2013/0148295 A1* 6/2013 Minn G06F 1/163
361/679.59

OTHER PUBLICATIONS

Website: <http://toolsforstagecraft.com/n317.htm>, from Way Back Machine, Apr. 2010, 1 page.

Website: <http://seavenger.com/heavy-duty-double-stainless-steel-clips-with-wire-reinforced-p-513.html>, from Way Back search, Nov. 2009, 1 page.

Website: <http://www.toollanyardsbagsandbelts.com/spiral-tool-lan-yard-swivels.html>, from Way Back Machine, Oct. 2011, 1 page.

Photo of Ergodyne Squids, Model #3130S, on sale at least one year prior to Feb. 5, 2015, 1 page.

* cited by examiner

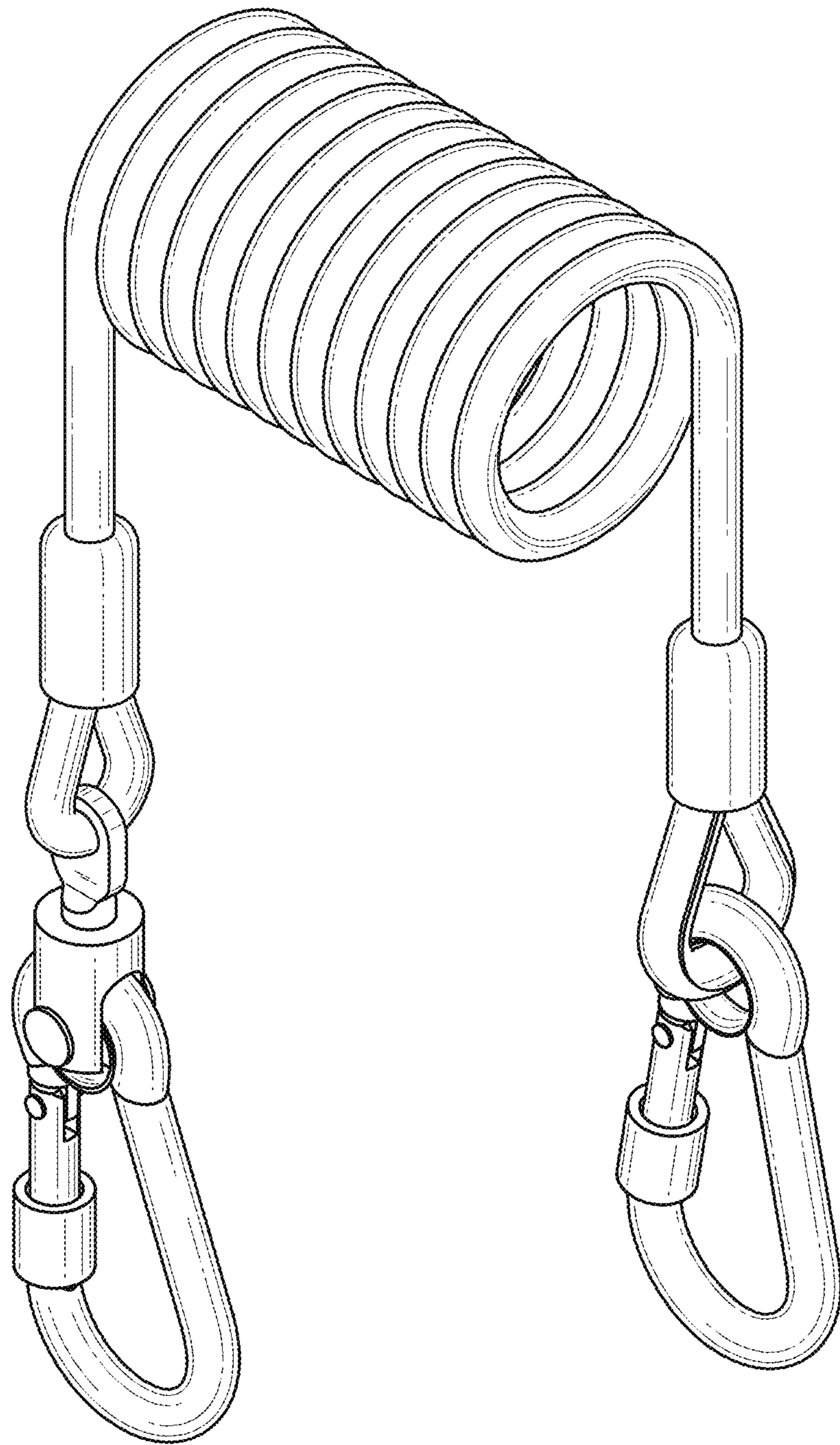


Fig. 1

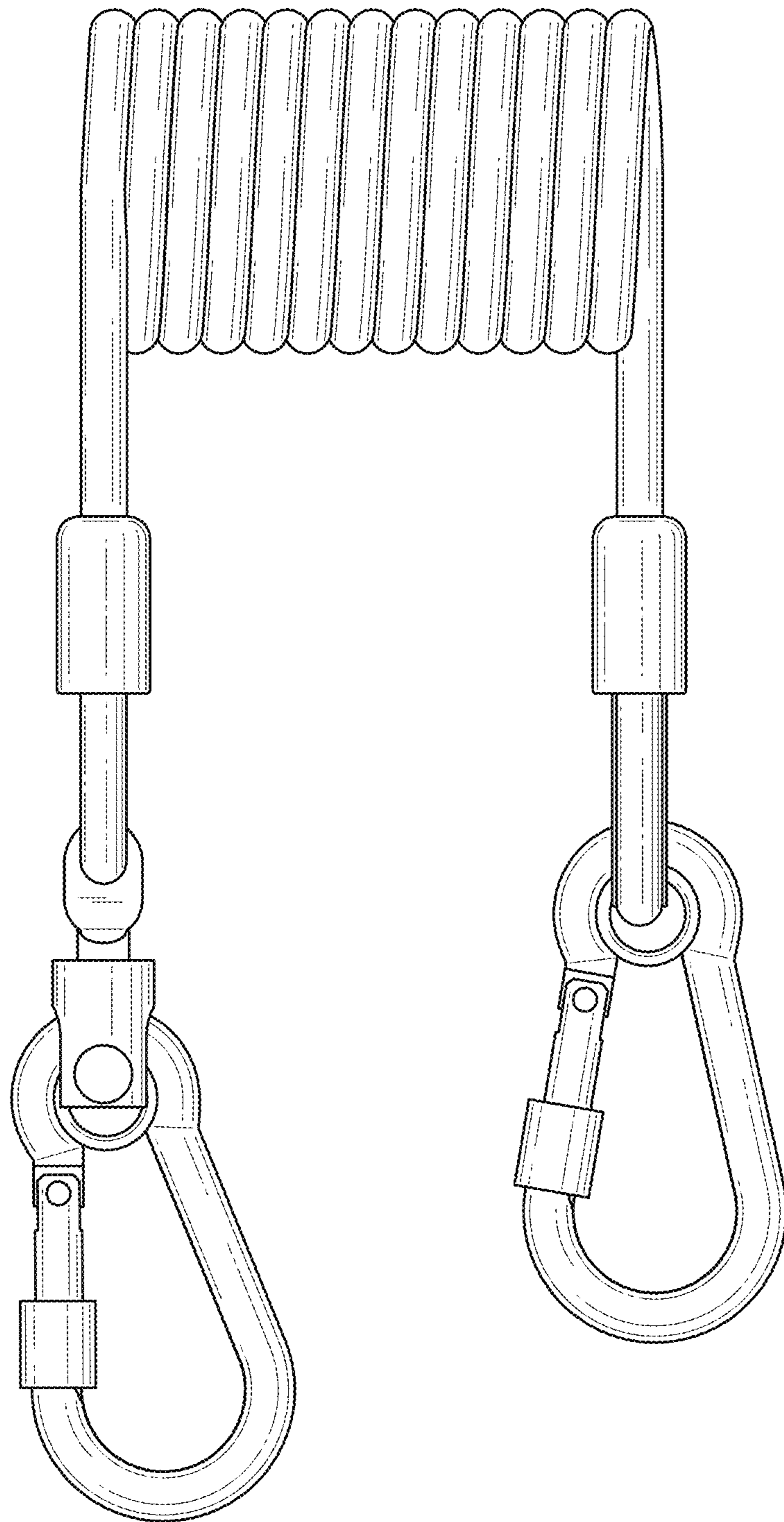


Fig. 2

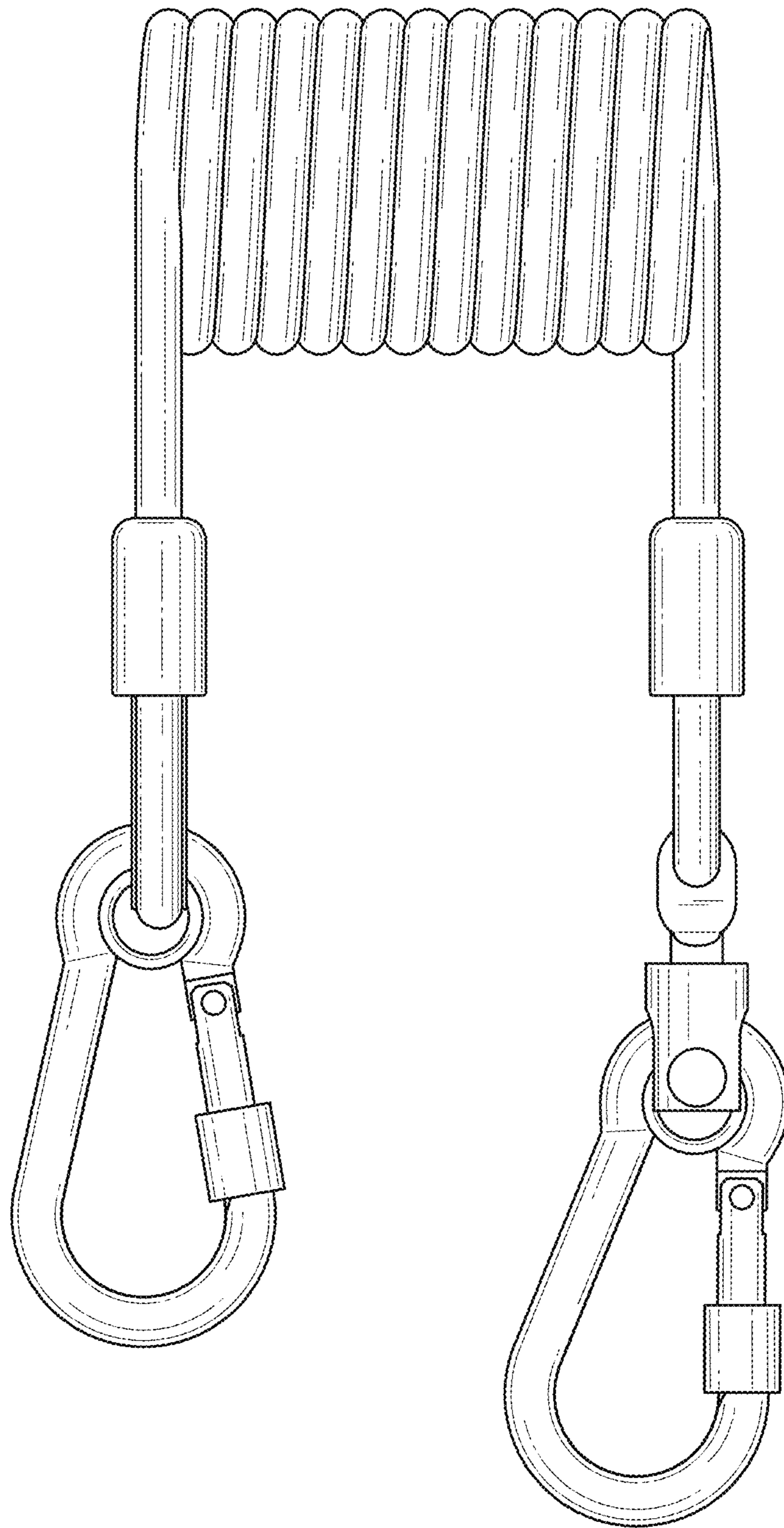


Fig. 3

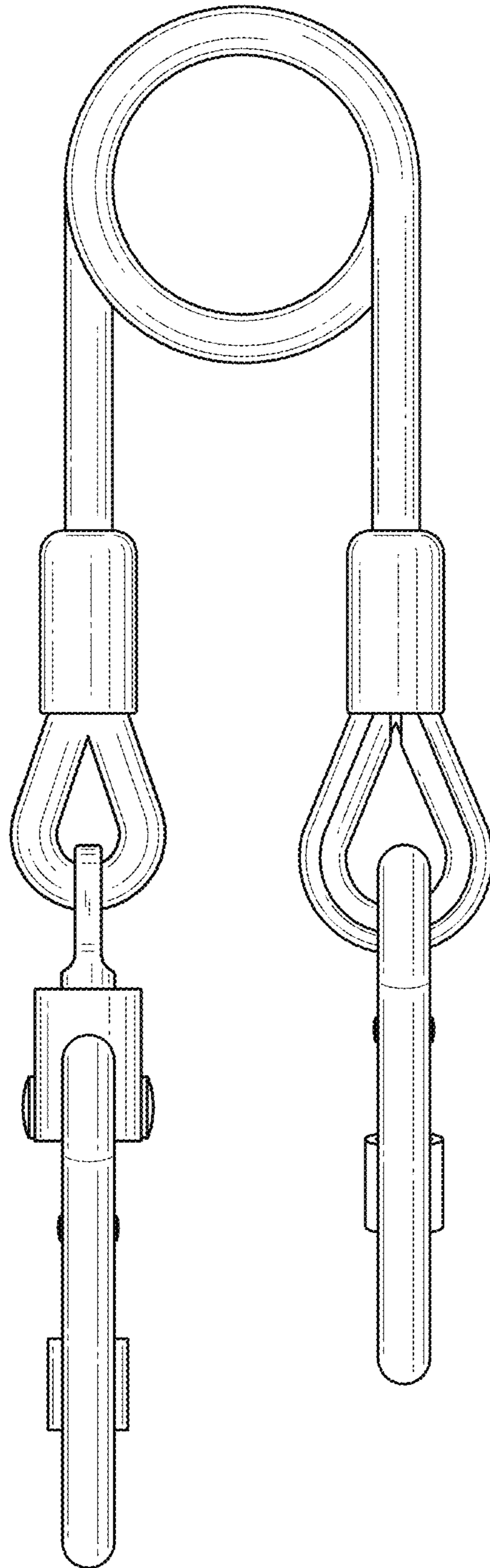


Fig. 4

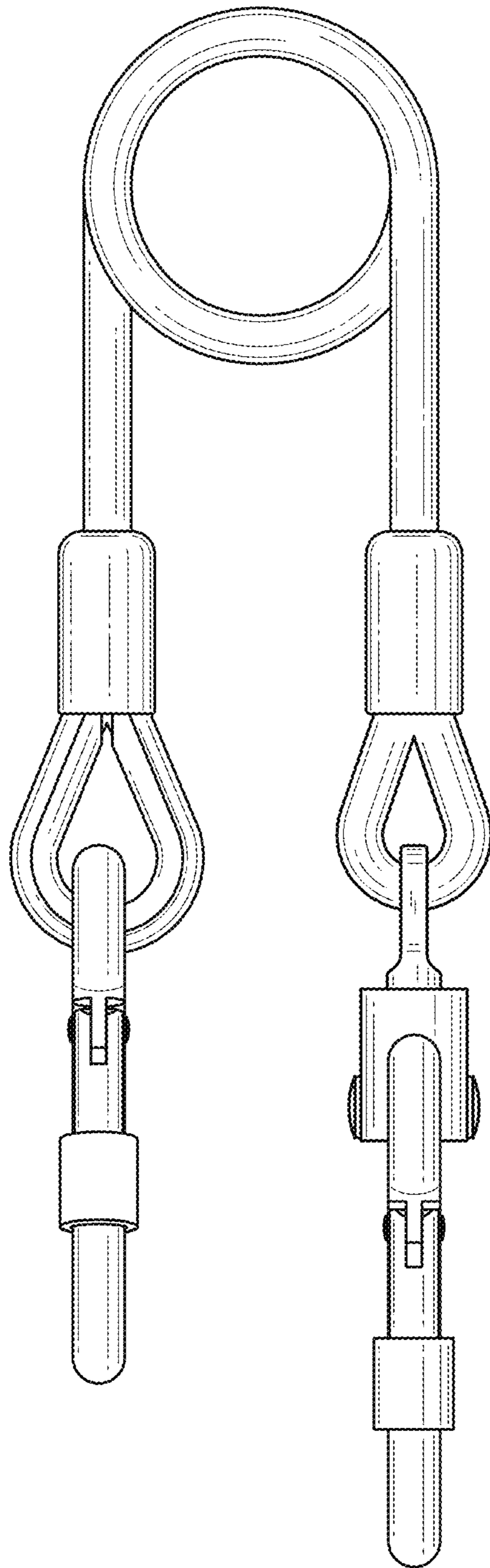


Fig. 5

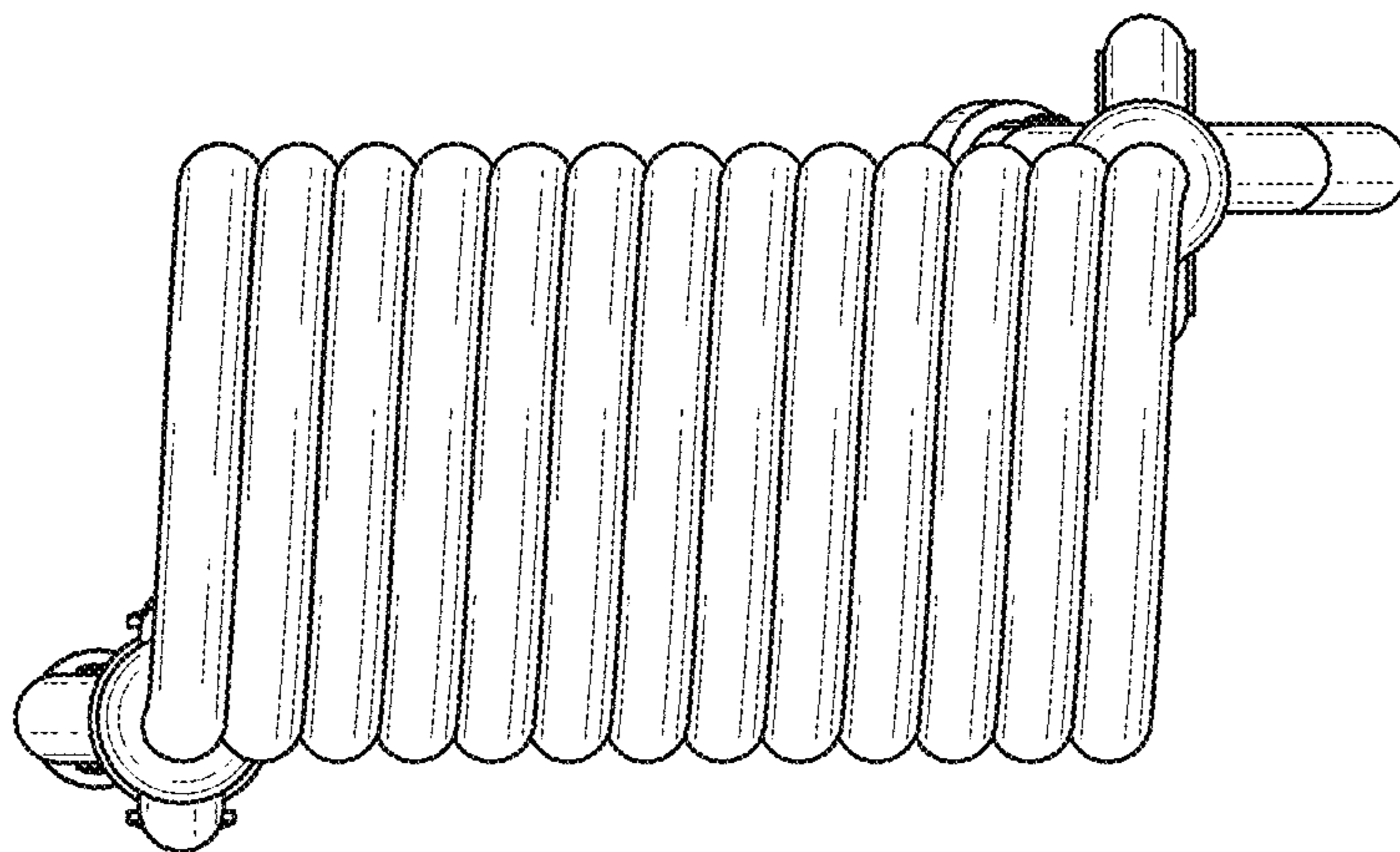


Fig. 6

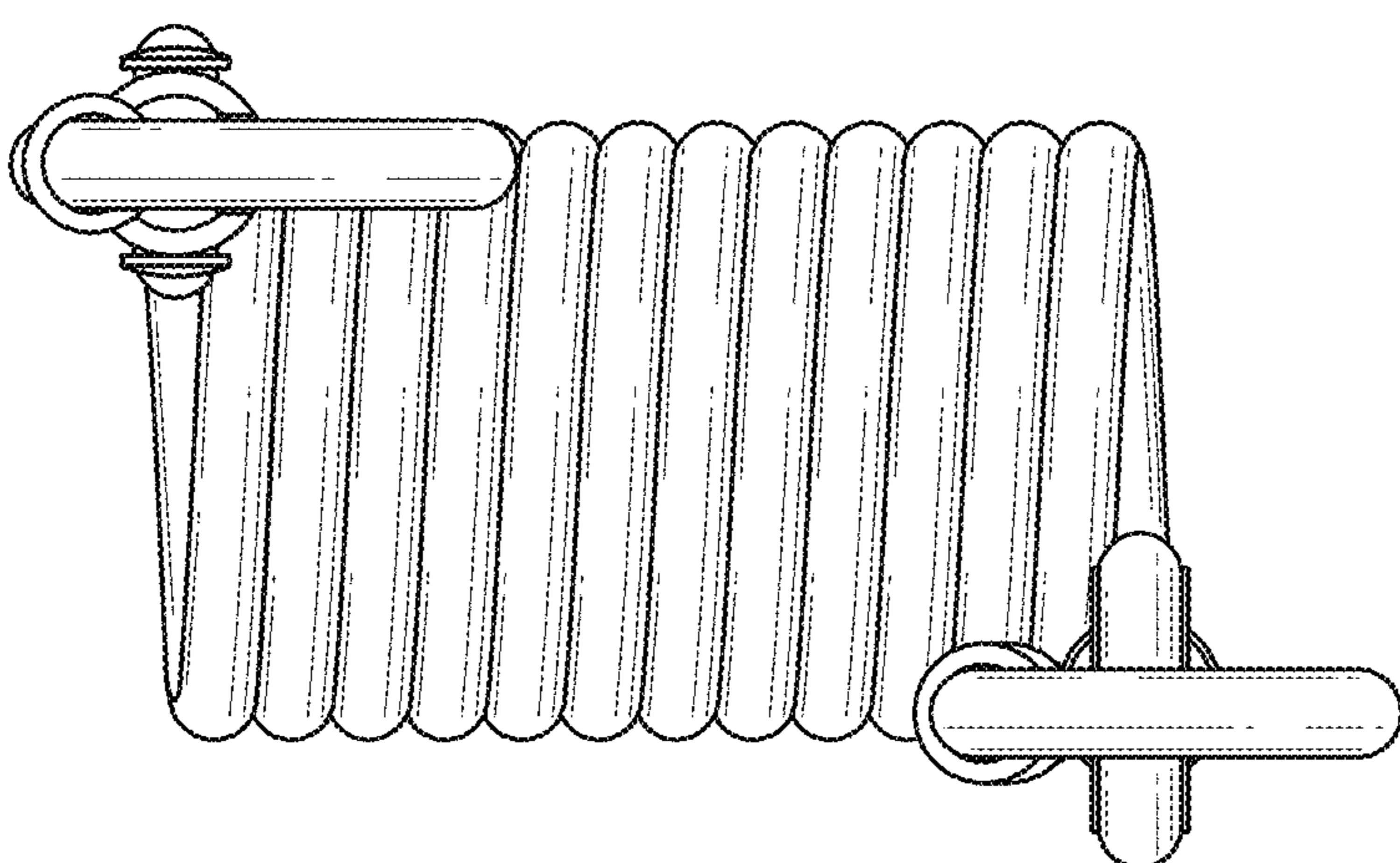


Fig. 7