



US00D775516S

(12) **United States Design Patent** (10) **Patent No.:** **US D775,516 S**
Honda (45) **Date of Patent:** **** Jan. 3, 2017**

(54) **LATERAL DISPLACEMENT PREVENTING MEMBER**

(71) Applicant: **NICHIHA CORPORATION**, Nagoya-shi, Aichi (JP)

(72) Inventor: **Takashi Honda**, Nagoya (JP)

(73) Assignee: **NICHIHA CORPORATION**, Nagoya-Shi (JP)

(**) Term: **14 Years**

(21) Appl. No.: **29/512,952**

(22) Filed: **Dec. 23, 2014**

(51) **LOC (10) Cl.** **08-08**

(52) **U.S. Cl.**
USPC **D8/382**

(58) **Field of Classification Search**
USPC D8/349, 354, 402, 499, 380, 382, 373, D8/381; D25/119, 125
CPC E04F 13/0828; E04F 13/0826; E04F 13/0816; E04F 13/0846; E04F 13/0848; E04F 13/12; E04F 13/0891; E04F 13/0875; E04F 13/08
See application file for complete search history.

(56) **References Cited**

U.S. PATENT DOCUMENTS

1,693,438 A * 11/1928 Goodell E04F 13/12
52/275
3,477,187 A * 11/1969 Fruman E04F 13/0803
52/346
6,189,273 B1 * 2/2001 Larson E04F 13/06
52/255
D445,019 S * 7/2001 Vitetta D8/349
6,430,885 B1 * 8/2002 Ito E04F 13/0812
52/235

9,021,767 B1 * 5/2015 Barrett, Jr. E04F 13/0826
248/300
D760,578 S * 7/2016 Sigona D8/349
D761,971 S * 7/2016 Apanovich D25/119
D762,310 S * 7/2016 Apanovich D25/119
D766,195 S * 9/2016 Brandt D13/173
D767,382 S * 9/2016 Libreiro D25/119
D767,786 S * 9/2016 Smith D25/119
2002/0095889 A1 * 7/2002 Hikai E04F 13/0826
52/235
2013/0000238 A1 * 1/2013 Minami E04F 13/0828
52/483.1

FOREIGN PATENT DOCUMENTS

JP 1415995 6/2011

* cited by examiner

Primary Examiner — Sandra Snapp

Assistant Examiner — Ieisha Price

(74) *Attorney, Agent, or Firm* — Birch, Stewart, Kolasch & Birch, LLP

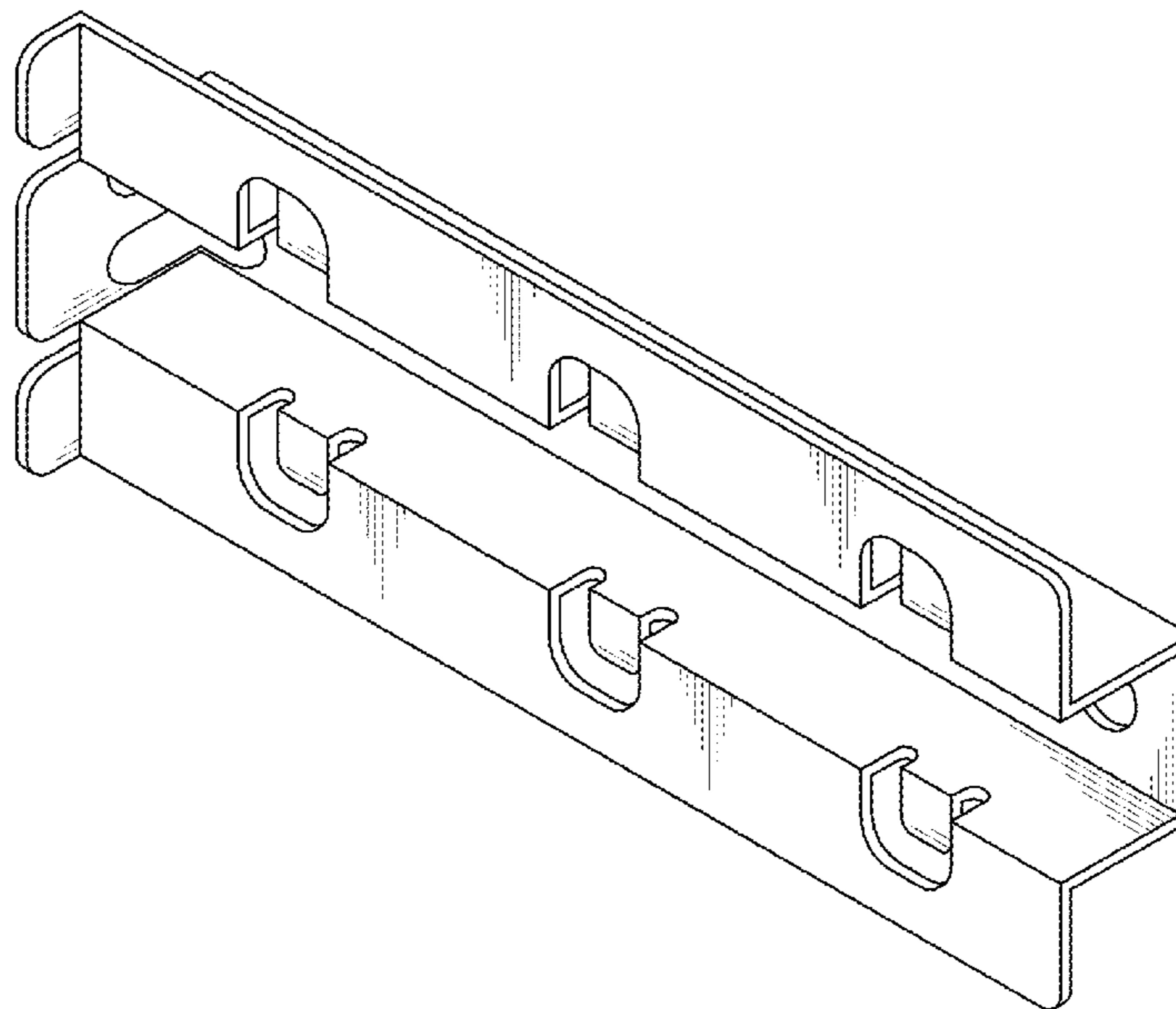
(57) **CLAIM**

The ornamental design for a lateral displacement preventing member, as shown and described.

DESCRIPTION

FIG. 1 is a front view of a lateral displacement preventing member showing my new design;
FIG. 2 is a back view thereof;
FIG. 3 is a top view thereof;
FIG. 4 is a bottom view thereof;
FIG. 5 is a right side view thereof;
FIG. 6 is a left side view thereto; and,
FIG. 7 is a front, right perspective view thereof.

1 Claim, 7 Drawing Sheets



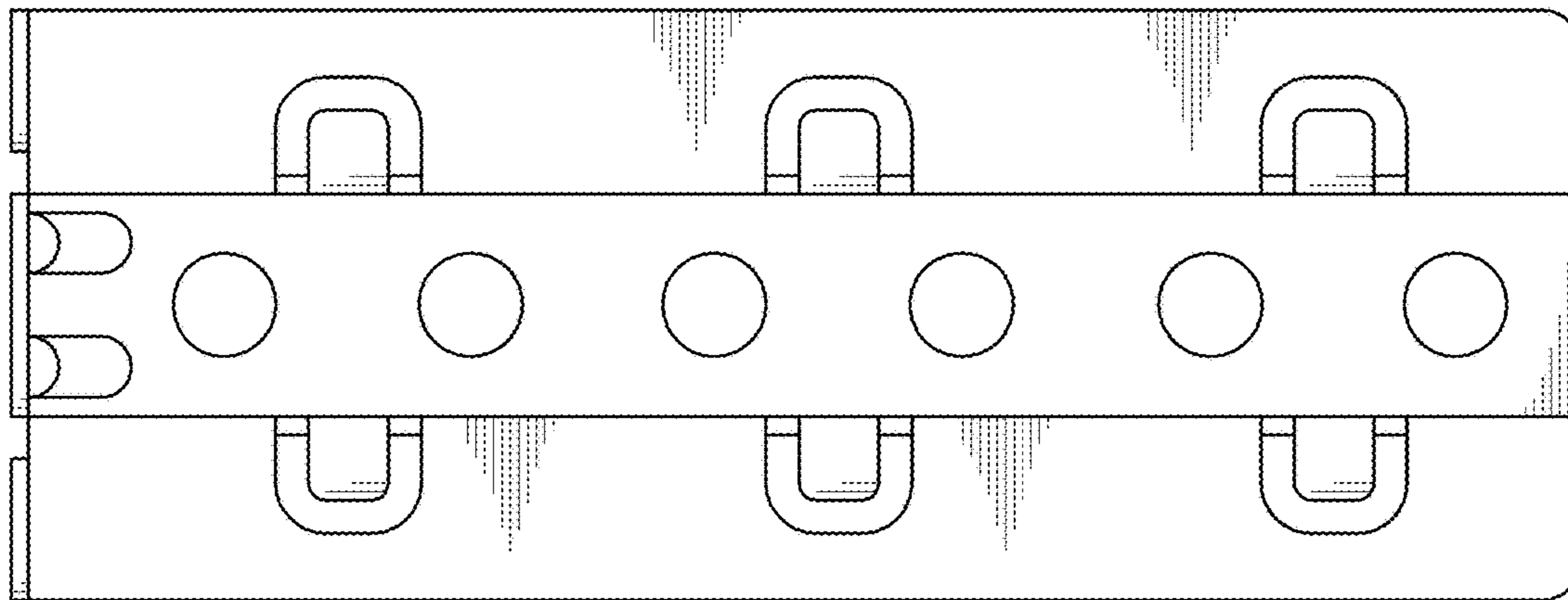


FIG.1

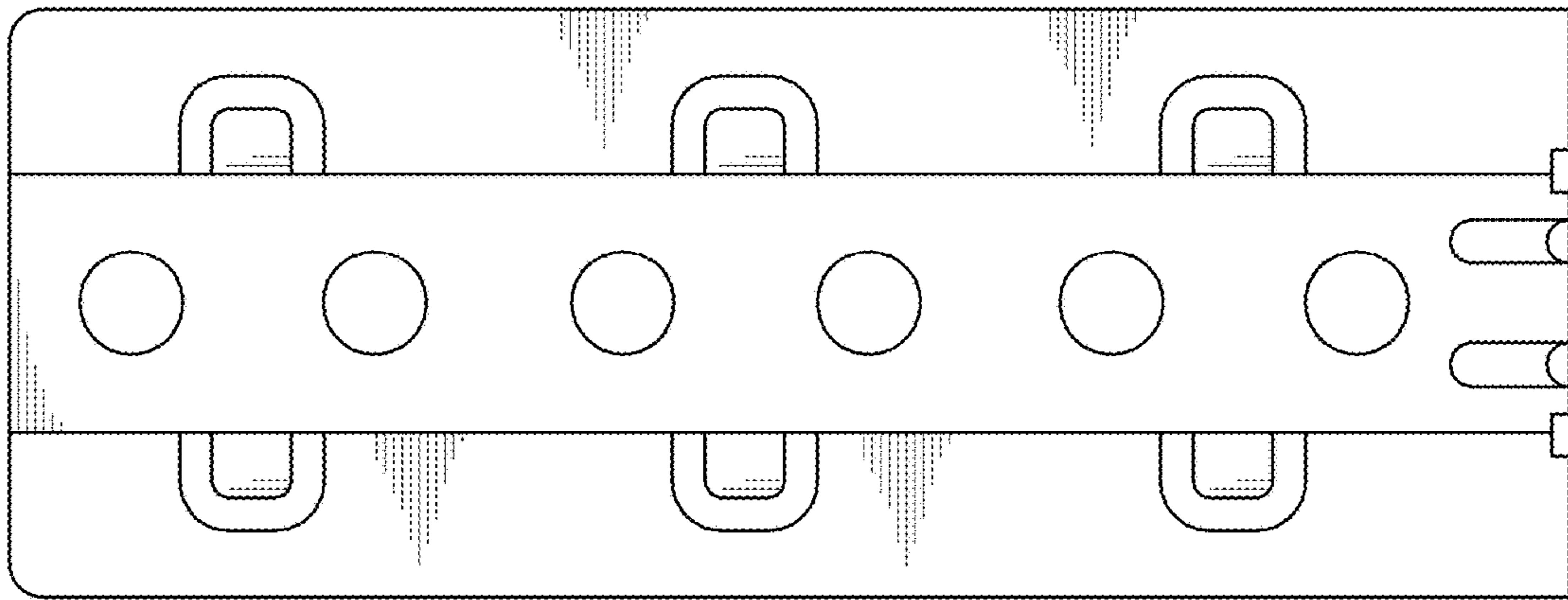


FIG.2

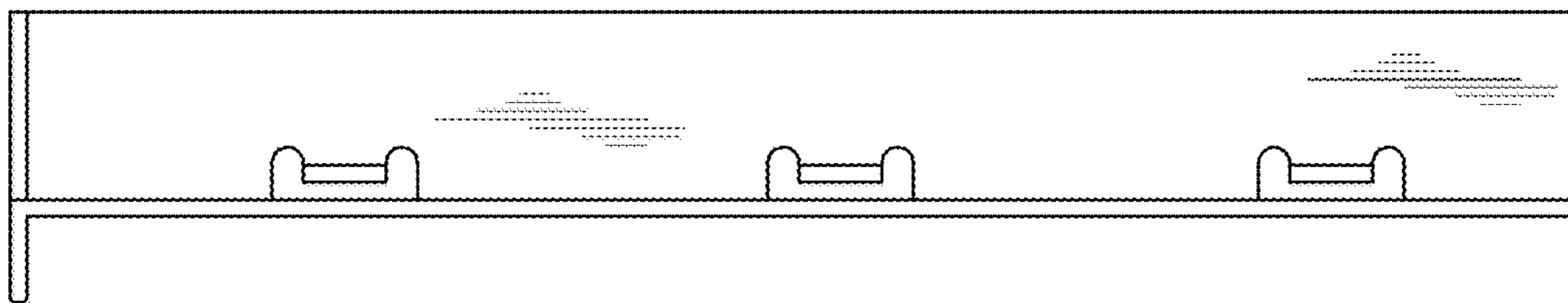


FIG.3

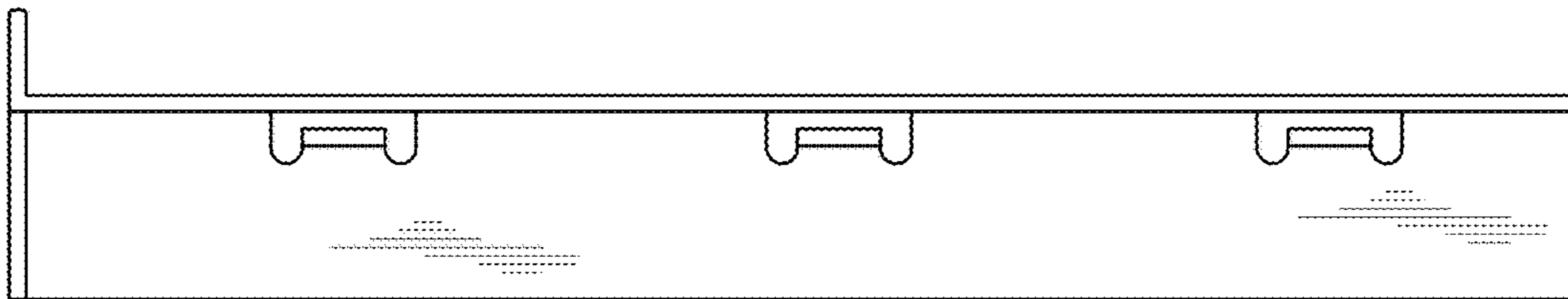


FIG.4

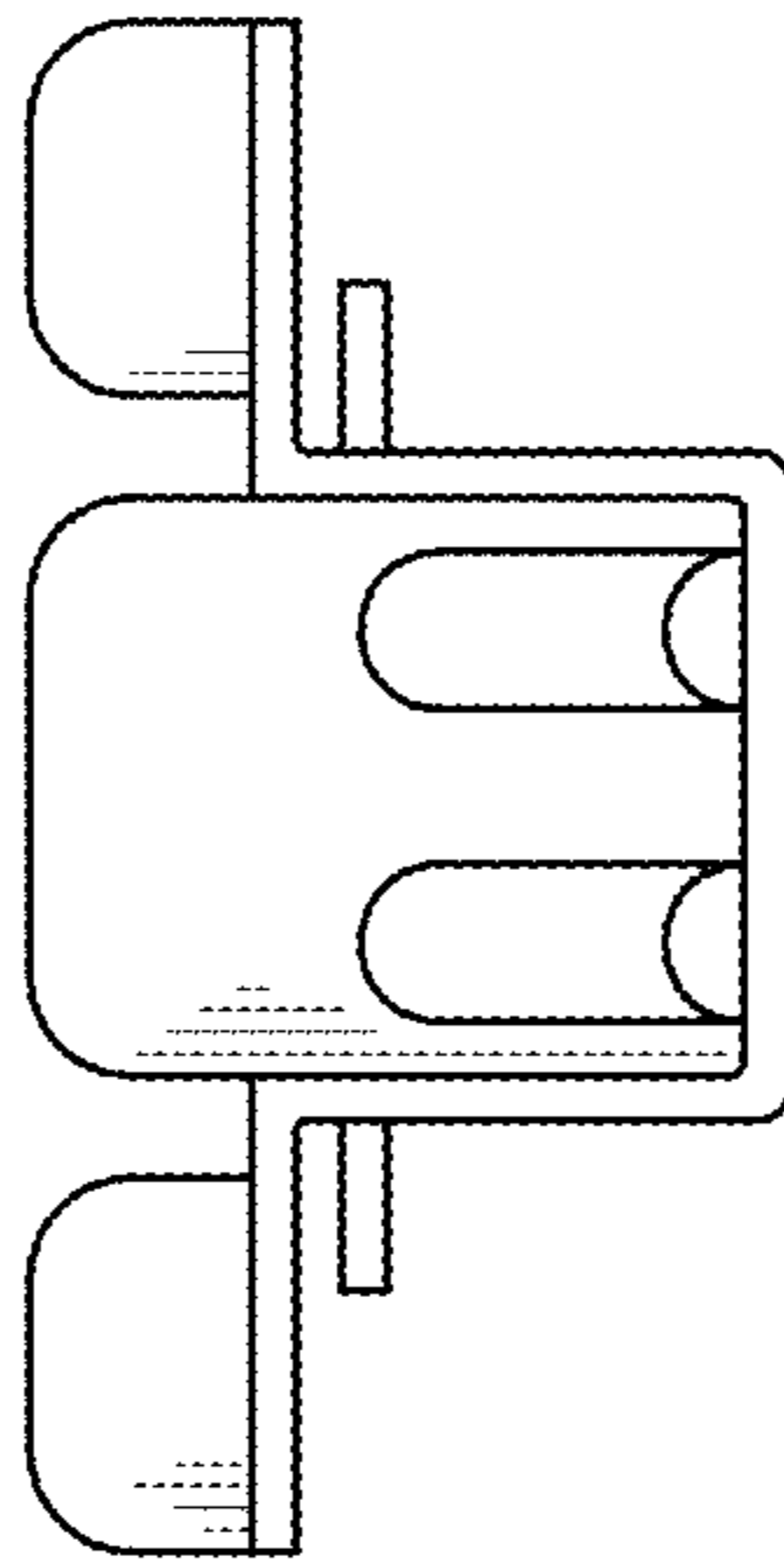


FIG.5

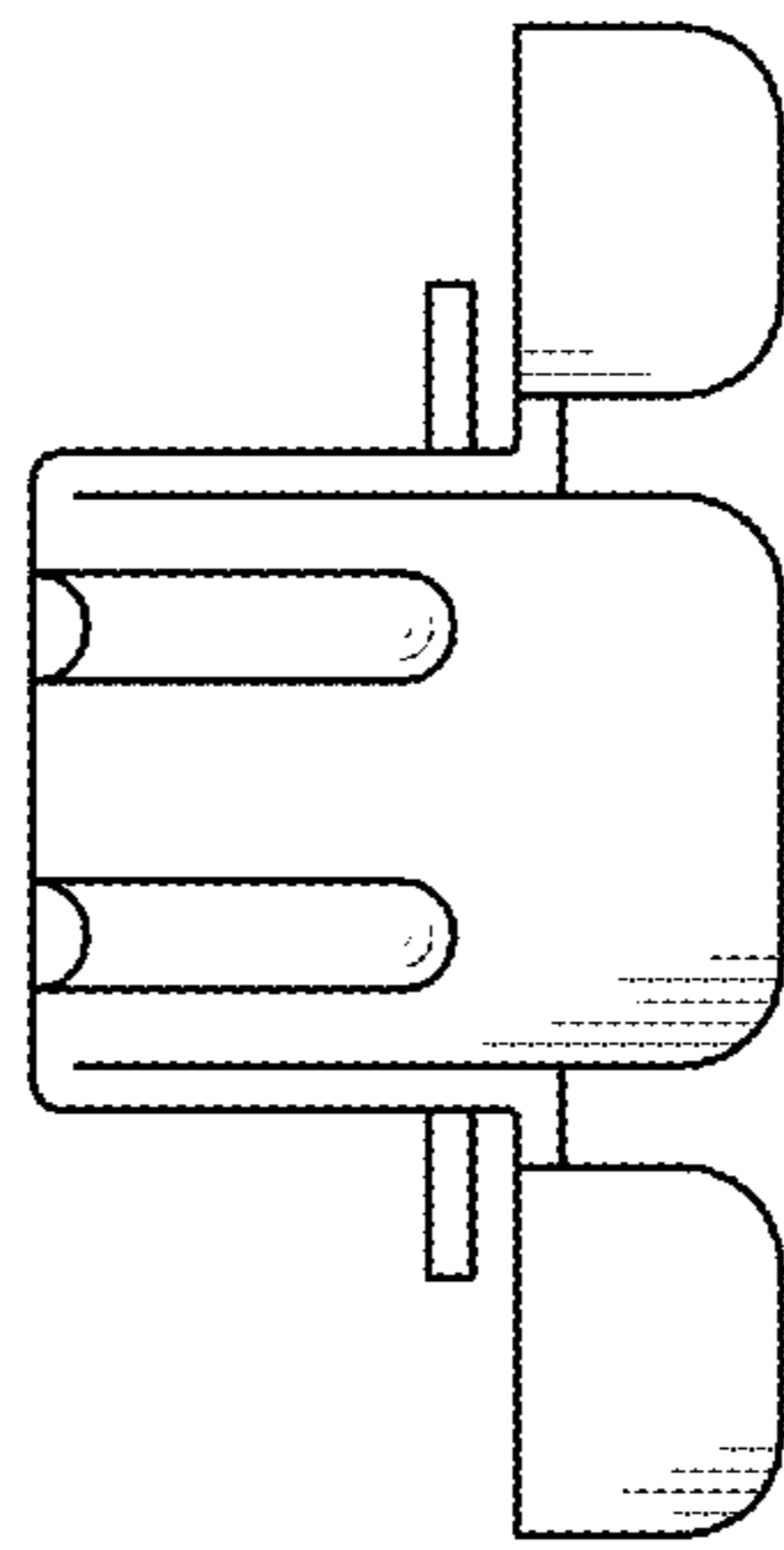


FIG.6

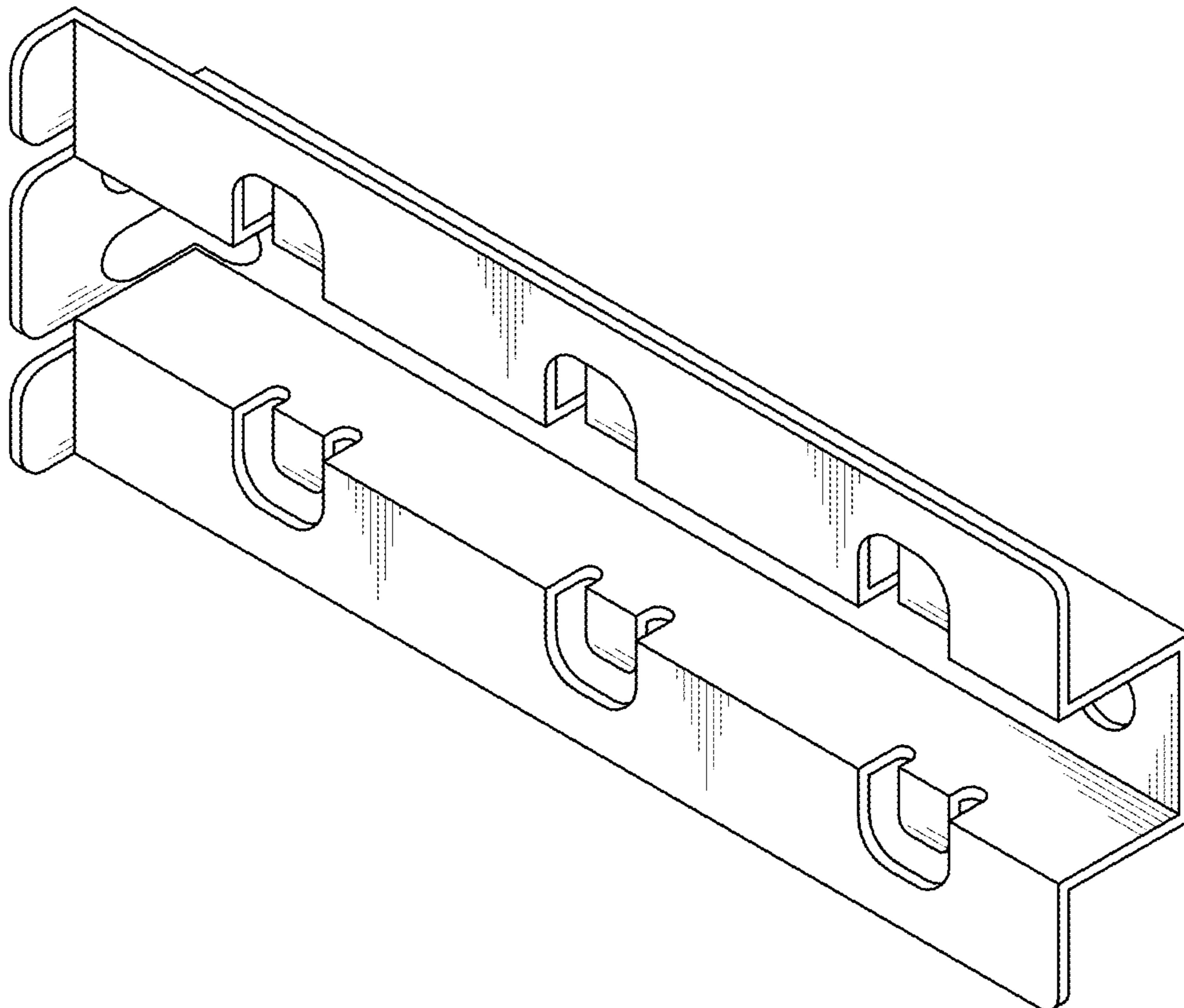


FIG.7